



US00D691437S

(12) **United States Design Patent**  
**Dewson**

(10) **Patent No.:** **US D691,437 S**  
(45) **Date of Patent:** **\*\* Oct. 15, 2013**

(54) **STRING TRIMMER**

(75) Inventor: **Lee Dewson**, Liverpool (GB)

(73) Assignee: **Chervon Limited**, Wanchai (HK)

(\*\*) Term: **14 Years**

(21) Appl. No.: **29/386,634**

(22) Filed: **Mar. 3, 2011**

(30) **Foreign Application Priority Data**

Sep. 3, 2010 (CN) ..... 2010 3 0501384

(51) **LOC (9) Cl.** ..... **08-01**

(52) **U.S. Cl.**  
USPC ..... **D8/8**

(58) **Field of Classification Search**  
USPC ..... D8/7, 8, 9, 1; 30/216, 208, 276, 228,  
30/382, 383, 346, 347, 346.55; 56/12.7,  
56/233-237, 295, DIG. 17, 20; 172/15  
See application file for complete search history.

(56) **References Cited**

**U.S. PATENT DOCUMENTS**

5,263,303 A \* 11/1993 Stroud ..... 56/12.7  
D372,405 S \* 8/1996 Notaras et al. .... D8/1  
D420,871 S \* 2/2000 Notaras et al. .... D8/1  
6,116,350 A \* 9/2000 Notaras et al. .... 172/15

6,263,975 B1 \* 7/2001 Rosa et al. .... 172/15  
6,688,404 B2 \* 2/2004 Uhl et al. .... 172/15  
D540,827 S \* 4/2007 Notaras et al. .... D15/12  
D632,146 S \* 2/2011 Notaras et al. .... D8/8

\* cited by examiner

*Primary Examiner* — Sheryl Lane

(74) *Attorney, Agent, or Firm* — McDermott Will & Emery LLP

(57) **CLAIM**

I claim the ornamental design for a string trimmer, as shown and described.

**DESCRIPTION**

FIG. 1 is a left side view of a string trimmer according to the new design.

FIG. 2 is a right side view of the string trimmer shown in FIG. 1.

FIG. 3 is a rear view of the string trimmer shown in FIG. 1.

FIG. 4 is a front view of the string trimmer shown in FIG. 1.

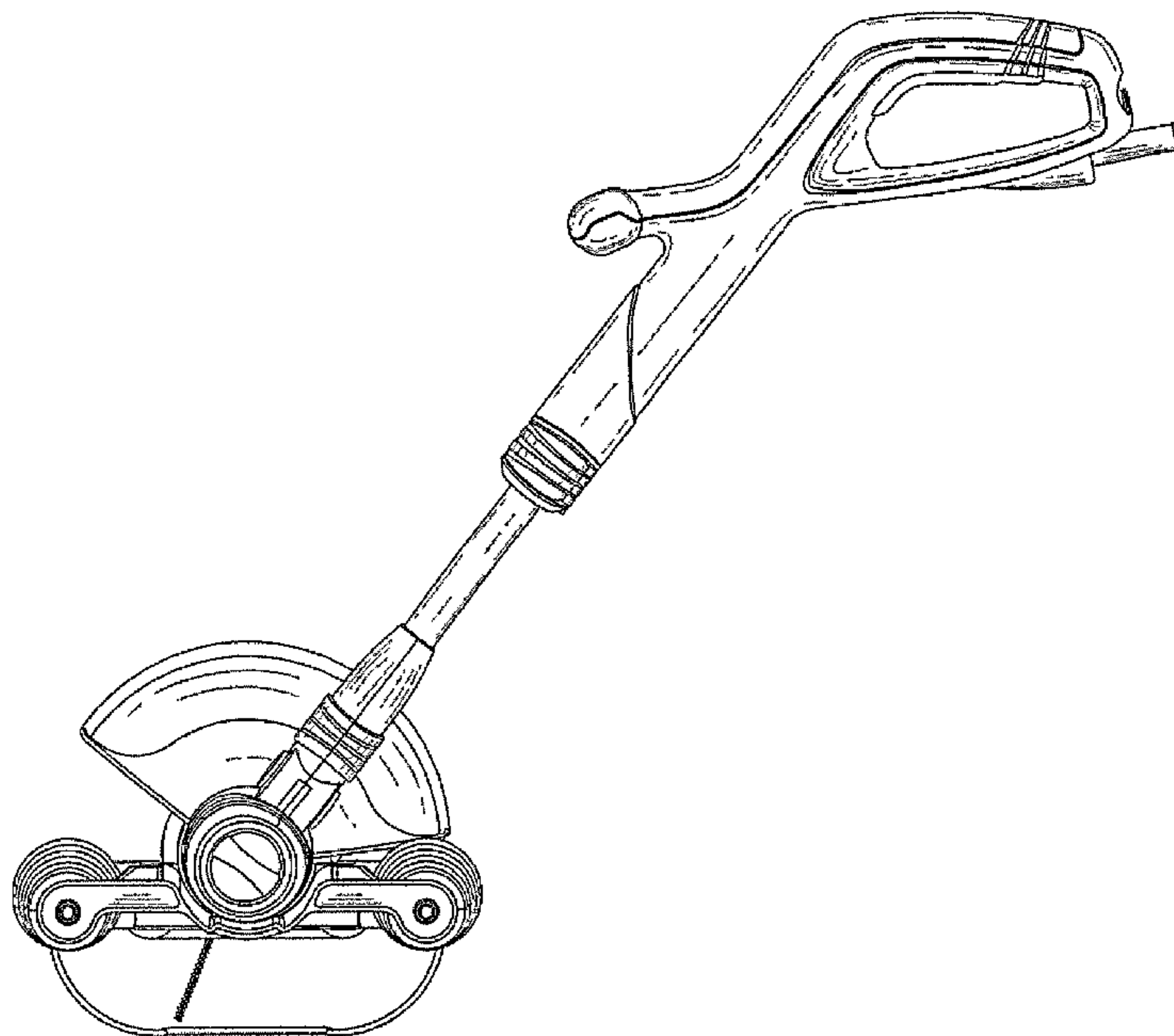
FIG. 5 is a top view of the string trimmer shown in FIG. 1.

FIG. 6 is a bottom view of the string trimmer shown in FIG. 1; and,

FIG. 7 is a side perspective view of the string trimmer shown in FIG. 1.

The broken line showing of string trimmer is included for the purpose of illustrating portions of the article and forms no part of the claimed design.

**1 Claim, 7 Drawing Sheets**



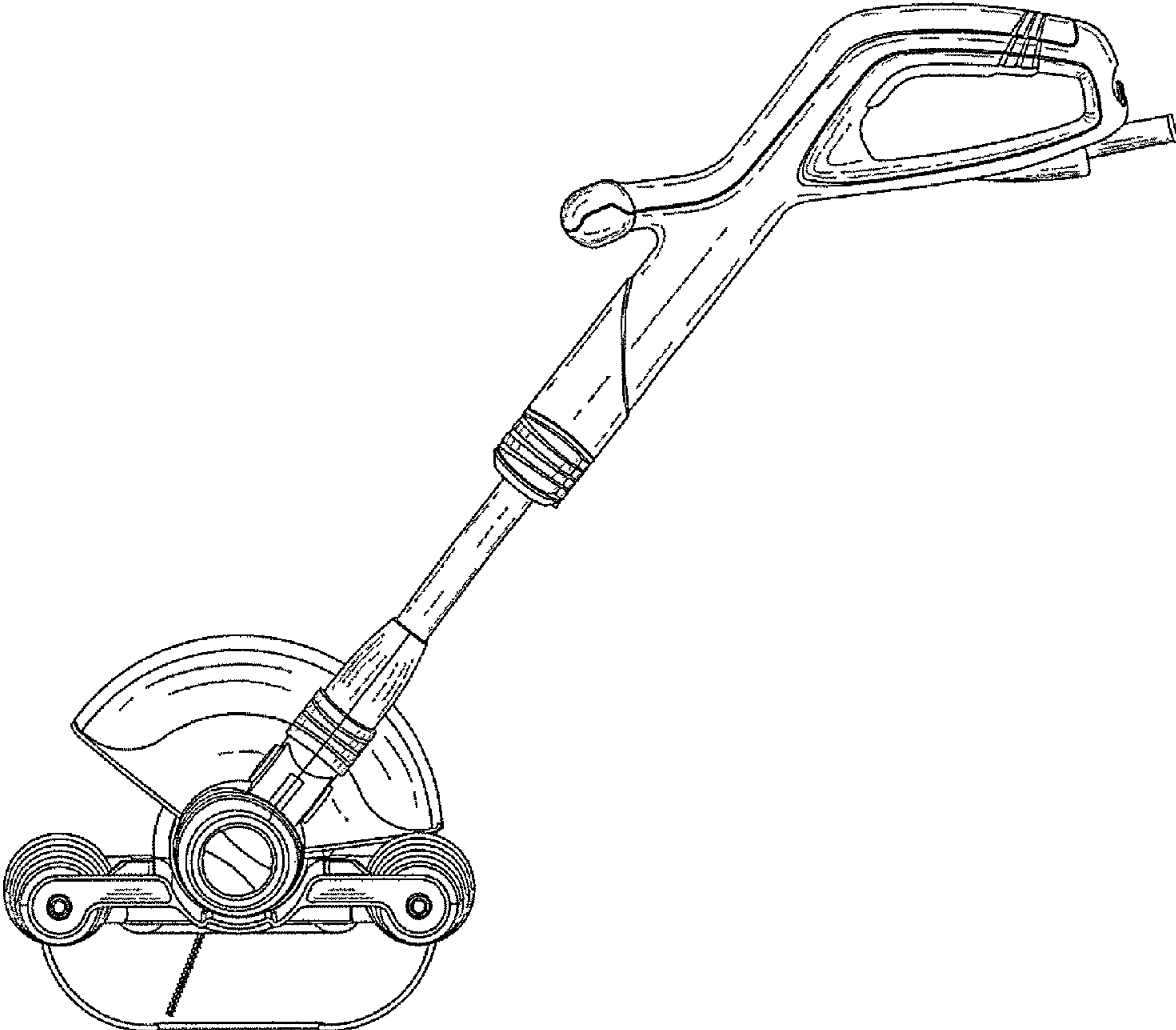


Fig. 1

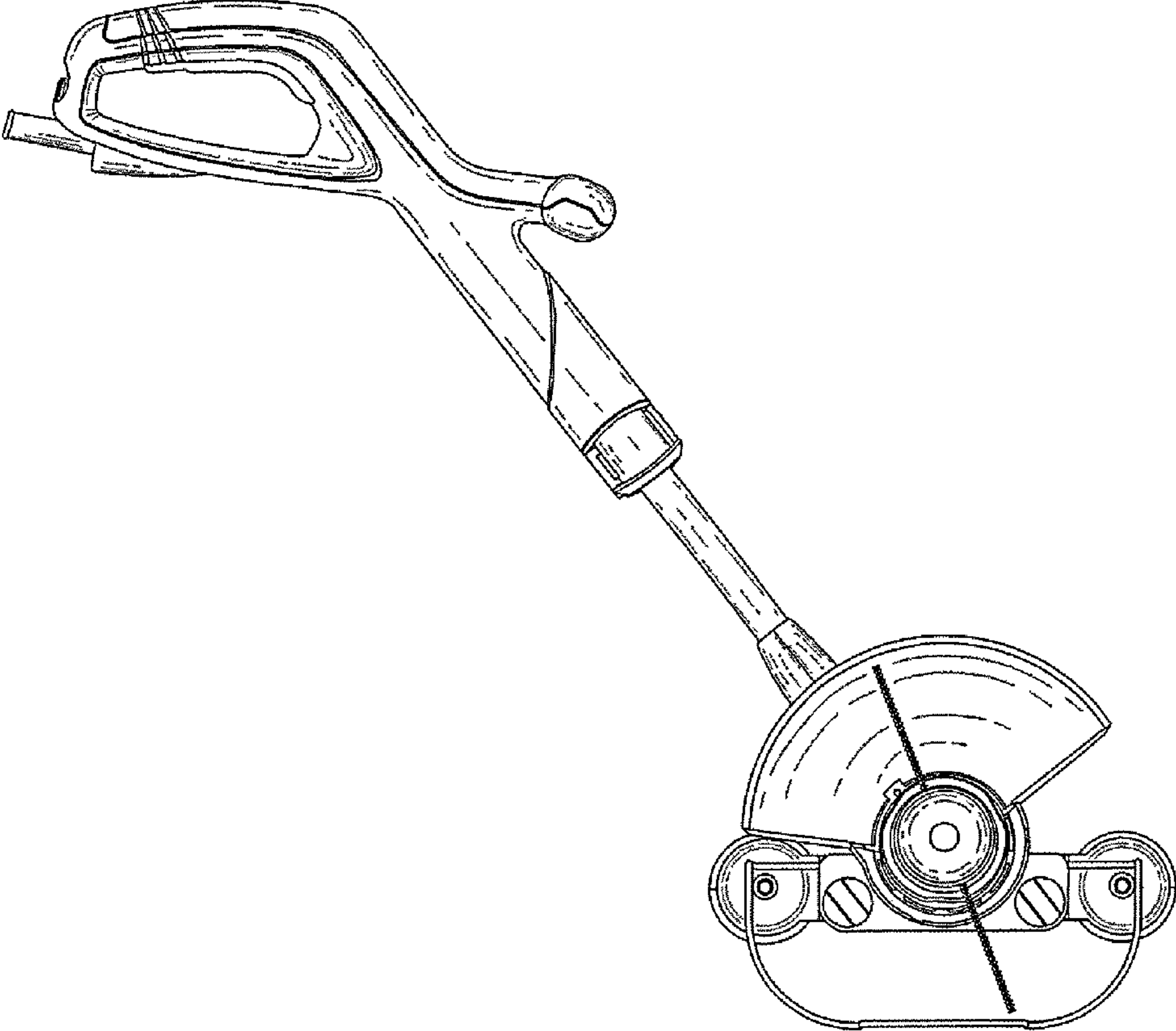


Fig. 2

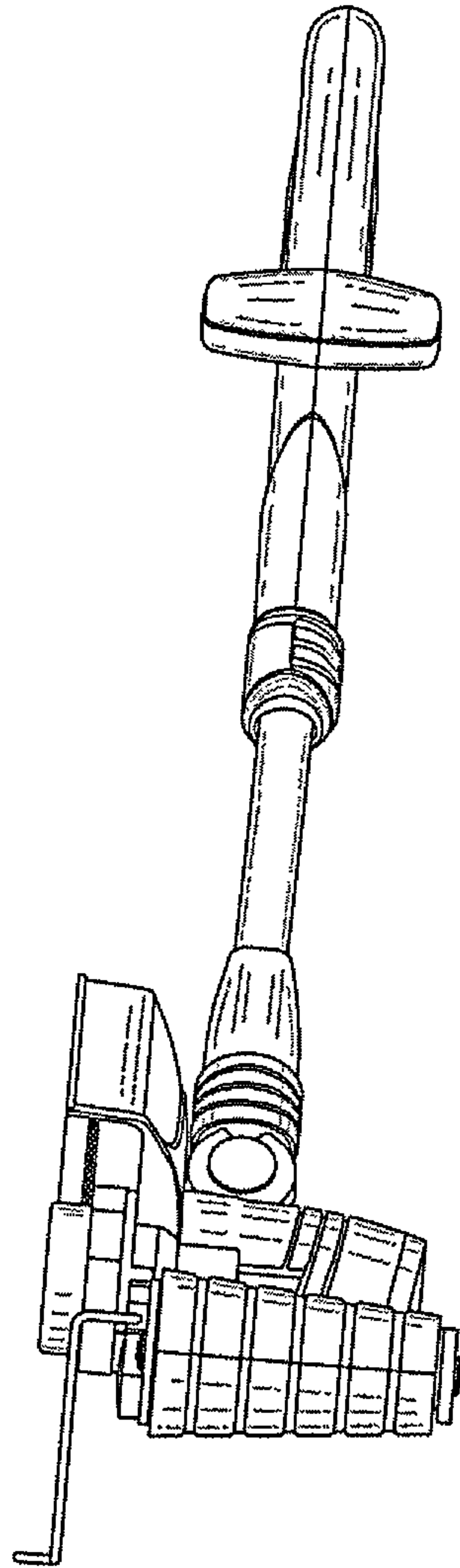


Fig. 3

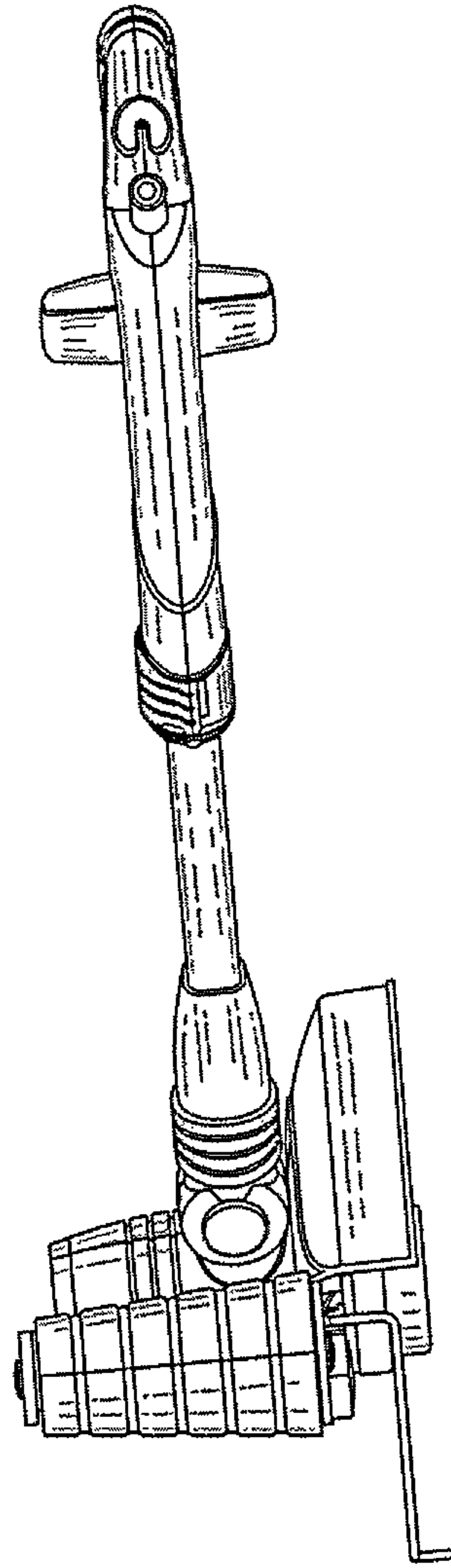


Fig. 4

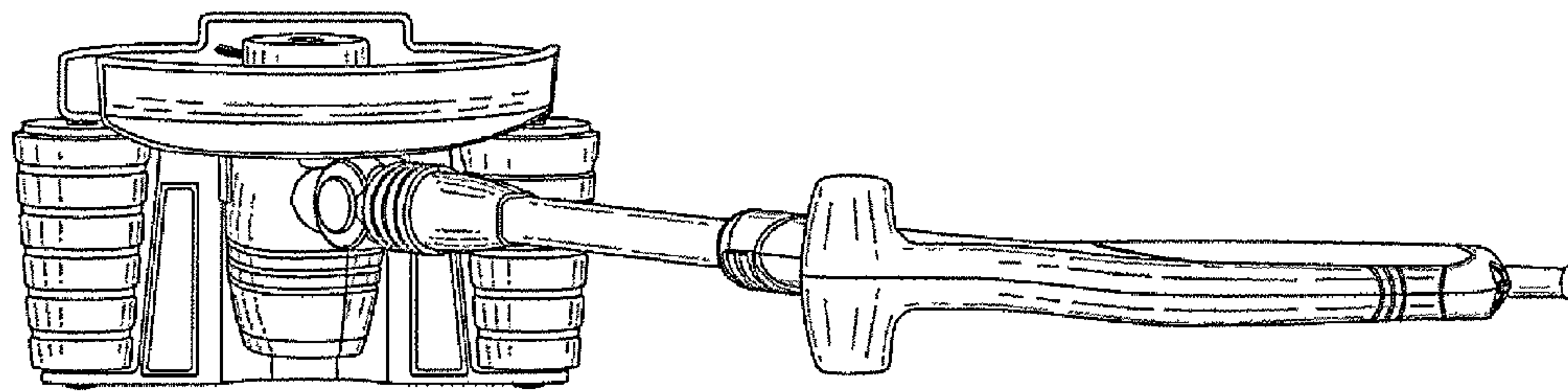


Fig. 5



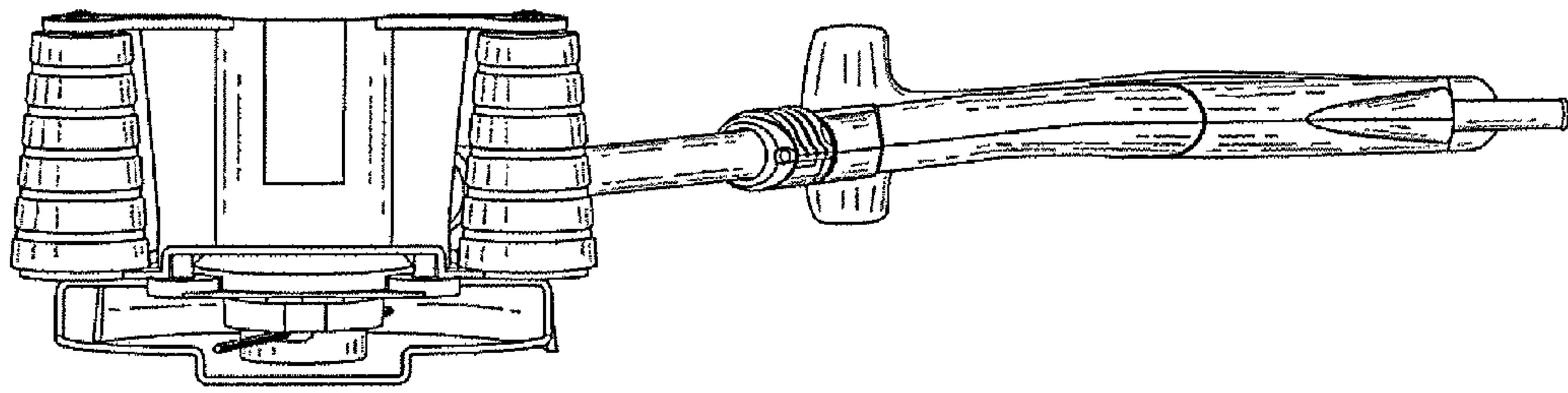


Fig. 6

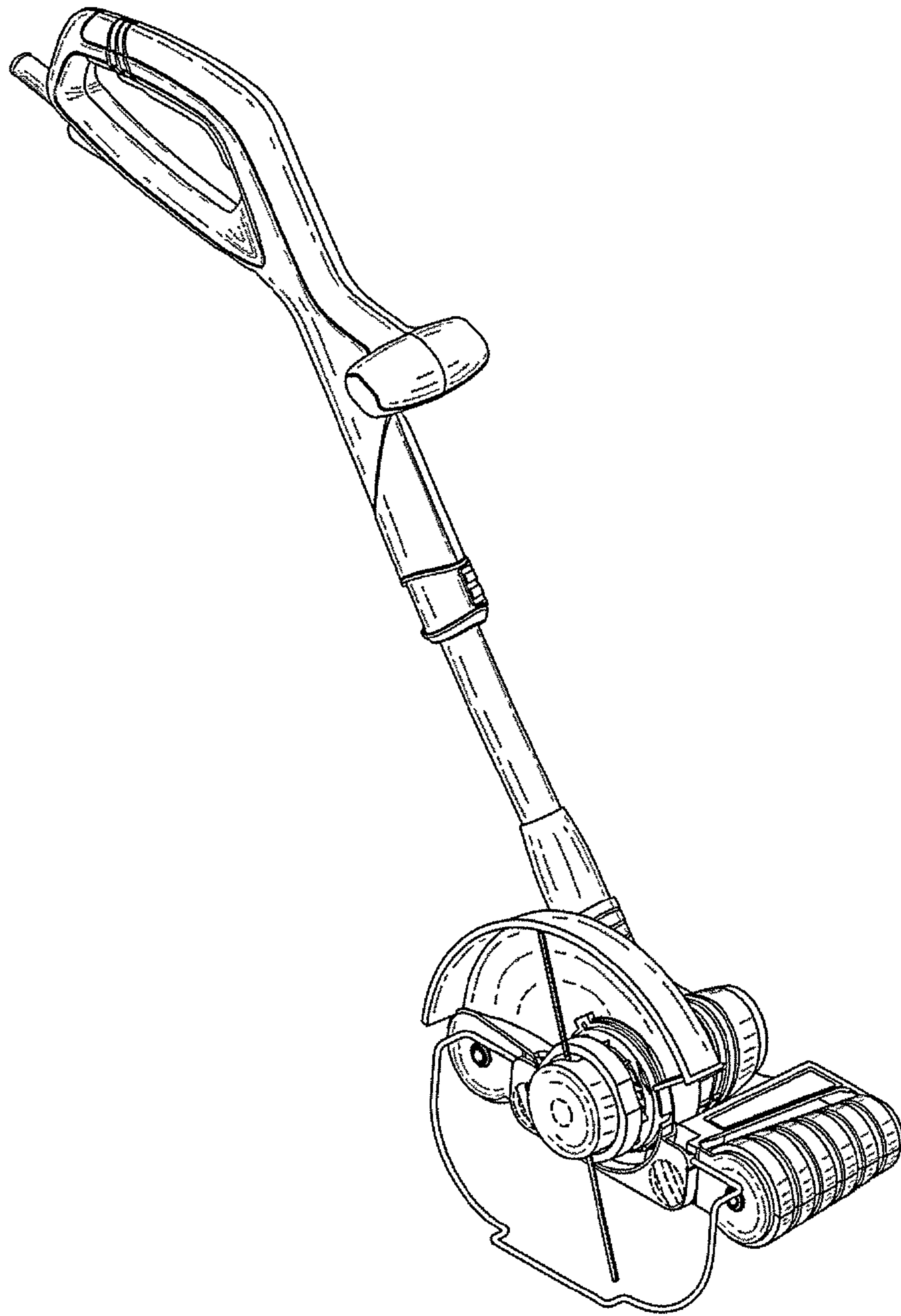


Fig. 7