



US00D691435S

(12) **United States Design Patent**
Nies et al.

(10) **Patent No.:** **US D691,435 S**

(45) **Date of Patent:** **** Oct. 15, 2013**

(54) **LOPPER**

(71) Applicant: **Melnor, Inc.**, Winchester, VA (US)

(72) Inventors: **Juergen Nies**, Winchester, VA (US); **Ha V. Duong**, Winchester, VA (US); **Vicky A. Michael**, Winchester, VA (US); **Sean Wesley Svendsen**, Gahanna, OH (US); **Eric James Fickas**, Powell, OH (US)

(73) Assignee: **Melnor, Inc.**, Winchester, VA (US)

(**) Term: **14 Years**

(21) Appl. No.: **29/446,349**

(22) Filed: **Feb. 22, 2013**

(51) **LOC (9) Cl.** **08-01**

(52) **U.S. Cl.**
USPC **D8/5**

(58) **Field of Classification Search**
USPC D8/4, 5, 52, 54; 30/131, 260, 193-194,
30/296.1, 134, 251-253, 261-262
See application file for complete search history.

(56) **References Cited**

U.S. PATENT DOCUMENTS

D357,390 S * 4/1995 Thompson et al. D8/5
D405,663 S * 2/1999 Deville D8/5

D413,052 S * 8/1999 Staton D8/5
D464,855 S * 10/2002 Clivio D8/5
D478,255 S * 8/2003 Deville D8/5
D500,941 S * 1/2005 Tatic D8/5
D501,765 S * 2/2005 Tatic D8/5
D502,068 S * 2/2005 Tatic D8/5
D578,360 S * 10/2008 Nellenbach et al. D8/4
D606,816 S * 12/2009 Deville D8/5
D648,995 S * 11/2011 Chang D8/52
D660,104 S * 5/2012 Atnip et al. D8/5

* cited by examiner

Primary Examiner — Sheryl Lane

(74) *Attorney, Agent, or Firm* — Westerman, Hattori, Daniels & Adrian, LLP

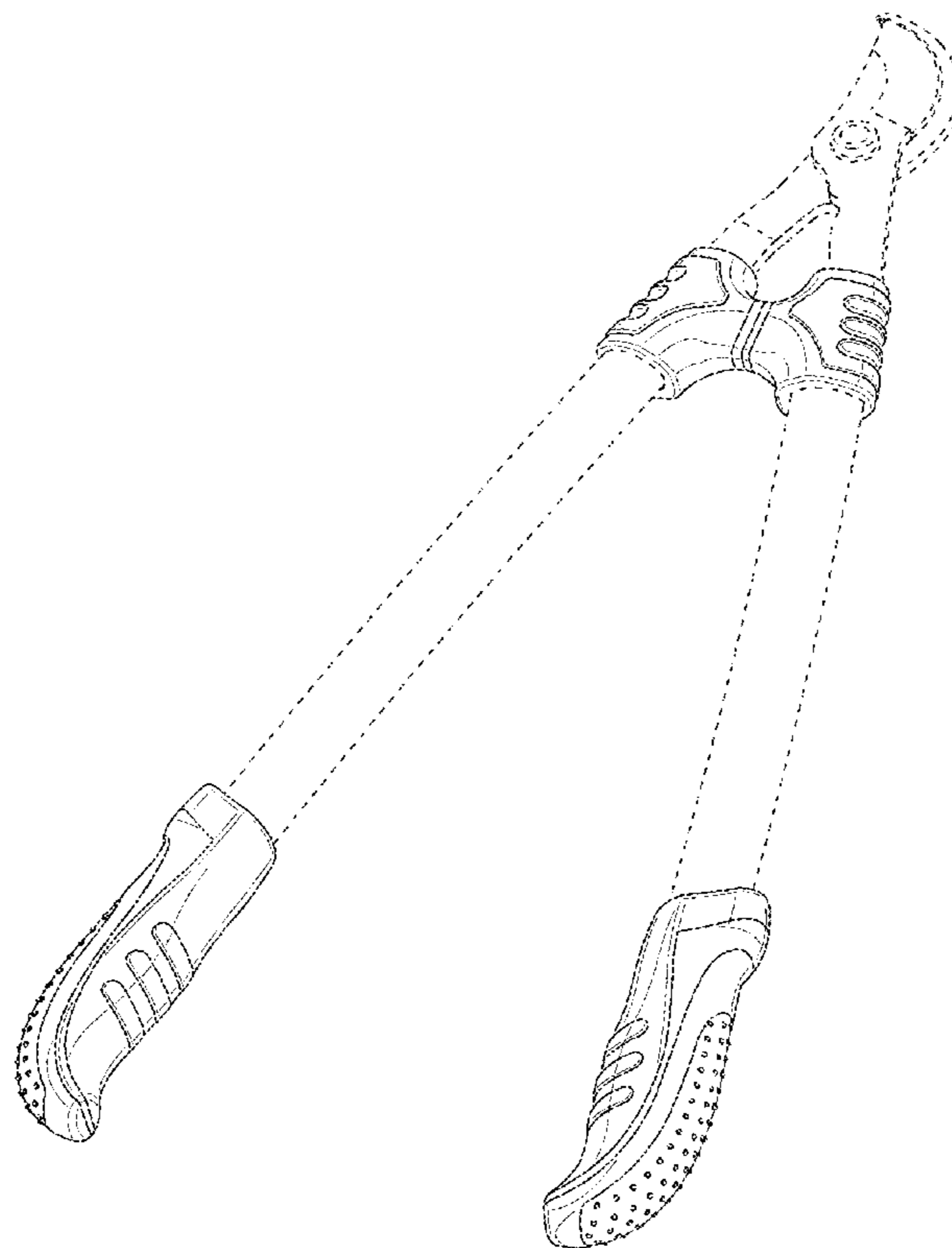
(57) **CLAIM**

An ornamental design for a lopper, as shown and described.

DESCRIPTION

FIG. 1 is a perspective view of a lopper;
FIG. 2 is a front view thereof;
FIG. 3 is a back view thereof;
FIG. 4 is a left side view thereof;
FIG. 5 is a right side view thereof;
FIG. 6 is a top view thereof; and,
FIG. 7 is a bottom view thereof.
The broken lines illustrate environmental structure only and form no part of the claimed design.

1 Claim, 6 Drawing Sheets



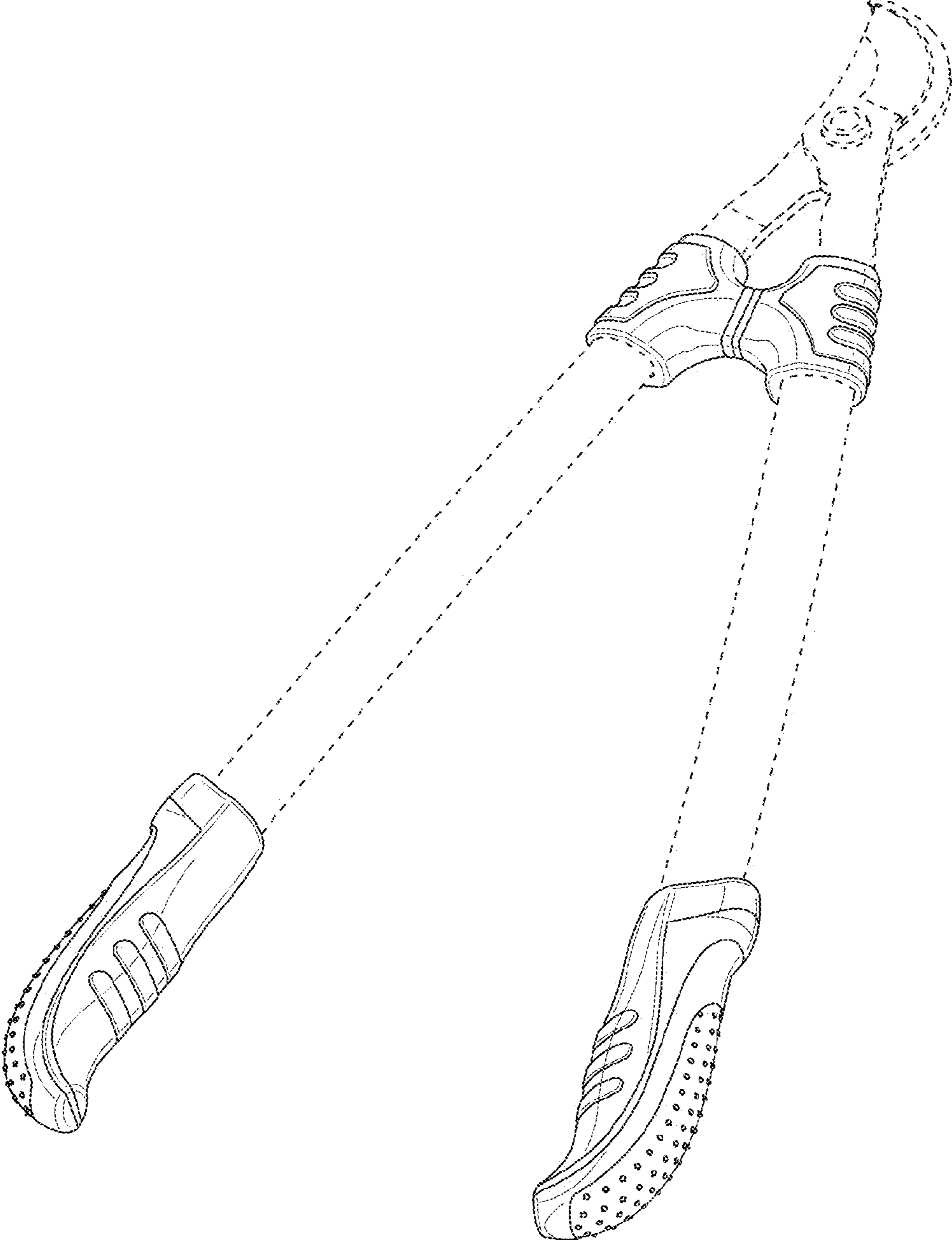


FIG. 1

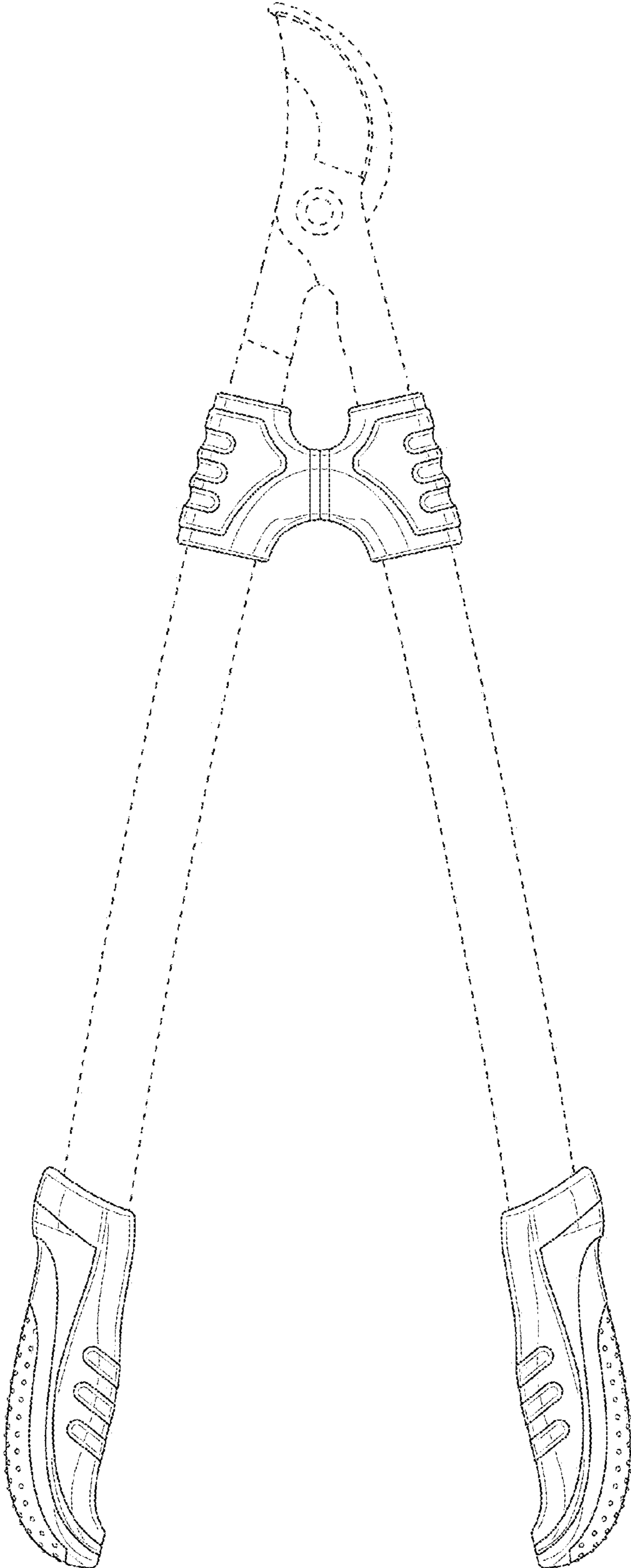


FIG.2

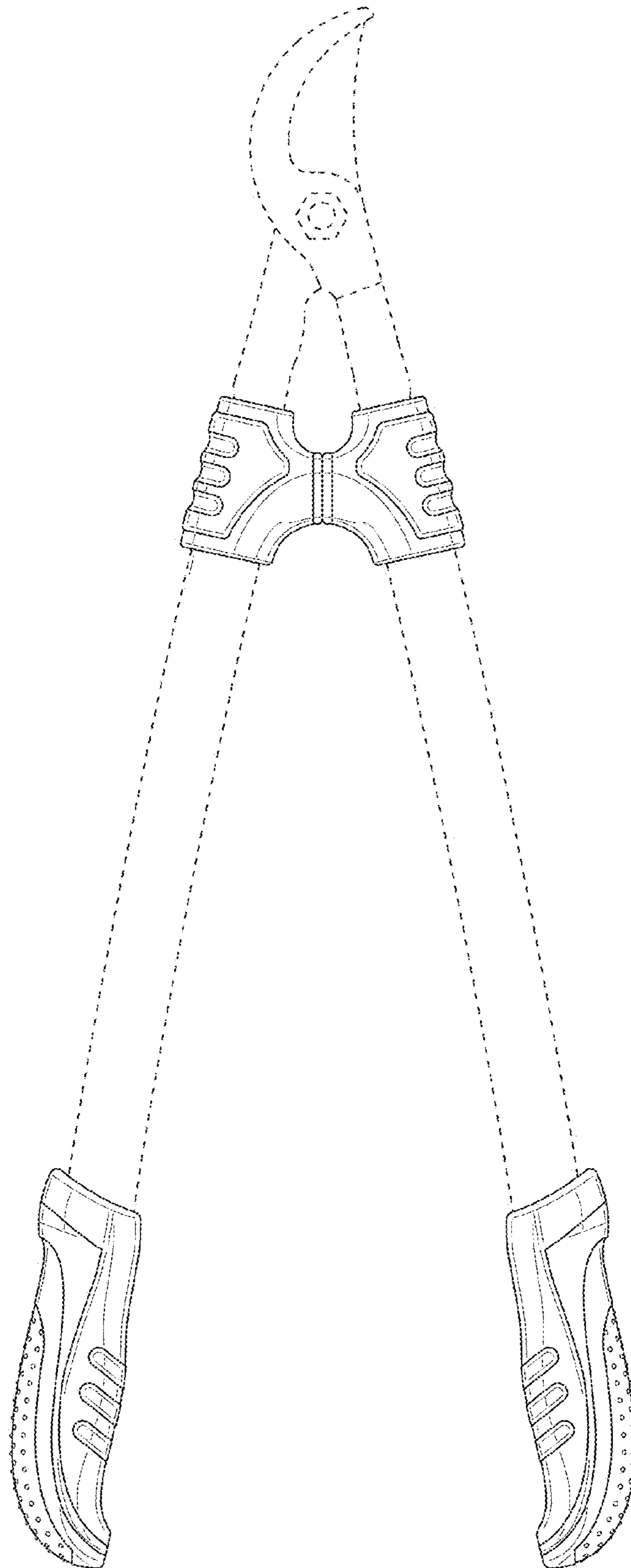


FIG. 3

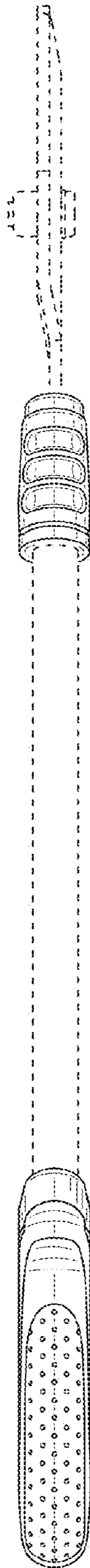


FIG.4

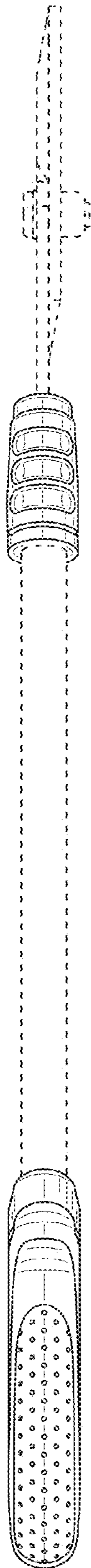


FIG.5

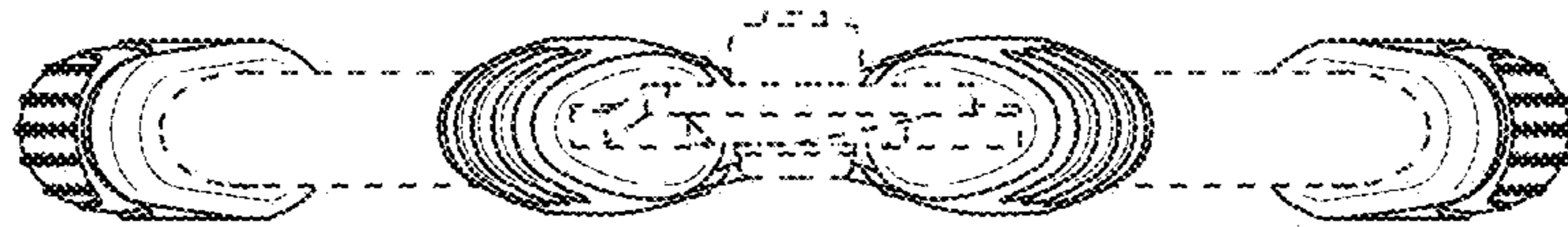


FIG. 6

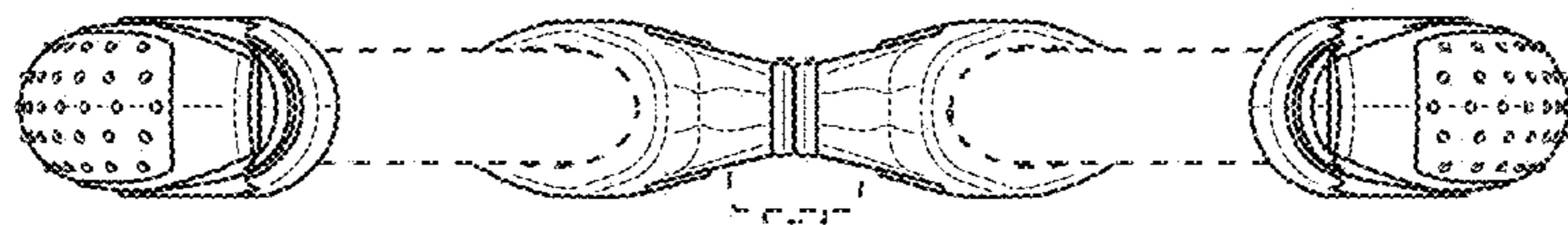


FIG. 7