

US00D691428S

(12) **United States Design Patent**
Cucci

(10) **Patent No.:** **US D691,428 S**
(45) **Date of Patent:** **** Oct. 15, 2013**

- (54) **ROLLER BOARD INSERT PAIR**
- (71) Applicant: **Jennifer Cucci**, Surprise, AZ (US)
- (72) Inventor: **Jennifer Cucci**, Surprise, AZ (US)
- (**) Term: **14 Years**
- (21) Appl. No.: **29/445,496**
- (22) Filed: **Feb. 12, 2013**

- 4,862,793 A 9/1989 Steiner
- 4,984,978 A 1/1991 Beatty
- D337,030 S 7/1993 Amaral
- 5,499,575 A 3/1996 Handel et al.
- 6,224,365 B1 5/2001 Ou-Young

(Continued)

FOREIGN PATENT DOCUMENTS

- BE 549356 7/1956
- DE 36678 9/1886

(Continued)

OTHER PUBLICATIONS

Lemon and Strawberry Rollerboard Kit/1 Set, Best from Japan, [online]. [site visited Sep. 10, 2012]. Available from Internet, <http://www.bestfromjapan.com/moreinfo.cfm?Product_ID=17261>.*

(Continued)

Primary Examiner — Jeffrey D Asch
(74) *Attorney, Agent, or Firm* — Adam R. Stephenson, Ltd.

(57) **CLAIM**
The ornamental design for roller board insert pair, as shown and described.

DESCRIPTION

FIG. 1 is perspective view of a roller board insert pair shown in the non-claimed environment of a roller board assembly, each of the two roller board inserts that make up the pair being identical to one another;
FIG. 2 is an exploded view of the roller board insert pair of FIG. 1; and,
FIG. 3 is a front view of the roller board insert pair of FIG. 1, the rear view being a mirror image of the front view.
The broken lines showings in FIGS. 1-3 are for illustrative purposes only and show non claimed portions of the roller board assembly and inserts.

1 Claim, 3 Drawing Sheets

Related U.S. Application Data

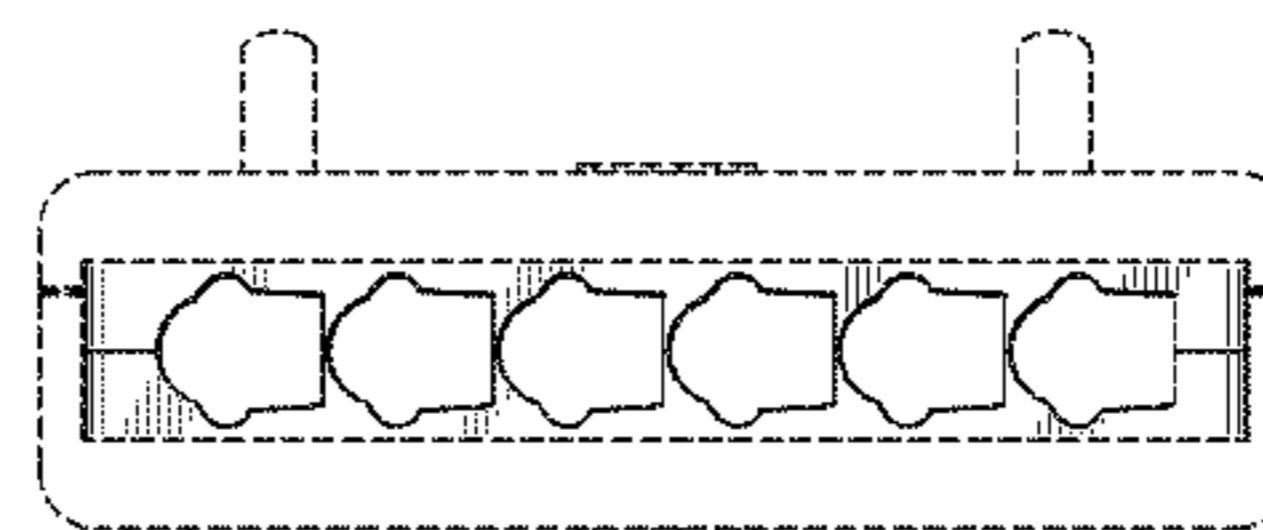
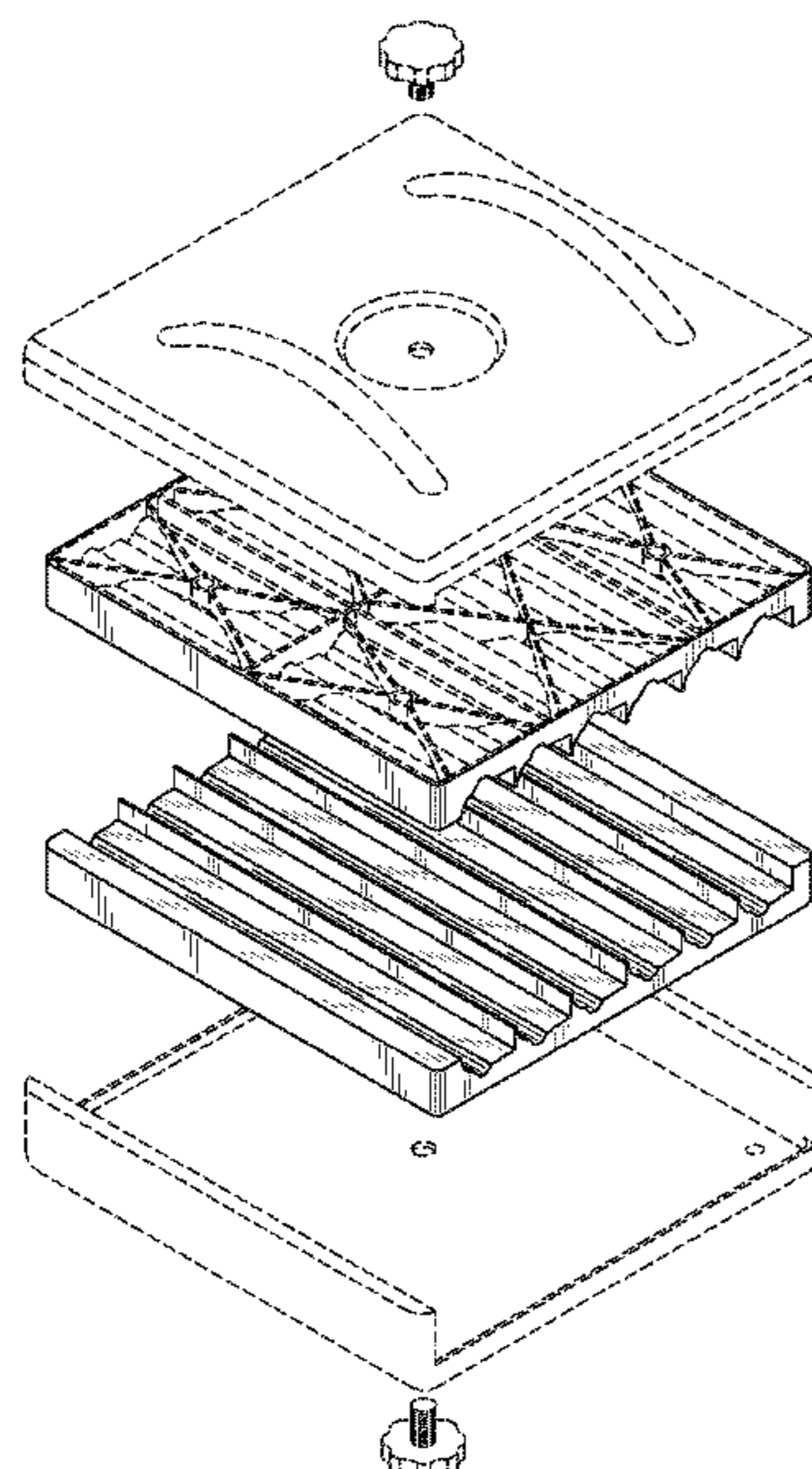
- (63) Continuation of application No. 29/386,731, filed on Mar. 4, 2011, now Pat. No. Des. 678,001.
- (51) **LOC (9) Cl.** **07-04**
- (52) **U.S. Cl.**
USPC **D7/672**
- (58) **Field of Classification Search**
USPC D7/672-677, 666, 412, 601, 602, 368, D7/354, 357, 323; D15/80, 90; 99/537, 99/538, 508, 430, 349, 353; 62/353, 345; 426/512; 249/92; 425/118, 332, 116; 206/526

See application file for complete search history.

(56) **References Cited**

U.S. PATENT DOCUMENTS

- 33,136 A * 8/1861 Exton 425/298
- 432,127 A * 7/1890 Dyke 425/332
- 1,475,316 A 7/1922 Randall
- 1,425,015 A 8/1922 Hyten et al.
- 2,134,026 A 10/1938 Brooks
- 2,288,908 A 7/1941 Kretchman
- 2,293,109 A 8/1942 Bridge
- 3,299,835 A 1/1967 Marsili
- 3,727,508 A 4/1973 Haapala
- 4,437,826 A 3/1984 Tezuka
- 4,516,923 A 5/1985 Lifshitz et al.
- 4,604,947 A 8/1986 Pavan



(56)

References Cited

U.S. PATENT DOCUMENTS

6,761,108	B1	7/2004	Dreano	
6,843,167	B1	1/2005	Kanafani et al.	
7,065,880	B2	6/2006	Howman et al.	
7,213,508	B2	5/2007	Staton	
7,748,305	B2	7/2010	Strenio et al.	
7,850,440	B2	12/2010	Alvidrez	
D678,001	S *	3/2013	Cucci	D7/672
2003/0035862	A1	2/2003	Kostival et al.	
2003/0072836	A1	4/2003	Lee	
2004/0055475	A1	3/2004	Canicas	
2004/0212117	A1	10/2004	Lee	
2012/0219693	A1	8/2012	Juravic et al.	
2012/0222987	A1	9/2012	Cucci	

FOREIGN PATENT DOCUMENTS

DE		273153		4/1914
DE		801260		12/1950
EP		0259046		3/1988

FR		345707		12/1904
FR		426755		7/1911
FR		973957		2/1951
FR		1485102		6/1967
WO		WO0172133		10/2001
WO		WO2007080436		7/2007

OTHER PUBLICATIONS

“Gardner Rollaball Longbase Boilie Maker” for sale on bristolangling.com website, available at <http://www.bristolangling.com/gardner-rollaball-longbase-boilie-maker.html>, website last visited Dec. 30, 2011.

“Fimo Roller—Basic Bead Machine” for sale on ejrbeads.co.uk website, available at http://www.ejrbeads.co.uk/shop/index.php?main_page=product_info&cPath=93_45&products_id=1140&zenid=atrjvb0abrghh38gsrvblja7, website last visited Dec. 30, 2011.

Marzipan Rollerboard Advertisement, available at http://www.pastrychef.com/MARZIPAN-ROLLERBOARD_p_1073.html, last visited Mar. 3, 2011.

* cited by examiner

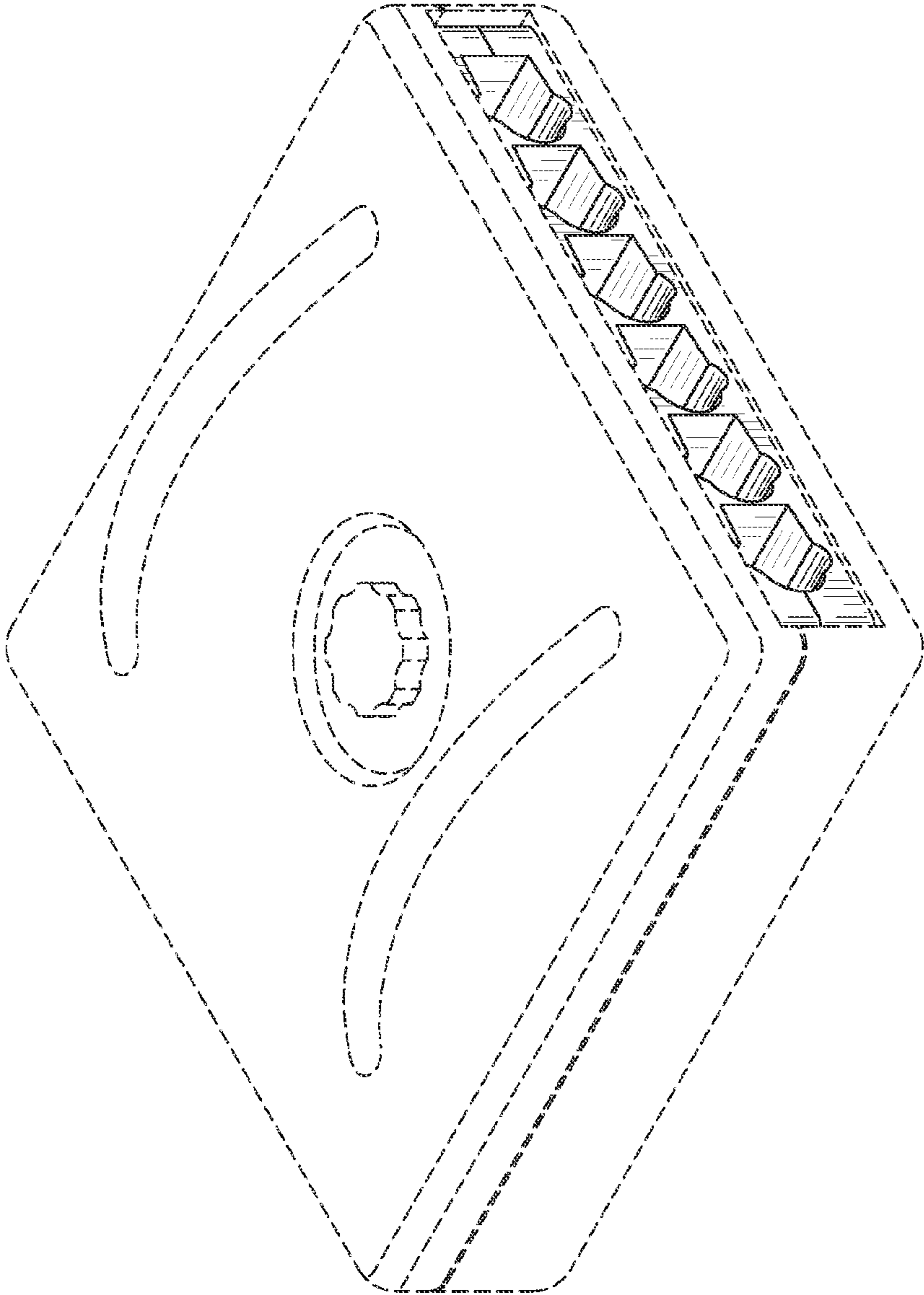


FIG. 1

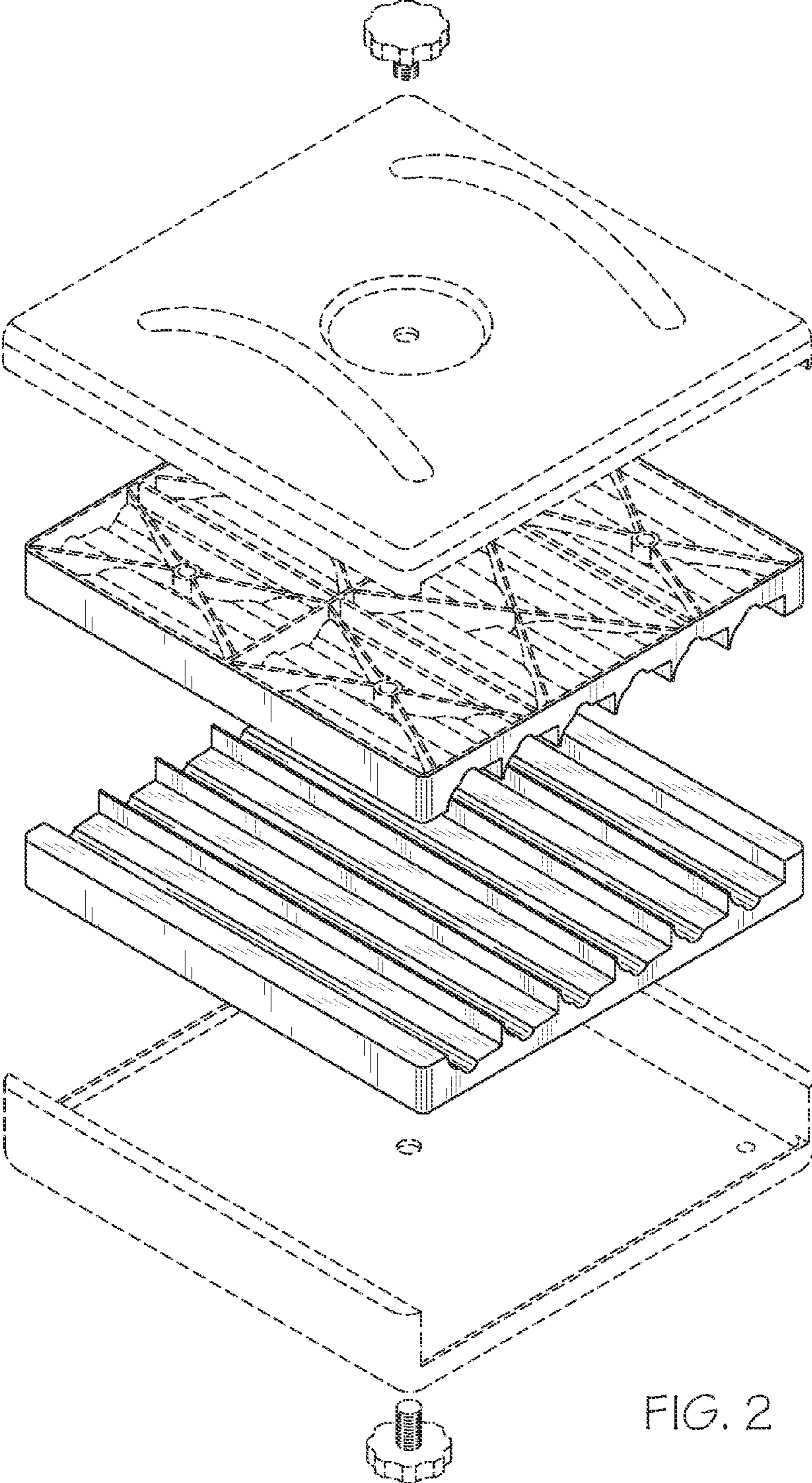


FIG. 2

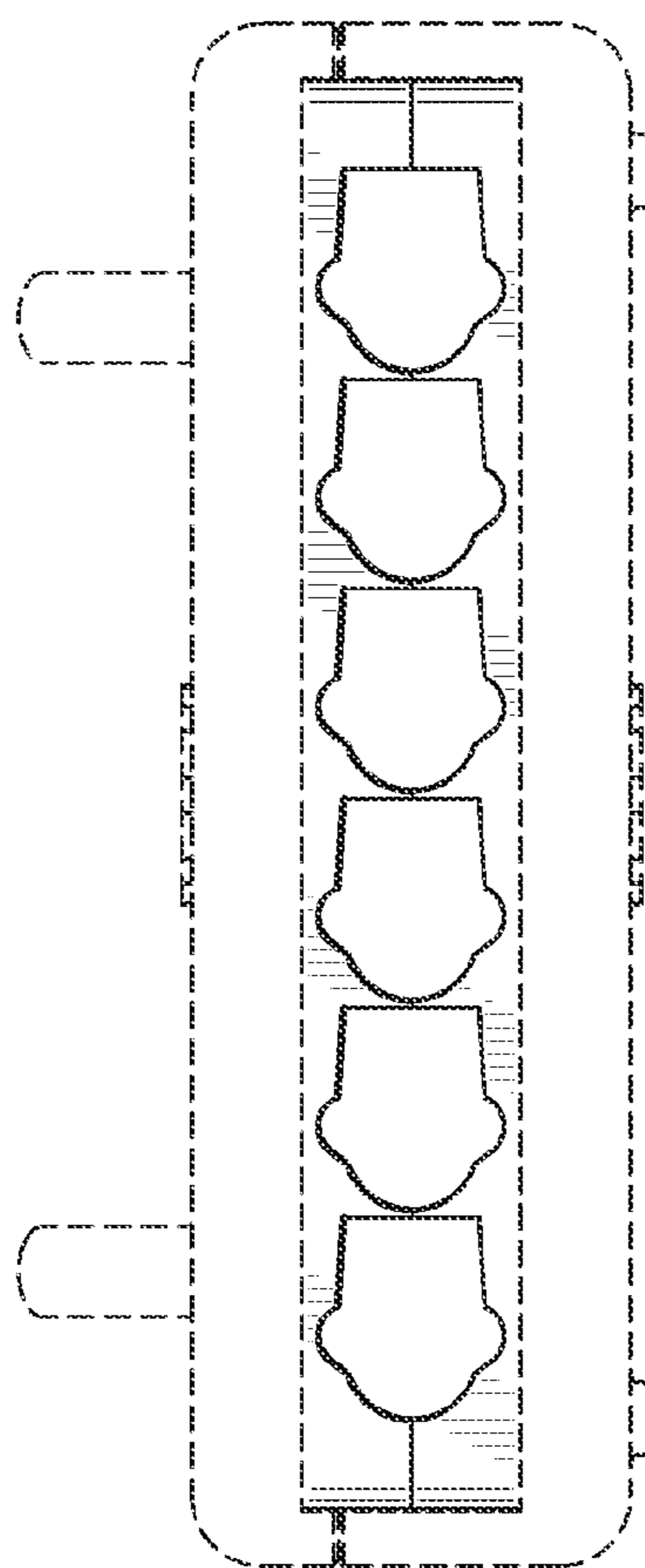


FIG. 3