



US00D691427S

(12) **United States Design Patent**
Cucci

(10) **Patent No.:** **US D691,427 S**
(45) **Date of Patent:** **** Oct. 15, 2013**

(54) **ROLLER BOARD INSERT PAIR**

FOREIGN PATENT DOCUMENTS

(71) Applicant: **Jennifer Cucci**, Surprise, AZ (US)

BE 549356 7/1956
DE 36678 9/1886

(72) Inventor: **Jennifer Cucci**, Surprise, AZ (US)

(Continued)

(**) Term: **14 Years**

OTHER PUBLICATIONS

(21) Appl. No.: **29/445,489**

Lemon and Strawberry Rollerboard Kit/1 Set, Best from Japan, [online]. [site visited Sep. 10, 2012]. Available from Internet, <http://www.bestfromjapan.com/moreinfo.cfm?Product_ID=17261>.*

(22) Filed: **Feb. 12, 2013**

(Continued)

Related U.S. Application Data

Primary Examiner — Jeffrey D Asch

(63) Continuation of application No. 29/386,731, filed on Mar. 4, 2011, now Pat. No. Des. 678,001.

(74) *Attorney, Agent, or Firm* — Adam R. Stephenson, Ltd.

(51) **LOC (9) Cl.** **07-04**

(57) **CLAIM**

(52) **U.S. Cl.**

The ornamental design for roller board insert pair, as shown and described.

USPC **D7/672**

(58) **Field of Classification Search**

DESCRIPTION

USPC D7/672-677, 666, 412, 601, 602, 368, D7/354, 357, 323; D15/80, 90; 99/537, 99/538, 508, 430, 349, 353; 62/353, 345; 426/512; 249/92; 425/118, 332, 116; 206/526

FIG. 1 is perspective view of a roller board insert pair shown in the non-claimed environment of a roller board assembly, each of the two roller board inserts that make up the pair being identical to one another;

See application file for complete search history.

FIG. 2 is an exploded view of the roller board insert pair of FIG. 1; and

(56) **References Cited**

U.S. PATENT DOCUMENTS

33,136 A * 8/1861 Exton 425/298
432,127 A * 7/1890 Dyke 425/332
1,475,316 A 7/1922 Randall
1,425,015 A 8/1922 Forrest et al.
2,134,026 A 10/1938 Brooks, W.H.
2,288,908 A 7/1941 Kretchman
2,293,109 A 8/1942 Bridge

FIG. 3 is a front view of the roller board insert pair of FIG. 1, the rear view being a mirror image of the front view;

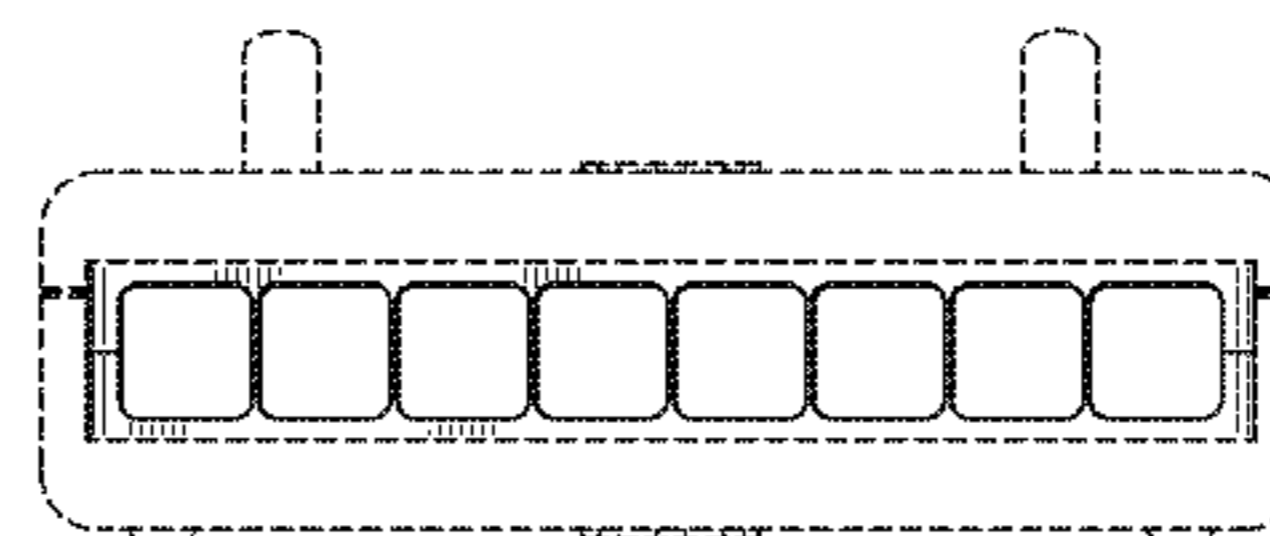
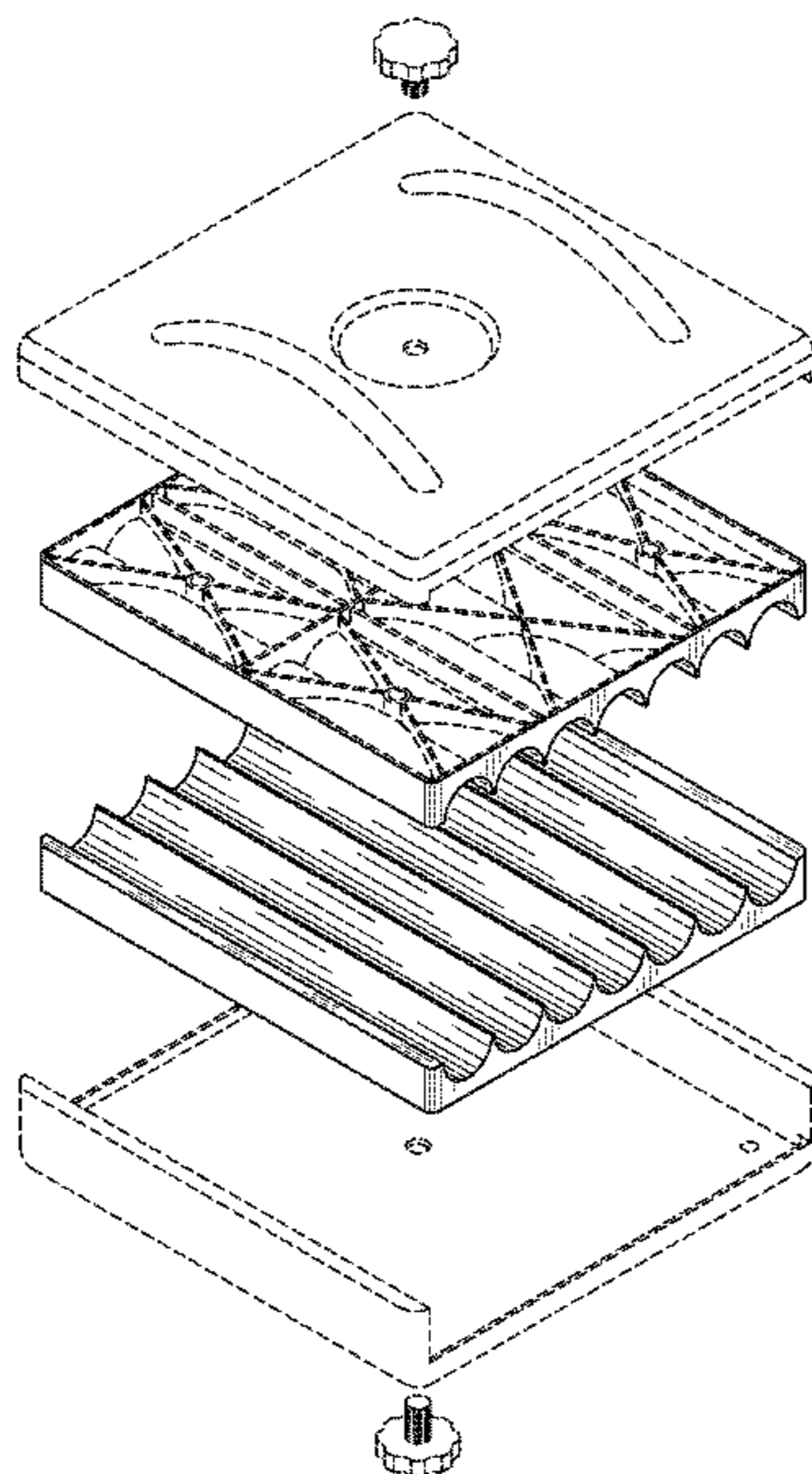
FIG. 4 is a front view of a second embodiment of the roller board insert pair of FIG. 1, the rear view being a mirror image of the front view; the only difference over the first embodiment being the number and size of the openings; and,

FIG. 5 is a front view of a third embodiment of the roller board insert pair of FIG. 1, the rear view being a mirror image of the front view; the only difference over the first embodiment being the number and size of the openings.

The broken lines in FIGS. 1-5 are for illustrative purposes only and show non-claimed portions of the roller board assembly and inserts.

(Continued)

1 Claim, 5 Drawing Sheets



(56)

References Cited

U.S. PATENT DOCUMENTS

| | | | | |
|--------------|-----|---------|-----------------|--------|
| 3,299,835 | A | 1/1967 | Marsili | |
| 3,727,508 | A | 4/1973 | Haapala | |
| 4,437,826 | A | 3/1984 | Tezuka | |
| 4,516,923 | A | 5/1985 | Lifshitz et al. | |
| 4,604,947 | A | 8/1986 | Pavan | |
| 4,862,793 | A | 9/1989 | Steiner | |
| 4,984,978 | A | 1/1991 | Beatty | |
| D337,030 | S | 7/1993 | Amaral | |
| 5,499,575 | A | 3/1996 | Handel et al. | |
| 6,224,365 | B1 | 5/2001 | Ou-Young | |
| 6,761,108 | B1 | 7/2004 | Dreano | |
| 6,843,167 | B1 | 1/2005 | Kanafani et al. | |
| 7,065,880 | B2 | 6/2006 | Howman et al. | |
| 7,213,508 | B2 | 5/2007 | Staton | |
| 7,748,305 | B2 | 7/2010 | Strenio et al. | |
| 7,850,440 | B2 | 12/2010 | Alvidrez | |
| D678,001 | S * | 3/2013 | Cucci | D7/672 |
| 2003/0035862 | A1 | 2/2003 | Kostival et al. | |
| 2003/0072836 | A1 | 4/2003 | Lee | |
| 2004/0055475 | A1 | 3/2004 | Canicas | |
| 2004/0212117 | A1 | 10/2004 | Lee | |
| 2012/0219693 | A1 | 8/2012 | Juravic et al. | |
| 2012/0222987 | A1 | 9/2012 | Cucci | |

FOREIGN PATENT DOCUMENTS

| | | |
|----|--------------|---------|
| DE | 273153 | 4/1914 |
| DE | 801260 | 12/1950 |
| EP | 0259046 | 3/1988 |
| FR | 345707 | 12/1904 |
| FR | 426755 | 7/1911 |
| FR | 973957 | 2/1951 |
| FR | 1485102 | 6/1967 |
| WO | W02001072133 | 10/2001 |
| WO | W02007080436 | 7/2007 |

OTHER PUBLICATIONS

“Gardner Rollaball Longbase Boilie Maker” for sale on [bristolangling.com](http://www.bristolangling.com/gardner-rollaball-longbase-boilie-maker.html) website, available at <http://www.bristolangling.com/gardner-rollaball-longbase-boilie-maker.html>, website last visited Dec. 30, 2011.

“Fimo Roller—Basic Bead Machine” for sale on [ejrbeads.co.uk](http://www.ejrbeads.co.uk) website, available at http://www.ejrbeads.co.uk/shop/index.php?main_page=product_info&cPath=93_45&products_id=1140&zenid=atrjvb0abrggh38gsrvbIlja7, website last visited Dec. 30, 2011.

Marzipan Rollerboard Advertisement, available at http://www.pastrychef.com/Marzipan-ROLLERBOARD_p_1073.html, last visited Mar. 3, 2011.

* cited by examiner

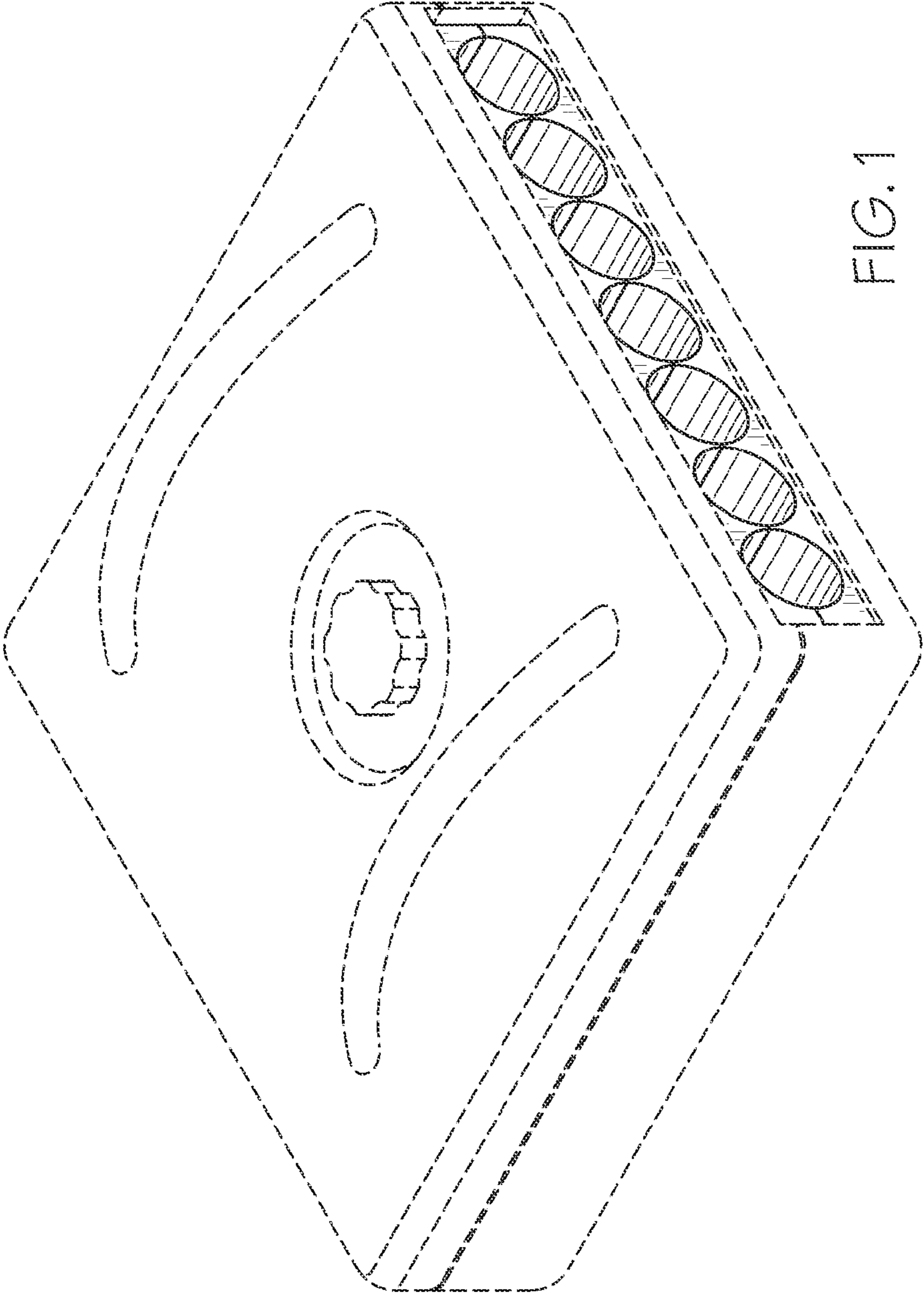


FIG. 1

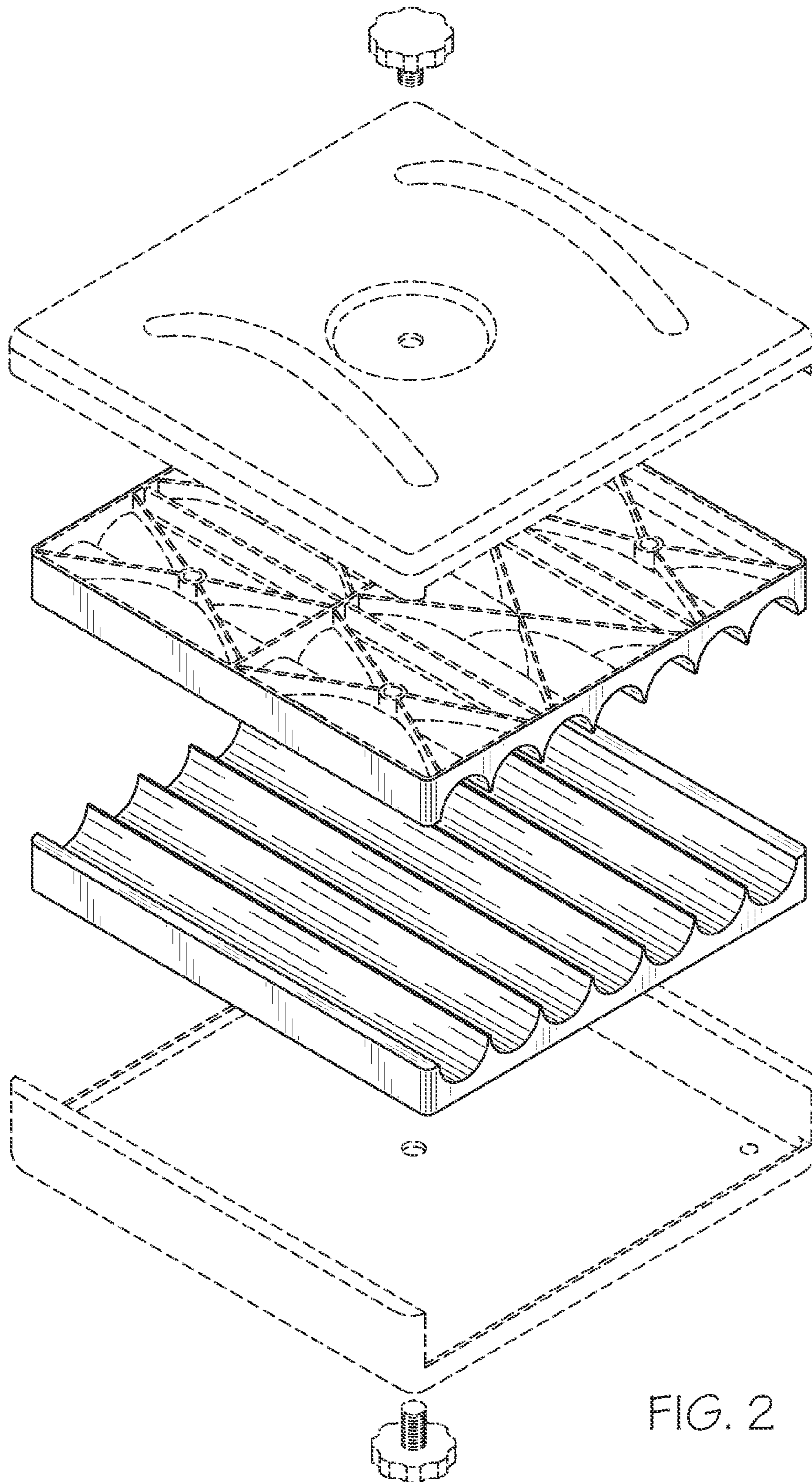


FIG. 2

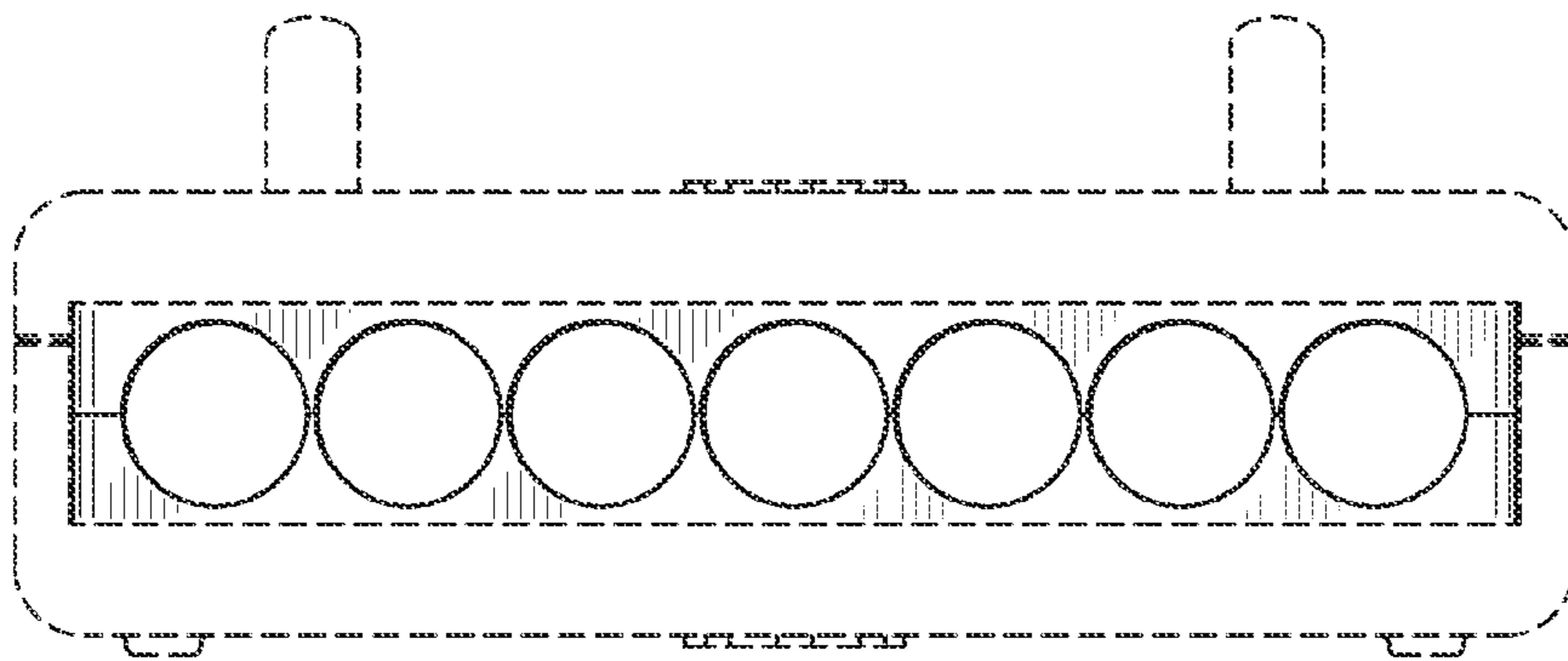


FIG. 3

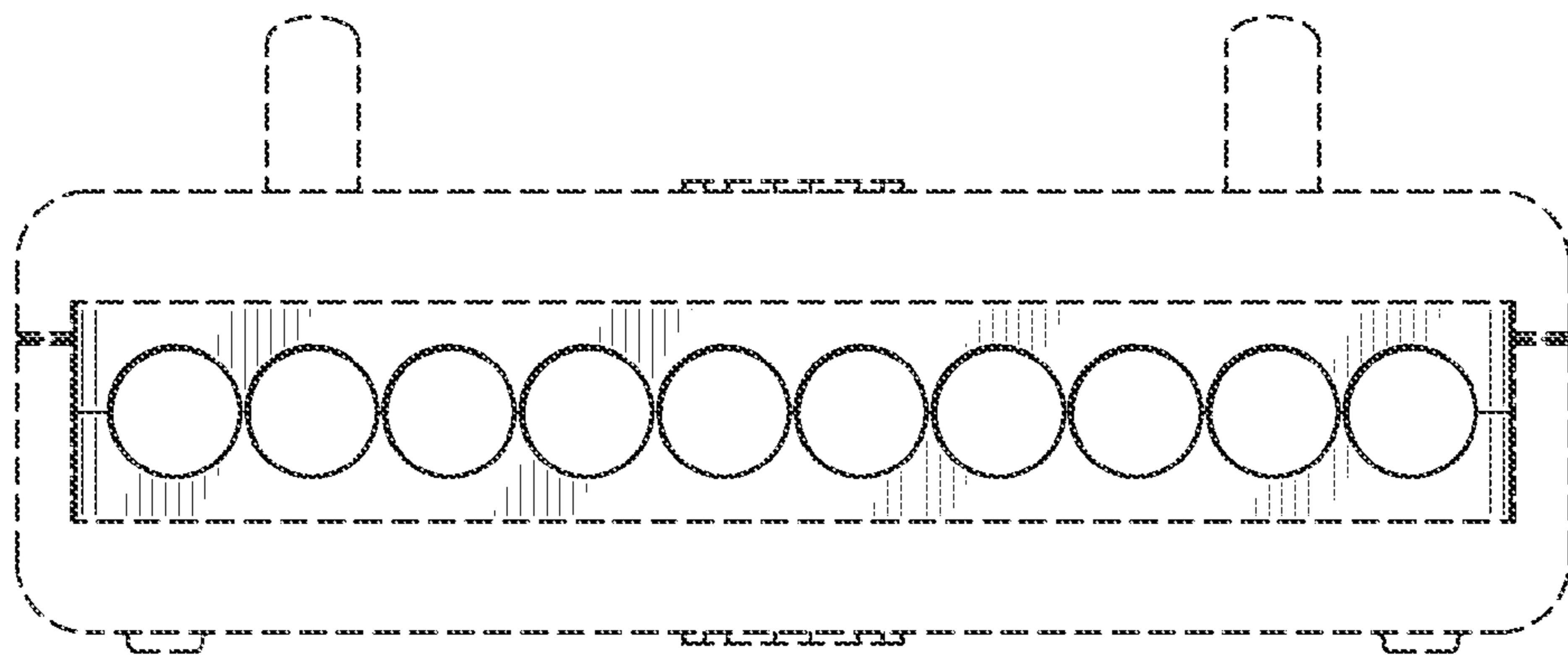


FIG. 4

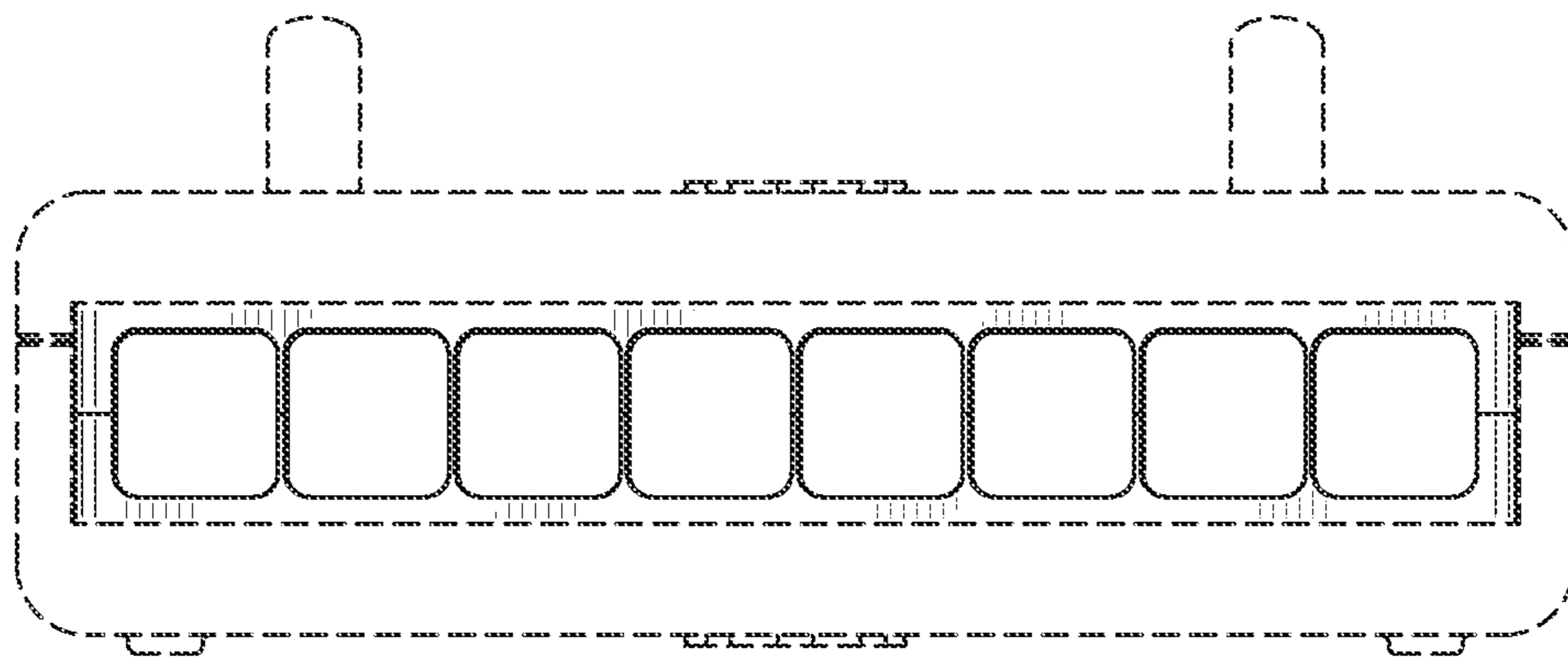


FIG. 5