



US00D691426S

(12) **United States Design Patent**
Brown et al.

(10) **Patent No.:** **US D691,426 S**
(45) **Date of Patent:** **** Oct. 15, 2013**

(54) **COLANDER**

(75) Inventors: **Emily T. Brown**, Minneapolis, MN
(US); **Patrick R. O'Connell**, St. Louis
Park, MN (US)

(73) Assignee: **Target Brands, Inc.**, Minneapolis, MN
(US)

(**) Term: **14 Years**

(21) Appl. No.: **29/430,281**

(22) Filed: **Aug. 23, 2012**

(51) **LOC (9) Cl.** **07-04**

(52) **U.S. Cl.**
USPC **D7/667**

(58) **Field of Classification Search**

USPC D7/700, 354, 356, 357, 361, 368, 396.2,
D7/667, 400, 409, 543, 523, 510, 512, 629,
D7/668, 669, 691, 589, 412, 415, 545, 546,
D7/547, 548, 549, 692, 701, 705, 598, 599,
D7/600, 603, 622; D30/129, 132, 162;
D14/208; D24/122; D23/200; D9/436,
D9/434, 503, 536; D10/46.2, 46.3, 49;
D15/150, 152; 210/314, 456, 464,
210/470-478, 497.1, 498, 499, 249, 480,
210/481, 493.3, 493.5, 497.01, 500.42;
141/297-300, 331-345, 95, 98,
141/199-205, 384, 386; 99/324, 325, 339,
99/416, 415, 425, 426, 345, 495, 490,
99/505-510, 403; 220/86.2, 609, 904;
215/316, 321, 329, 43; 294/179;
100/110, 113, 116, 127, 213, 248;
222/129

See application file for complete search history.

(56) **References Cited**

U.S. PATENT DOCUMENTS

D211,047 S * 5/1968 Johnson D10/46.2

D220,845 S * 6/1971 Mascetti D7/533
D243,500 S * 3/1977 Cooper D10/46.2
4,123,228 A * 10/1978 Frei et al. 422/274
4,136,022 A * 1/1979 Hutzler et al. 209/357
D251,229 S * 3/1979 Wooters D7/701
D255,862 S * 7/1980 Ferrin D7/312
D272,704 S * 2/1984 Smith D10/46.2
D279,532 S * 7/1985 Pozzi D7/545
D287,324 S * 12/1986 Schmidt D10/46.2

(Continued)

OTHER PUBLICATIONS

Over the sink strainer, [online], updated on Mar. 16, 2013, retrieved on Apr. 30, 2013. Retrieved from, <URL: <http://www.oempromo.com/product/Colanders/O/Over-The-Sink-Strainer-282901.htm>>, 1 page.*

(Continued)

Primary Examiner — Ian Simmons

Assistant Examiner — Shannon Weekley

(74) *Attorney, Agent, or Firm* — Leanne Taveggia Farrell;
Westman, Champlin & Koehler, P.A.

(57) **CLAIM**

The ornamental design for a colander, as shown and described.

DESCRIPTION

FIG. 1 is a top, front perspective view of a colander showing our new design;

FIG. 2 is a front elevational view thereof;

FIG. 3 is a rear elevational view thereof;

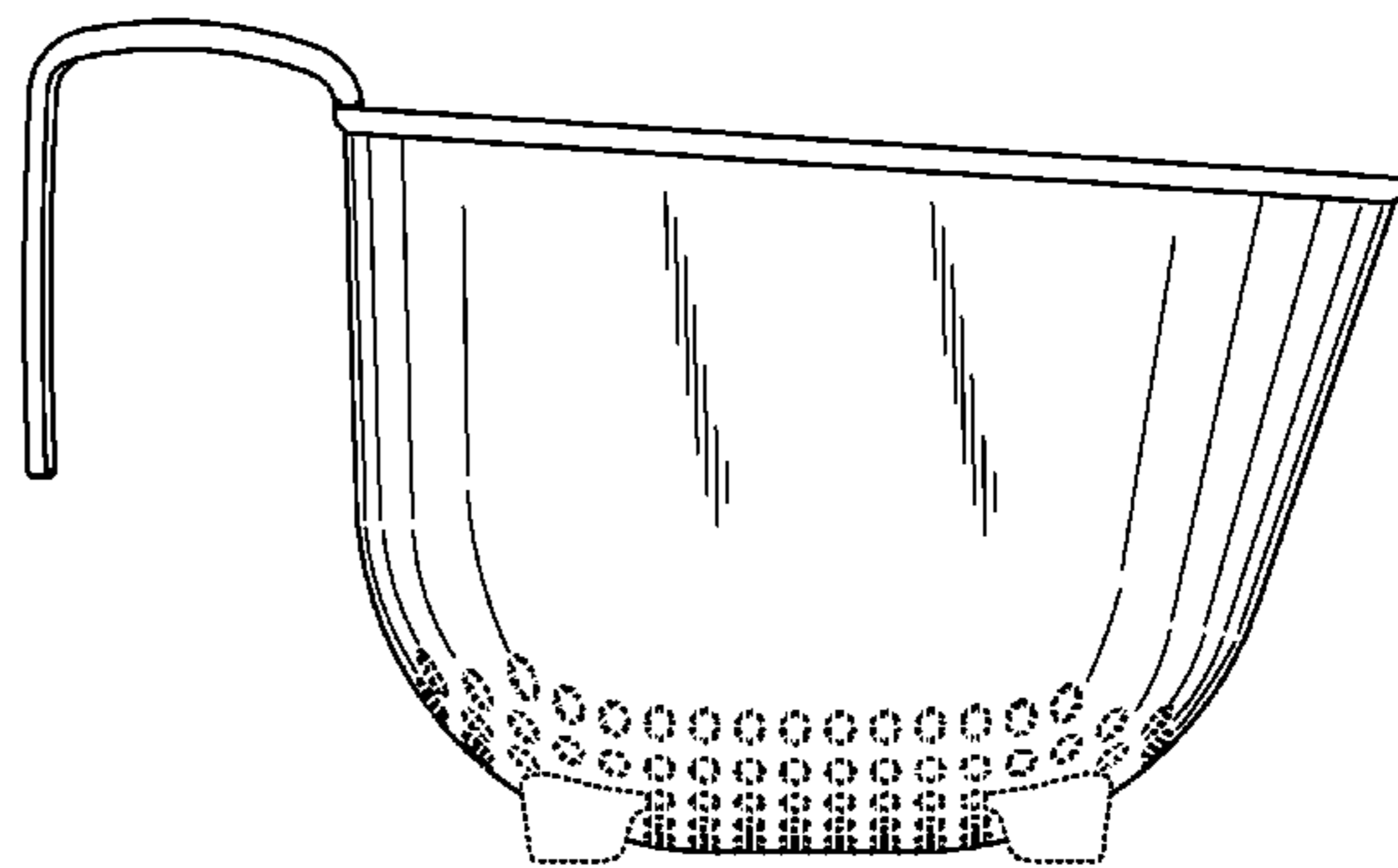
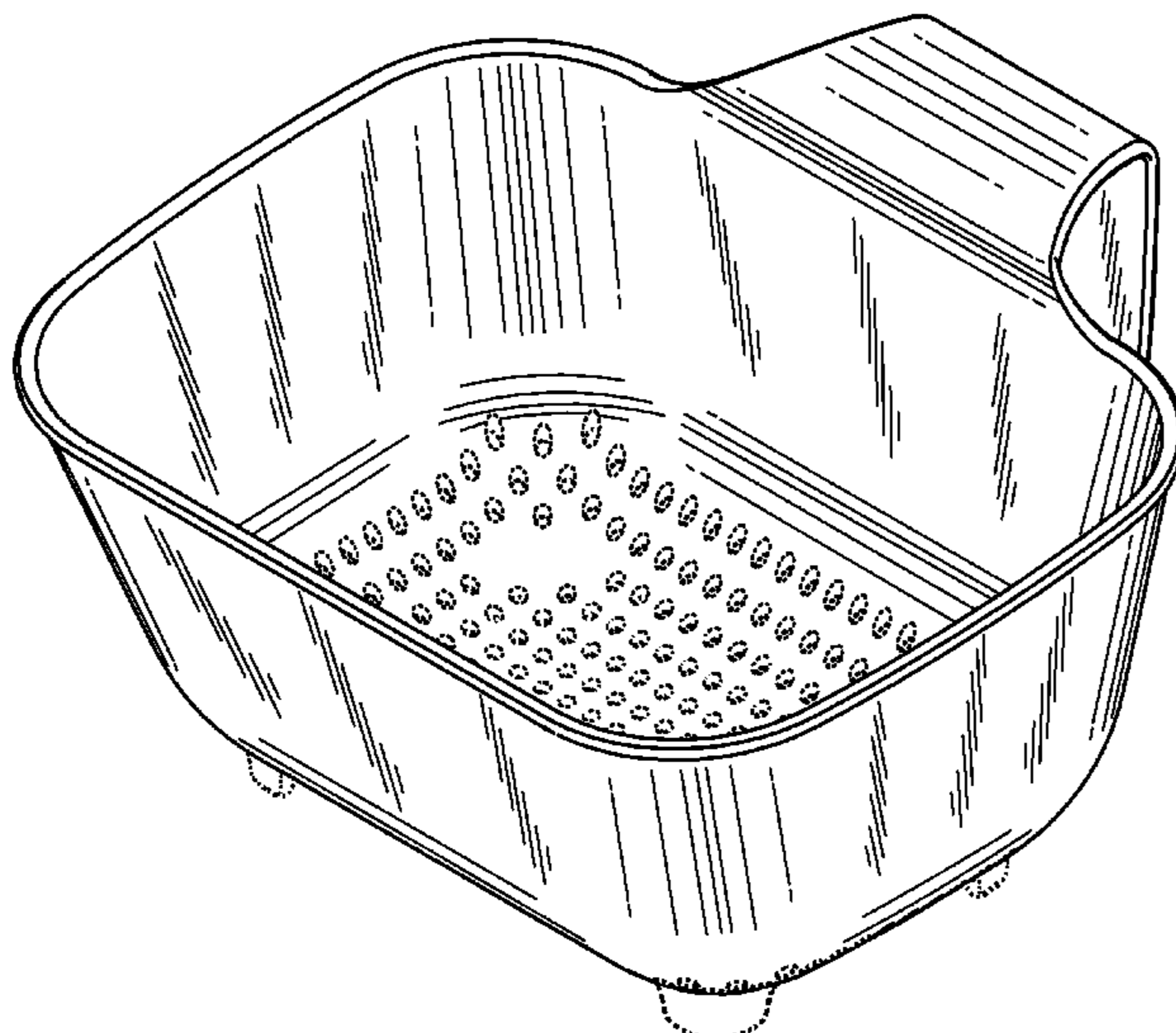
FIG. 4 is a left side elevational view thereof, the right side elevational view being an identical mirror image;

FIG. 5 is a top plan view thereof; and,

FIG. 6 is a bottom plan view thereof.

The broken lines in FIGS. 1-6 of the colander are for the purpose of illustrating environment, and forms no part of the claimed design.

1 Claim, 5 Drawing Sheets



(56)

References Cited

U.S. PATENT DOCUMENTS

D339,720 S 9/1993 Kolada
 5,279,007 A * 1/1994 Kolada 4/639
 D346,725 S 5/1994 Kolada
 D347,354 S * 5/1994 Naft D7/354
 D361,477 S 8/1995 Licari
 D385,756 S 11/1997 Licari
 D396,609 S 8/1998 Licari
 D396,610 S 8/1998 Licari
 D403,210 S 12/1998 Licari
 D403,211 S * 12/1998 Weterrings D7/691
 6,076,700 A * 6/2000 Manges 220/751
 D432,368 S 10/2000 Kaposi et al.
 D437,192 S * 2/2001 Verherbrugghen et al. ... D7/691
 6,263,732 B1 * 7/2001 Hoeting et al. 73/427
 6,340,038 B1 * 1/2002 Ingram 141/333
 D479,994 S * 9/2003 Cendejas D9/432
 D486,355 S * 2/2004 Lyall, III D7/400
 D503,313 S 3/2005 Shamoon
 D514,764 S 2/2006 Kumagai
 D530,632 S * 10/2006 Kaposi D10/46.2
 D559,029 S * 1/2008 Gonzalez et al. D7/318
 D559,634 S * 1/2008 Chan D7/668
 7,441,675 B2 * 10/2008 McGinley et al. 222/129
 D619,427 S 7/2010 Poteet
 D625,961 S * 10/2010 Kent D7/586
 D628,861 S 12/2010 Lane
 D642,080 S * 7/2011 Schmitt D10/46.2
 D651,469 S * 1/2012 Myoung et al. D7/543
 D665,234 S * 8/2012 Bagley D7/667
 2001/0042402 A1 * 11/2001 Hoeting et al. 73/427
 2008/0312556 A1 * 12/2008 Dijkman 600/584
 2012/0285879 A1 * 11/2012 Housley 210/249

OTHER PUBLICATIONS

Personalized Strainer, [online], published on Mar. 26, 2010, retrieved on Apr. 30, 2013. Retrieved from, <URL: <http://info.4imprint.com/tag/personalized-strainer/>>, 1 page.*
 Google image search—Joseph Joseph Square Colanger, [online], photo uploaded on Mar. 7, 2013, retrieved on May 1, 2013. Retrieved from, <URL:<http://www.google.com/imgres?q=target+colander&start=78&um=1&safe=active&sa=N&rls=com.microsoft:en-us:IE-SearchBox&hl=en&biw=1280&bih=742&tbm=isch&tbnid=VTtaobpWPK-IYM:&imgrefurl=http://coo...>>, 1 page.*
 Large square colander by Joseph Joseph Review and Giveaway, [online], published on Aug. 1, 2012, retrieved on May 1, 2013. Retrieved from, <URL: <http://twoclassychics.com/2012/08/large-square-colander-by-joseph-joseph-review-and-giveaway/>>, 1 page.*
 Google image search of Joseph Joseph Medium Square Colander, [online], photo uploaded on Aug. 16, 2007, retrieved on May 1, 2013. Retrieved from, <URL: http://www.google.com/imgres?q=target+colander&start=256&um=1&safe=active&sa=N&rls=com.microsoft:en-us:IE-SearchBox&hl=en&biw=1280&bih=742&tbm=isch&tbnid=C5WIVIVaQ2W5_M:&imgrefurl=http...>, 1 page.*
 Ehost, “Home+ Garden,” <https://protected.ehost.com/quality/cart/fall2011/garden.html>, 1 pages, at least as early as Jul. 6, 2012.
 Oempromo, “Over the Sink Strainer,” <http://www.oempromo.com/product/Strainers/O/Over-The-Sink-Strainer-282902.htm>, 1 page, at least as early as Jul. 6, 2012.
 Taylor Gifts, “Collapsible Hanging Colander,” http://www.taylorgifts.com/item/collapsible_hanging_colander/37511, 1 page, at least as early as Jul. 6, 2012.
 Chef’s Resource, “Square Colander (Red)—Joseph Joseph,” <http://www.chefsresource.com/square-colander-red-joseph-joseph.html?siorigin=pla>, 1 page, at least as early as Jul. 6, 2012.

* cited by examiner

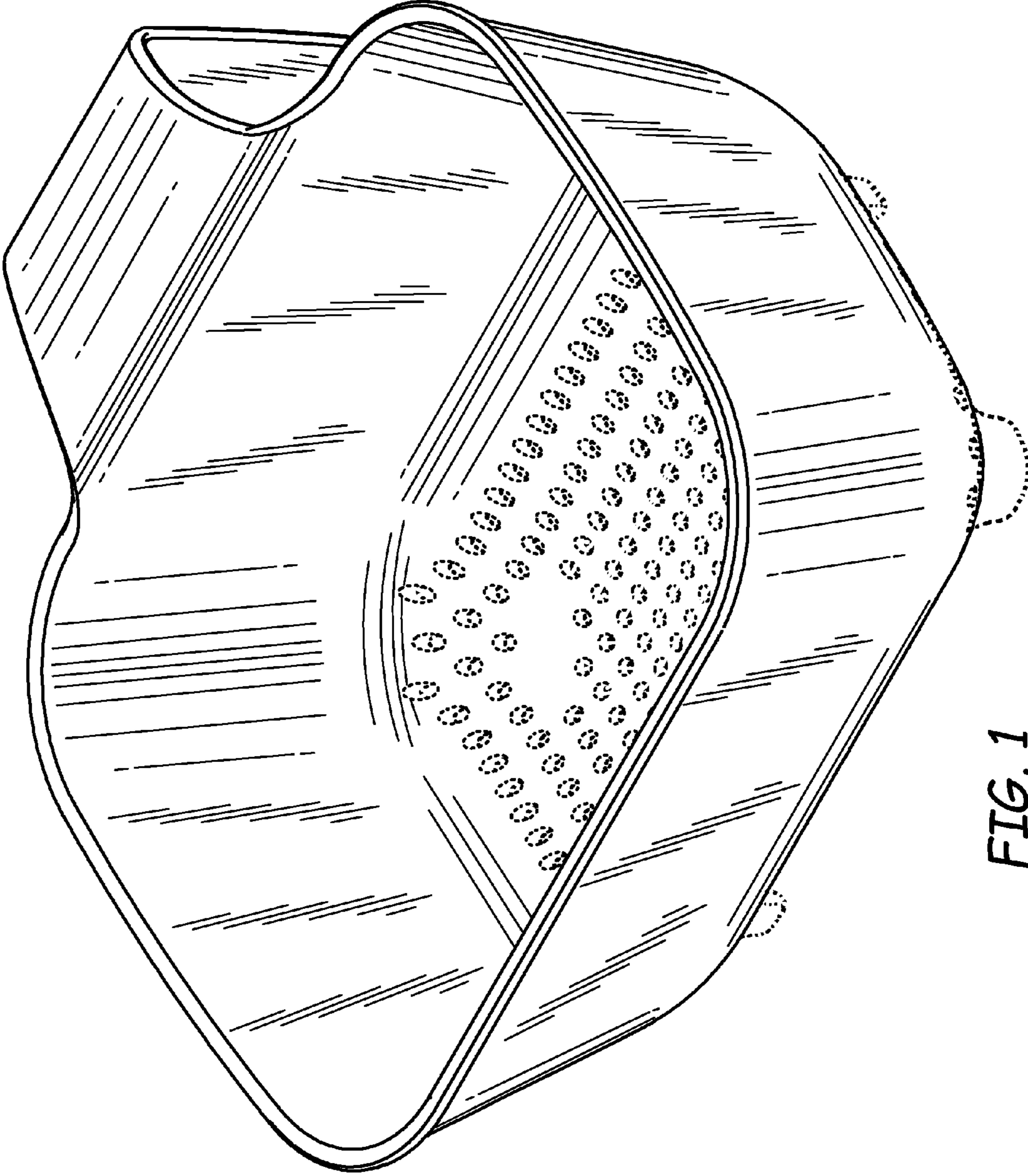


FIG. 1

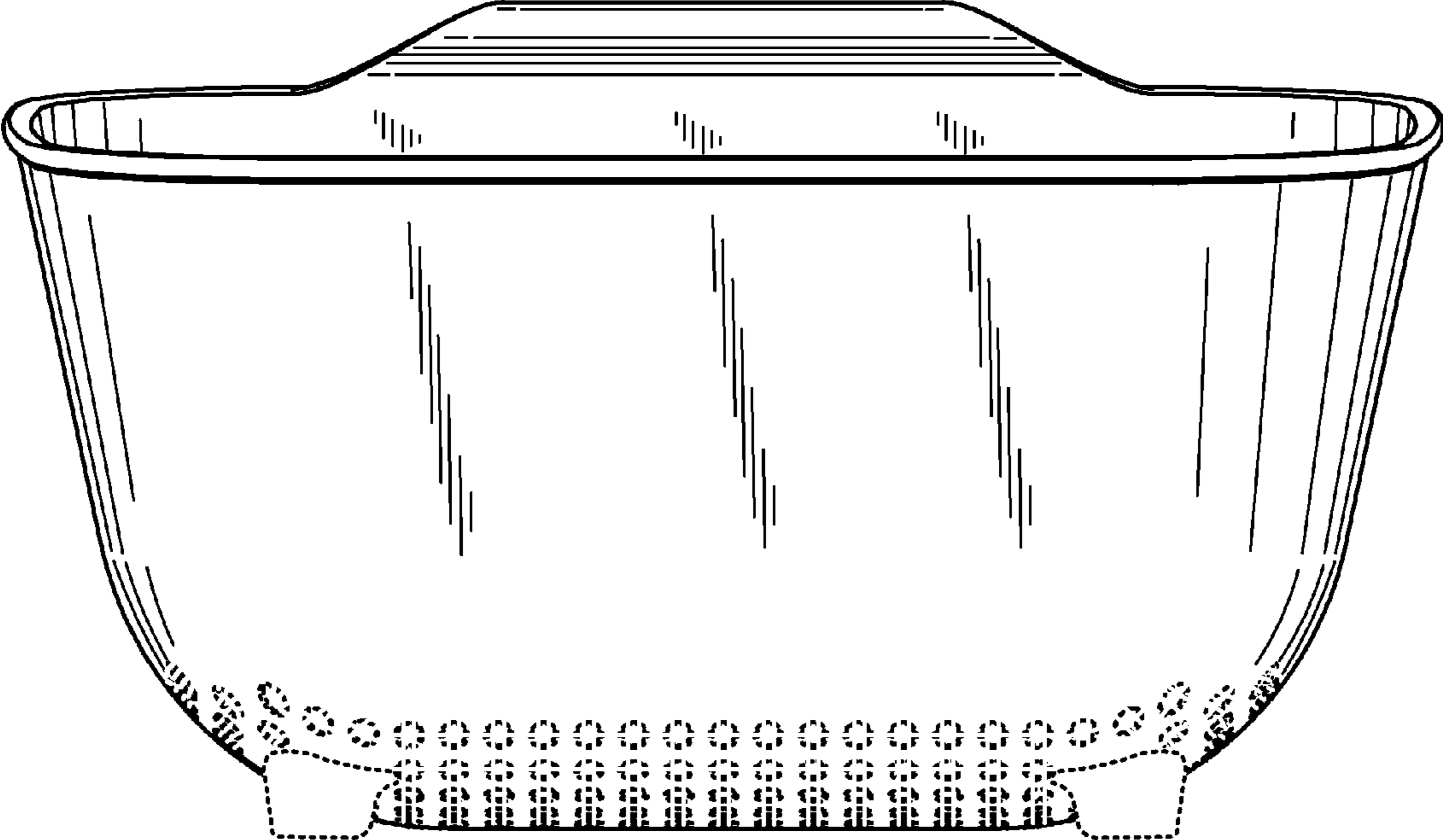


FIG. 2

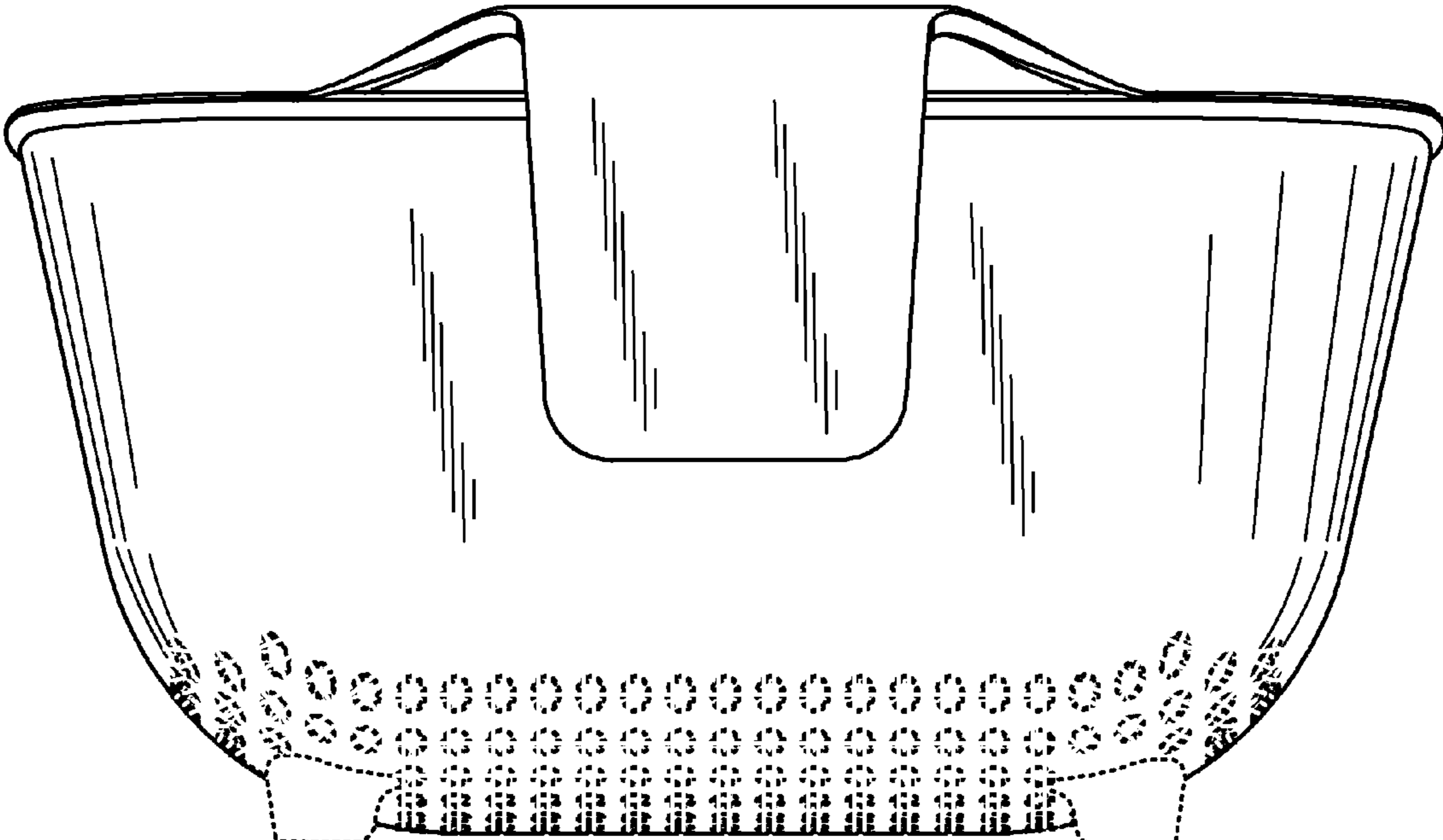


FIG. 3

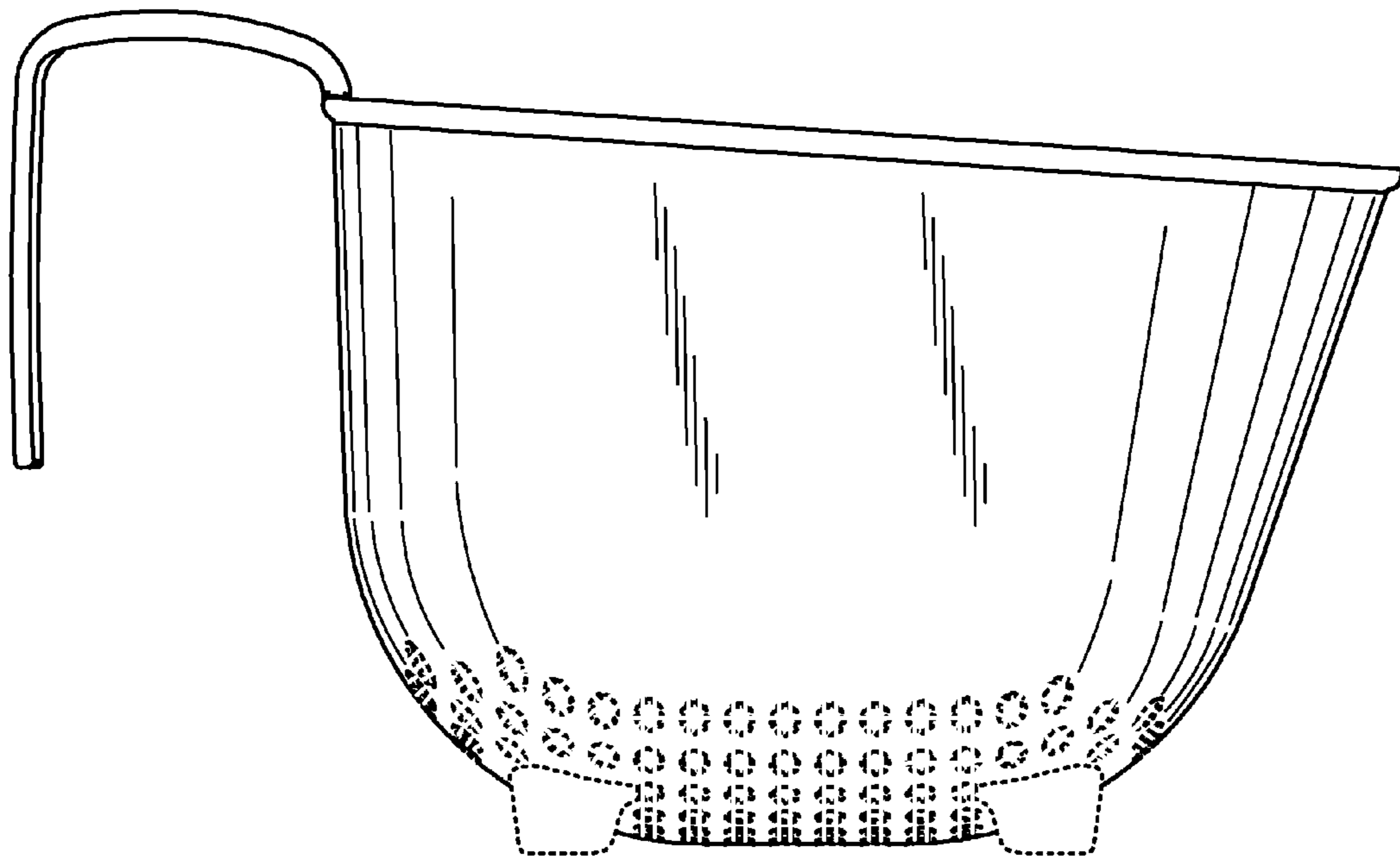


FIG. 4

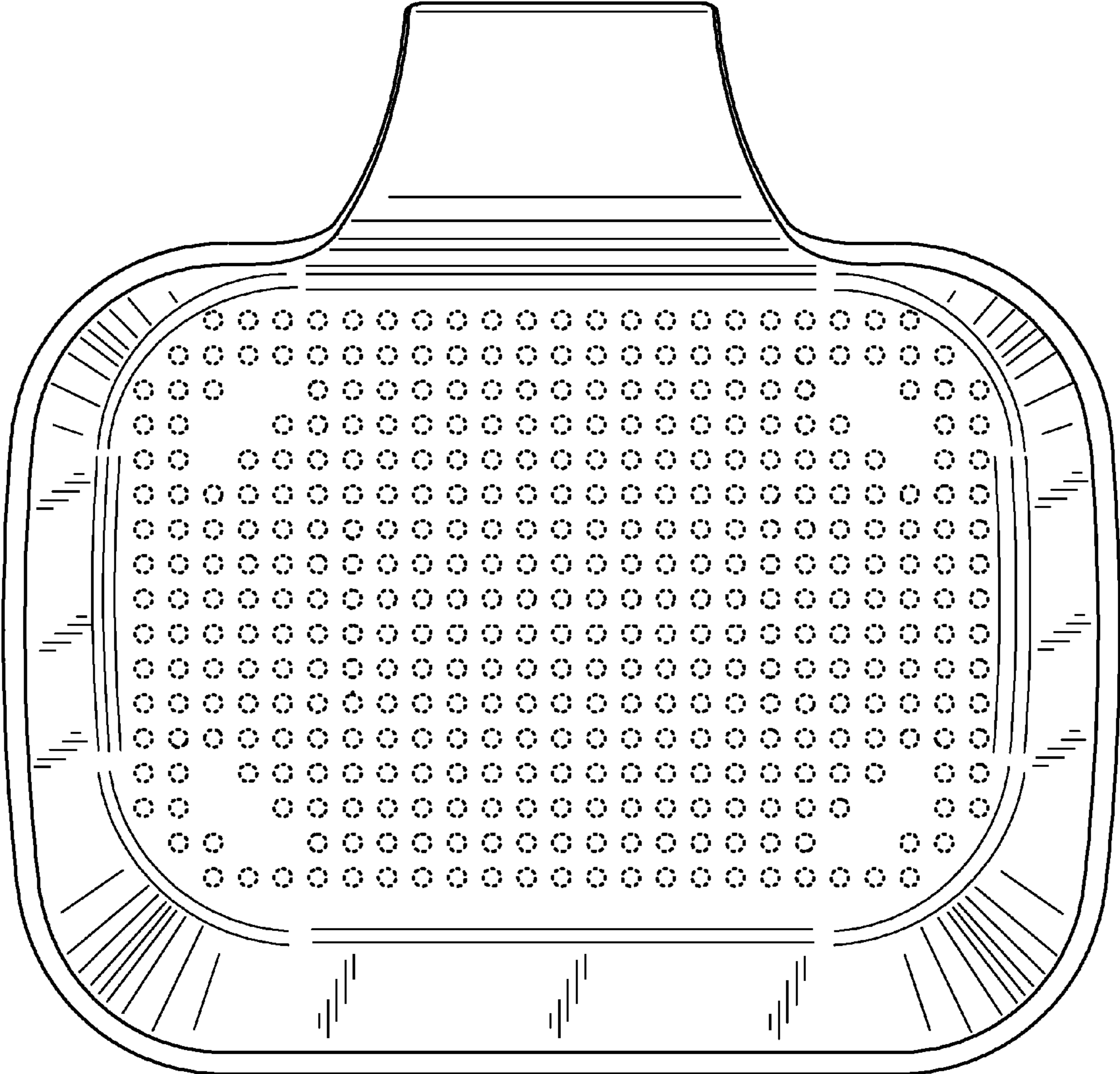


FIG. 5

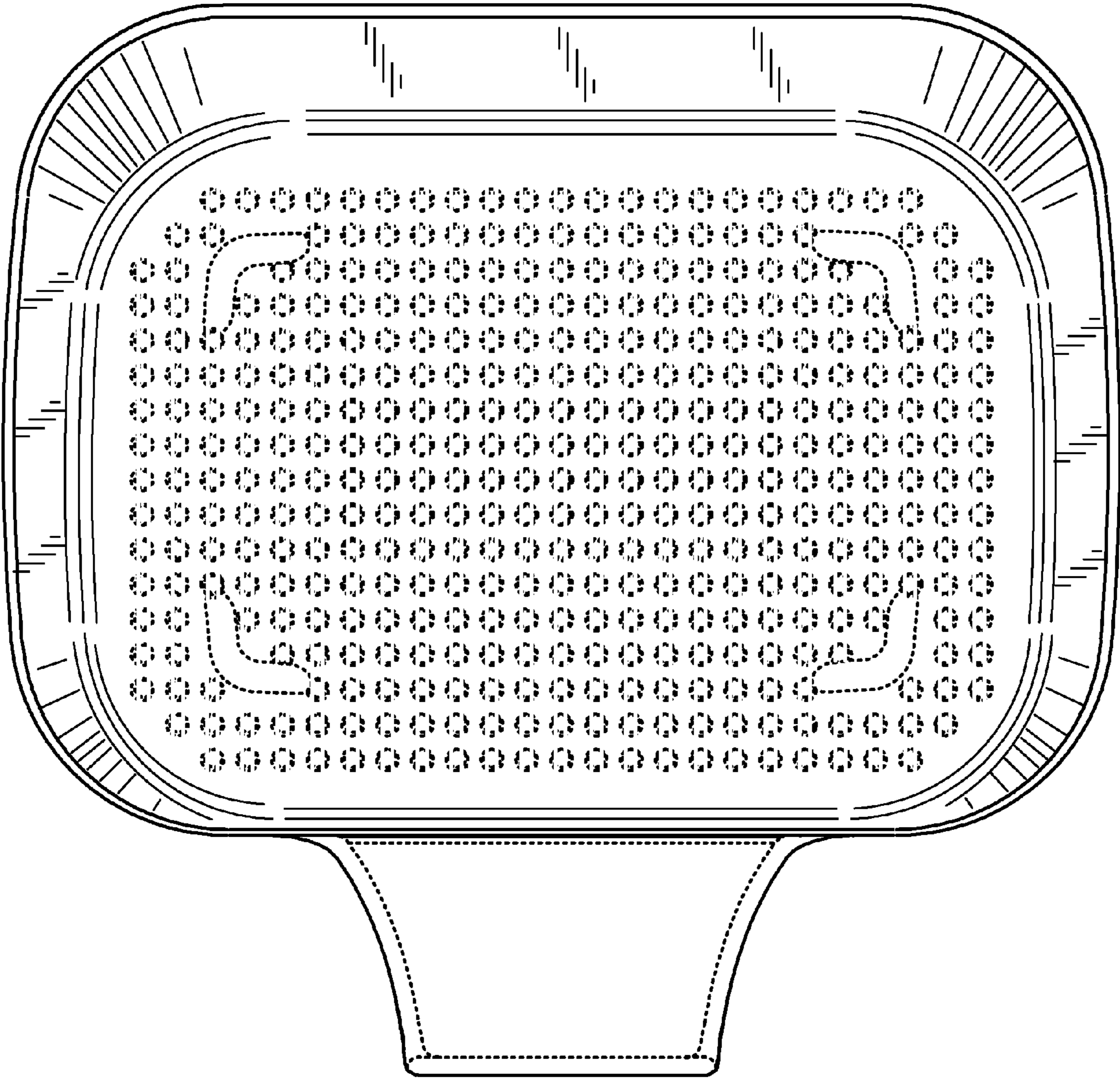


FIG. 6