

US00D691420S

(12) **United States Design Patent**
McIntire

(10) **Patent No.:** **US D691,420 S**

(45) **Date of Patent:** **** Oct. 15, 2013**

(54) **WATER BOTTLE**

(75) Inventor: **Brett David McIntire**, Pleasanton, CA
(US)

(73) Assignee: **Brita LP**, Oakland, CA (US)

(**) Term: **14 Years**

(21) Appl. No.: **29/417,057**

(22) Filed: **Mar. 29, 2012**

(51) **LOC (9) Cl.** **07-01**

(52) **U.S. Cl.**
USPC **D7/510**; D7/511

(58) **Field of Classification Search**
USPC D7/523, 510, 511, 509; D9/556, 503;
D24/197; 220/737, 703, 592.16,
220/592.17, 710.5; 210/120, 275; 215/384
See application file for complete search history.

(56) **References Cited**

U.S. PATENT DOCUMENTS

D339,503 S *	9/1993	Callaway	D7/510
5,273,172 A	12/1993	Rossbach et al.		
D398,478 S *	9/1998	Spencer	D7/510
D412,087 S *	7/1999	Spencer	D7/510
6,135,311 A	10/2000	Pance et al.		
D442,434 S *	5/2001	Klima et al.	D7/510
6,619,518 B1	9/2003	Lee		
D547,607 S	7/2007	Forsman		
7,516,862 B2	4/2009	McDonough		
7,533,783 B2	5/2009	Choi et al.		
D610,402 S	2/2010	Carreno		

D613,110 S	4/2010	Lane et al.		
D625,424 S *	10/2010	MacKay et al.	D24/197
7,810,651 B2	10/2010	Miga, Jr.		
7,824,545 B2	11/2010	Windmiller		
D657,194 S *	4/2012	McIntire et al.	D7/510
2007/0039959 A1	2/2007	Choi et al.		
2008/0203007 A1	8/2008	Jang et al.		
2008/0237233 A1	10/2008	Choi et al.		
2010/0219151 A1	9/2010	Risheq		
2010/0237002 A1	9/2010	Shani		

FOREIGN PATENT DOCUMENTS

WO WO201085367 7/2010

* cited by examiner

Primary Examiner — Marianne Pandozzi

(74) *Attorney, Agent, or Firm* — Stacy H. Combs

(57) **CLAIM**

The ornamental design for water bottle, as shown and described.

DESCRIPTION

FIG. 1 is a perspective view of a water bottle of the present invention;

FIG. 2 is a top view thereof;

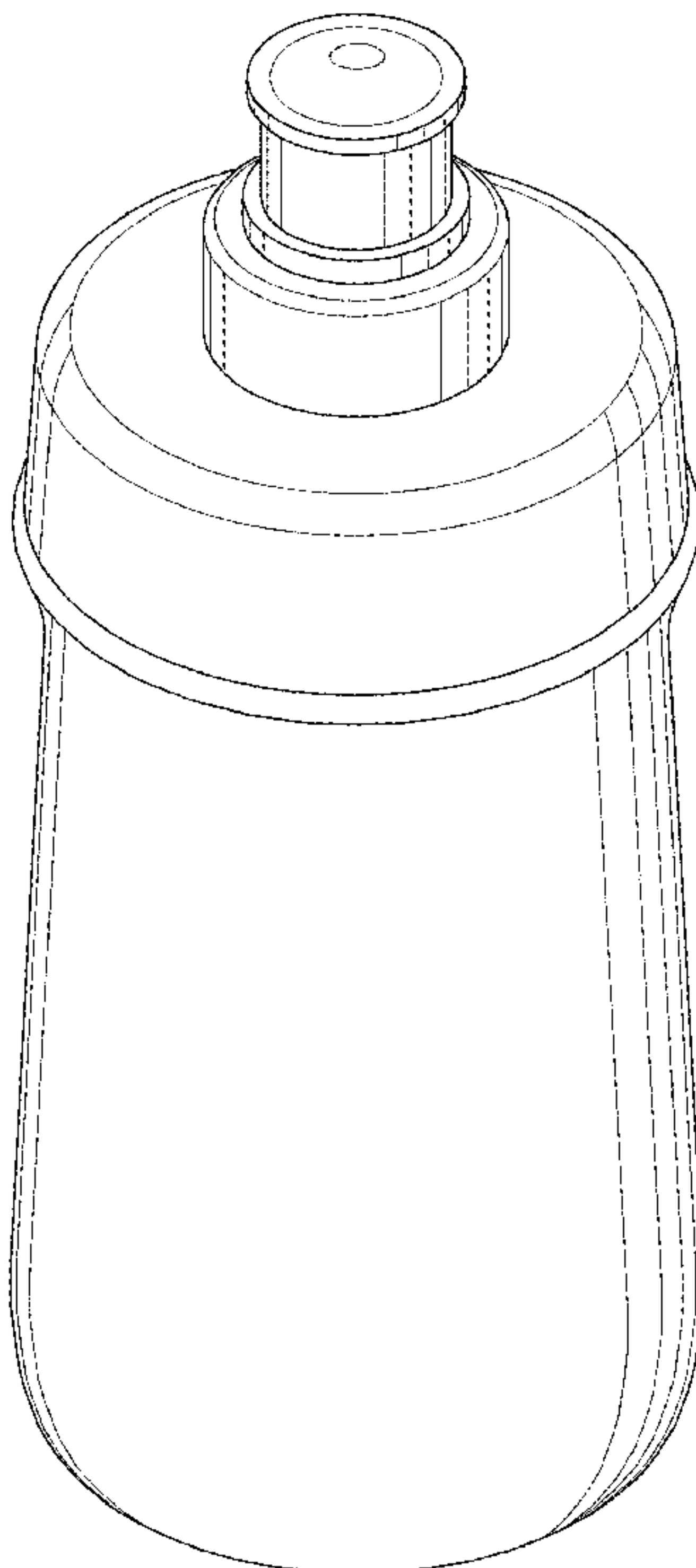
FIG. 3 is a bottom view thereof;

FIG. 4 is a left side view thereof, the right side being identical; and,

FIG. 5 is a front view thereof, the rear view being identical.

The broken lines showing environmental structure are for illustrative purposes only and form no part of the claimed design.

1 Claim, 2 Drawing Sheets



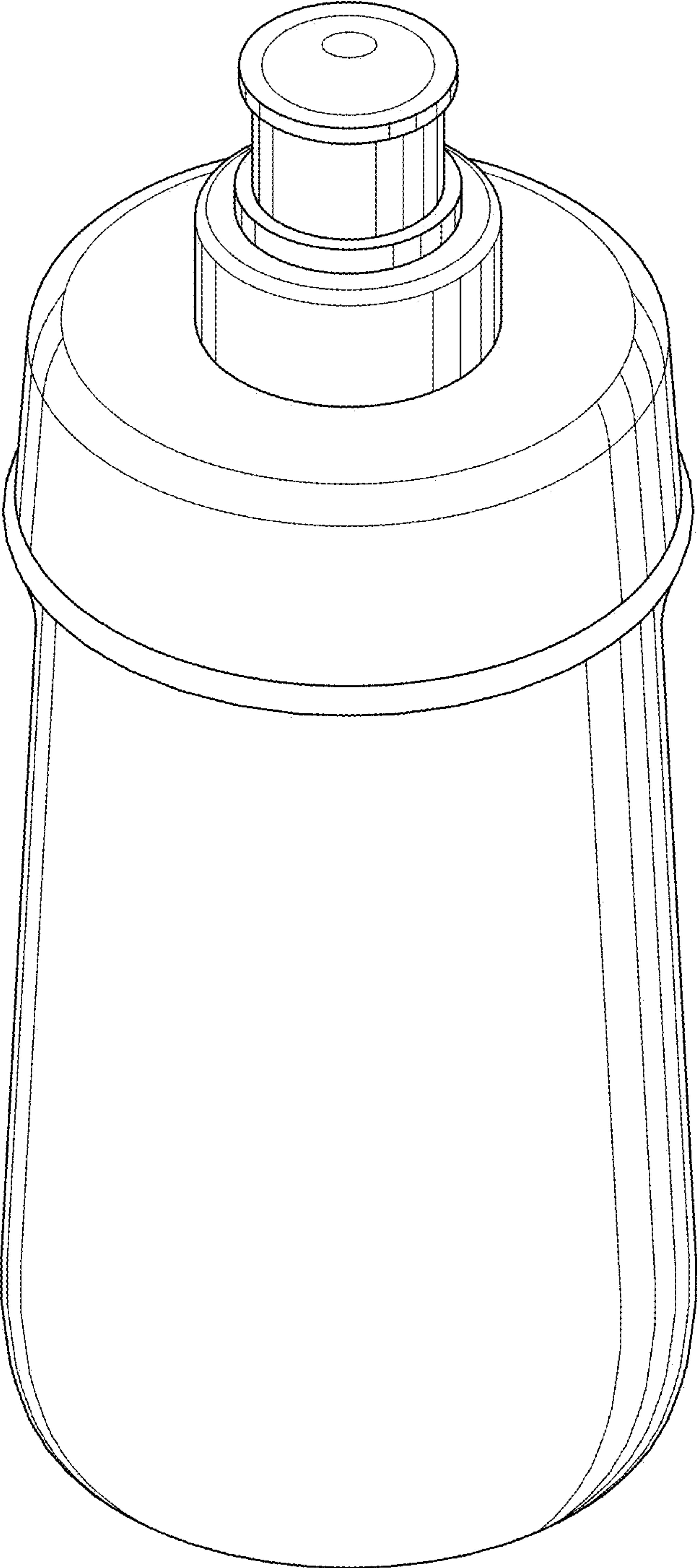


FIG. 1

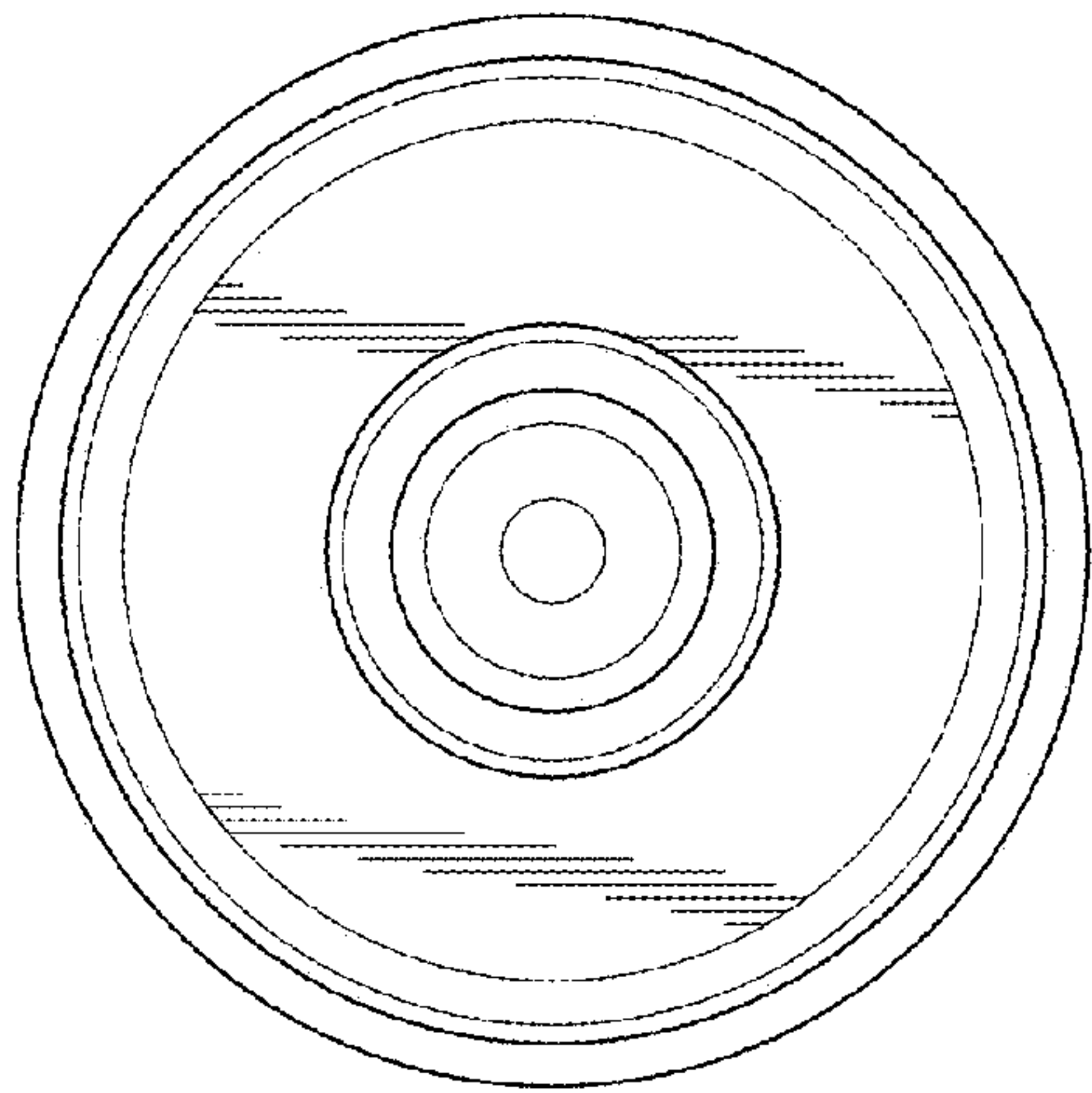


FIG. 2

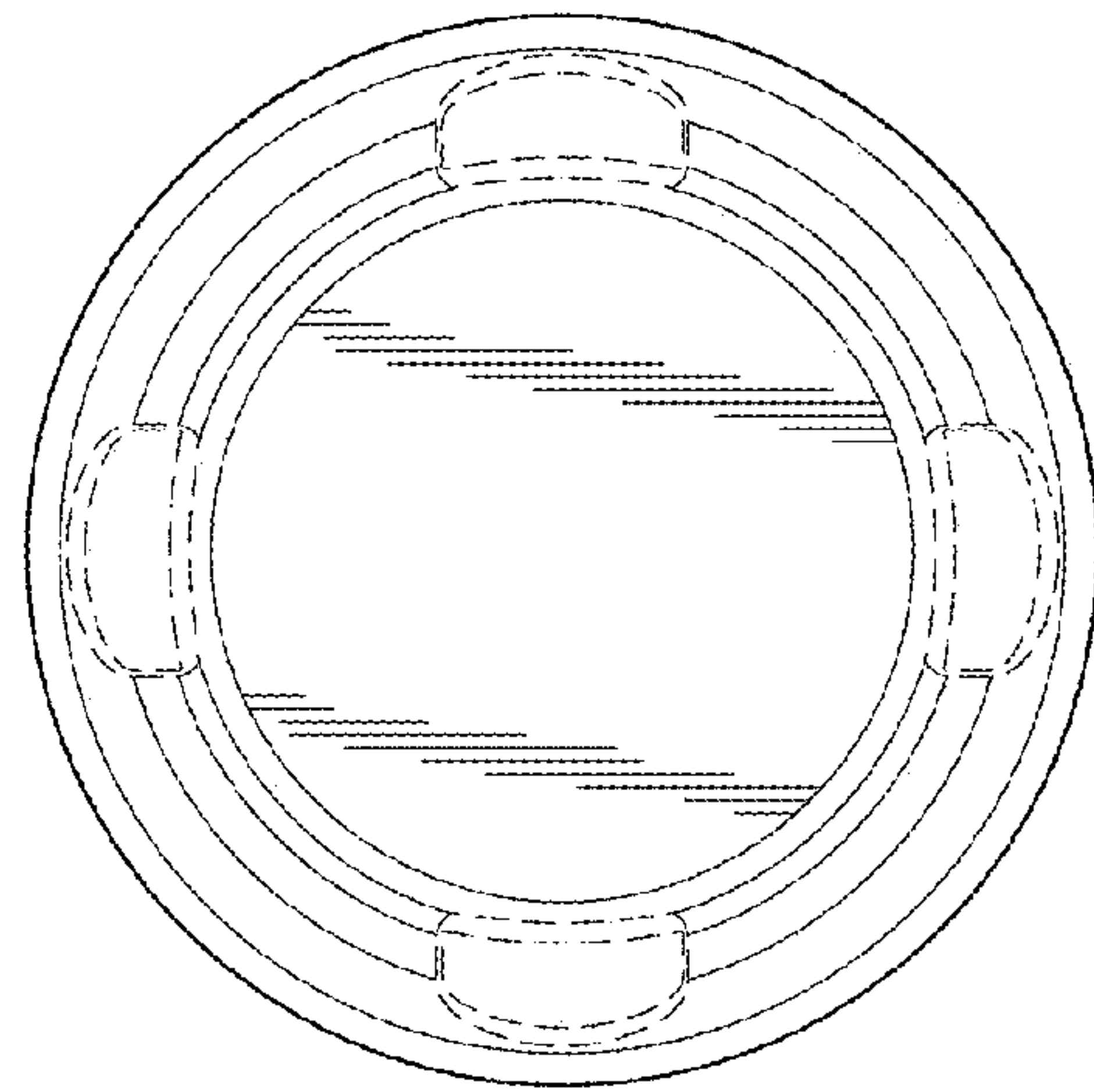


FIG. 3

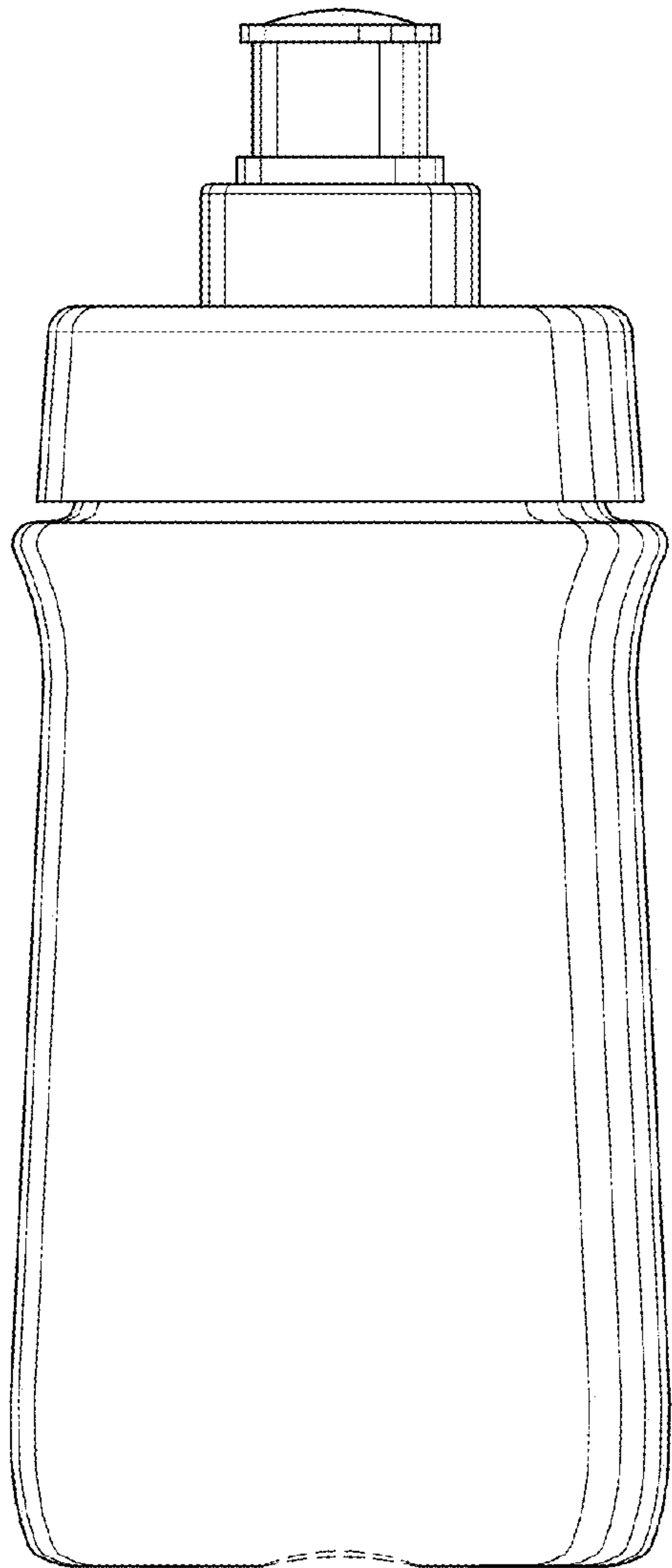


FIG. 4

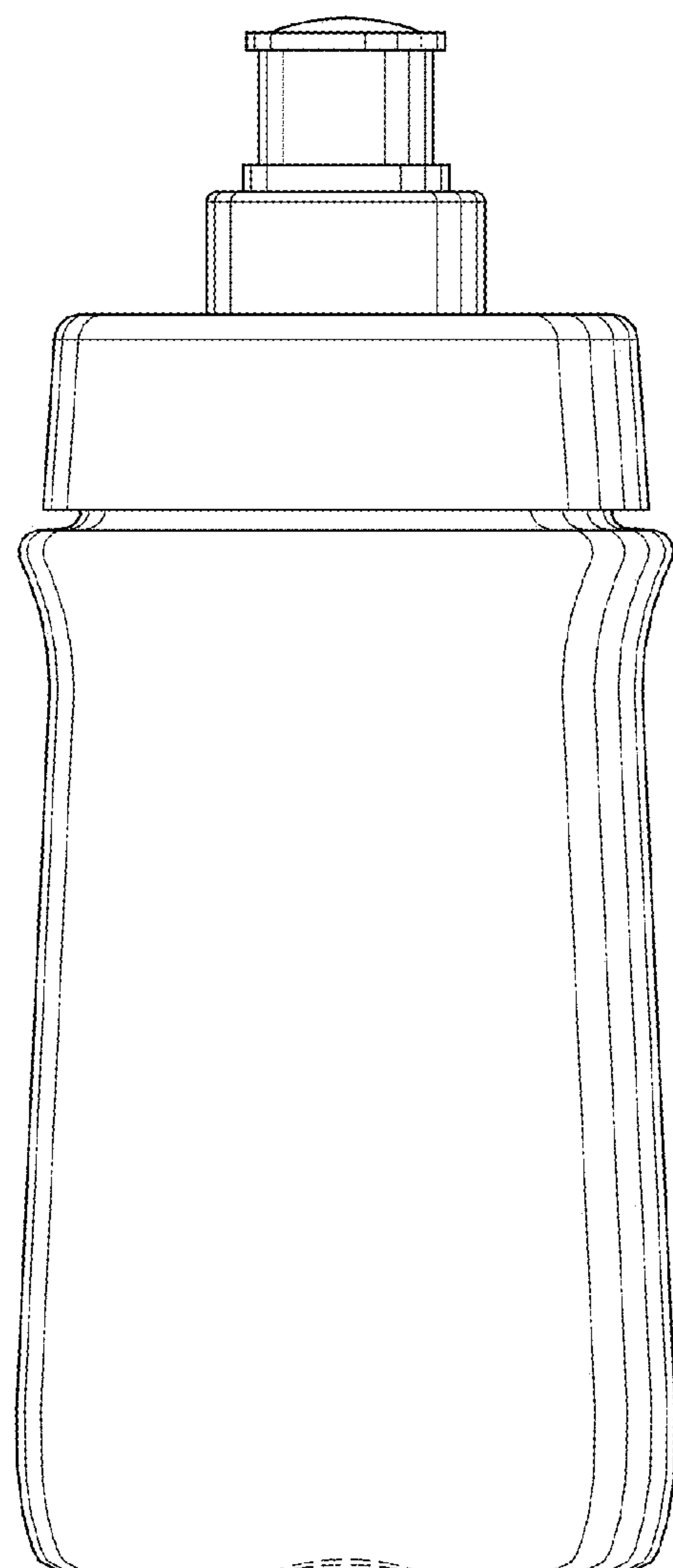


FIG. 5