



US00D691419S

(12) **United States Design Patent**
Bhasin

(10) **Patent No.:** **US D691,419 S**

(45) **Date of Patent:** **** Oct. 15, 2013**

(54) **KNIFE**

(71) Applicant: **B.H.P. Industries Co., Ltd.**, Suita (JP)

(72) Inventor: **Hanuman Prasad Bhasin**, Suita (JP)

(73) Assignee: **B.H.P. Industries Co., Ltd.**, Suita-shi (JP)

(**) Term: **14 Years**

(21) Appl. No.: **29/445,618**

(22) Filed: **Feb. 14, 2013**

(51) **LOC (9) Cl.** **07-03**

(52) **U.S. Cl.**
USPC **D7/401.2; D7/649**

(58) **Field of Classification Search**
USPC D7/368, 393-395, 401.2, 642-646,
D7/649-654, 660-664, 669, 675-676, 683,
D7/688-692, 695-696; D8/25, 83, 99,
D8/107, 303; D18/34.9; 30/137, 141-143,
30/147-150, 322-327, 329, 335, 340,
30/342-344, 355; 416/70 R
See application file for complete search history.

(56) **References Cited**

U.S. PATENT DOCUMENTS

D149,677 S * 5/1948 Roblin D7/395
D424,887 S * 5/2000 Stokes D7/649
6,108,915 A * 8/2000 Verdier et al. 30/355

D445,313 S * 7/2001 Jorge D7/649
D445,663 S * 7/2001 Chen D8/107
D458,517 S * 6/2002 Parlowski D7/649
D458,629 S * 6/2002 Odman D18/34.9
D458,810 S * 6/2002 Parlowski D7/649
D496,563 S * 9/2004 Marsden et al. D7/650
D525,088 S * 7/2006 Fort et al. D7/652
D545,140 S * 6/2007 Hasegawa D7/649
D639,615 S * 6/2011 Krapfl et al. D7/649
D678,734 S * 3/2013 Harris et al. D7/649

* cited by examiner

Primary Examiner — Ricky Pham

(74) *Attorney, Agent, or Firm* — W. F. Fasse

(57) **CLAIM**

The ornamental design for a knife, as shown and described.

DESCRIPTION

FIG. 1 is a front view of a knife showing my new design;
FIG. 2 is a top plan view thereof;
FIG. 3 is a bottom plan view thereof;
FIG. 4 is a left side view thereof;
FIG. 5 is a right side view thereof;
FIG. 6 is a cross-sectional view taken along the arrowed line
6-6 of FIG. 1 thereof; and,
FIG. 7 is a cross-sectional view taken along the arrowed line
7-7 of FIG. 1 thereof.
The broken lines show an unclaimed portion of the knife, and
form no part of the claimed design.

1 Claim, 3 Drawing Sheets

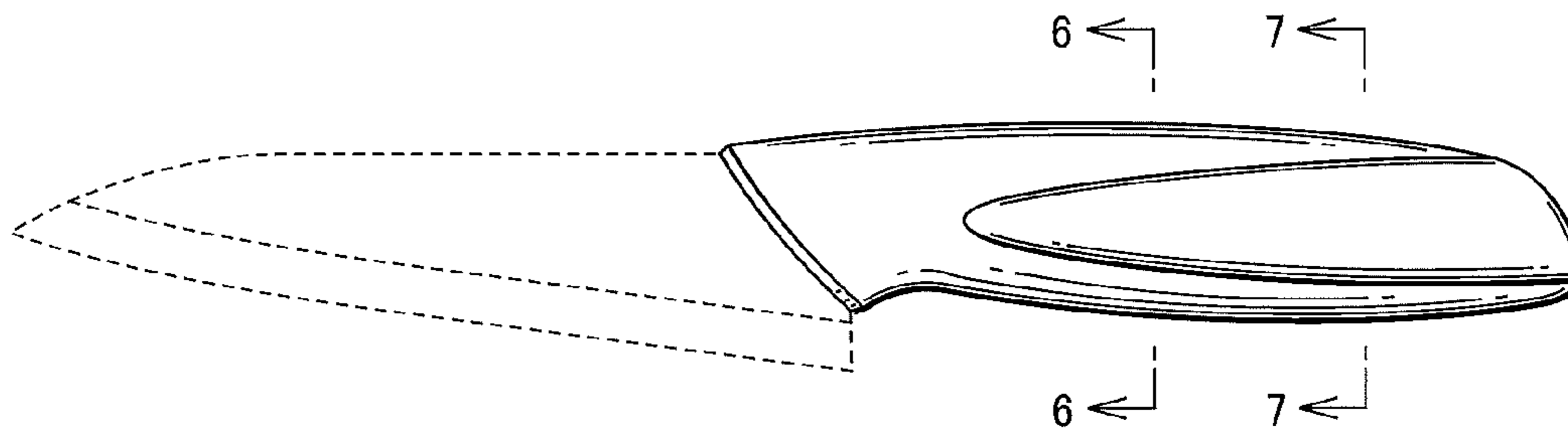


FIG.1

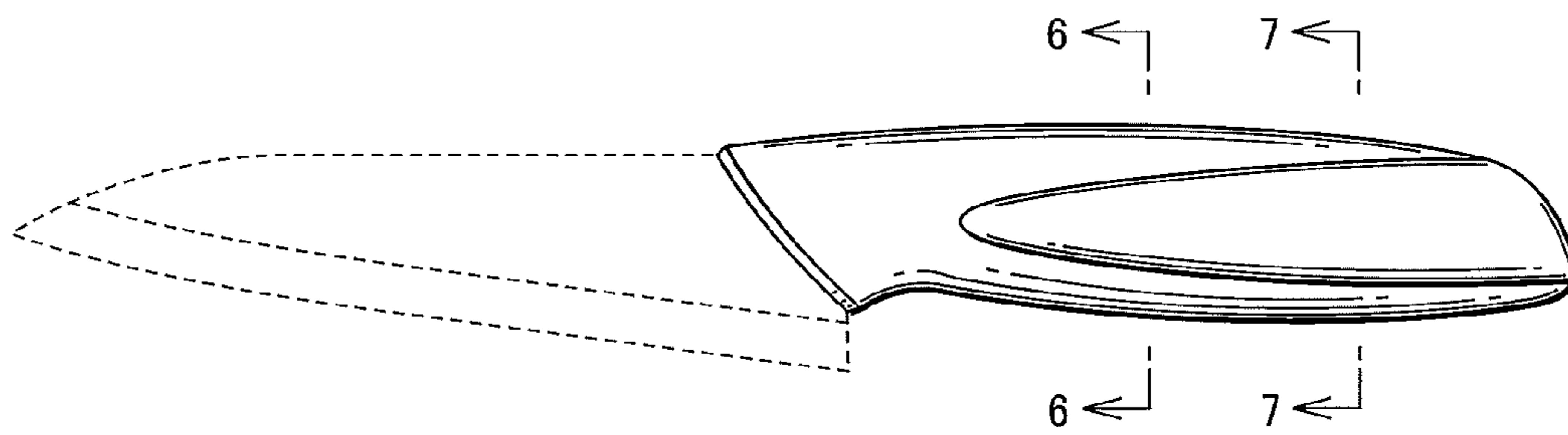


FIG.2

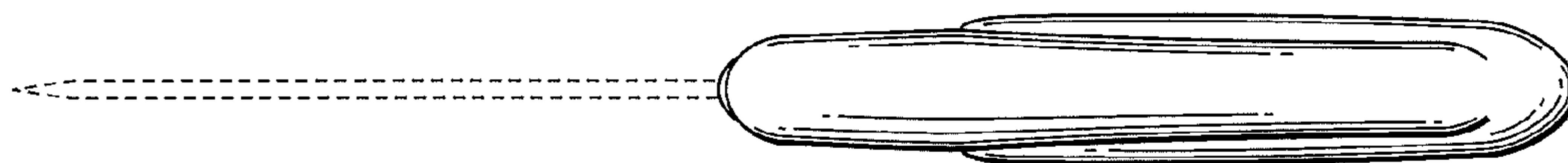


FIG.3

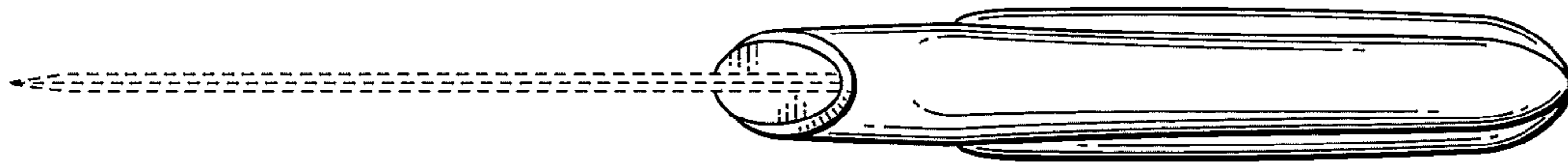


FIG.4

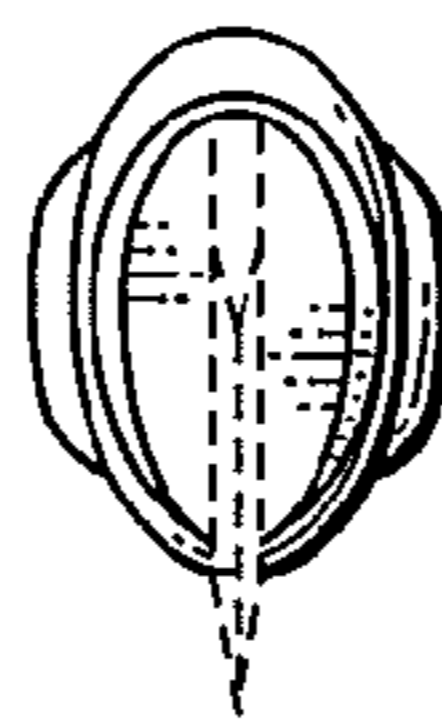


FIG.5



FIG.6



FIG.7

