



US00D691417S

(12) **United States Design Patent**
Dichraff et al.

(10) **Patent No.:** **US D691,417 S**
(45) **Date of Patent:** **** Oct. 15, 2013**

(54) **COFFEE POT PRESS**
(75) Inventors: **Aric Dichraff**, Madison, WI (US); **Craig Stevenson**, Saukville, WI (US); **Morad Ghassemian**, Oak Park, IL (US); **William Cesaroni**, Glenview, IL (US)

D372,627 S 8/1996 Ireland
D395,788 S 7/1998 Holland
D407,943 S 4/1999 Chen
6,135,010 A 10/2000 Husted et al.
D441,248 S 5/2001 Brady
D449,957 S 11/2001 Yeh
6,324,967 B1 12/2001 Robinson
6,422,133 B1 7/2002 Brady

(73) Assignee: **Hy Cite Enterprises, LLC**, Madison, WI (US)

(Continued)

(**) Term: **14 Years**

OTHER PUBLICATIONS

(21) Appl. No.: **29/422,213**

United States Patent Office Notice of Allowance for U.S. Appl. No. 29/422,208 dated Dec. 24, 2012 (8 pages).

(22) Filed: **May 17, 2012**

(Continued)

(51) **LOC (9) Cl.** **07-01**

Primary Examiner — Marianne Pandozzi

(52) **U.S. Cl.**
USPC **D7/397**; D7/317; D7/318

(74) *Attorney, Agent, or Firm* — Michael Best & Friedrich LLP

(58) **Field of Classification Search**
USPC D7/317–319, 320–322, 310, 397;
220/752; 99/303, 285

(57) **CLAIM**
The ornamental design for a coffee pot press, as shown and described.

See application file for complete search history.

(56) **References Cited**

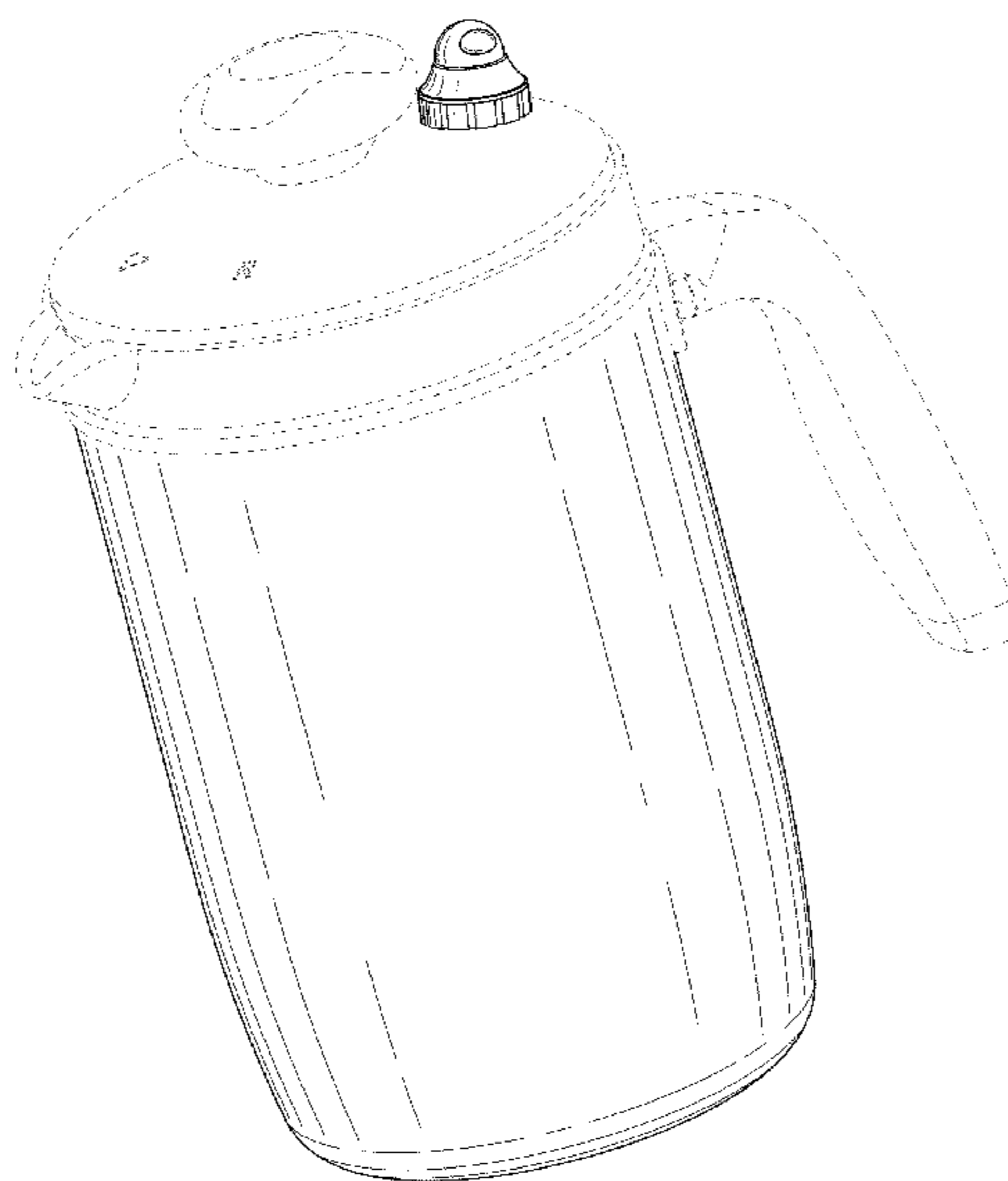
DESCRIPTION

U.S. PATENT DOCUMENTS

161,640	A	4/1875	Smith	
1,699,303	A	1/1929	Mennicke et al.	
D97,663	S *	12/1935	Ackerman	D7/321
D149,513	S *	5/1948	Muller	D7/321
D153,330	S *	4/1949	Smith	D7/321
2,562,433	A	7/1951	Moore	
D174,980	S *	6/1955	Bittany	D7/321
2,809,578	A	10/1957	Campbell	
2,826,980	A	3/1958	Willman	
3,716,169	A *	2/1973	Chivers	222/157
3,841,528	A	10/1974	Eisenberg	
D263,105	S *	2/1982	Okazaki et al.	D7/319
D263,783	S *	4/1982	Okazaki et al.	D7/317
D268,888	S	5/1983	Gremontprez	
4,446,158	A	5/1984	English et al.	

FIG. 1 is a perspective view of the coffee pot press.
FIG. 2 is a side view of the coffee pot press shown in FIG. 1.
FIG. 3 is another side view of the coffee pot press shown in FIG. 1.
FIG. 4 is front view of the coffee pot press of FIG. 1.
FIG. 5 is a rear view of the coffee pot press of FIG. 1.
FIG. 6 is a top view of the coffee pot press of FIG. 1; and,
FIG. 7 is bottom view of the coffee pot press of FIG. 1.
The present application is directed to the design illustrated in the drawings. The broken line portions of the disclosure are for illustrative purposes only and form no part of the claimed design.

1 Claim, 5 Drawing Sheets



(56)

References Cited

U.S. PATENT DOCUMENTS

D481,254 S 10/2003 Lin
 D488,340 S 4/2004 Zimmermann
 6,797,304 B2 9/2004 McGonagle
 D502,838 S 3/2005 Acona
 D504,273 S 4/2005 Acona
 D522,796 S 6/2006 Teh-Hsiung
 D525,071 S 7/2006 Lebowitz
 D526,159 S 8/2006 Schmidt
 7,093,531 B2 8/2006 Tardif
 D527,578 S 9/2006 Schmidt
 D529,328 S 10/2006 Schmidt et al.
 D531,449 S 11/2006 Ranzoni
 D533,025 S 12/2006 Ranzoni
 D534,763 S 1/2007 Ranzoni
 D541,587 S 5/2007 Pezij
 D553,898 S 10/2007 De' Longhi
 7,279,660 B2 10/2007 Long et al.
 D557,978 S 12/2007 Bodum
 D566,454 S 4/2008 Bodum
 D567,007 S 4/2008 Bodum
 D573,396 S 7/2008 Gauss

D587,059 S 2/2009 Bodum
 D594,267 S 6/2009 Bodum
 D602,730 S 10/2009 Kino
 D610,860 S 3/2010 Bodum
 D611,288 S 3/2010 Bodum
 D612,660 S 3/2010 Bodum
 7,745,759 B2 6/2010 Long et al.
 D623,011 S 9/2010 Gilbert et al.
 D628,426 S 12/2010 Hoare et al.
 D628,846 S 12/2010 Bodum
 D644,866 S 9/2011 Munro
 D681,392 S 5/2013 Dichraff et al.
 2006/0236870 A1 10/2006 Tardiff
 2008/0274246 A1 11/2008 Glucksman et al.
 2011/0056386 A1 3/2011 Taketani

OTHER PUBLICATIONS

United States Patent Office Notice of Allowance for U.S. Appl. No. 29/422,210 dated Jul. 5, 2013 (10 pages).
 United States Patent Office Notice of Allowance for U.S. Appl. No. 29/422,207 dated Jul. 10, 2013 (10 pages).

* cited by examiner

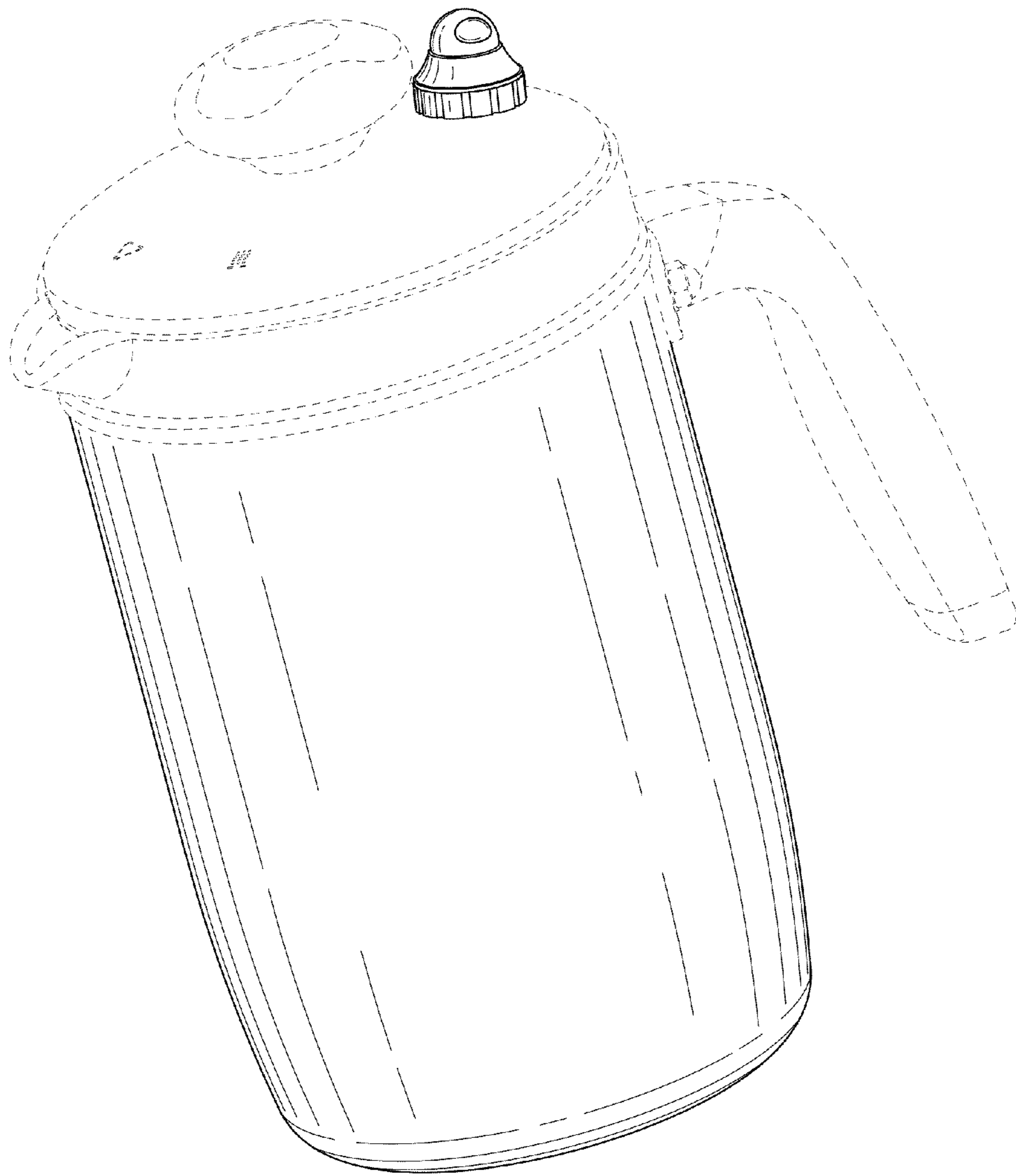


FIG. 1

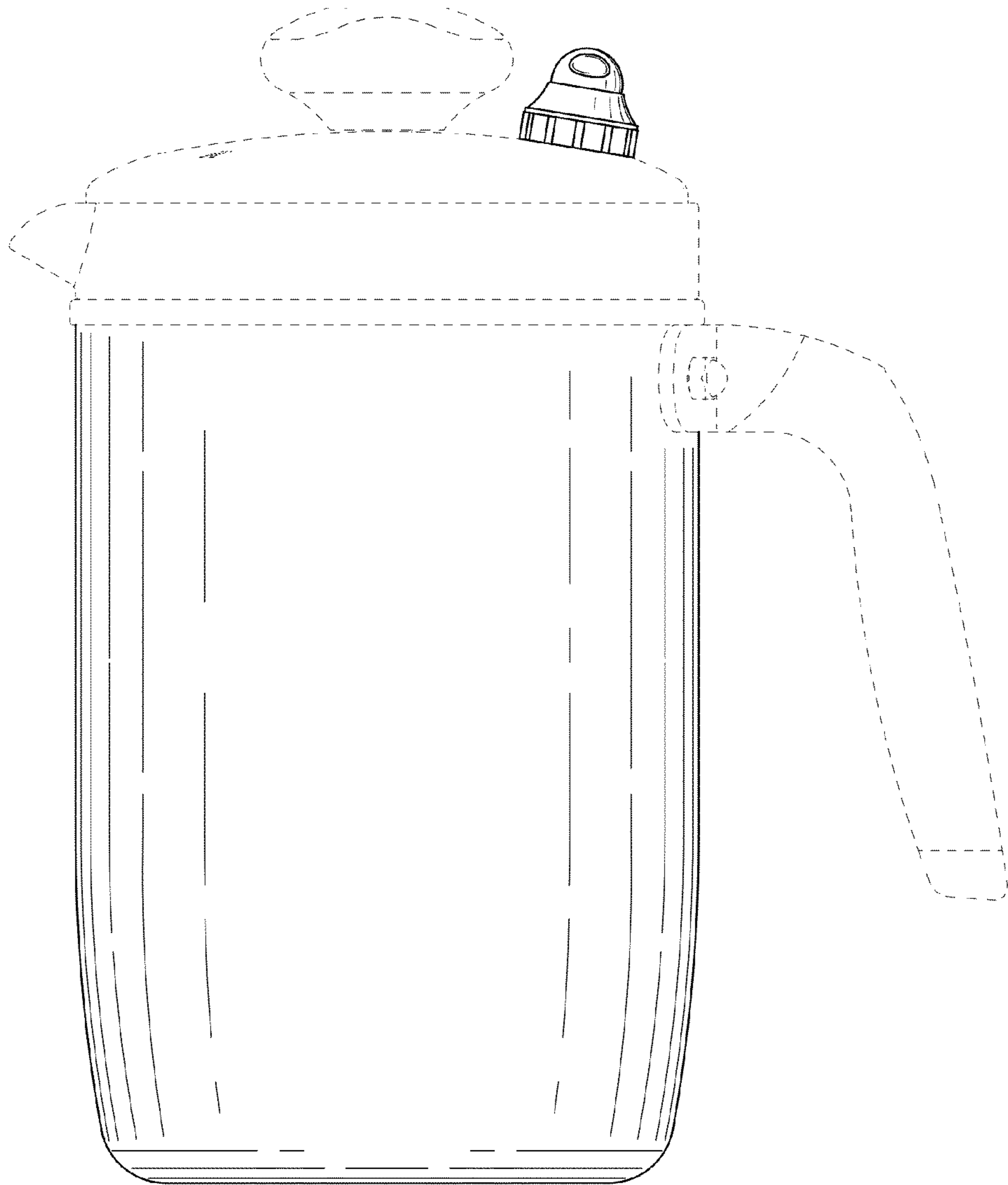


FIG. 2

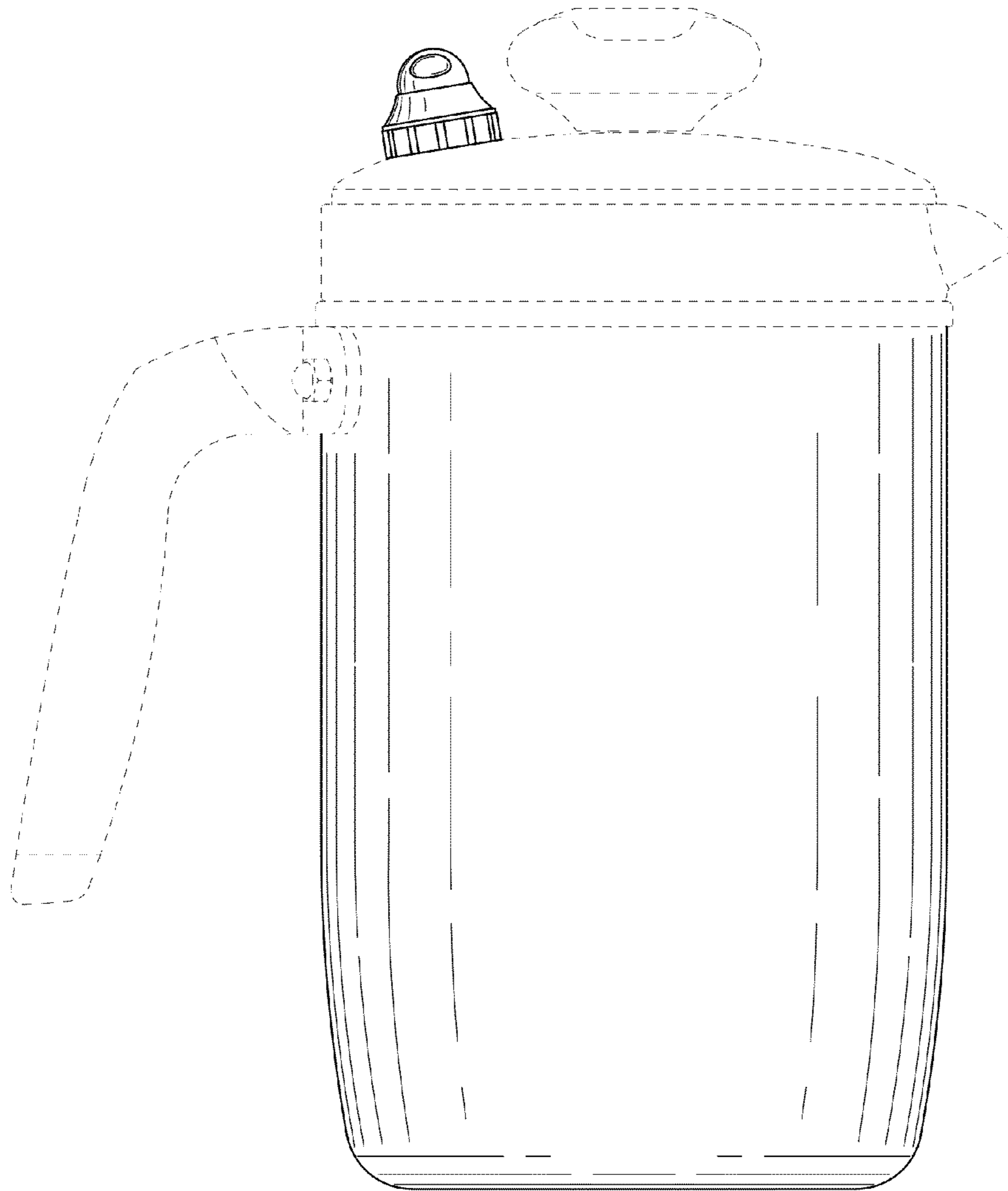


FIG. 3

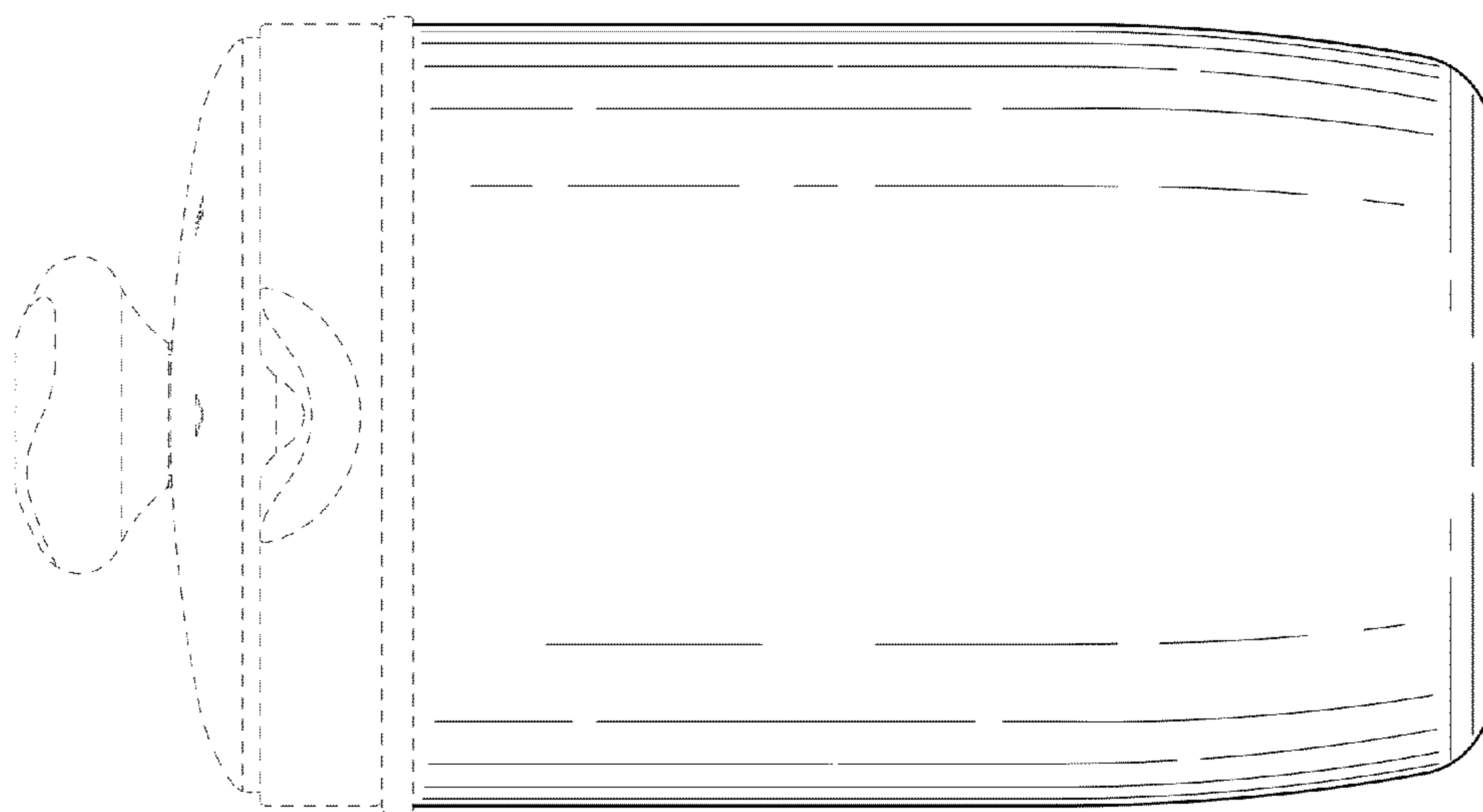


FIG. 4

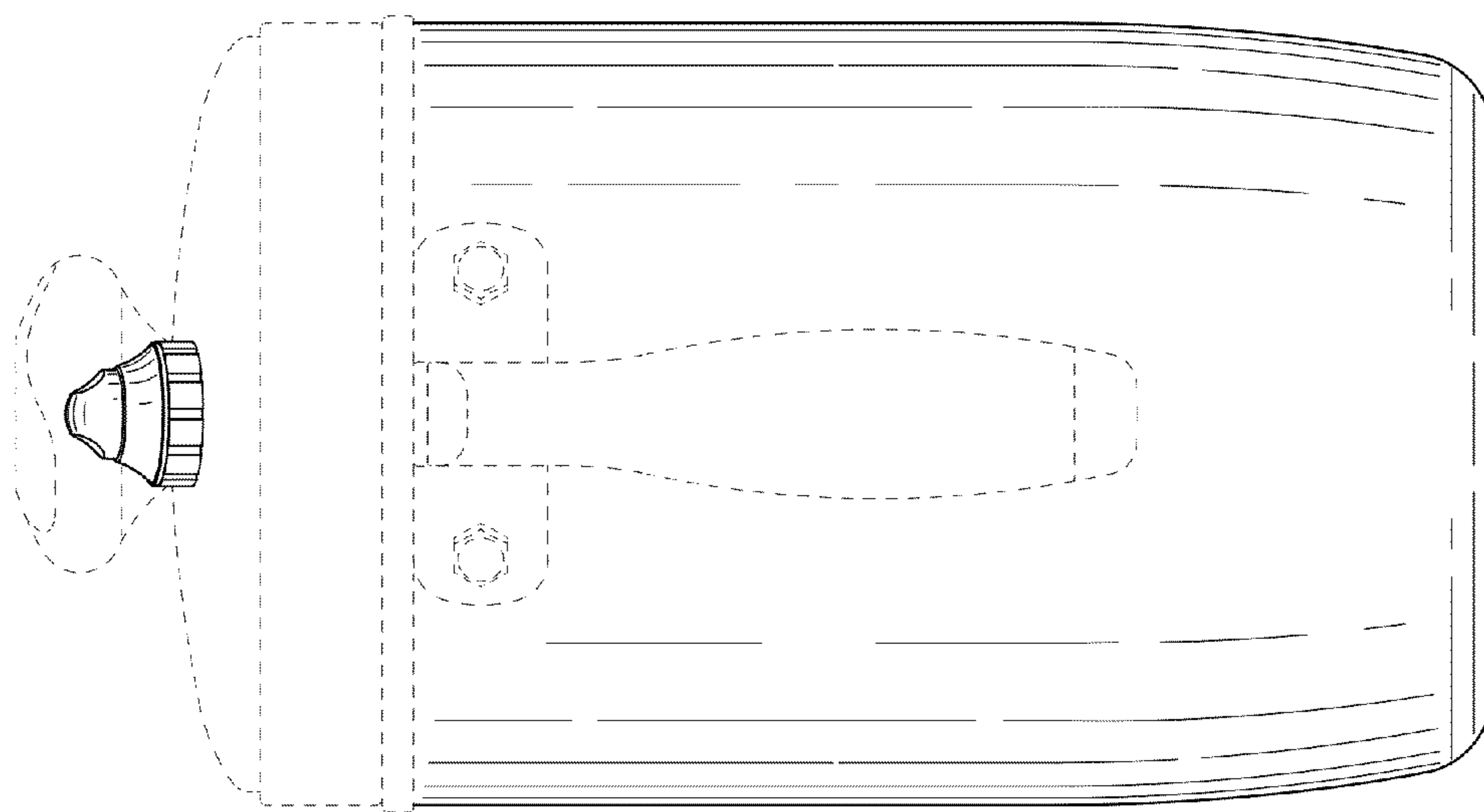


FIG. 5

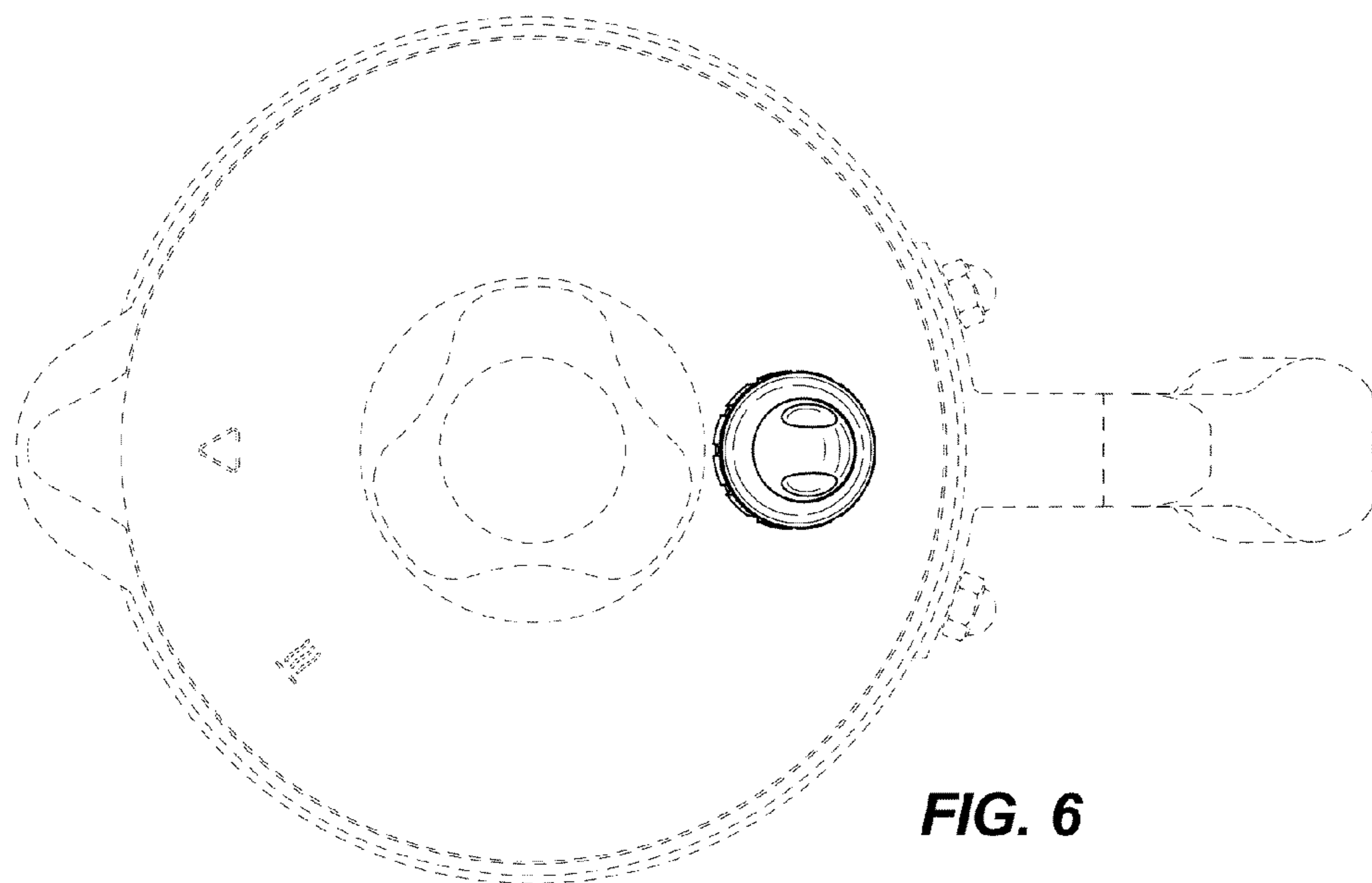


FIG. 6

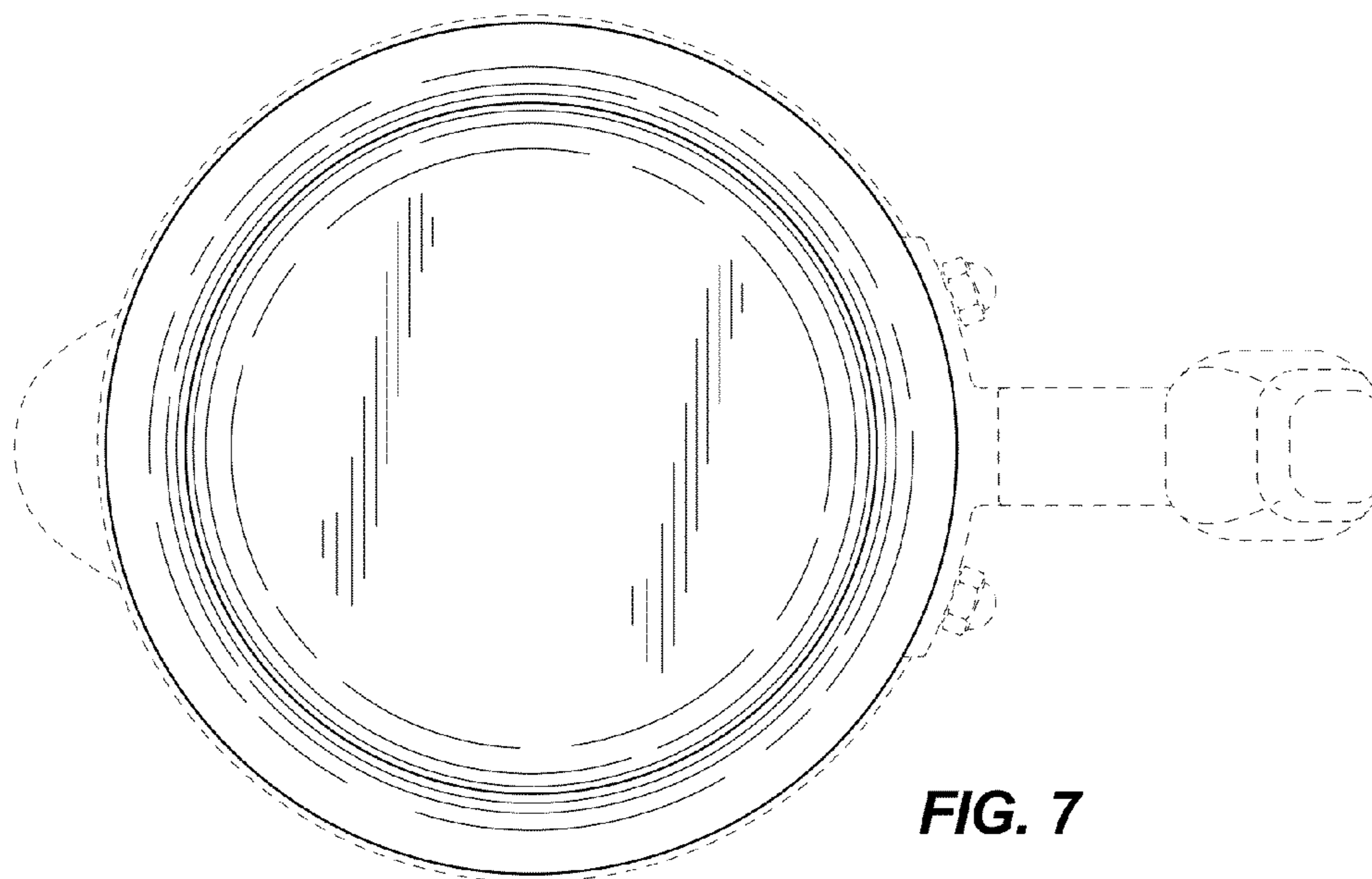


FIG. 7