



US00D691416S

(12) **United States Design Patent**  
**Eyal**

(10) **Patent No.:** **US D691,416 S**  
(45) **Date of Patent:** **\*\* Oct. 15, 2013**

(54) **LID FOR A BEVERAGE CONTAINER**

(76) Inventor: **Sharon Eyal**, Calabasas, CA (US)

(\*\*) Term: **14 Years**

(21) Appl. No.: **29/416,020**

(22) Filed: **Mar. 16, 2012**

(51) **LOC (9) Cl.** ..... **09-07**

(52) **U.S. Cl.**  
USPC ..... **D7/396.2**; D9/449; D9/447

(58) **Field of Classification Search**  
USPC ..... D9/449, 447, 438, 435, 434; D7/510,  
D7/511, 396.2, 392.1; 229/906.1; 220/812,  
220/713, 268, 254.9, 254.3, 253  
See application file for complete search history.

(56) **References Cited**

U.S. PATENT DOCUMENTS

4,760,934	A *	8/1988	Netsch	.....	220/269
6,439,442	B1 *	8/2002	Markert et al.	.....	222/547
D485,759	S *	1/2004	Janky et al.	.....	D9/449
D533,779	S *	12/2006	Schmidtner et al.	.....	D9/449
D643,245	S *	8/2011	Minarsch	.....	D7/392.1
D644,060	S *	8/2011	Komeiji	.....	D7/392.1
D647,753	S *	11/2011	Lin	.....	D7/392.1
2008/0054005	A1 *	3/2008	Cai	.....	220/711
2009/0266828	A1 *	10/2009	Cai et al.	.....	220/712

\* cited by examiner

*Primary Examiner* — Susan Bennett Hattan

(74) *Attorney, Agent, or Firm* — Richard S Erbe

(57) **CLAIM**

The ornamental design for a lid for a beverage container, as shown and described.

**DESCRIPTION**

FIG. 1 is a perspective view of a lid for a beverage container showing my new design;

FIG. 2 is a front elevational view of the lid for a beverage container of FIG. 1;

FIG. 3 is a rear elevational view of the lid for a beverage container of FIG. 1;

FIG. 4 is a left side elevational view of the lid for a beverage container of FIG. 1;

FIG. 5 is a right side elevational view of the lid for a beverage container of FIG. 1;

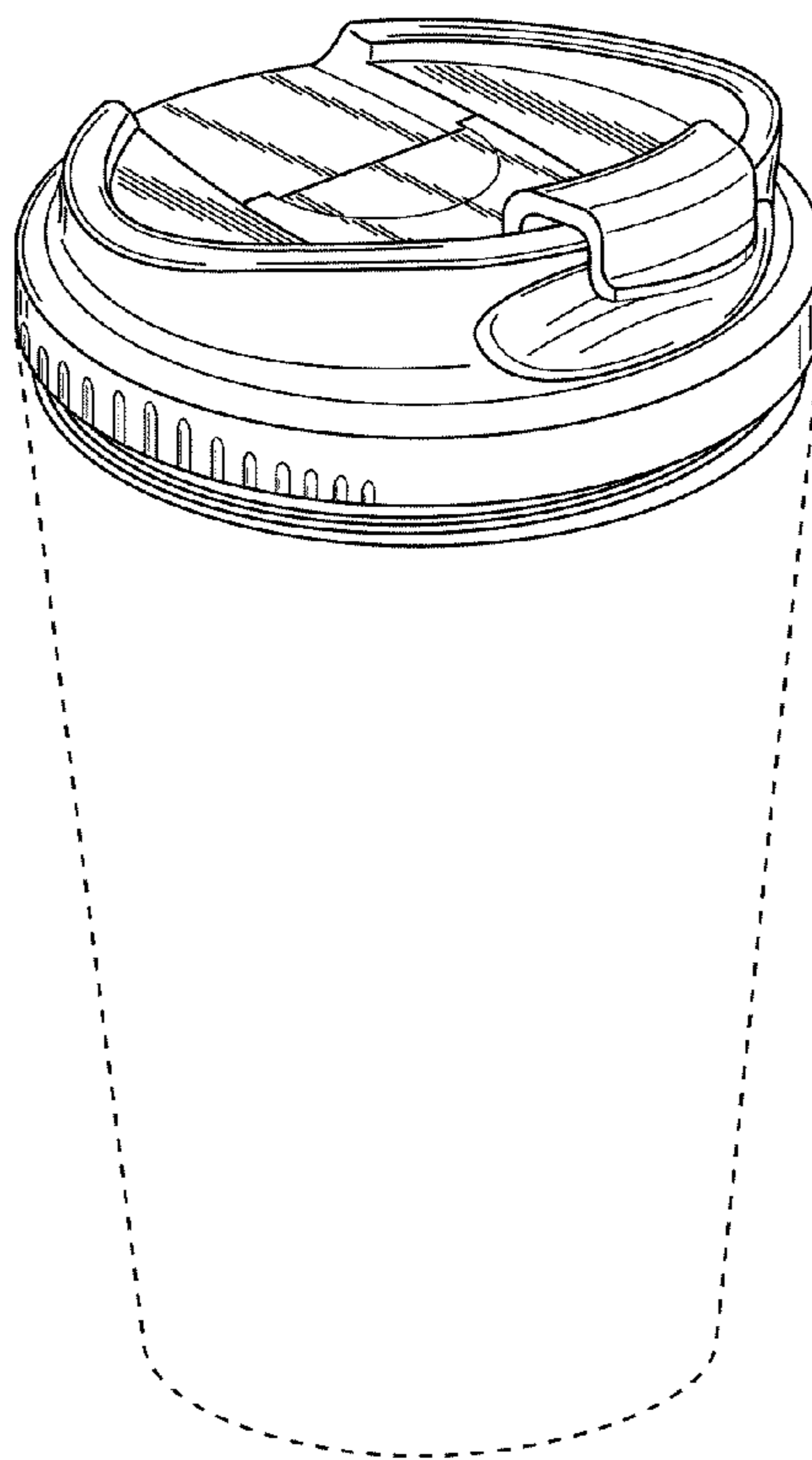
FIG. 6 is a top plan view of the lid for a beverage container of FIG. 1;

FIG. 7 is a bottom plan view of the lid for a beverage container of FIG. 1;

FIG. 8 is another perspective view of the lid for a beverage container of FIG. 1, with the top in the open position; and, FIG. 9 is another top plan view of the lid for a beverage container of FIG. 1, with the top in the open position.

The portions of the article in broken lines depict environmental subject matter only and form no part of the claimed invention.

**1 Claim, 2 Drawing Sheets**



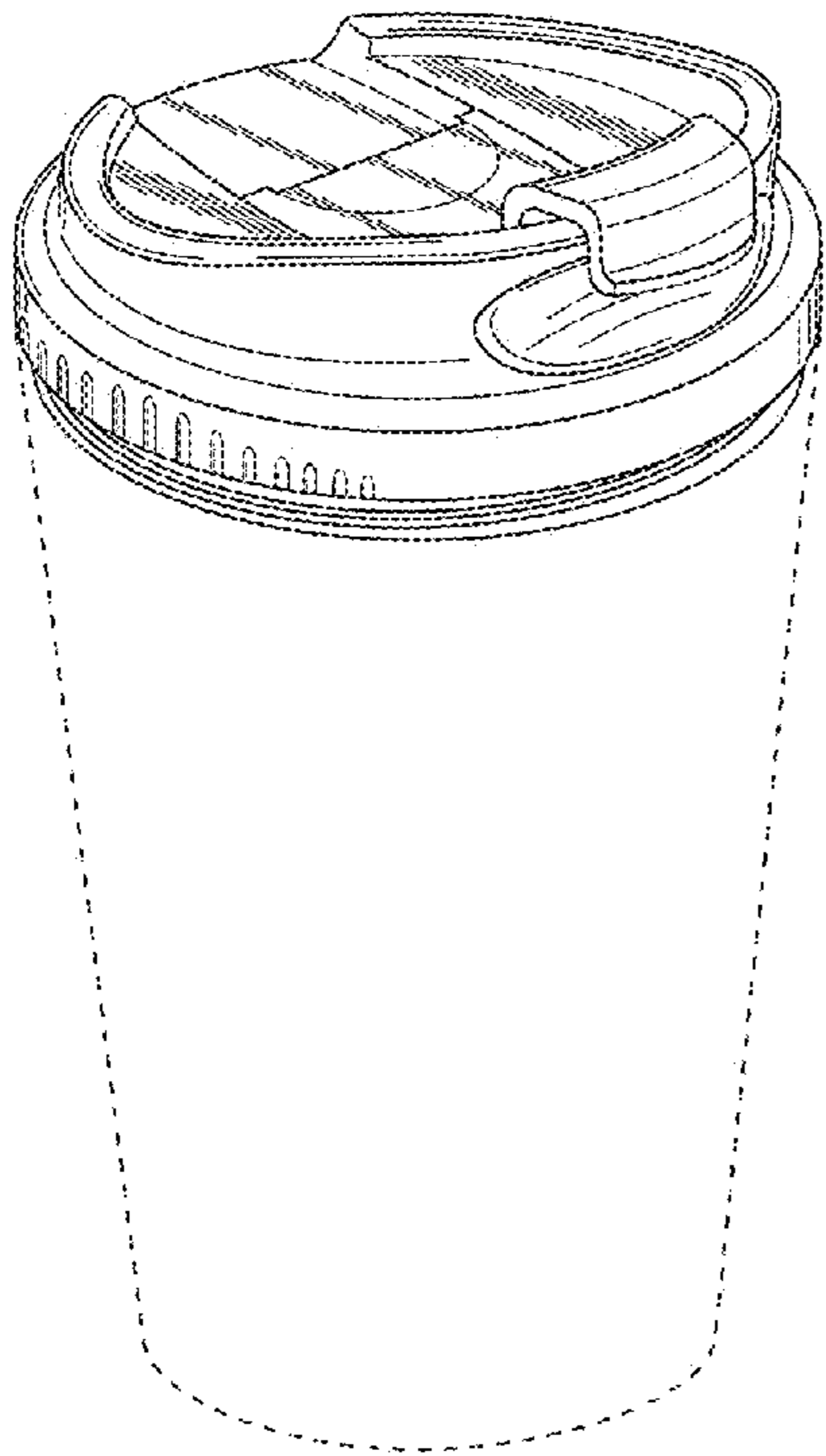


FIG. 1

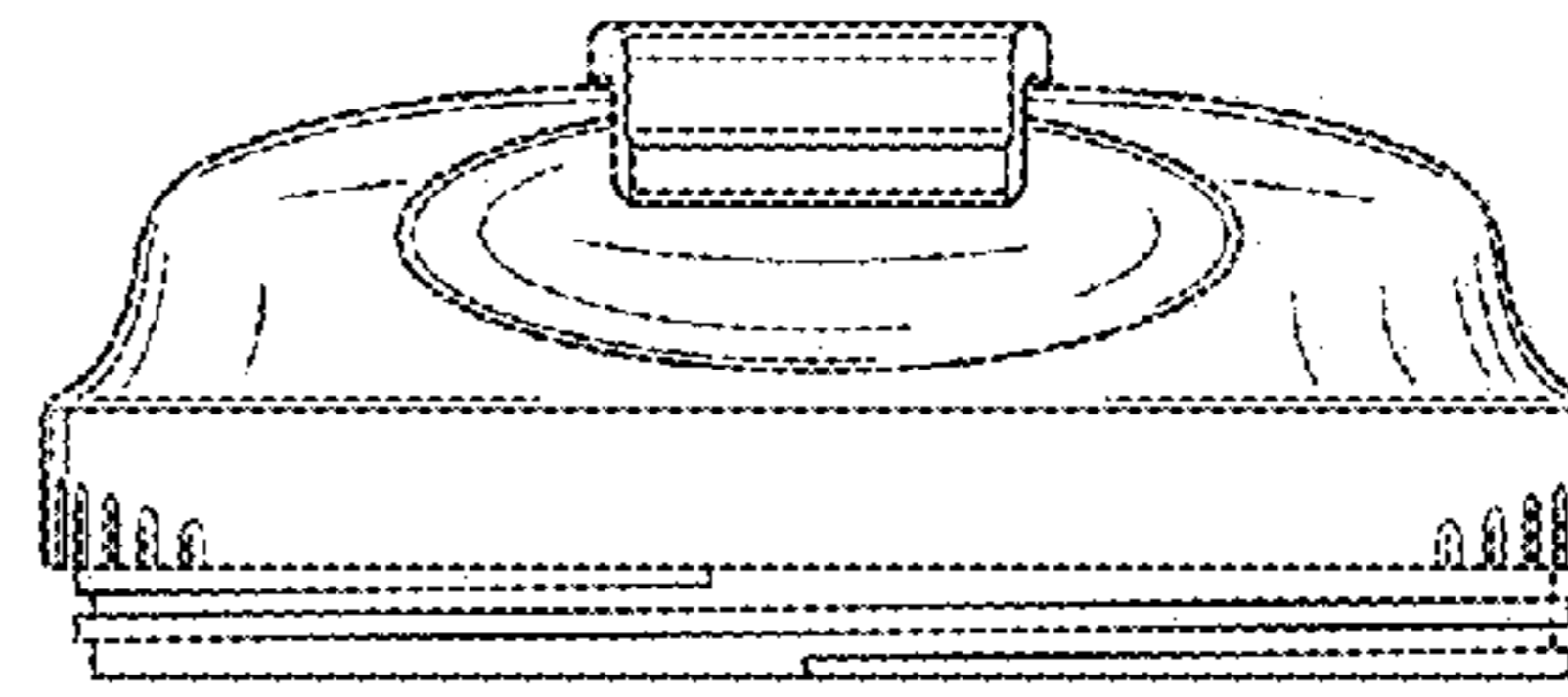


FIG. 2

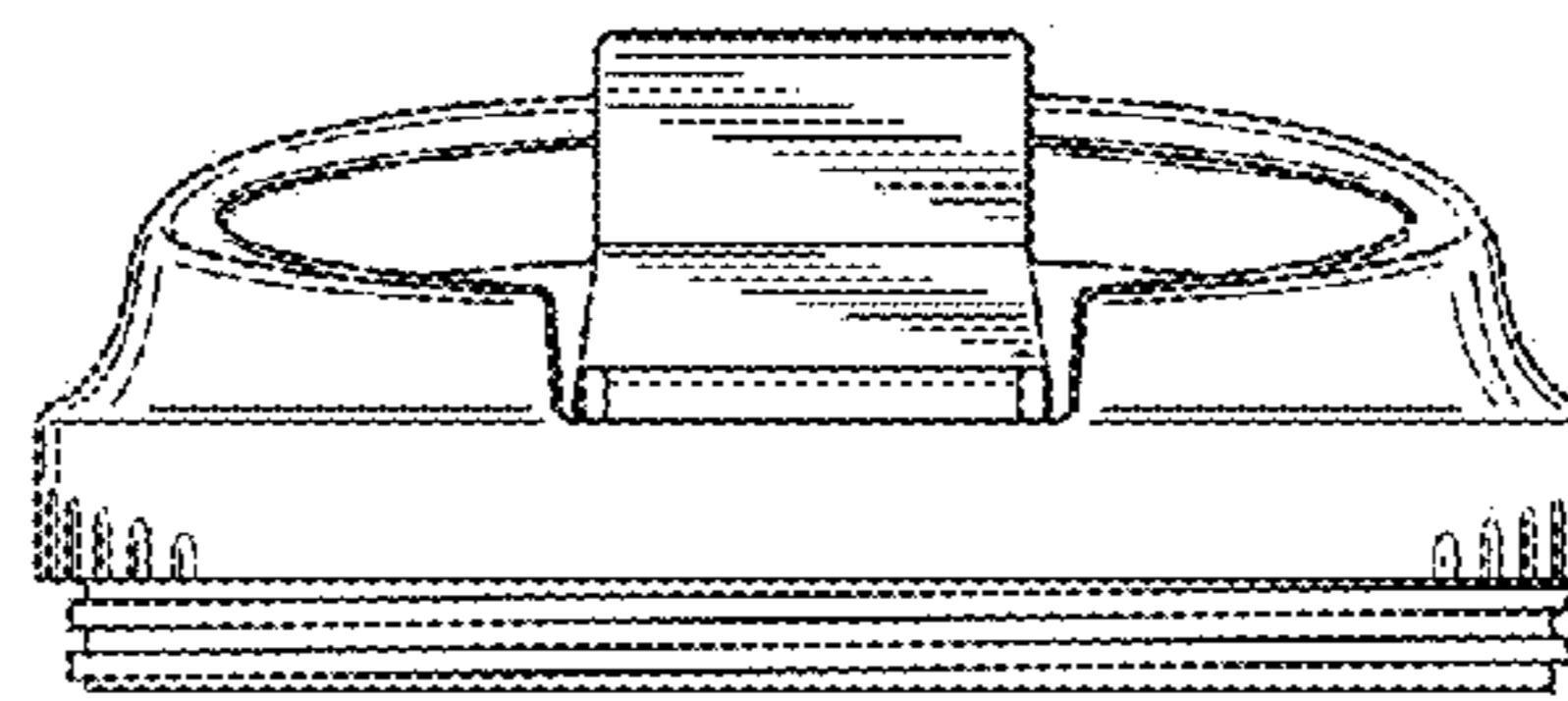


FIG. 3

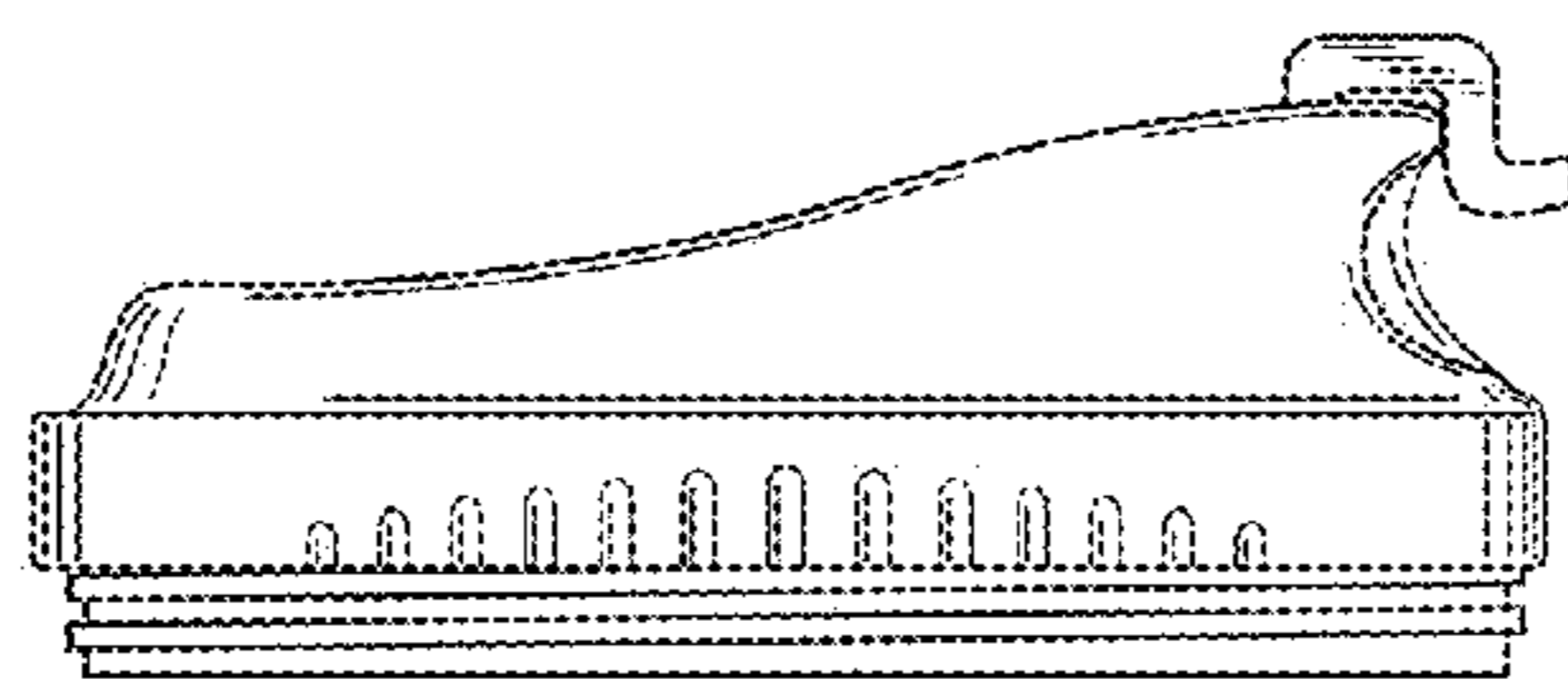


FIG. 4

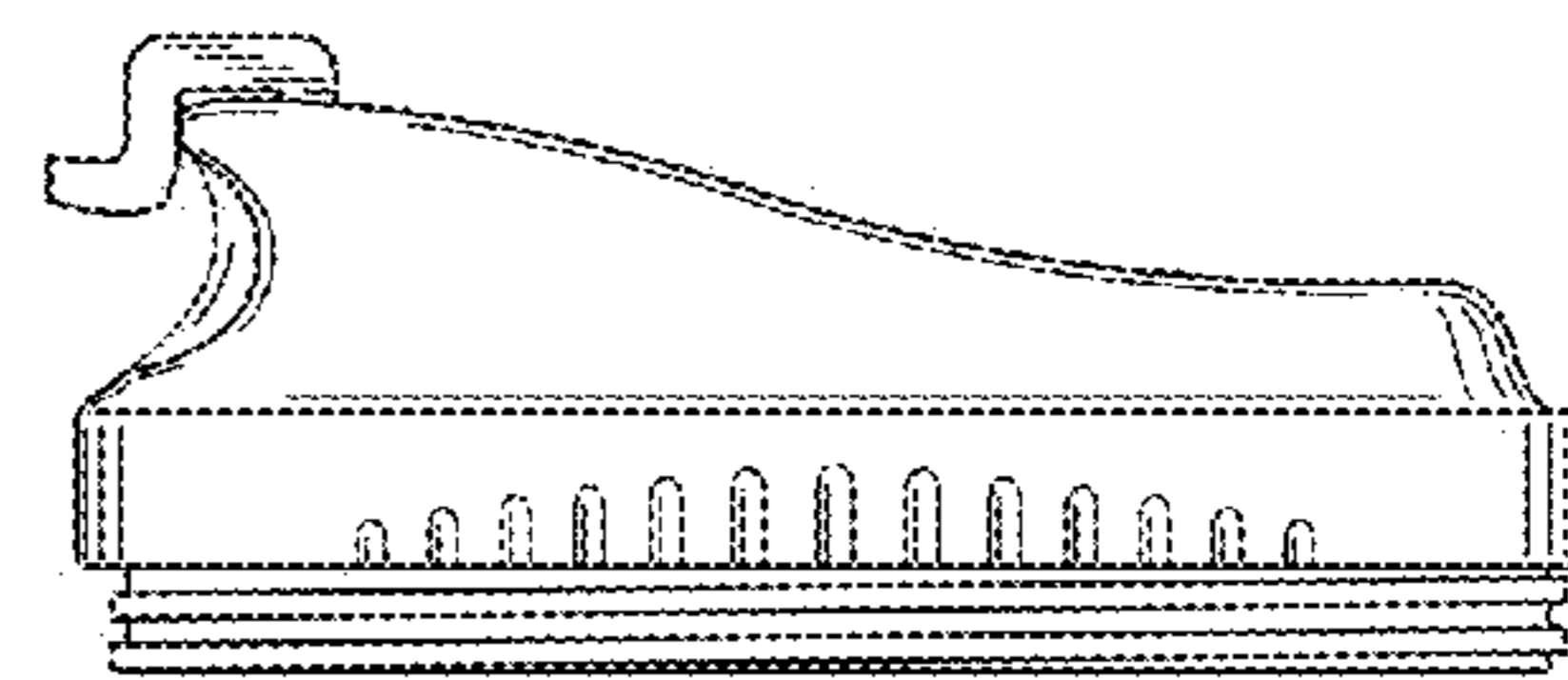


FIG. 5

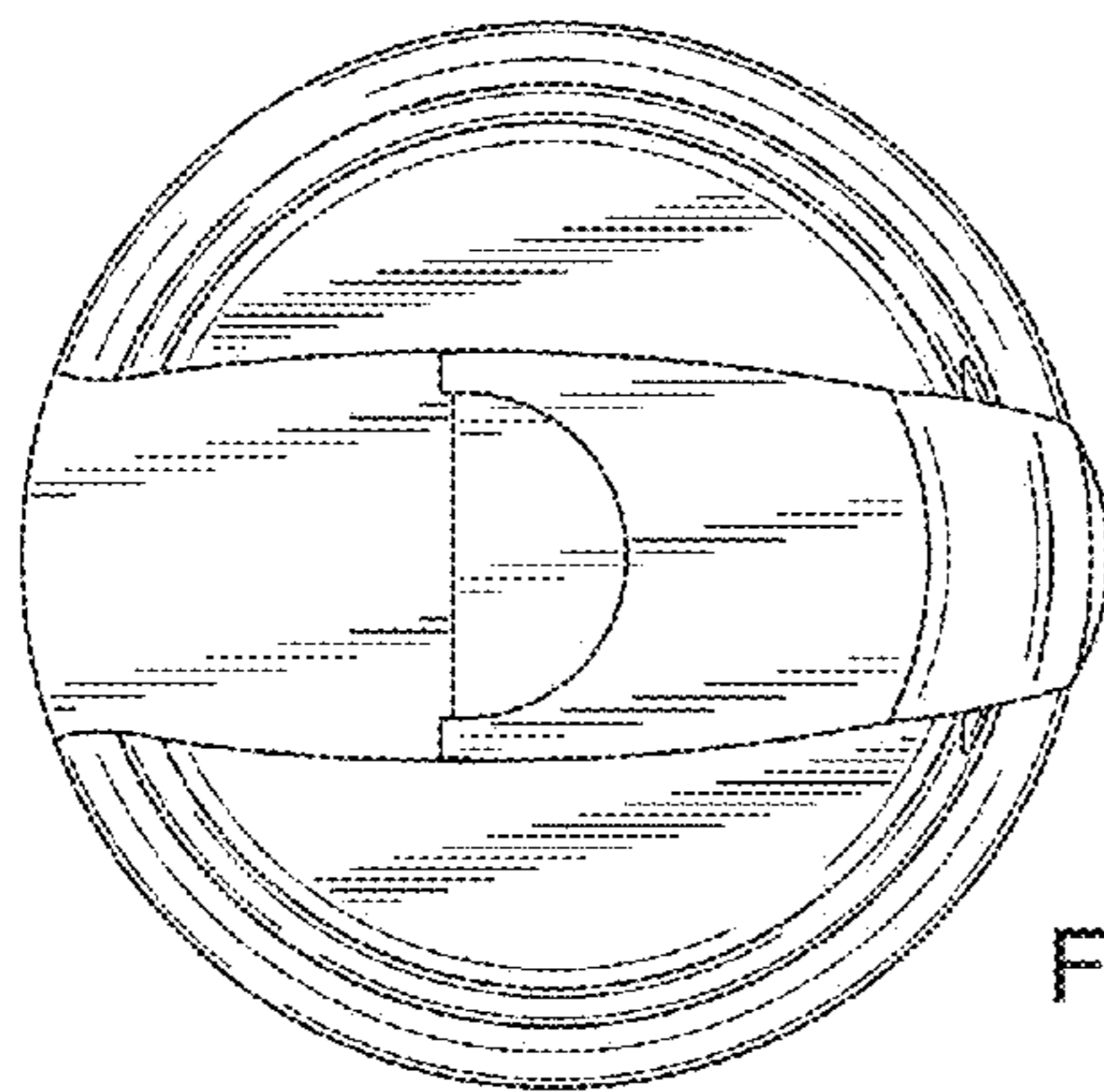


FIG. 6

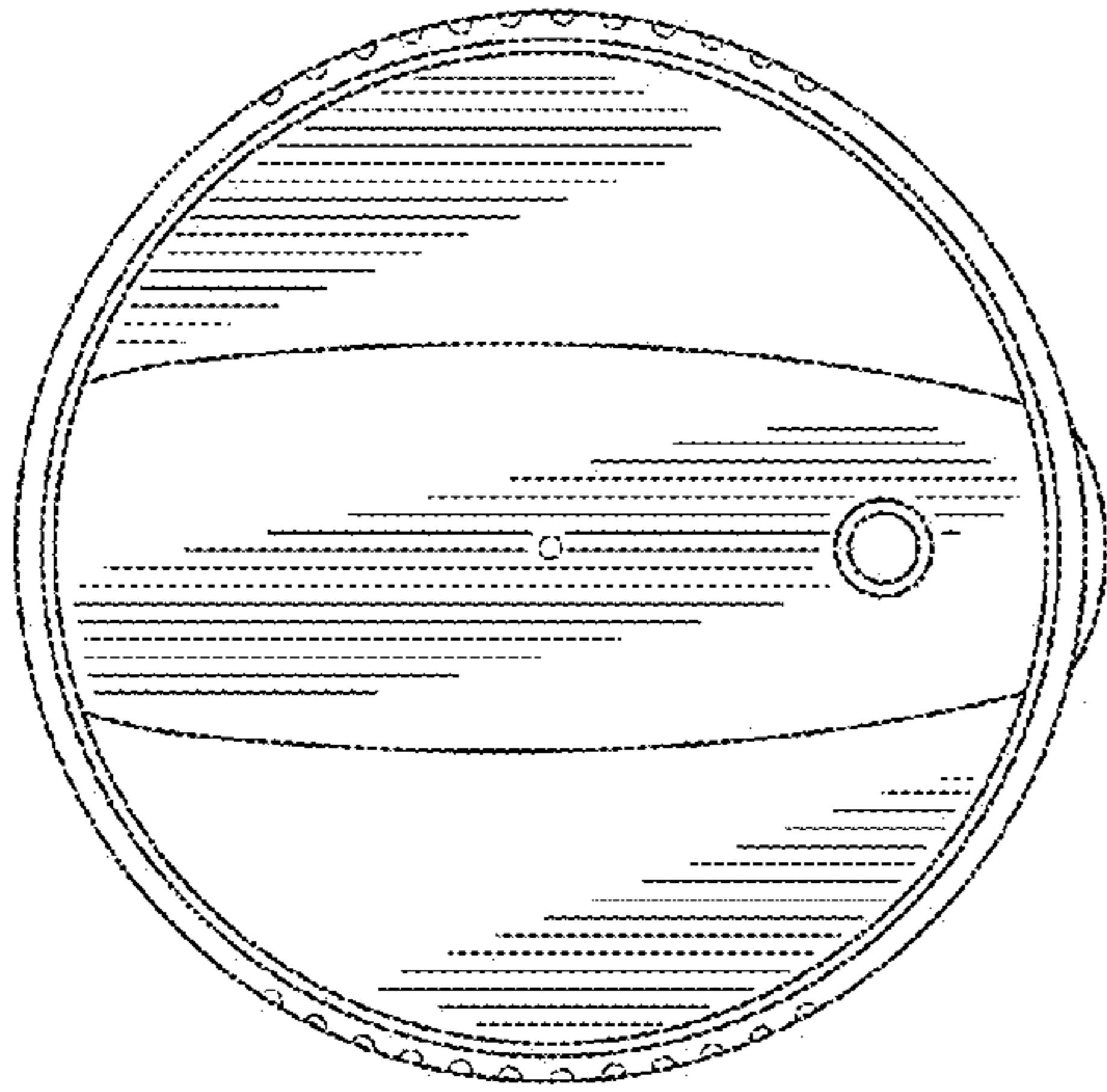


FIG. 7

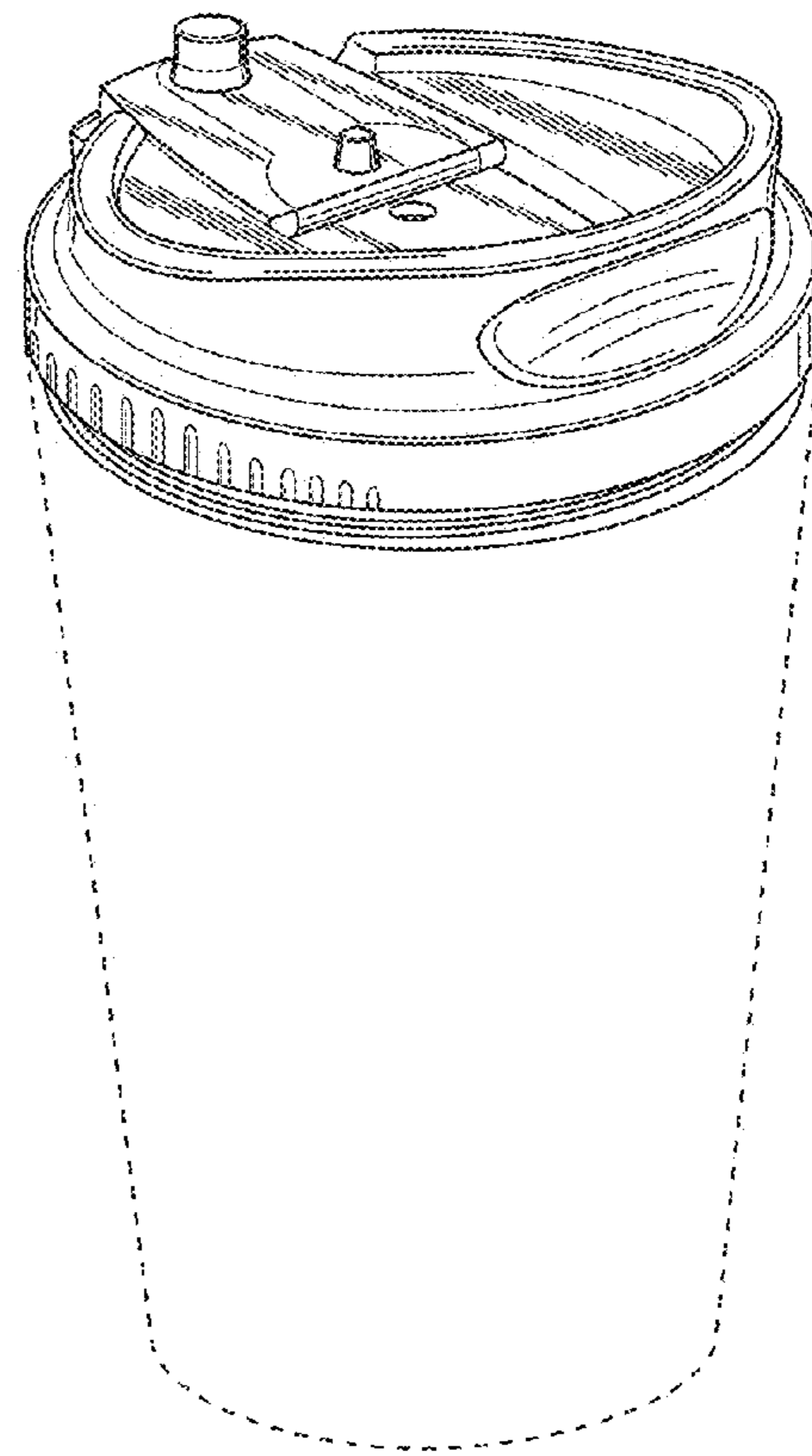


FIG. 8

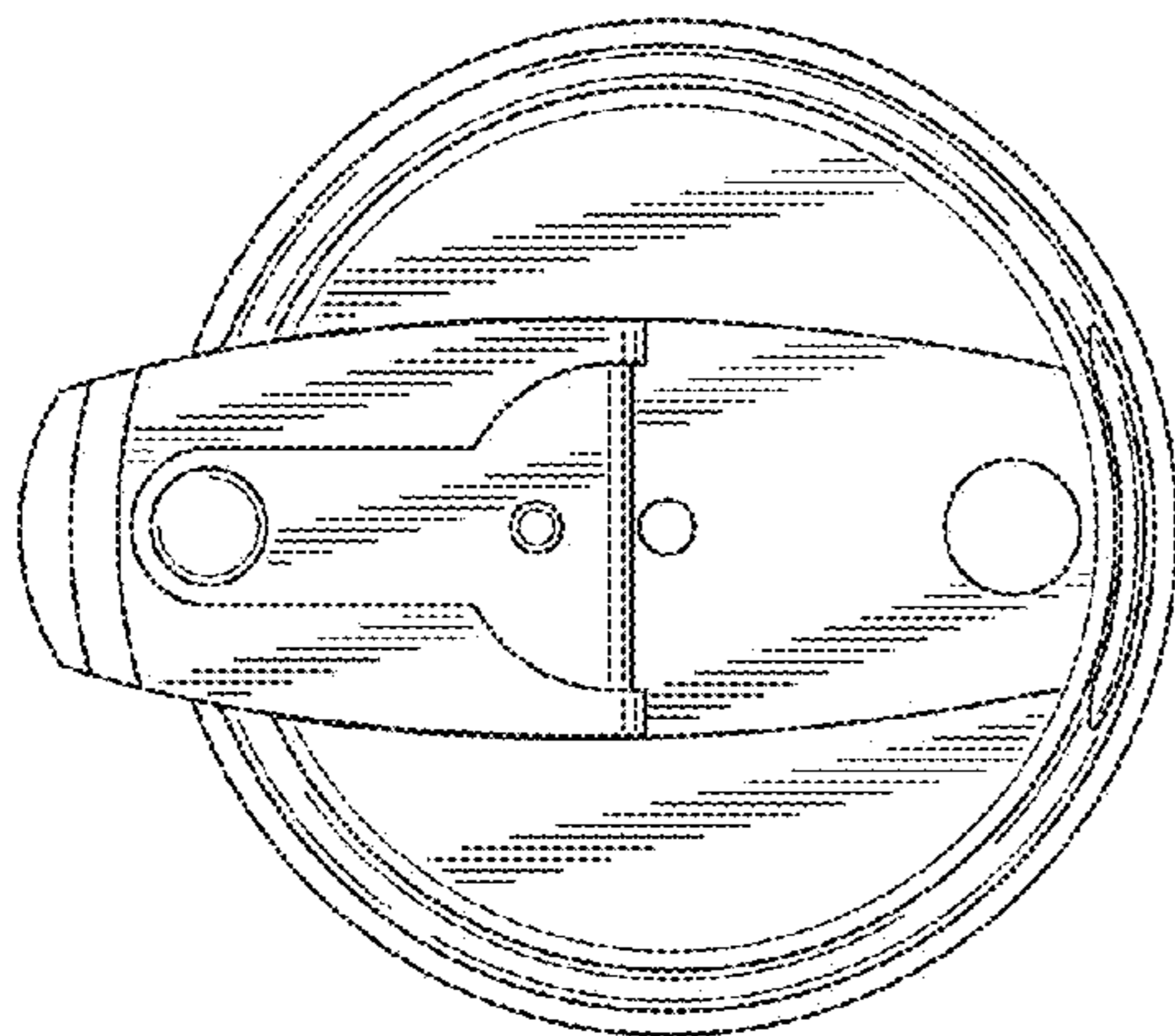


FIG. 9