

US00D691414S

(12) **United States Design Patent**
Trombly

(10) **Patent No.:** **US D691,414 S**
(45) **Date of Patent:** **** Oct. 15, 2013**

(54) **LID**

(75) Inventors: **Edgar Trombly**, Grosse Pointe Farms, MI (US); **Mary Lou Trombly**, legal representative, Gross Pointe Farms, MI (US)

(73) Assignee: **Punch Products USA, Inc.**, Rahway, NJ (US)

(**) Term: **14 Years**

(21) Appl. No.: **29/430,304**

(22) Filed: **Aug. 23, 2012**

(51) **LOC (9) Cl.** **07-02**

(52) **U.S. Cl.**
USPC **D7/392.1; D9/447**

(58) **Field of Classification Search**
USPC D7/391, 392, 392.1, 510, 511, 629, D7/900; D9/425, 434, 435, 438, 443, 444, D9/445, 447, 449, 451-454; 215/271, 318, 215/319, 354, 364; 220/253, 254.1, 269, 220/522, 712-714, 719, 780, 781
See application file for complete search history.

(56) **References Cited**

U.S. PATENT DOCUMENTS

D281,758	S	*	12/1985	Trombly	D7/392.1
D287,919	S	*	1/1987	Clements	D7/392.1
D315,103	S	*	3/1991	Bennett	D9/447
D415,651	S	*	10/1999	Trombly	D7/392.1
D437,223	S	*	2/2001	Coy et al.	D9/447
6,533,139	B2	*	3/2003	Lukacevic	220/719
D488,376	S	*	4/2004	Chung	D9/434
7,134,566	B2	*	11/2006	Smith et al.	220/254.1

D535,143	S	*	1/2007	Kortleven	D7/391
D535,144	S	*	1/2007	George et al.	D7/392.1
D570,686	S	*	6/2008	Hollis et al.	D9/447
D593,361	S	*	6/2009	Hundley	D7/392.1
7,691,302	B2	*	4/2010	Hollis et al.	264/154
D624,356	S	*	9/2010	Davies et al.	D7/392.1
D631,348	S	*	1/2011	Weiss et al.	D9/447
D635,855	S	*	4/2011	Smith et al.	D9/447
7,992,741	B2	*	8/2011	Hundley et al.	220/254.5
D647,753	S	*	11/2011	Lin	D7/392.1
D666,052	S	*	8/2012	Trombly	D7/392.1
D675,524	S	*	2/2013	Bickert et al.	D9/447
2006/0060590	A1	*	3/2006	Goeking et al.	220/713
2007/0045316	A1	*	3/2007	Arnljots	220/254.5
2010/0096395	A1	*	4/2010	Miller	220/711

* cited by examiner

Primary Examiner — Susan E Krakower

(74) *Attorney, Agent, or Firm* — Howard C. Miskin; Gloria Tsui-Yip

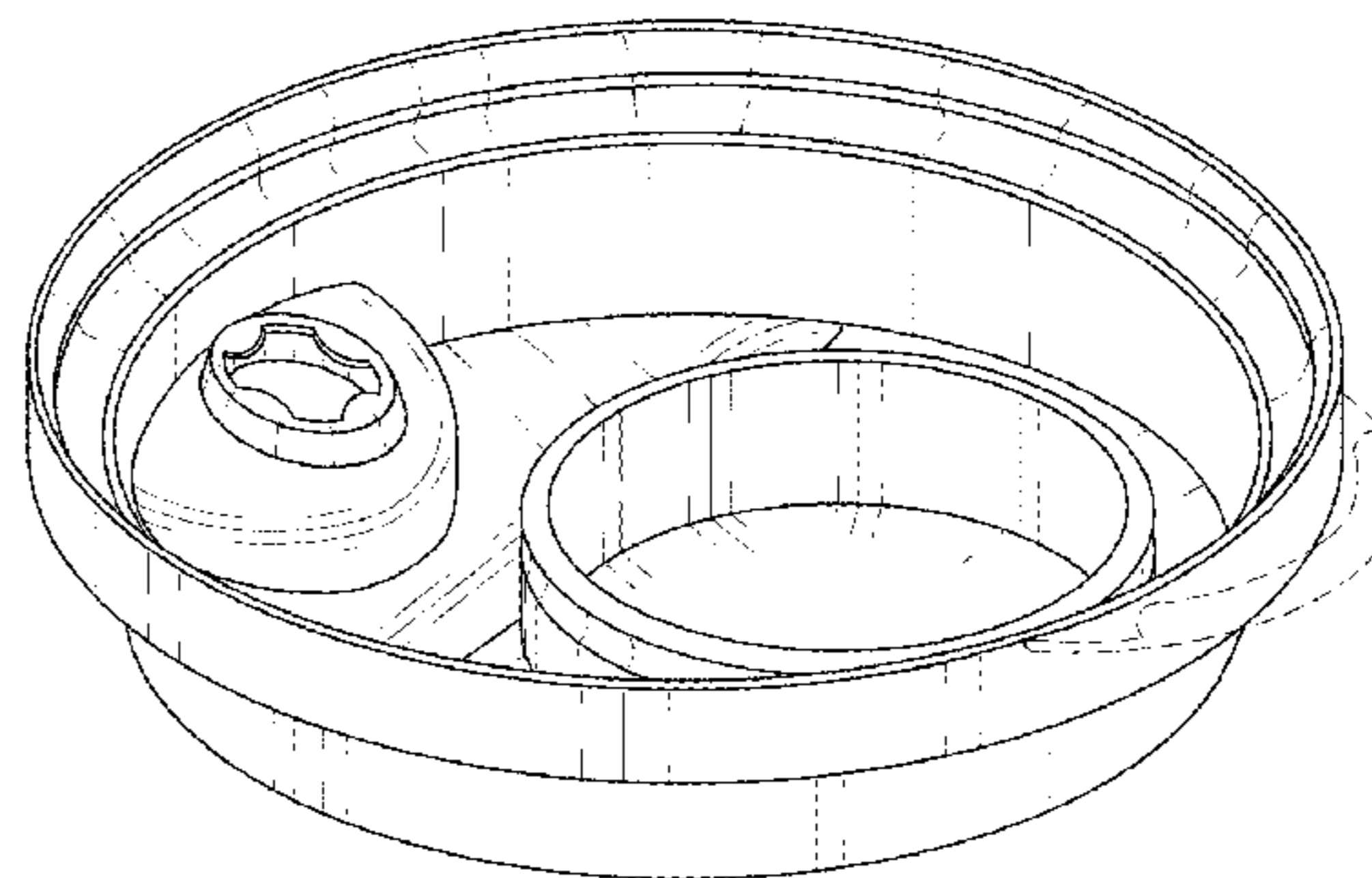
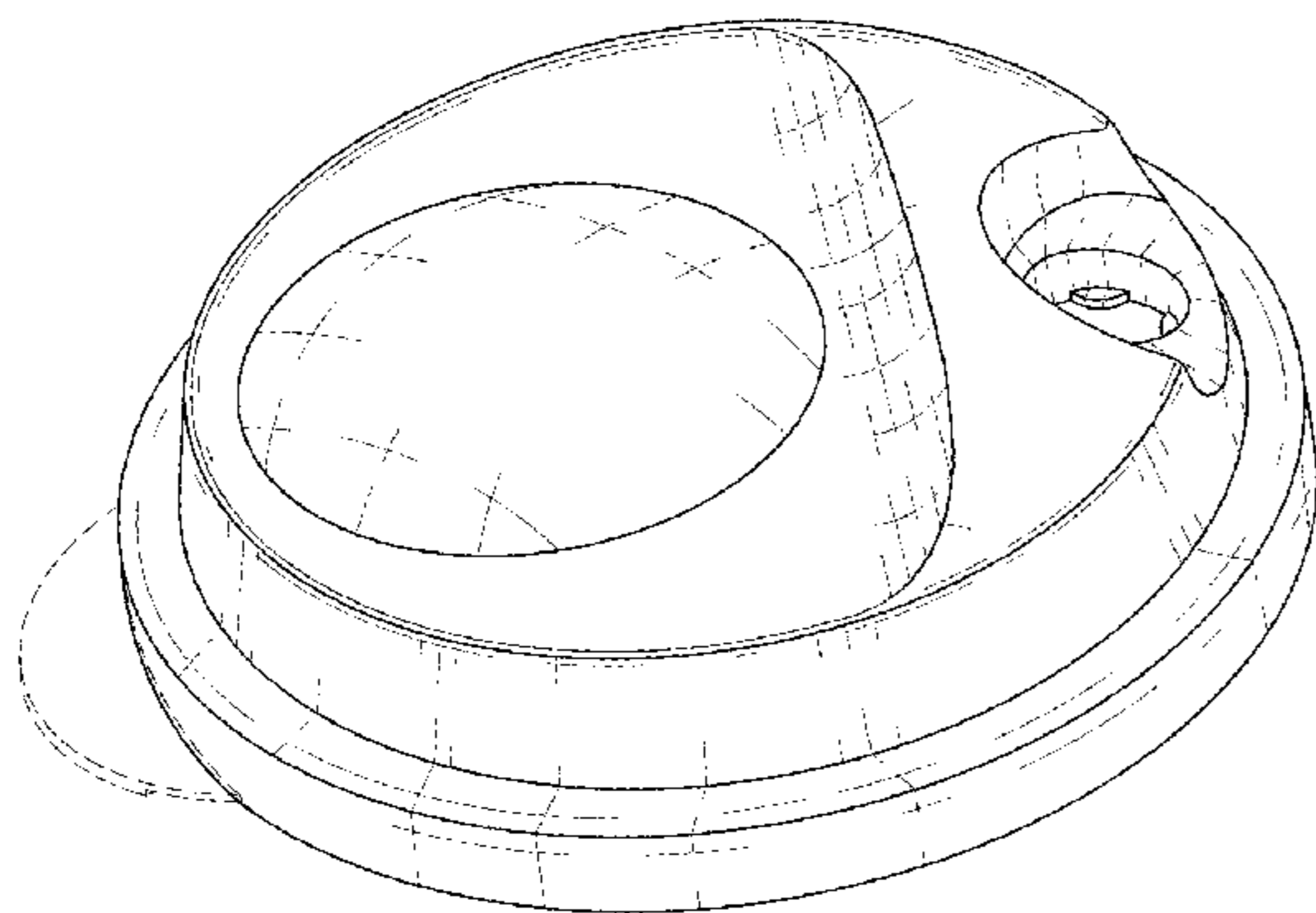
(57) **CLAIM**

The ornamental design for a lid, as shown and described.

DESCRIPTION

FIG. 1 is a top plan view of a lid showing my new design; FIG. 2 is a bottom plan view thereof; FIG. 3 is a rear elevational view thereof; FIG. 4 is a front elevational view thereof; FIG. 5 is a left side view thereof; FIG. 6 is a rear side view thereof; FIG. 7 is a top and front perspective view thereof; and, FIG. 8 is a bottom and rear perspective view thereof. The broken lines showing of a tab in FIGS. 1-8 illustrate environmental matter which forms no part of the claimed design.

1 Claim, 4 Drawing Sheets



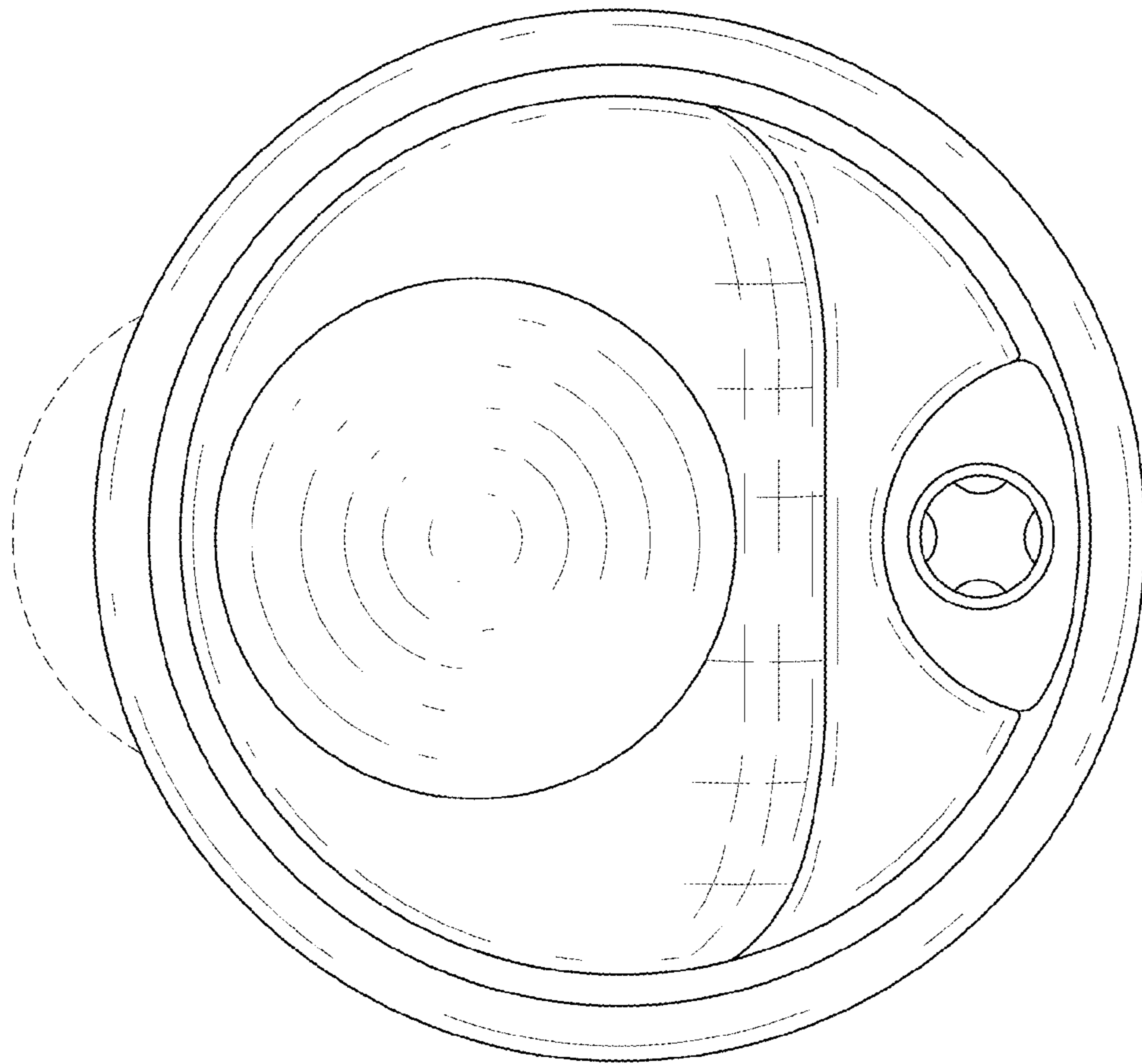


FIG. 1

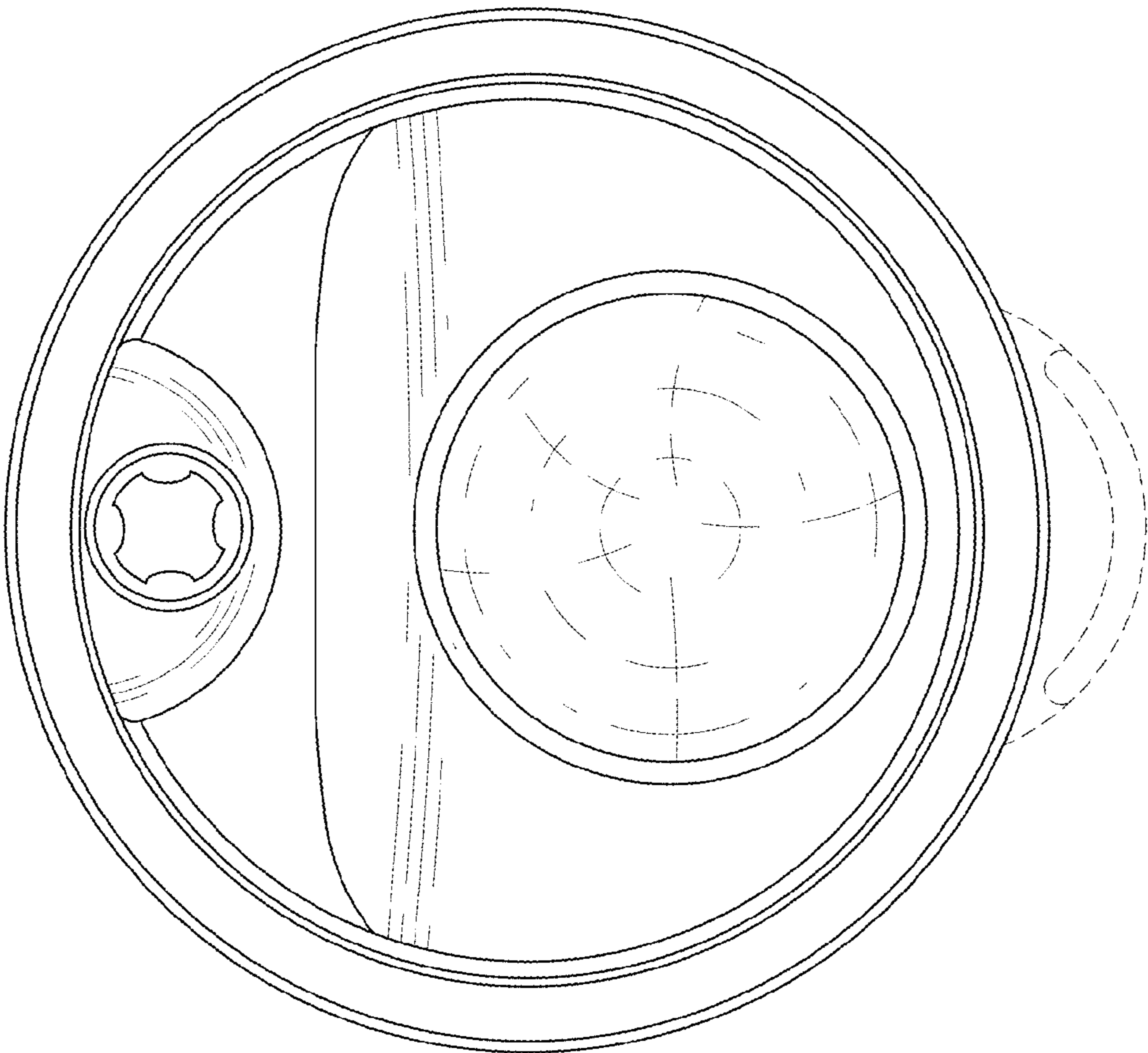


FIG. 2

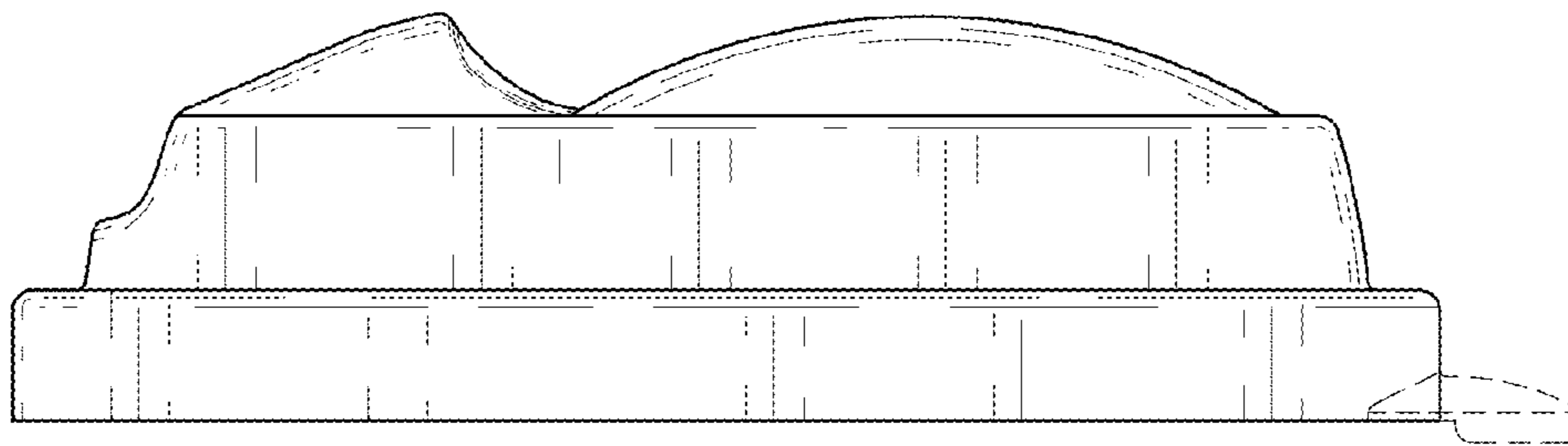


FIG. 3

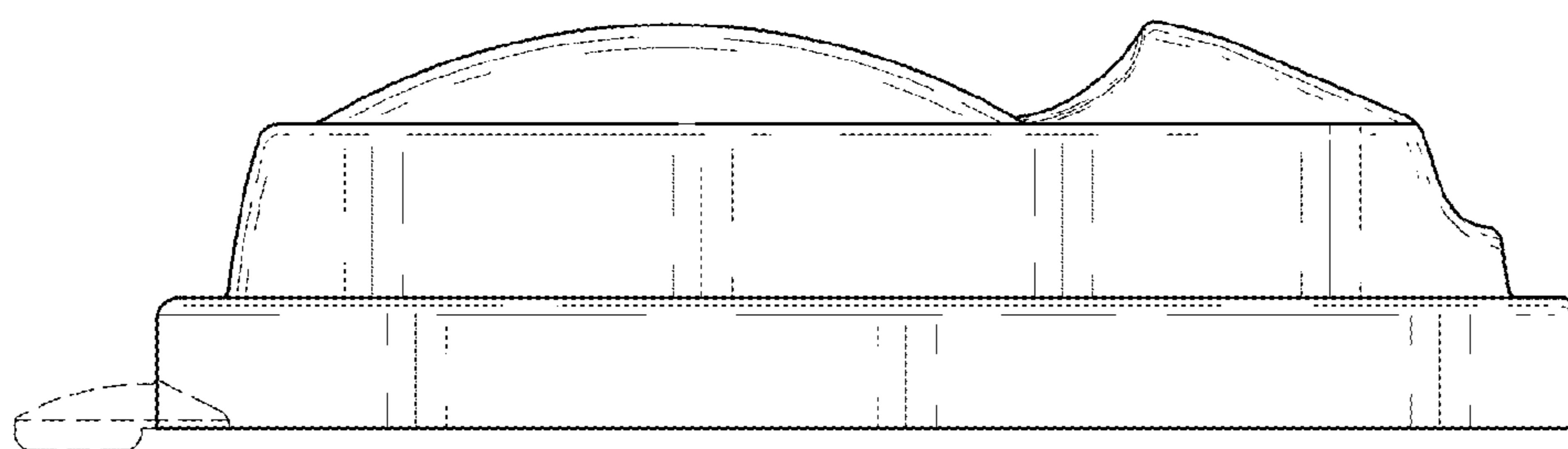


FIG. 4

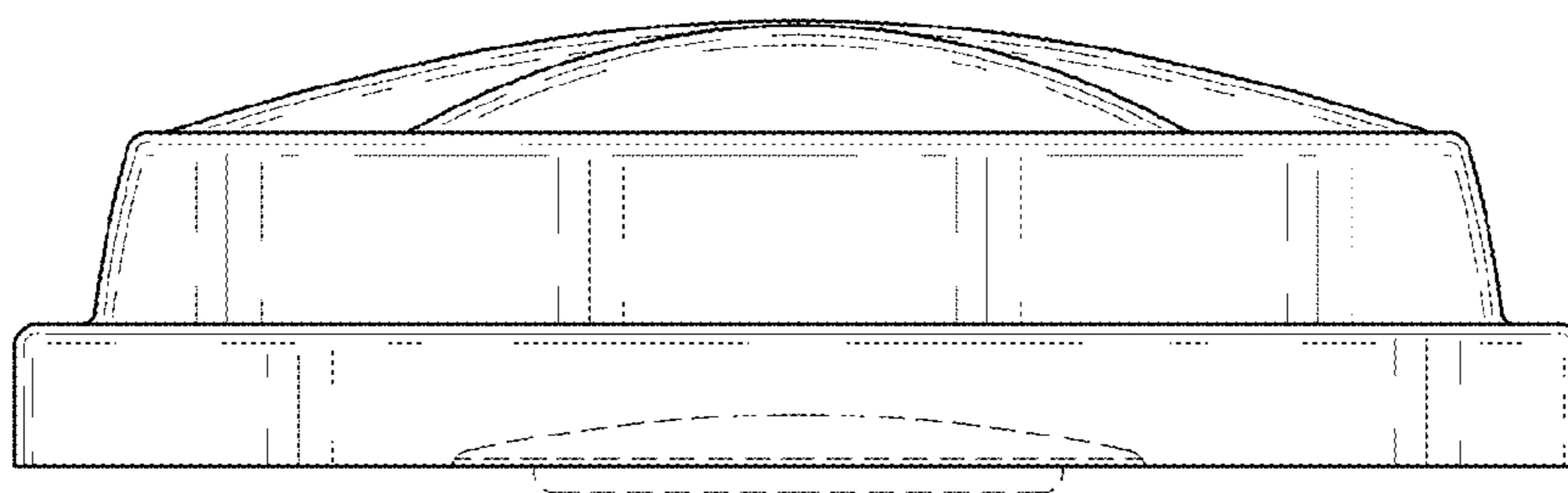


FIG. 5

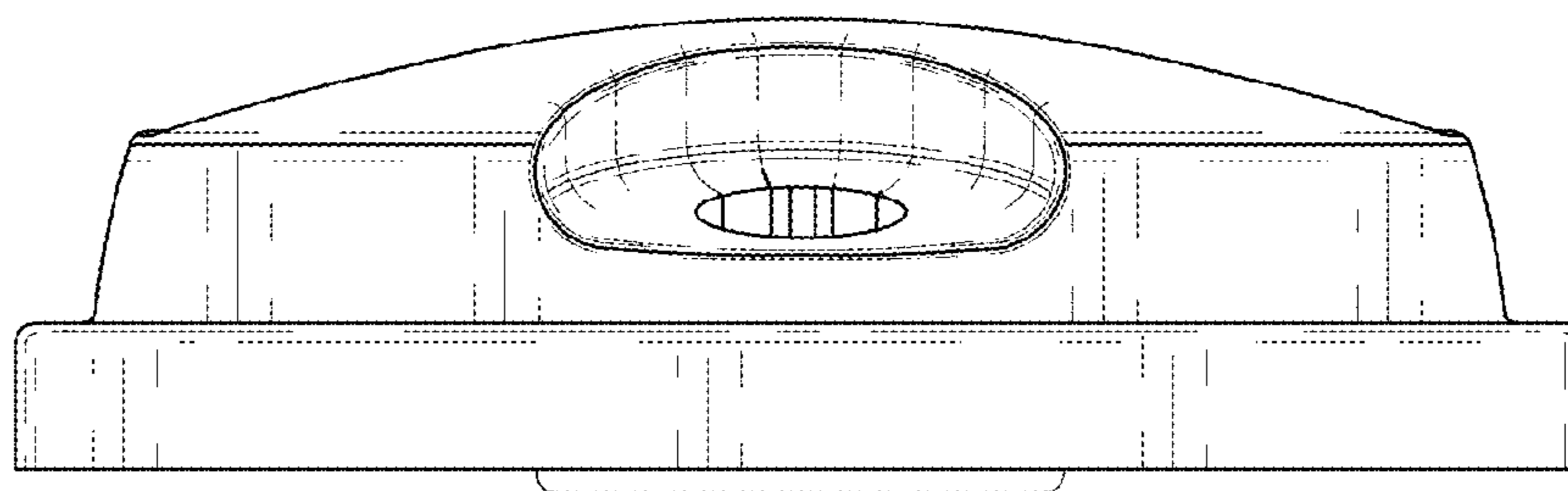


FIG. 6

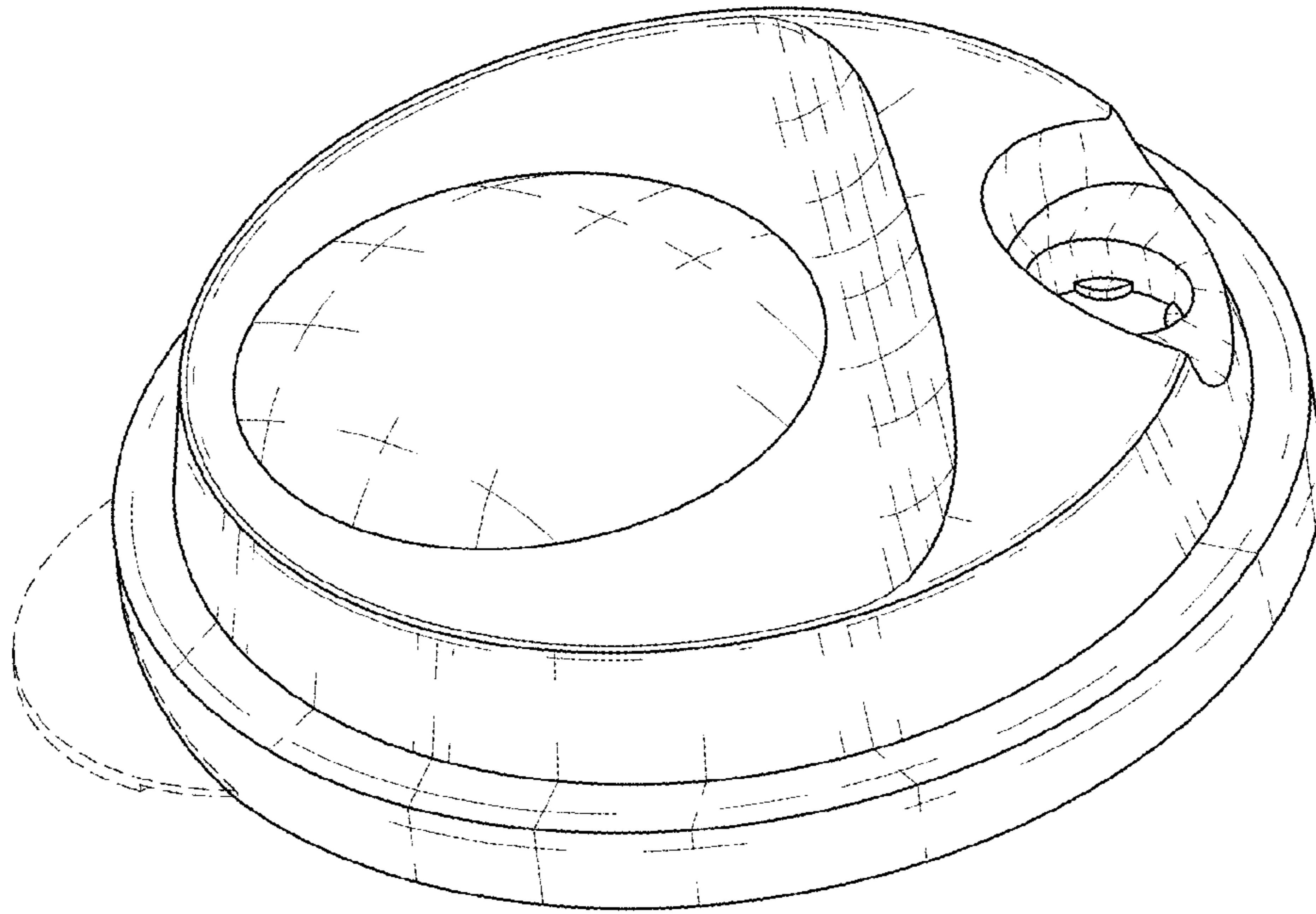


FIG. 7

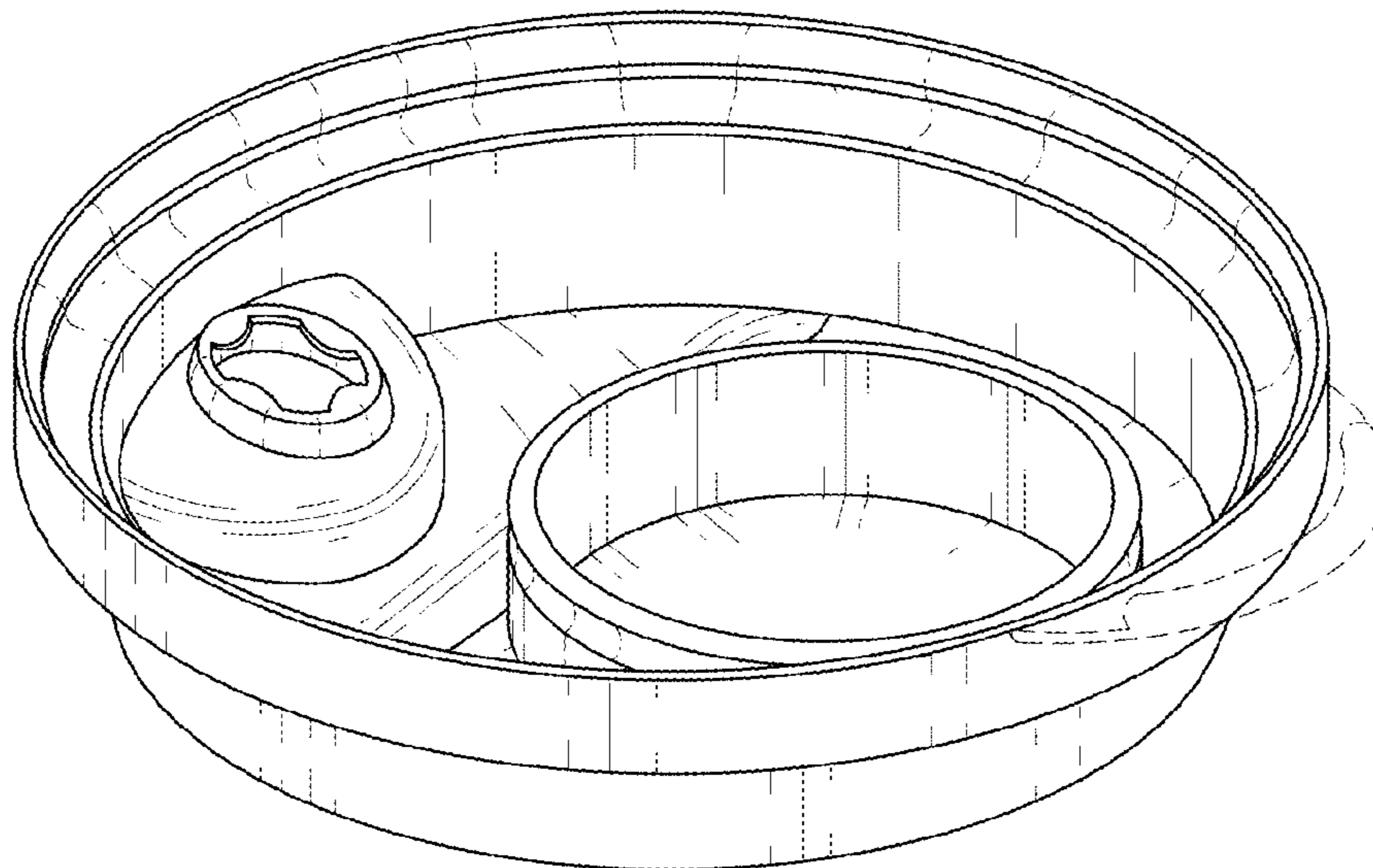


FIG. 8