



US00D691410S

(12) **United States Design Patent**  
**Dichraff et al.**

(10) **Patent No.:** **US D691,410 S**  
(45) **Date of Patent:** **\*\* Oct. 15, 2013**

- (54) **COFFEE POT PRESS**
- (75) Inventors: **Aric Dichraff**, Madison, WI (US); **Craig Stevenson**, Saukville, WI (US); **Morad Ghassemian**, Oak Park, IL (US); **William Cesaroni**, Glenview, IL (US)
- (73) Assignee: **Hy Cite Enterprises, LLC**, Madison, WI (US)

- 4,446,158 A 5/1984 English et al.
- D372,627 S 8/1996 Ireland
- D395,788 S \* 7/1998 Holland ..... D7/321
- D407,943 S \* 4/1999 Chen ..... D7/322
- 6,135,010 A 10/2000 Husted et al.
- D441,248 S 5/2001 Brady
- D449,957 S 11/2001 Yeh
- 6,324,967 B1 12/2001 Robinson
- 6,422,133 B1 7/2002 Brady
- D481,254 S 10/2003 Lin
- D488,340 S 4/2004 Zimmermann

(\*\*) Term: **14 Years**

(Continued)

(21) Appl. No.: **29/422,210**

**OTHER PUBLICATIONS**

(22) Filed: **May 17, 2012**

United States Patent Office Notice of Allowance for U.S. Appl. No. 29/422,208 dated Dec. 24, 2012 (8 pages).

(51) **LOC (9) Cl.** ..... **07-01**

(Continued)

(52) **U.S. Cl.**  
USPC ..... **D7/317**; D7/318

(58) **Field of Classification Search**  
USPC ..... D7/317-322, 310; 220/752; 99/303,  
99/285

*Primary Examiner* — Marianne Pandozzi  
(74) *Attorney, Agent, or Firm* — Michael Best & Friedrich LLP

See application file for complete search history.

(57) **CLAIM**  
The ornamental design for a coffee pot press, as shown and described.

(56) **References Cited**

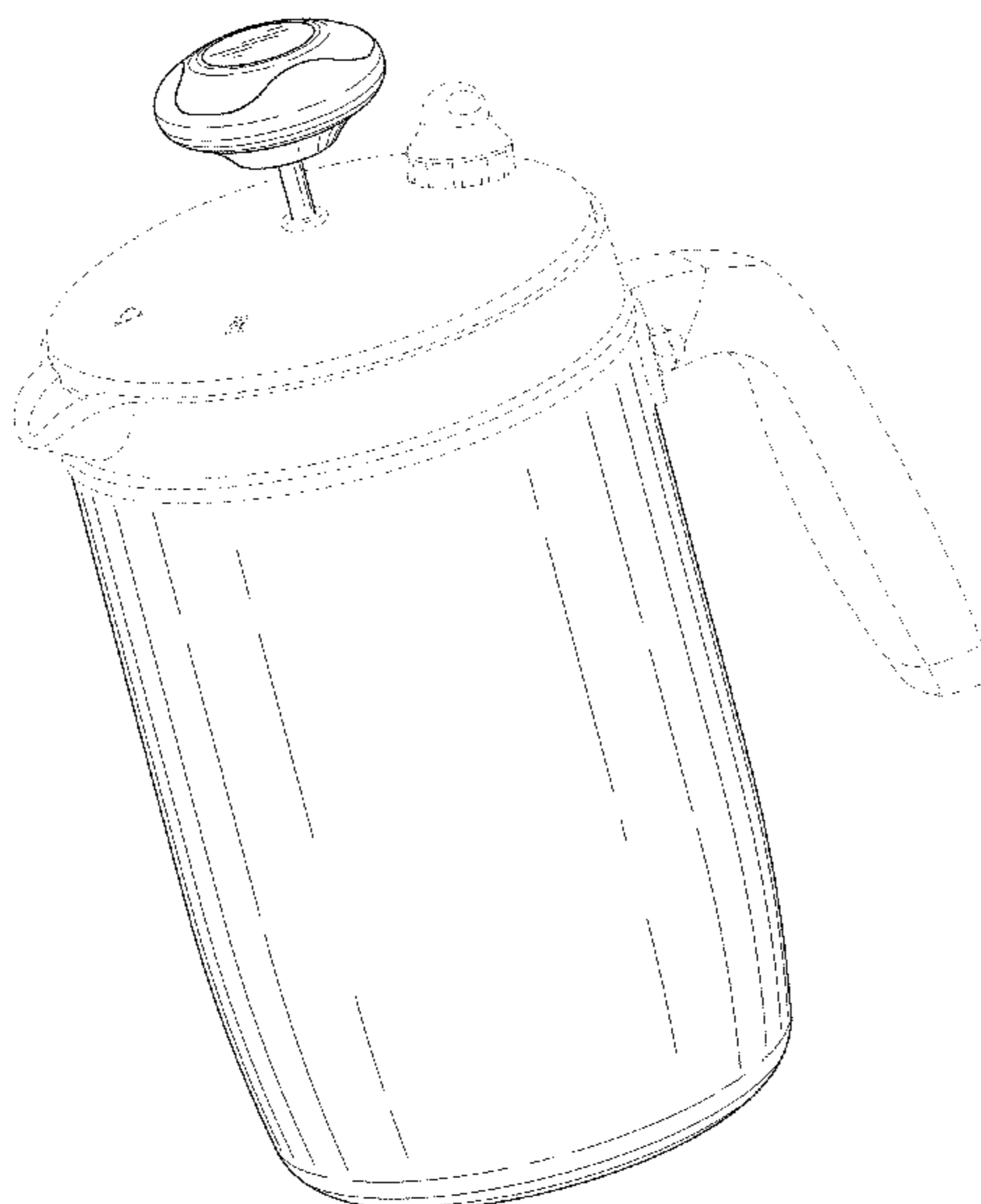
**U.S. PATENT DOCUMENTS**

**DESCRIPTION**

- 161,640 A 4/1875 Smith
- 1,699,303 A 1/1929 Mennicke et al.
- D97,663 S \* 12/1935 Ackerman ..... D7/321
- D149,513 S \* 5/1948 Muller-Munk ..... D7/321
- D153,330 S \* 4/1949 Wemyss ..... D7/321
- 2,562,433 A 7/1951 Moore
- D174,980 S \* 6/1955 Budlong ..... D7/321
- 2,809,578 A 10/1957 Campbell
- 2,826,980 A 3/1958 Willman
- 3,716,169 A \* 2/1973 Chivers ..... 222/157
- 3,841,528 A 10/1974 Eisenberg
- D263,105 S \* 2/1982 Okazaki et al. .... D7/319
- D263,783 S \* 4/1982 Okazaki et al. .... D7/317
- D268,888 S \* 5/1983 Gremontprez ..... D7/321

FIG. 1 is a perspective view of the coffee pot press.  
FIG. 2 is a side view of the coffee pot press shown in FIG. 1.  
FIG. 3 is another side view of the coffee pot press shown in FIG. 1.  
FIG. 4 is front view of the coffee pot press of FIG. 1.  
FIG. 5 is a rear view of the coffee pot press of FIG. 1.  
FIG. 6 is a top view of the coffee pot press of FIG. 1; and,  
FIG. 7 is bottom view of the coffee pot press of FIG. 1.  
The broken line portions of the disclosure are for illustrative purposes only and form no part of the claimed design.

**1 Claim, 6 Drawing Sheets**



(56)

**References Cited**

U.S. PATENT DOCUMENTS

6,797,304	B2	9/2004	McGonagle	
D502,838	S *	3/2005	Ancona .....	D7/321
D504,273	S *	4/2005	Ancona .....	D7/322
D522,796	S	6/2006	Teh-Hsiung	
D525,071	S *	7/2006	Lebowitz .....	D7/321
D526,159	S	8/2006	Schmidt	
7,093,531	B2	8/2006	Tardif	
D527,578	S	9/2006	Schmidt	
D529,328	S *	10/2006	Schmidt et al. ....	D7/322
D531,449	S	11/2006	Ranzoni	
D533,025	S	12/2006	Ranzoni	
D534,763	S	1/2007	Ranzoni	
D541,587	S	5/2007	Pezij	
D553,898	S *	10/2007	De' Longhi .....	D7/321
7,279,660	B2	10/2007	Long et al.	
D557,978	S	12/2007	Bodum	
D566,454	S	4/2008	Bodum	
D567,007	S	4/2008	Bodum	
D573,396	S	7/2008	Gauss	
D587,059	S *	2/2009	Bodum .....	D7/319

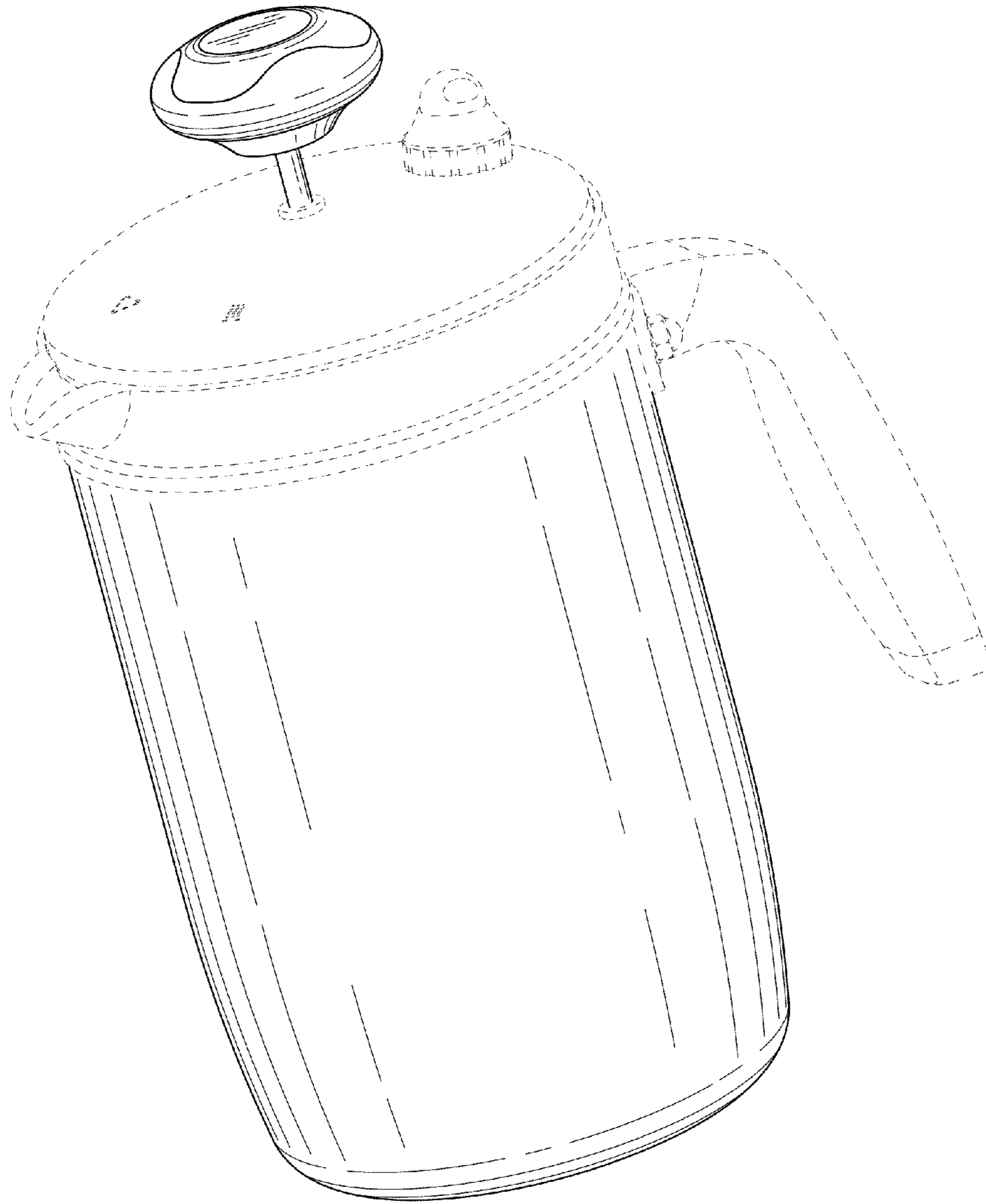
D594,267	S	6/2009	Bodum	
D602,730	S	10/2009	Kino	
D610,860	S	3/2010	Bodum	
D611,288	S	3/2010	Bodum	
D612,660	S	3/2010	Bodum	
7,745,759	B2	6/2010	Long et al.	
D623,011	S	9/2010	Gilbert et al.	
D628,426	S	12/2010	Hoare et al.	
D628,846	S	12/2010	Bodum	
D644,866	S	9/2011	Munro	
D681,392	S *	5/2013	Dichraff et al. ....	D7/393
2006/0236870	A1	10/2006	Tardif	
2008/0274246	A1	11/2008	Glucksman et al.	
2011/0056386	A1	3/2011	Taketani	

OTHER PUBLICATIONS

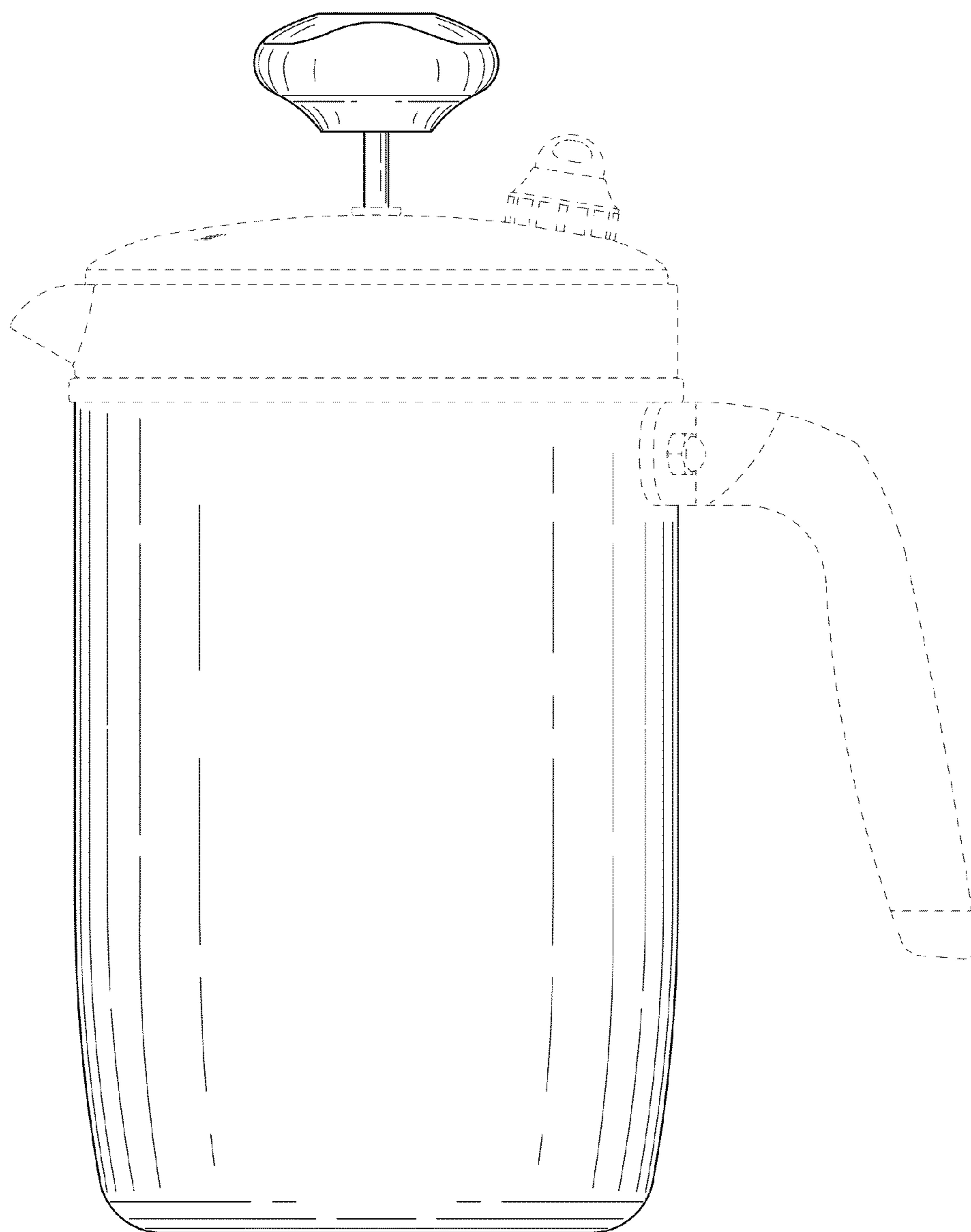
United States Patent Office Notice of Allowance for U.S. Appl. No. 29/422,213 dated Jul. 3, 2013 (9 pages).

United States Patent Office Notice of Allowance for U.S. Appl. No. 29/422,207 dated Jul. 10, 2013 (10 pages).

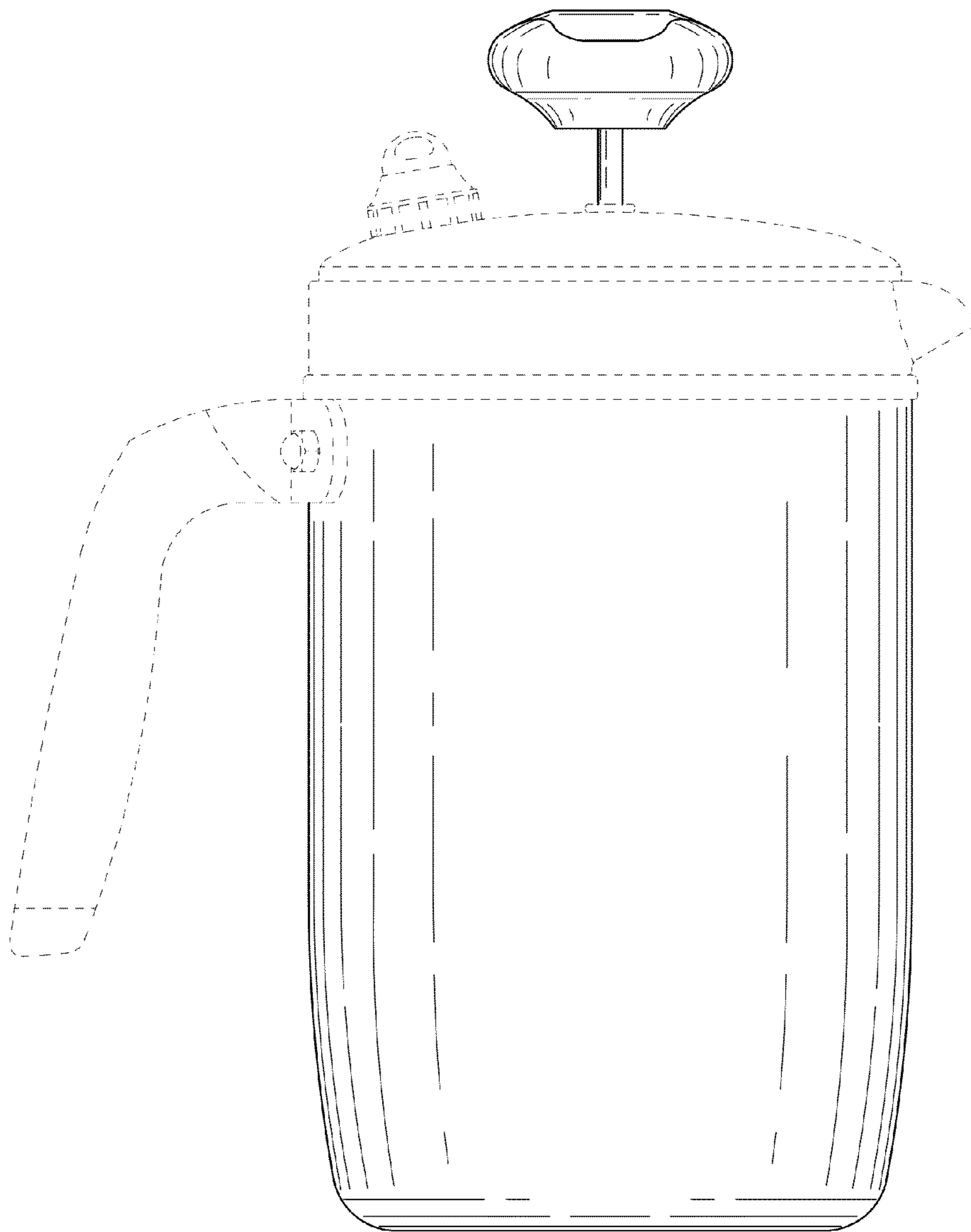
\* cited by examiner



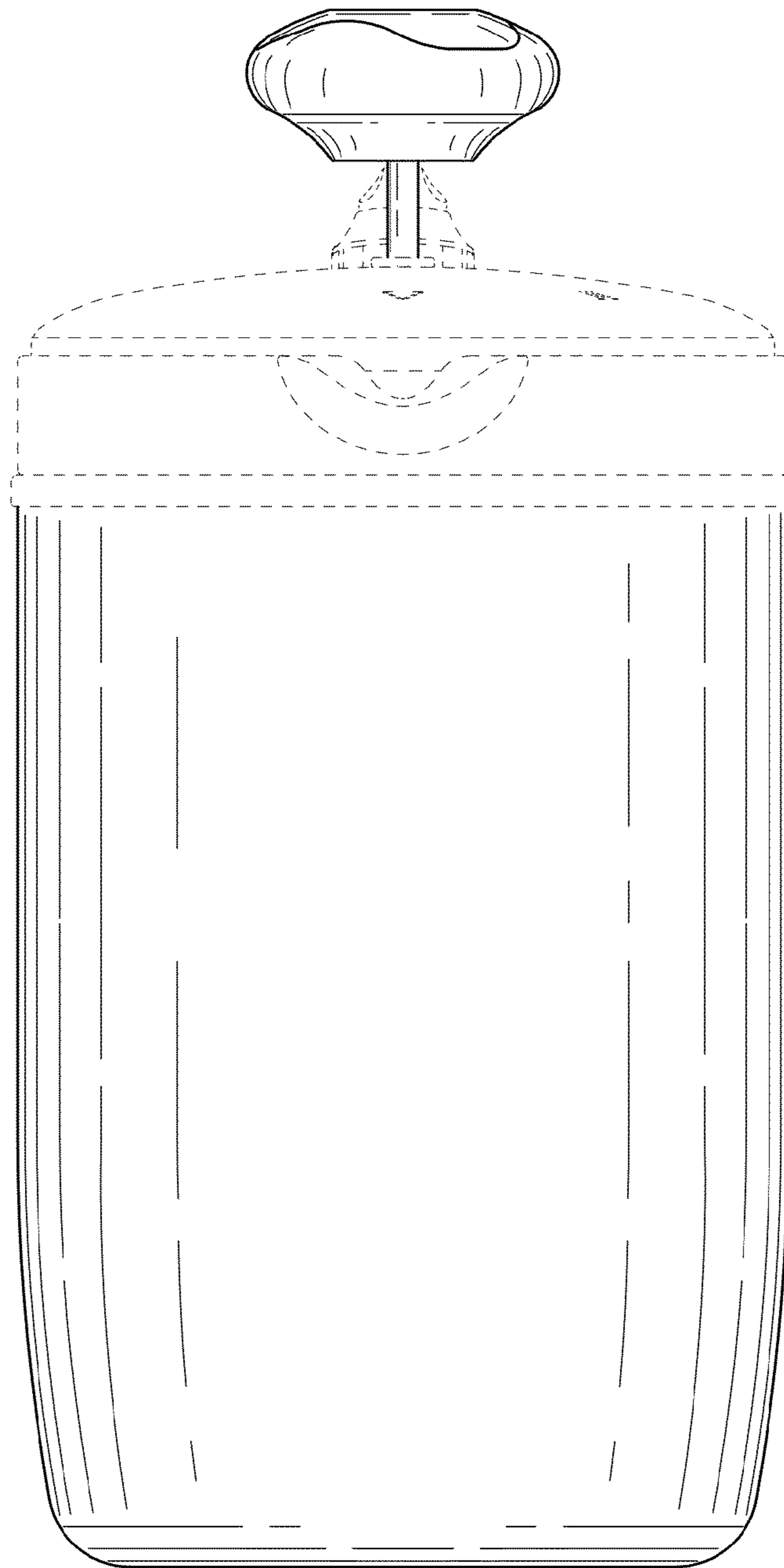
**FIG. 1**



**FIG. 2**

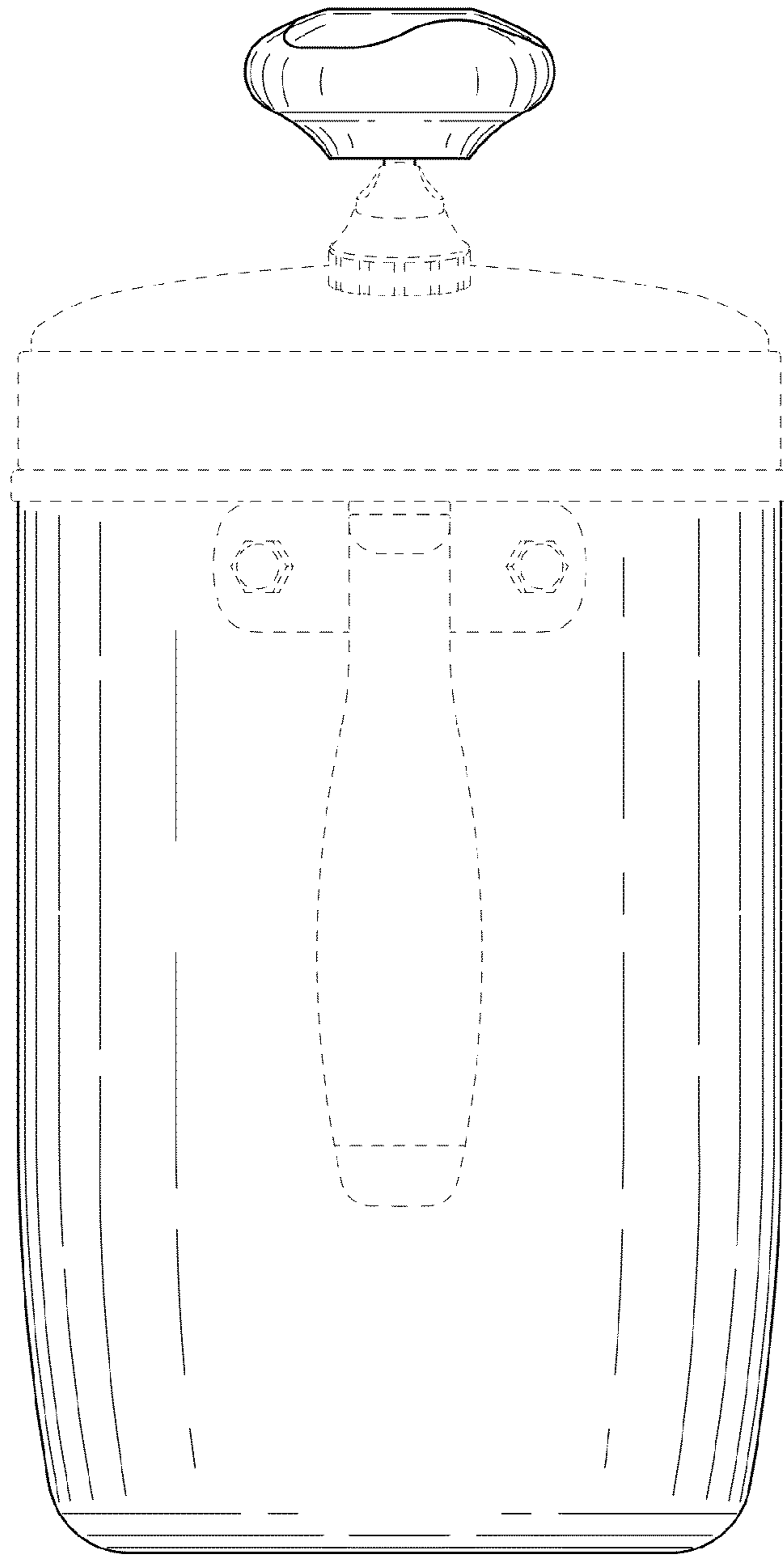


**FIG. 3**

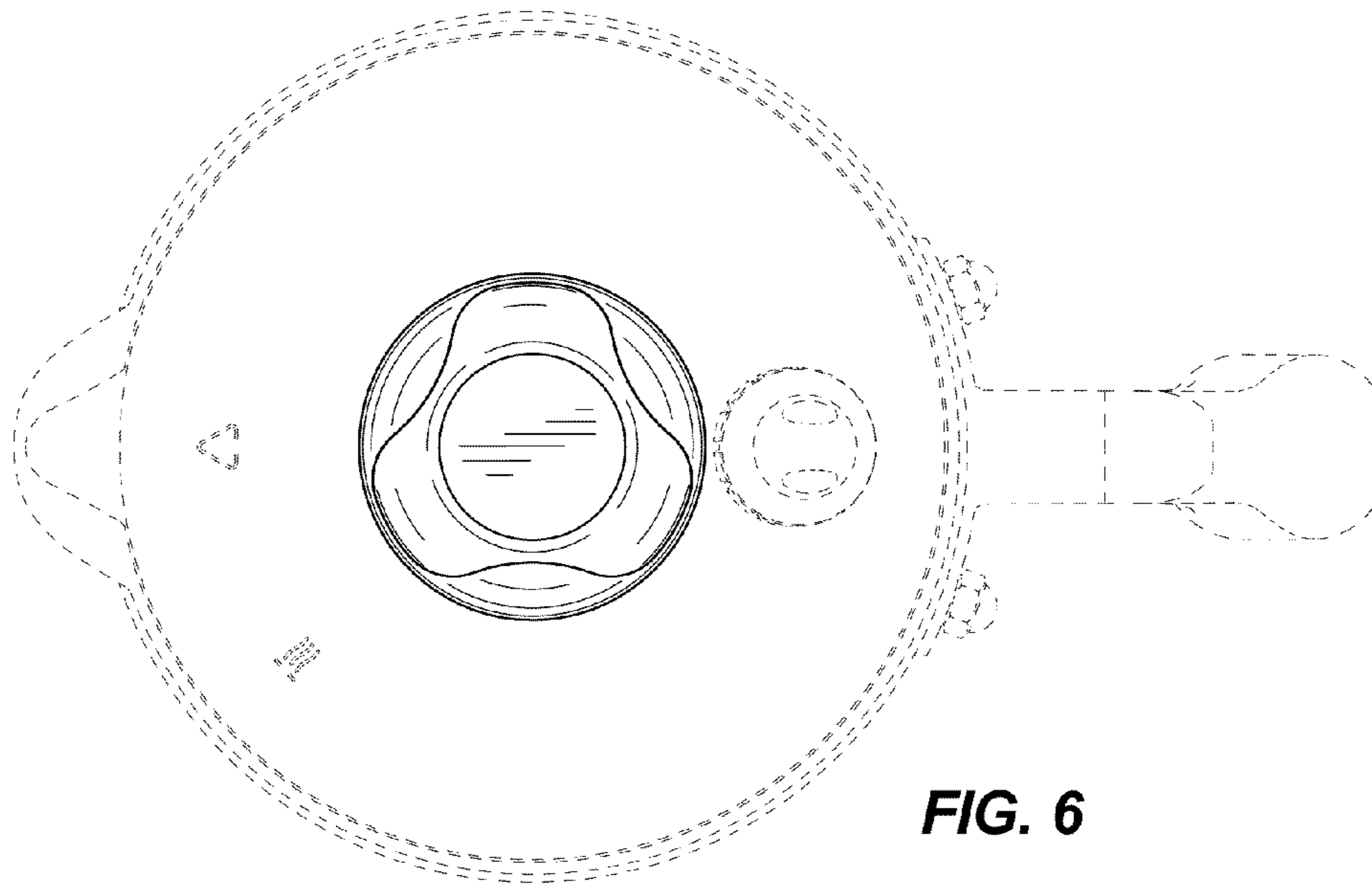


**FIG. 4**

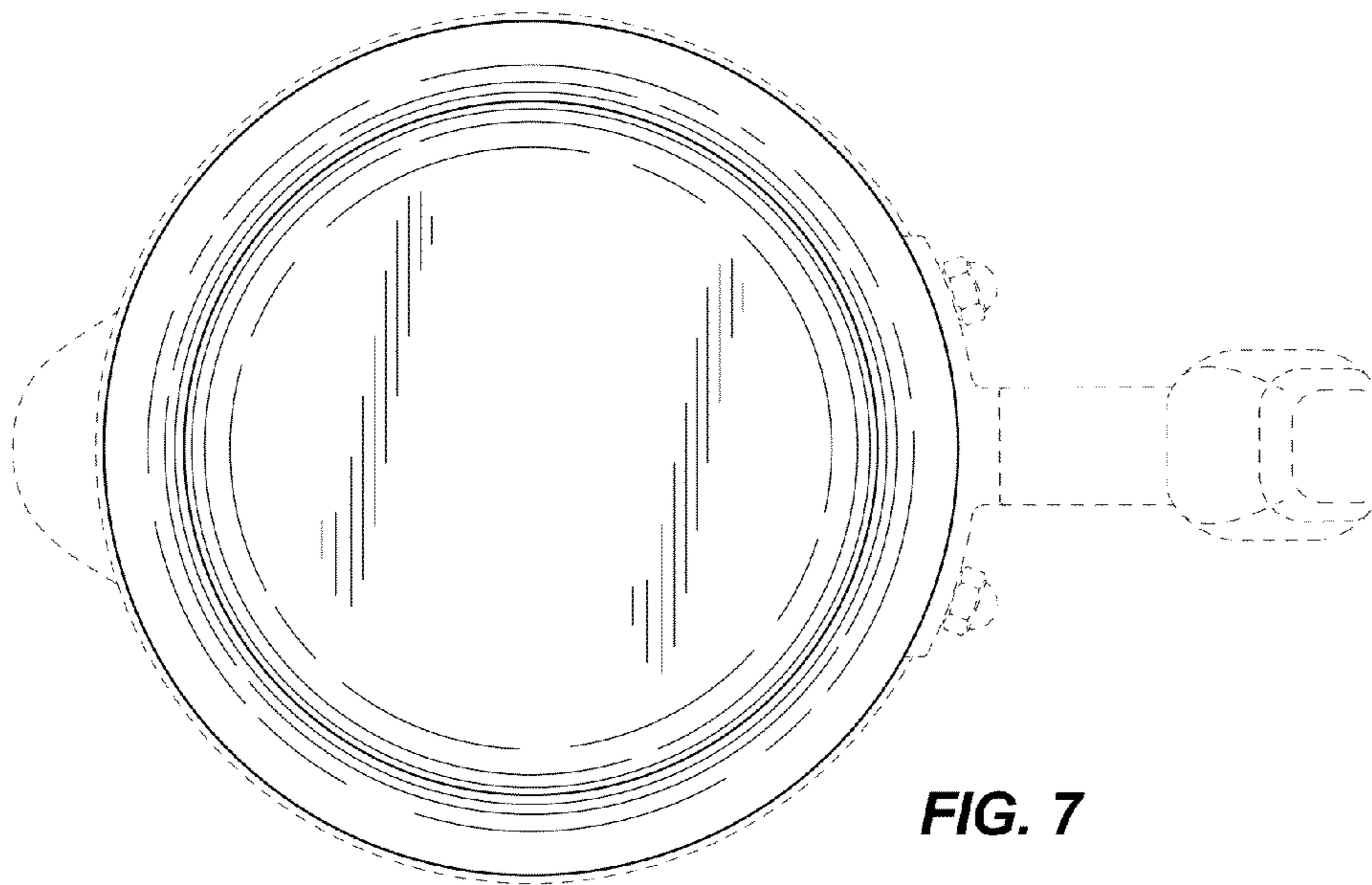




**FIG. 5**



**FIG. 6**



**FIG. 7**