



US00D691409S

(12) **United States Design Patent**  
**Dichraff et al.**

(10) **Patent No.:** **US D691,409 S**  
(45) **Date of Patent:** **\*\* Oct. 15, 2013**

(54) **COFFEE POT PRESS**  
(75) Inventors: **Aric Dichraff**, Madison, WI (US); **Craig Stevenson**, Saukville, WI (US); **Morad Ghassemian**, Oak Park, IL (US); **William Cesaroni**, Glenview, IL (US)

(73) Assignee: **Hy Cite Enterprises, LLC**, Madison, WI (US)

(\*\*) Term: **14 Years**

(21) Appl. No.: **29/422,207**

(22) Filed: **May 17, 2012**

(51) **LOC (9) Cl.** ..... **07-01**

(52) **U.S. Cl.**  
USPC ..... **D7/317; D7/318**

(58) **Field of Classification Search**  
USPC ..... D7/317-319, 320-322, 310; 220/752;  
99/303, 285

See application file for complete search history.

(56) **References Cited**

**U.S. PATENT DOCUMENTS**

161,640	A	4/1875	Smith	
1,699,303	A	1/1929	Mennicke et al.	
D97,663	S *	12/1935	Ackerman	D7/321
D149,513	S *	5/1948	Muller-Munk	D7/321
D153,330	S *	4/1949	Wemyss	D7/321
2,562,433	A	7/1951	Moore	
D174,980	S *	6/1955	Budlong	D7/321
2,809,578	A	10/1957	Campbell	
2,826,980	A	3/1958	Willman	
3,716,169	A *	2/1973	Chivers	222/157
3,841,528	A	10/1974	Eisenberg	
D263,105	S *	2/1982	Okazaki et al.	D7/319
D263,783	S *	4/1982	Okazaki et al.	D7/317
D268,888	S *	5/1983	Gremontprez	D7/321

4,446,158	A	5/1984	English et al.	
D372,627	S	8/1996	Ireland	
D395,788	S *	7/1998	Holland	D7/321
D407,943	S *	4/1999	Chen	D7/322
6,135,010	A	10/2000	Husted et al.	
D441,248	S	5/2001	Brady	
D449,957	S	11/2001	Yeh	
6,324,967	B1	12/2001	Robinson	
6,422,133	B1	7/2002	Brady	
D481,254	S	10/2003	Lin	
D488,340	S	4/2004	Zimmermann	
6,797,304	B2	9/2004	McGonagle	

(Continued)

**OTHER PUBLICATIONS**

United States Patent Office Notice of Allowance for U.S. Appl. No. 29/422,208 dated Dec. 24, 2012 (8 pages).

(Continued)

*Primary Examiner* — Marianne Pandozzi

(74) *Attorney, Agent, or Firm* — Michael Best & Friedrich LLP

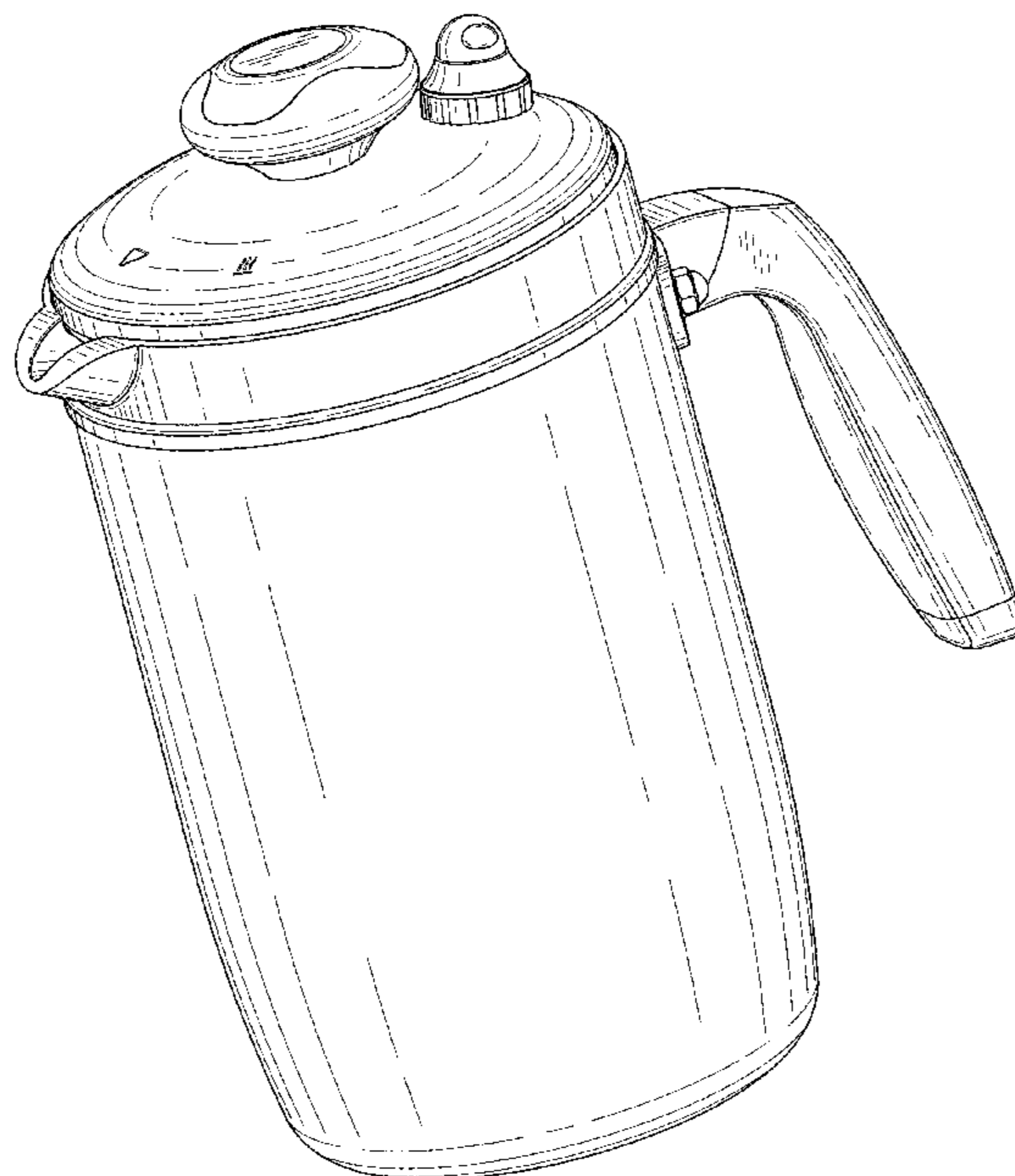
(57) **CLAIM**

The ornamental design for a coffee pot press, as shown and described.

**DESCRIPTION**

FIG. 1 is a perspective view of the coffee pot press.  
FIG. 2 is a side view of the coffee pot press shown in FIG. 1.  
FIG. 3 is another side view of the coffee pot press shown in FIG. 1.  
FIG. 4 is front view of the coffee pot press of FIG. 1.  
FIG. 5 is a rear view of the coffee pot press of FIG. 1.  
FIG. 6 is a top view of the coffee pot press of FIG. 1; and,  
FIG. 7 is bottom view of the coffee pot press of FIG. 1.

**1 Claim, 5 Drawing Sheets**



(56)

**References Cited**

U.S. PATENT DOCUMENTS

D502,838 S \* 3/2005 Ancona ..... D7/321  
 D504,273 S \* 4/2005 Ancona ..... D7/322  
 D522,796 S 6/2006 Teh-Hsiung  
 D525,071 S \* 7/2006 Lebowitz ..... D7/321  
 D526,159 S 8/2006 Schmidt  
 7,093,531 B2 8/2006 Tardif  
 D527,578 S 9/2006 Schmidt  
 D529,328 S \* 10/2006 Schmidt et al. .... D7/322  
 D531,449 S 11/2006 Ranzoni  
 D533,025 S 12/2006 Ranzoni  
 D534,763 S 1/2007 Ranzoni  
 D541,587 S 5/2007 Pezij  
 D553,898 S \* 10/2007 De' Longhi ..... D7/321  
 7,279,660 B2 10/2007 Long et al.  
 D557,978 S 12/2007 Bodum  
 D566,454 S 4/2008 Bodum  
 D567,007 S 4/2008 Bodum  
 D573,396 S 7/2008 Gauss  
 D587,059 S \* 2/2009 Bodum ..... D7/319  
 D594,267 S 6/2009 Bodum

D602,730 S 10/2009 Kino  
 D610,860 S 3/2010 Bodum  
 D611,288 S 3/2010 Bodum  
 D612,660 S 3/2010 Bodum  
 7,745,759 B2 6/2010 Long et al.  
 D623,011 S 9/2010 Gilbert et al.  
 D628,426 S 12/2010 Hoare et al.  
 D628,846 S 12/2010 Bodum  
 D630,882 S 1/2011 Cohen  
 D644,866 S 9/2011 Munro  
 D681,392 S \* 5/2013 Dichraff et al. .... D7/393  
 2006/0236870 A1 10/2006 Tardif  
 2008/0274246 A1 11/2008 Glucksman et al.  
 2011/0056386 A1 3/2011 Taketani

OTHER PUBLICATIONS

United States Patent Office Notice of Allowance for U.S. Appl. No. 29/422,213 dated Jul. 3, 2013 (9 pages).  
 United States Patent Office Notice of Allowance for U.S. Appl. No. 29/422,210 dated Jul. 5, 2013 (10 pages).

\* cited by examiner



**FIG. 1**



**FIG. 2**





**FIG. 3**

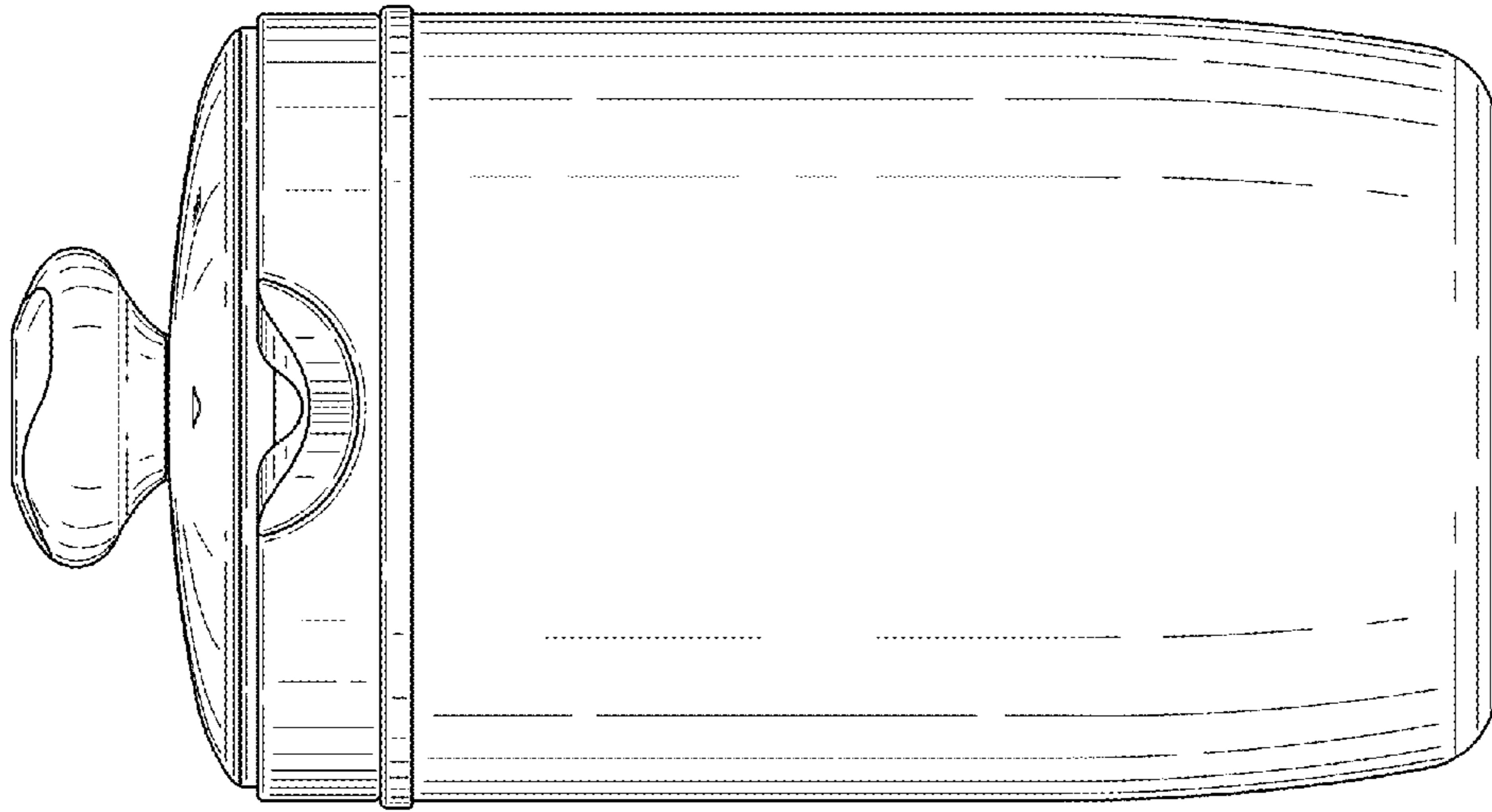


FIG. 4

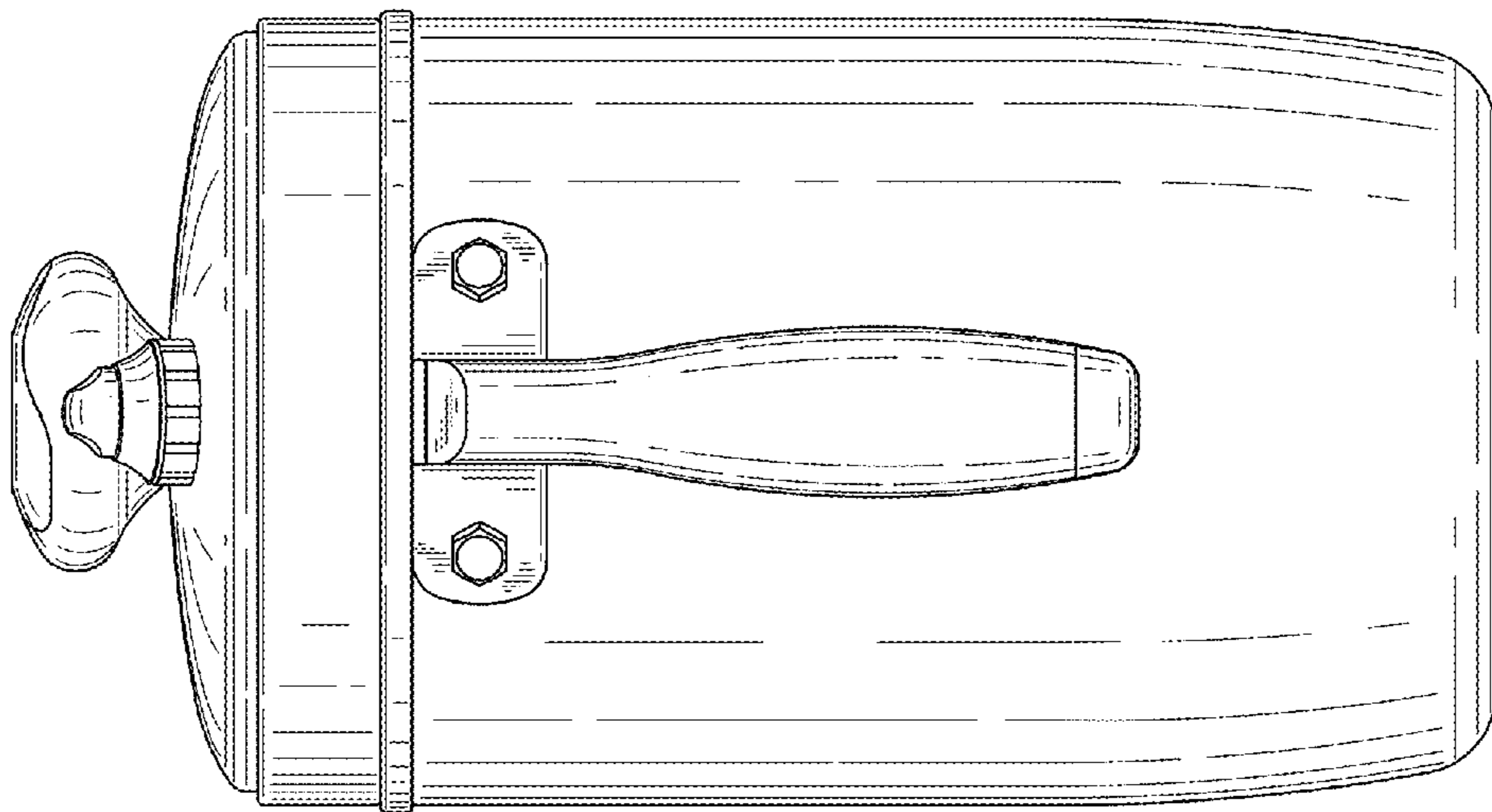
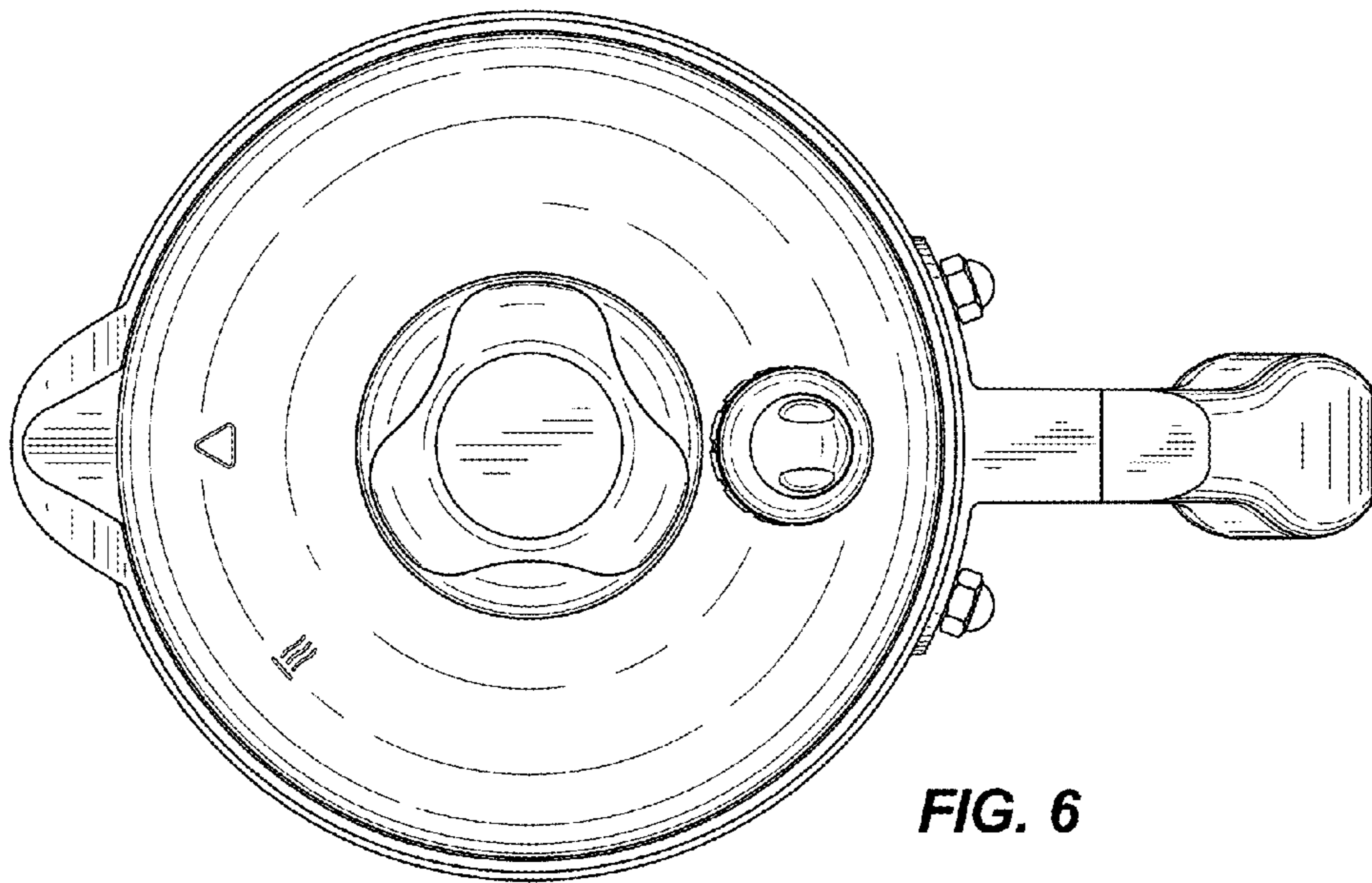
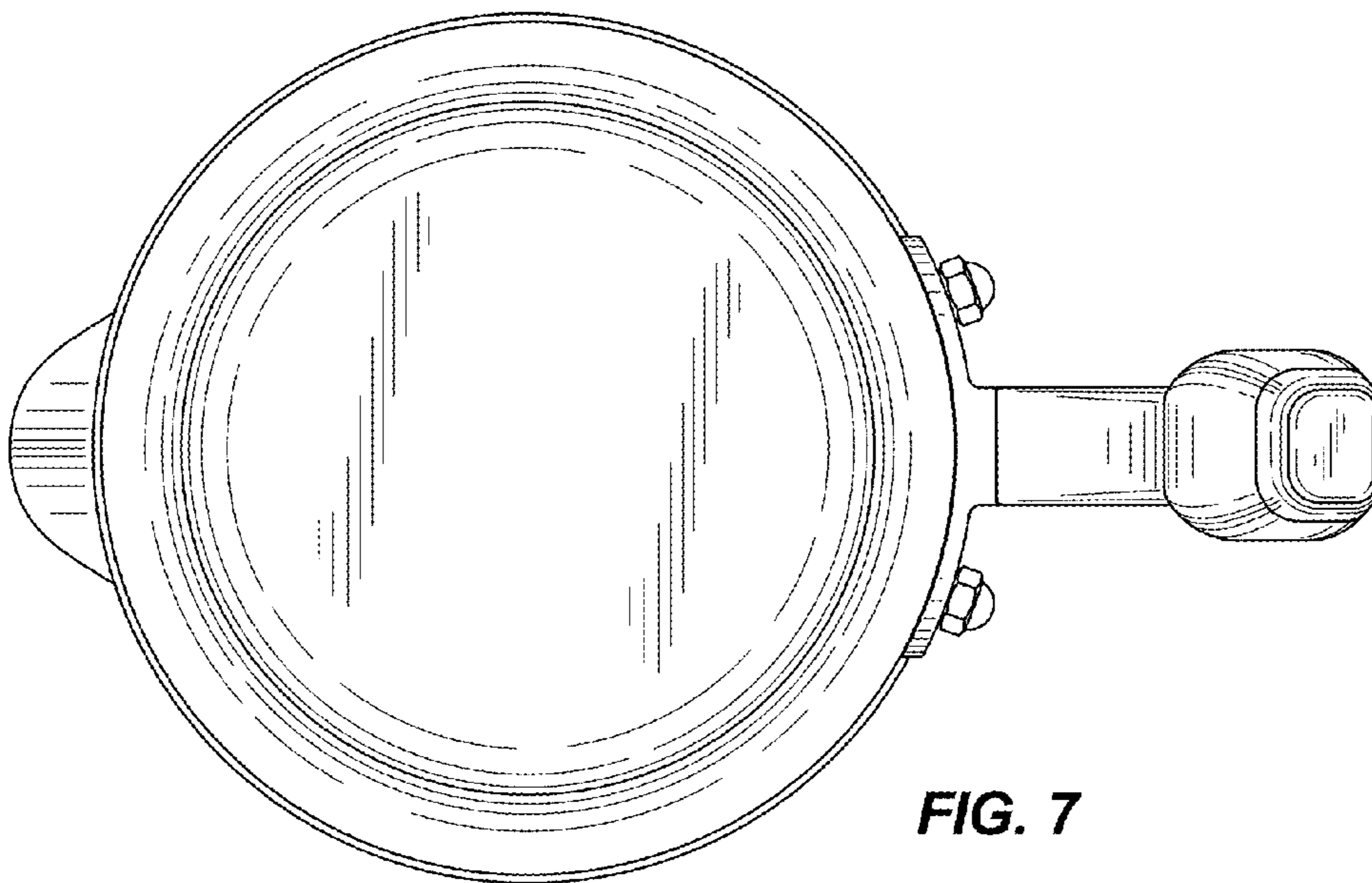


FIG. 5



**FIG. 6**



**FIG. 7**