



US00D691407S

(12) **United States Design Patent**
Nakamura

(10) **Patent No.:** **US D691,407 S**
(45) **Date of Patent:** **** Oct. 15, 2013**

(54) **CHAIR**

(75) Inventor: **Yasuhiro Nakamura**, Shibuya-ku (JP)

(73) Assignee: **Itoki Corporation**, Osaka-shi, Osaka (JP)

(**) Term: **14 Years**

(21) Appl. No.: **29/422,052**

(22) Filed: **May 16, 2012**

(30) **Foreign Application Priority Data**

Nov. 17, 2011 (JP) 2011-026639
Nov. 17, 2011 (JP) 2011-026646
Mar. 26, 2012 (JP) 2012-006825

(51) **LOC (9) Cl.** **06-06**

(52) **U.S. Cl.**
USPC **D6/716.4; D6/366**

(58) **Field of Classification Search**
USPC D6/334-336, 344-353, 360-381, 388,
D6/403, 491-502, 692, 708, 716,
D6/716.2-716.4; 297/16.1, 22, 31, 35,
297/217.1, 228.12, 239, 256.16, 271.6,
297/284.4-284.5, 291, 297, 302.4, 411.2,
297/411.27-411.29, 411.43, 423.1, 423.12,
297/440.11, 440.15, 440.24, 448.1, 451.4,
297/452.13, 452.19, 452.21, 452.27,
297/452.29, 452.3, 452.41, 452.56, 452.64
See application file for complete search history.

(56) **References Cited**

U.S. PATENT DOCUMENTS

D476,821 S * 7/2003 Koepke et al. D6/366
D493,627 S * 8/2004 Ma D6/366
D499,895 S * 12/2004 Olson et al. D6/366
D528,811 S * 9/2006 Giugiaro D6/366
D541,063 S * 4/2007 Su D6/366

D558,995 S * 1/2008 Igarashi D6/366
D558,997 S * 1/2008 Igarashi D6/366
D559,572 S * 1/2008 Igarashi D6/366
D559,573 S * 1/2008 Igarashi D6/366
D559,574 S * 1/2008 Igarashi D6/366
D567,521 S * 4/2008 Igarashi D6/366
D567,522 S * 4/2008 Igarashi D6/366
D579,682 S * 11/2008 Neil D6/366
D599,571 S * 9/2009 Hara D6/366
D639,576 S * 6/2011 Breen D6/366
D640,478 S * 6/2011 Neil D6/366
D643,641 S * 8/2011 Figueroa D6/366
D643,642 S * 8/2011 Figueroa D6/366
D646,915 S * 10/2011 Schweikarth et al. D6/502
D649,795 S * 12/2011 Izawa D6/366
D656,752 S * 4/2012 Moll D6/366
D665,592 S * 8/2012 Citterio D6/366

(Continued)

Primary Examiner — Ricky Pham

(74) *Attorney, Agent, or Firm* — Drinker Biddle & Reath LLP

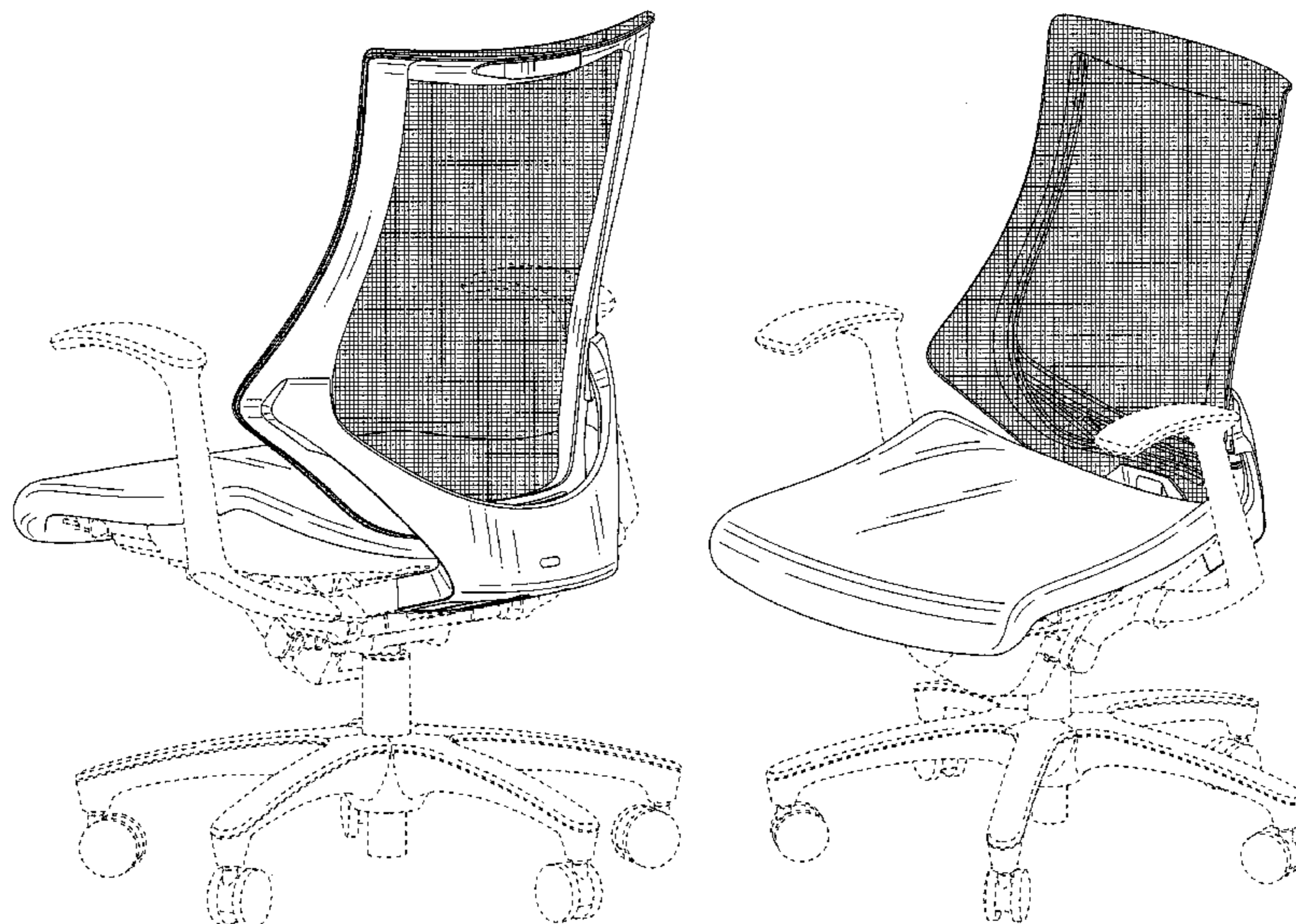
(57) **CLAIM**

The ornamental design for the chair, as shown and described.

DESCRIPTION

FIG. 1 is a rear perspective view of a front and right side of a chair showing my new design;
FIG. 2 is a front perspective view thereof;
FIG. 3 is a front view thereof;
FIG. 4 is a rear view thereof;
FIG. 5 is a left side view thereof;
FIG. 6 is a right side view thereof;
FIG. 7 is a top plan view thereof;
FIG. 8 is a bottom view thereof;
FIG. 9 is a cross section view at 9-9 shown in FIG. 3; and,
FIG. 10 is a cross section view at 10-10 shown in FIG. 7.
The portions of the article in broken lines are shown for illustrative purposes only and form no part of the claimed design.

1 Claim, 10 Drawing Sheets



US D691,407 S

Page 2

(56)

References Cited

U.S. PATENT DOCUMENTS

D667,231 S *	9/2012	Citterio	D6/366
D670,927 S *	11/2012	Hurford	D6/366
D671,759 S *	12/2012	Hurford	D6/366
D666,016 S *	8/2012	Citterio	D6/366

* cited by examiner

Fig. 1

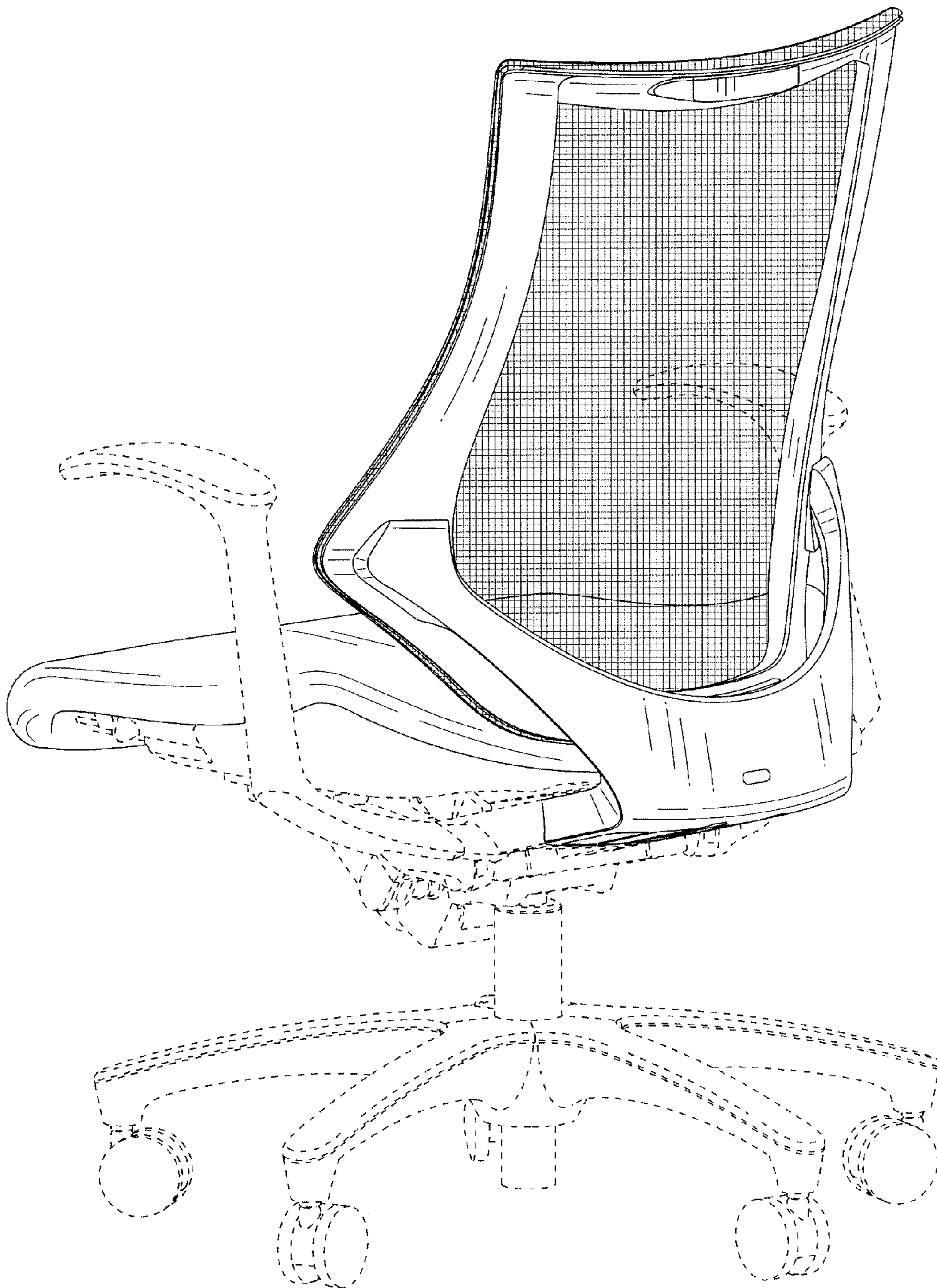


Fig. 2

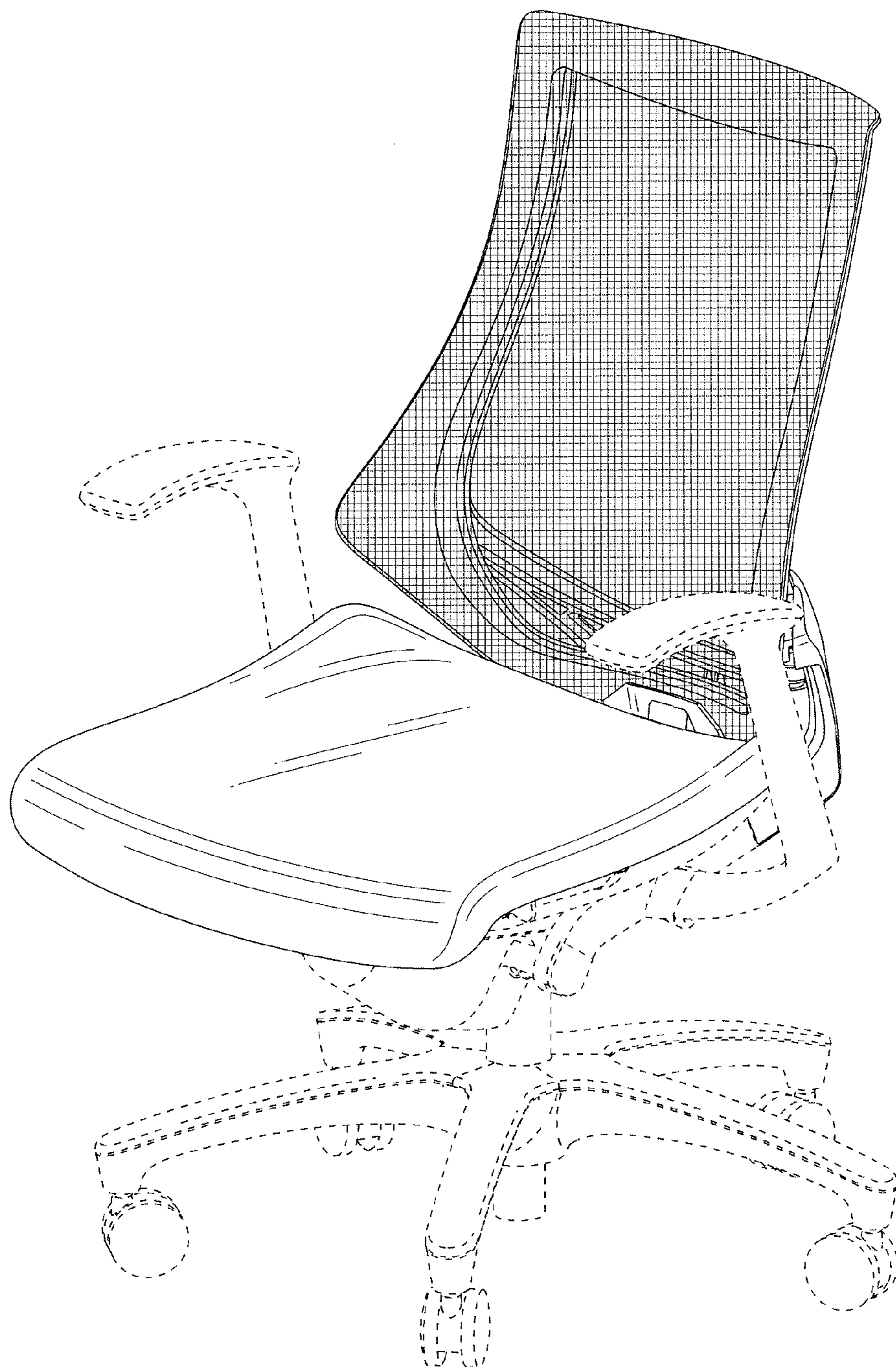


Fig. 3

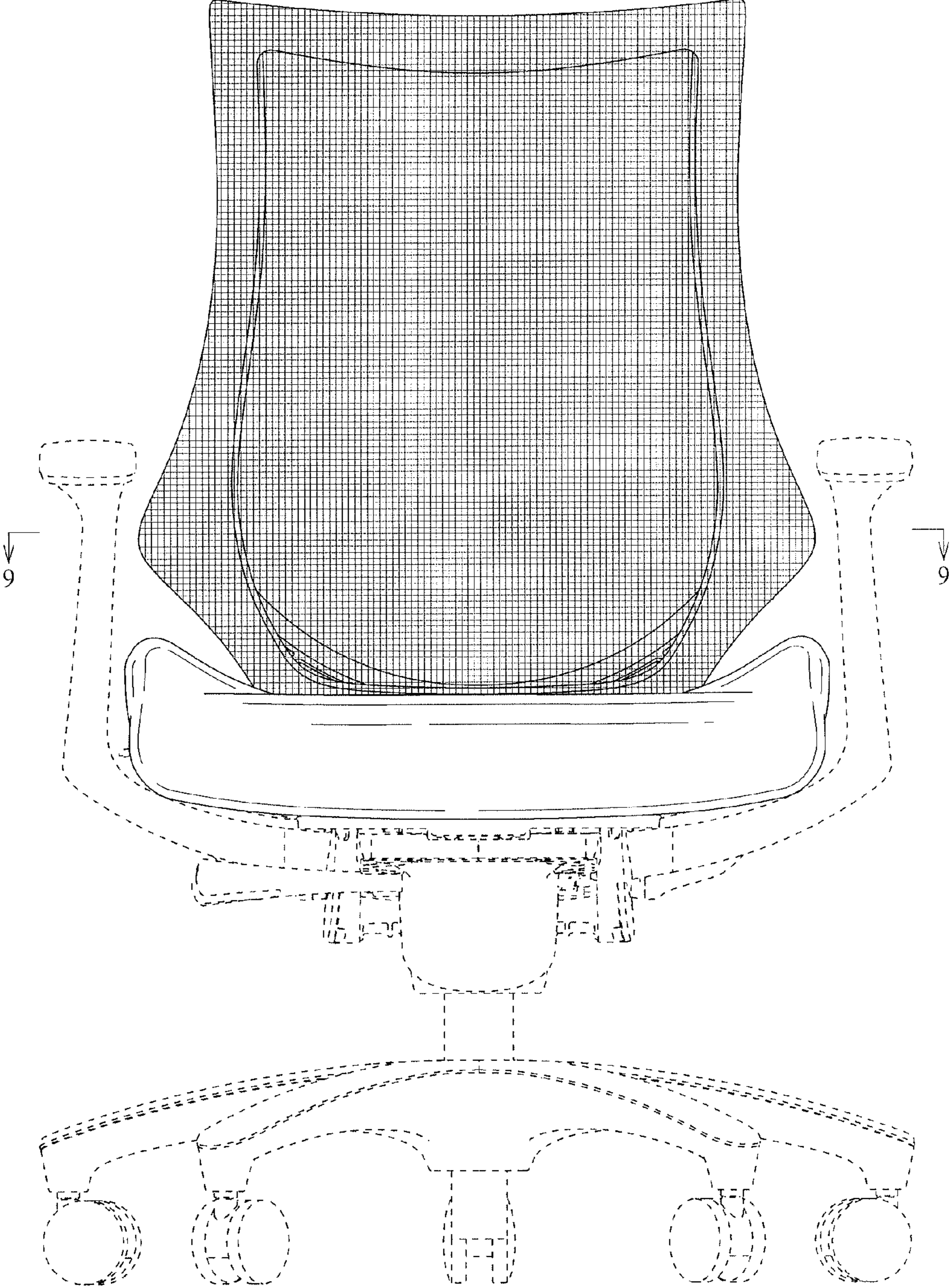


Fig. 4

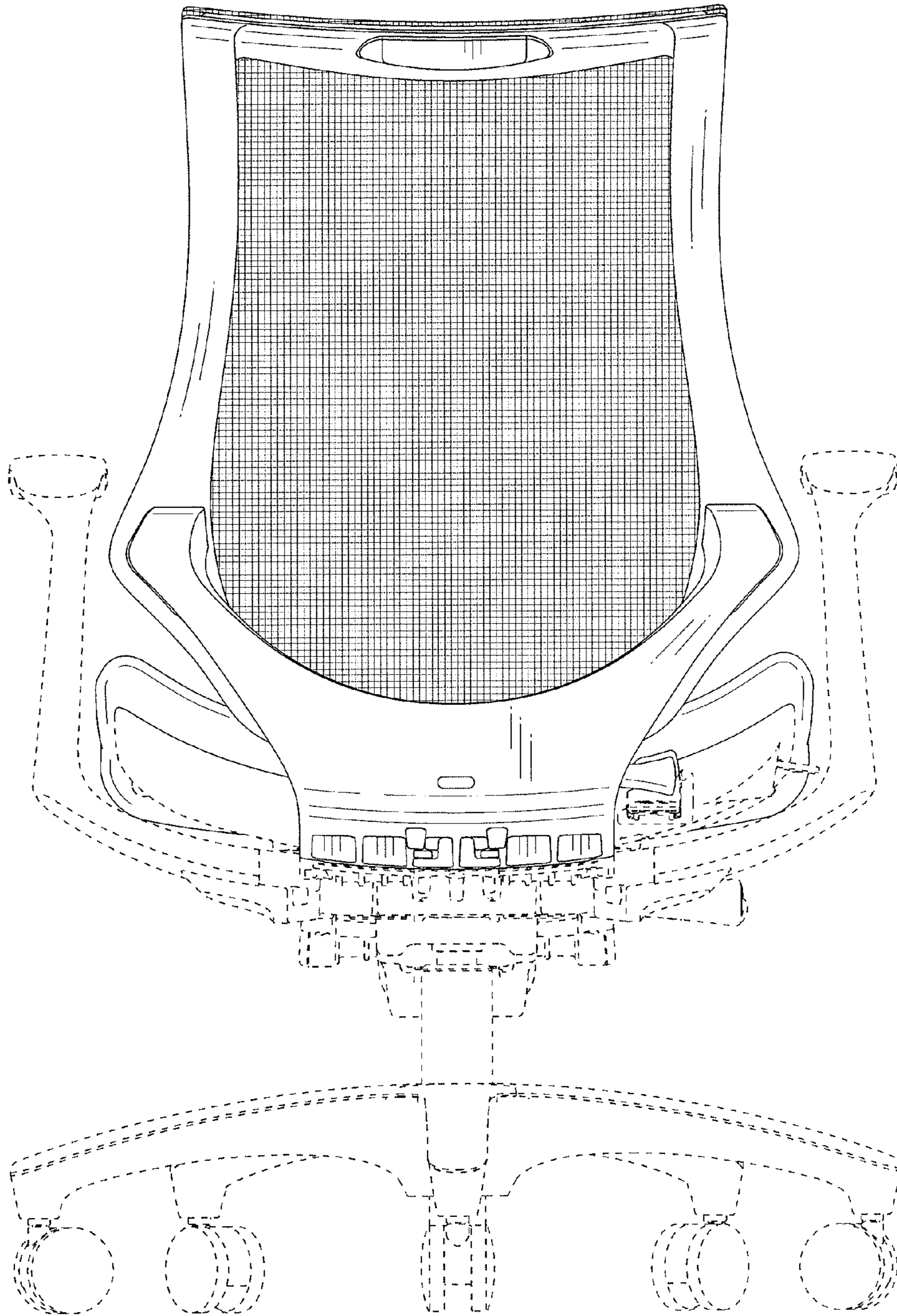


Fig. 5

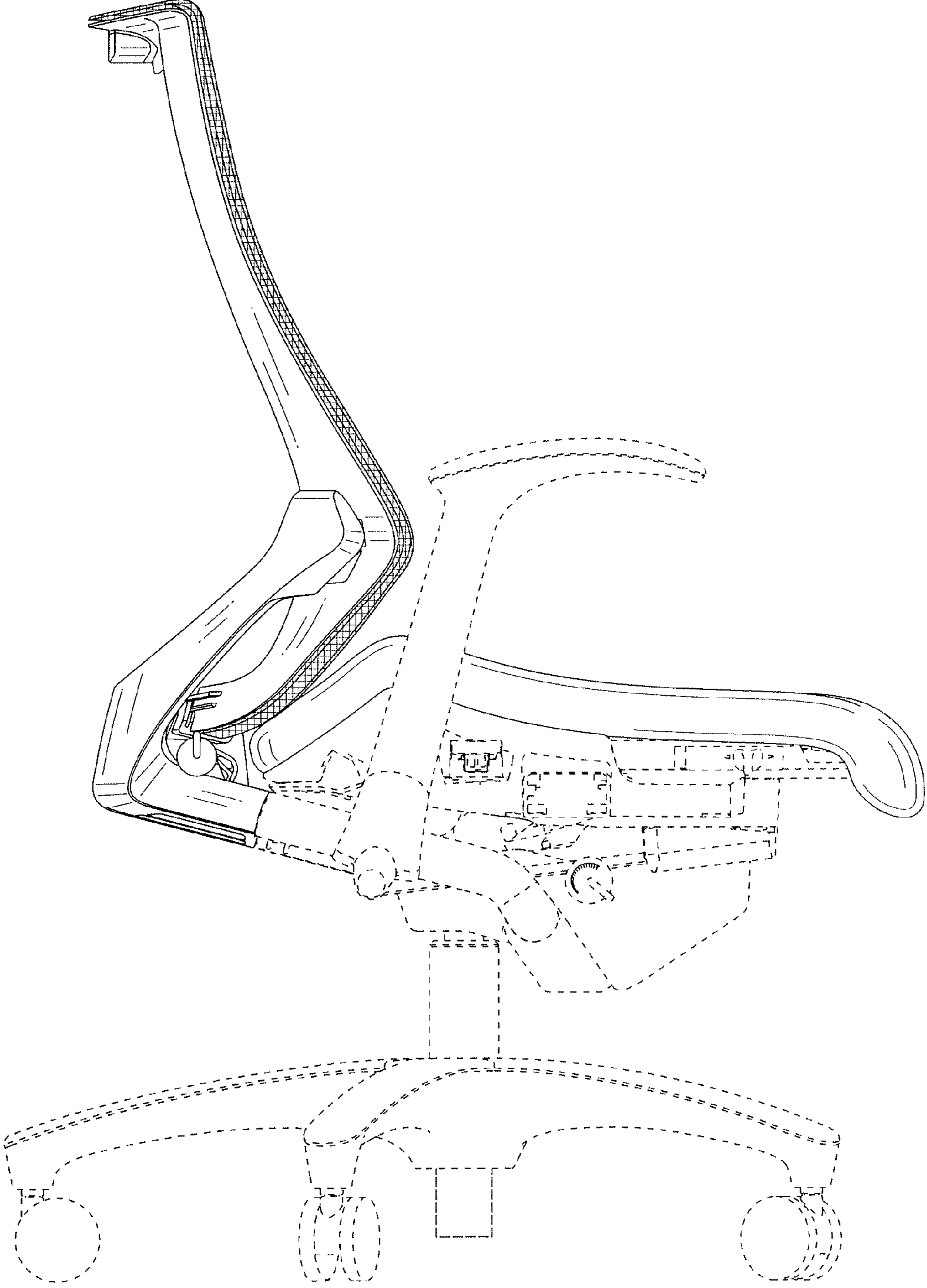


Fig. 6

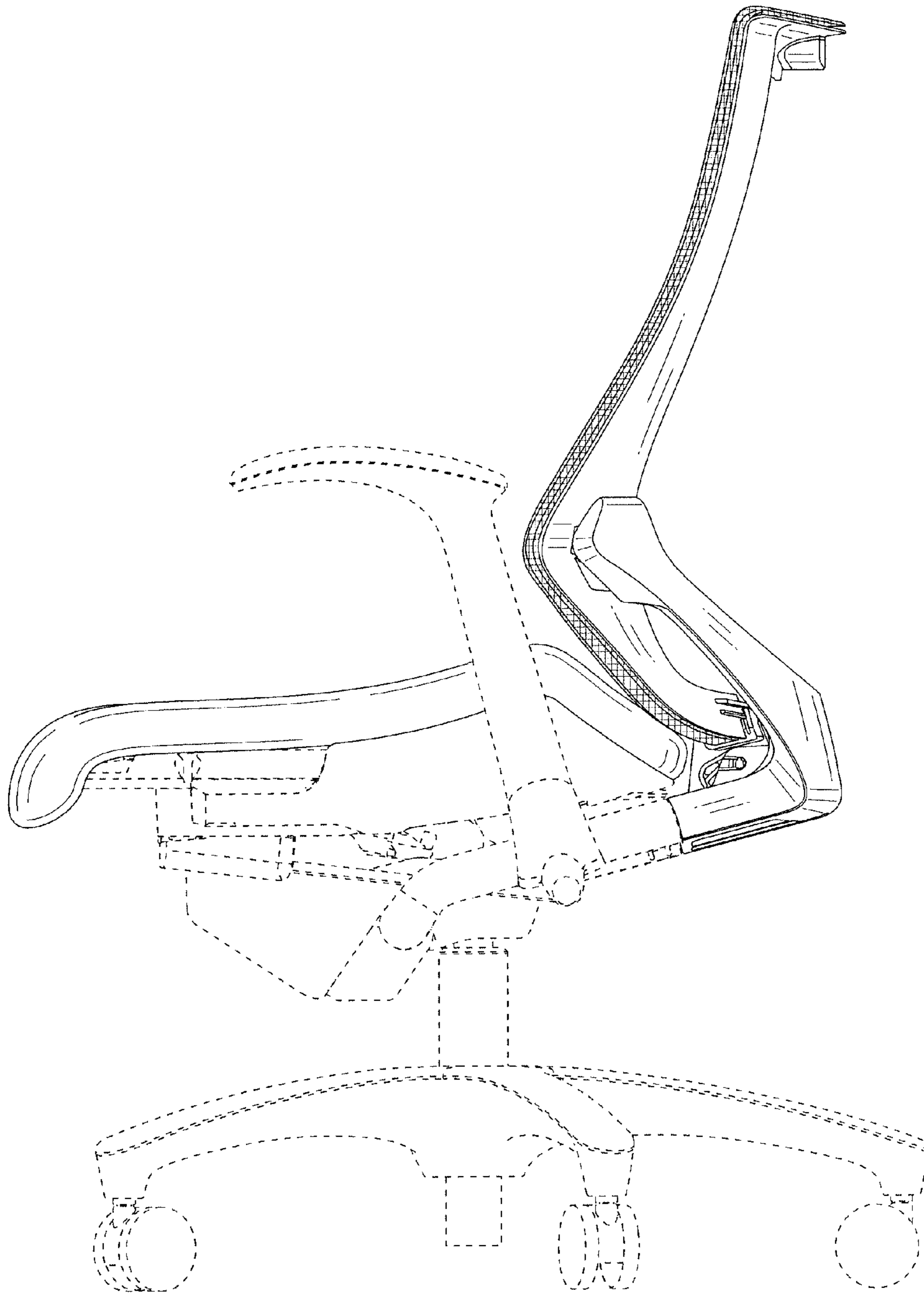


Fig. 7

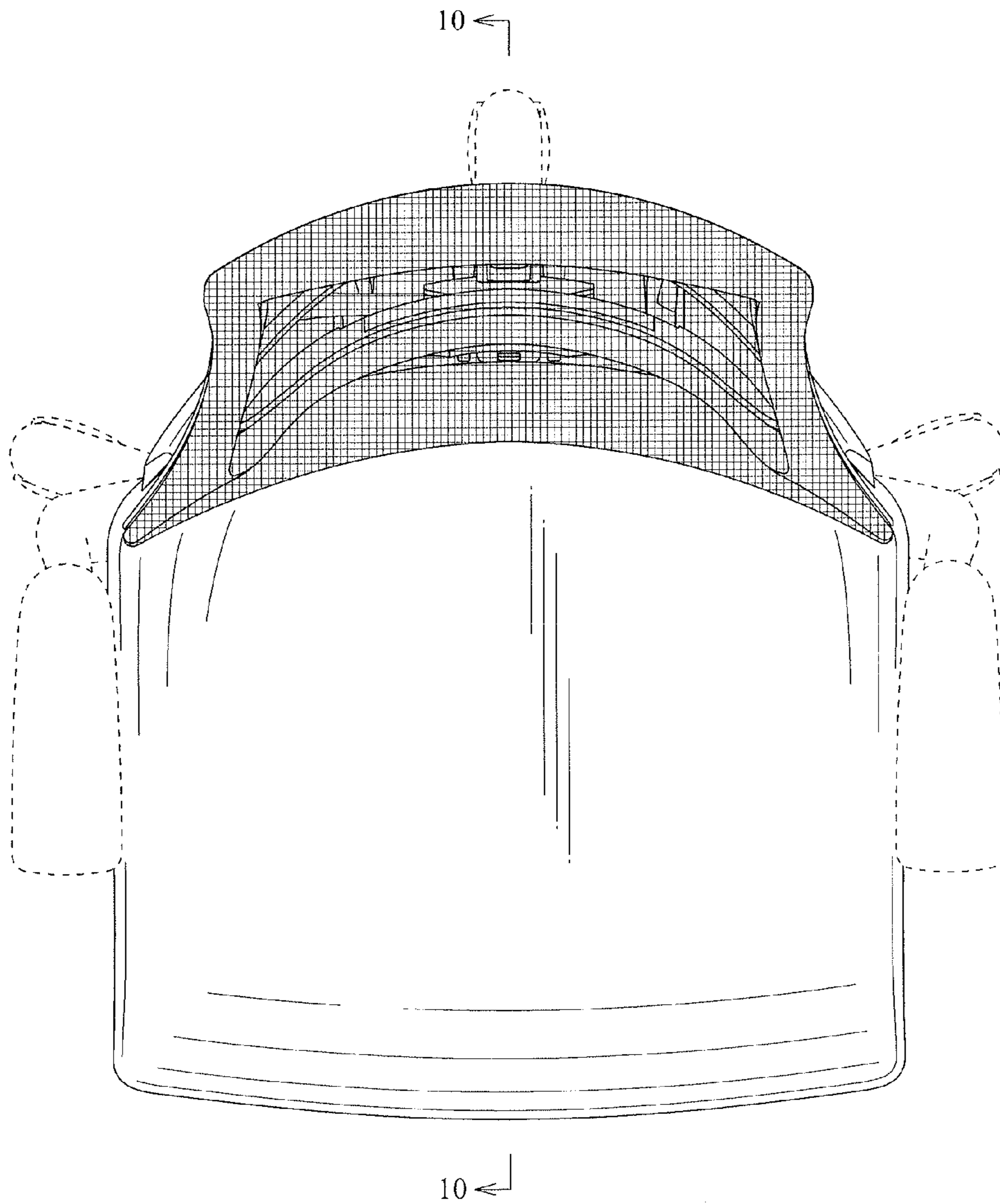


Fig. 8

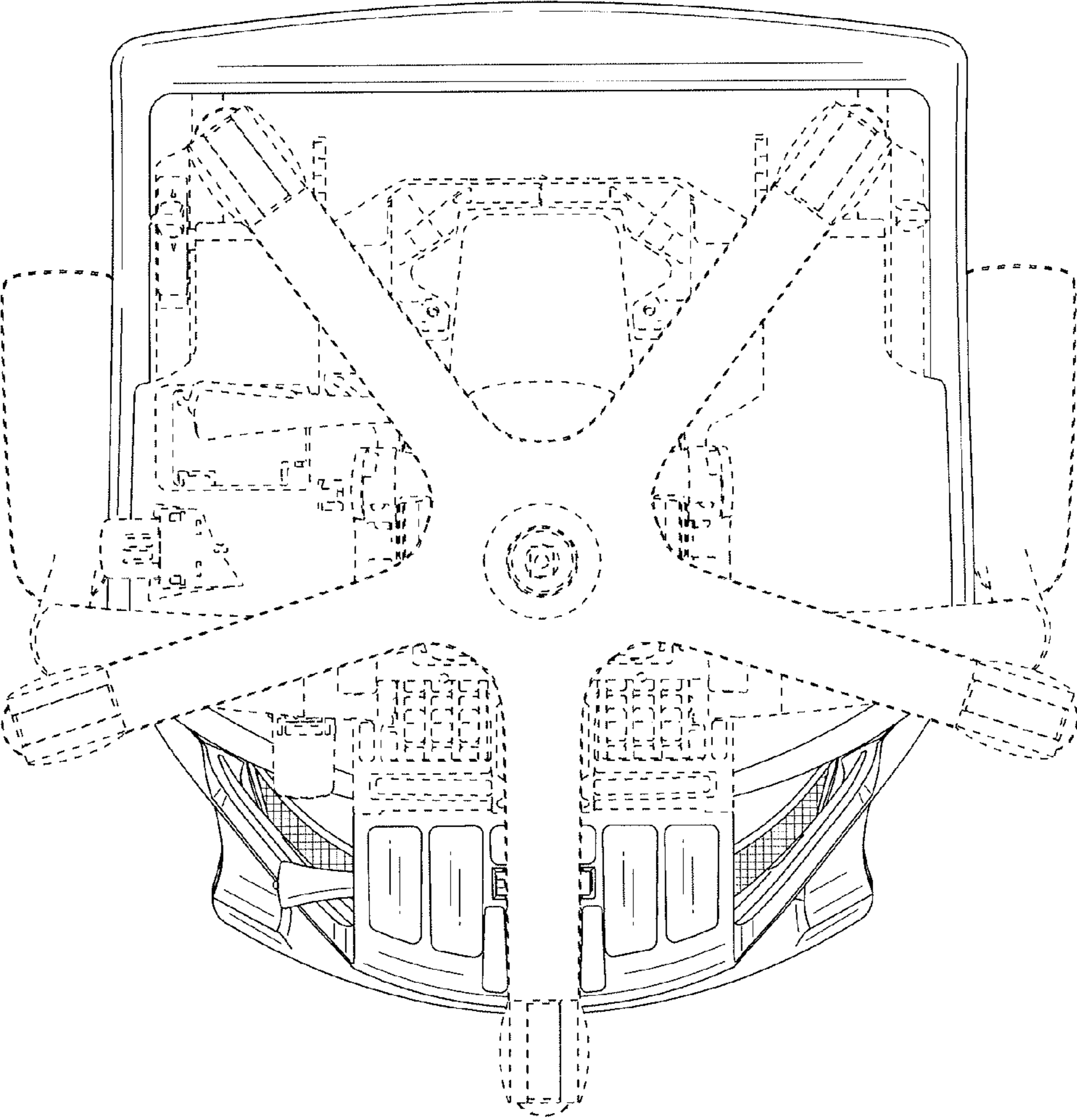


Fig. 9

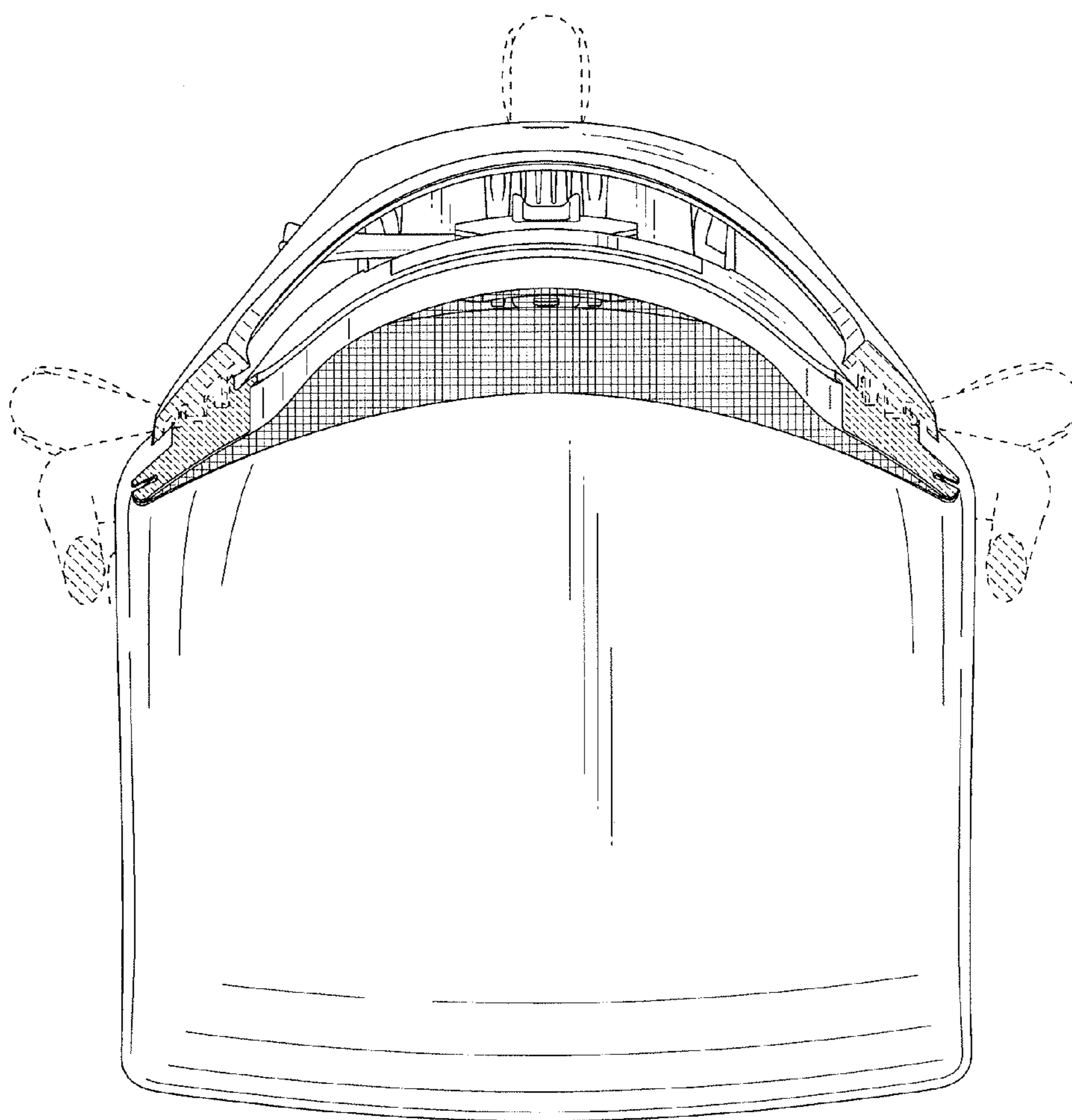


Fig. 10

