



US00D691406S

(12) **United States Design Patent**
Pearsons

(10) **Patent No.:** **US D691,406 S**
(45) **Date of Patent:** **** Oct. 15, 2013**

(54) **TABLE LEG**

(75) Inventor: **Errol Pearsons**, Grand Haven, MI (US)

(73) Assignee: **Gibraltar, Inc.**, Zeeland, MI (US)

(**) Term: **14 Years**

(21) Appl. No.: **29/416,111**

(22) Filed: **Mar. 19, 2012**

(51) **LOC (9) Cl.** **06-06**

(52) **U.S. Cl.**
USPC **D6/709**

(58) **Field of Classification Search**
USPC D6/480-489, 495, 496, 499, 498, 681.1,
D6/709.21, 708.23, 366; 108/150, 153.1,
108/155, 157, 161; 248/188, 188.8, 188.7
See application file for complete search history.

(56) **References Cited**

U.S. PATENT DOCUMENTS

3,186,561	A *	6/1965	Strassle	211/182
3,297,374	A *	1/1967	Radek	312/108
D272,954	S *	3/1984	Sparks	D34/21
D274,586	S *	7/1984	Cope et al.	D6/420
D380,915	S *	7/1997	Dadabay	D6/480
D400,361	S *	11/1998	Sobrito	D6/332
D501,741	S *	2/2005	Risdall	D6/480
D537,266	S *	2/2007	Ward	D6/411
D668,894	S *	10/2012	Denby et al.	D6/495

OTHER PUBLICATIONS

<http://izzyplus.com/izzy/products/furniture/rylee.aspx?page=2>, pp. 1-4.

* cited by examiner

Primary Examiner — Janice Seeger

(74) *Attorney, Agent, or Firm* — Timothy J. Engling; Miller Canfield Paddock & Stone P.L.C.

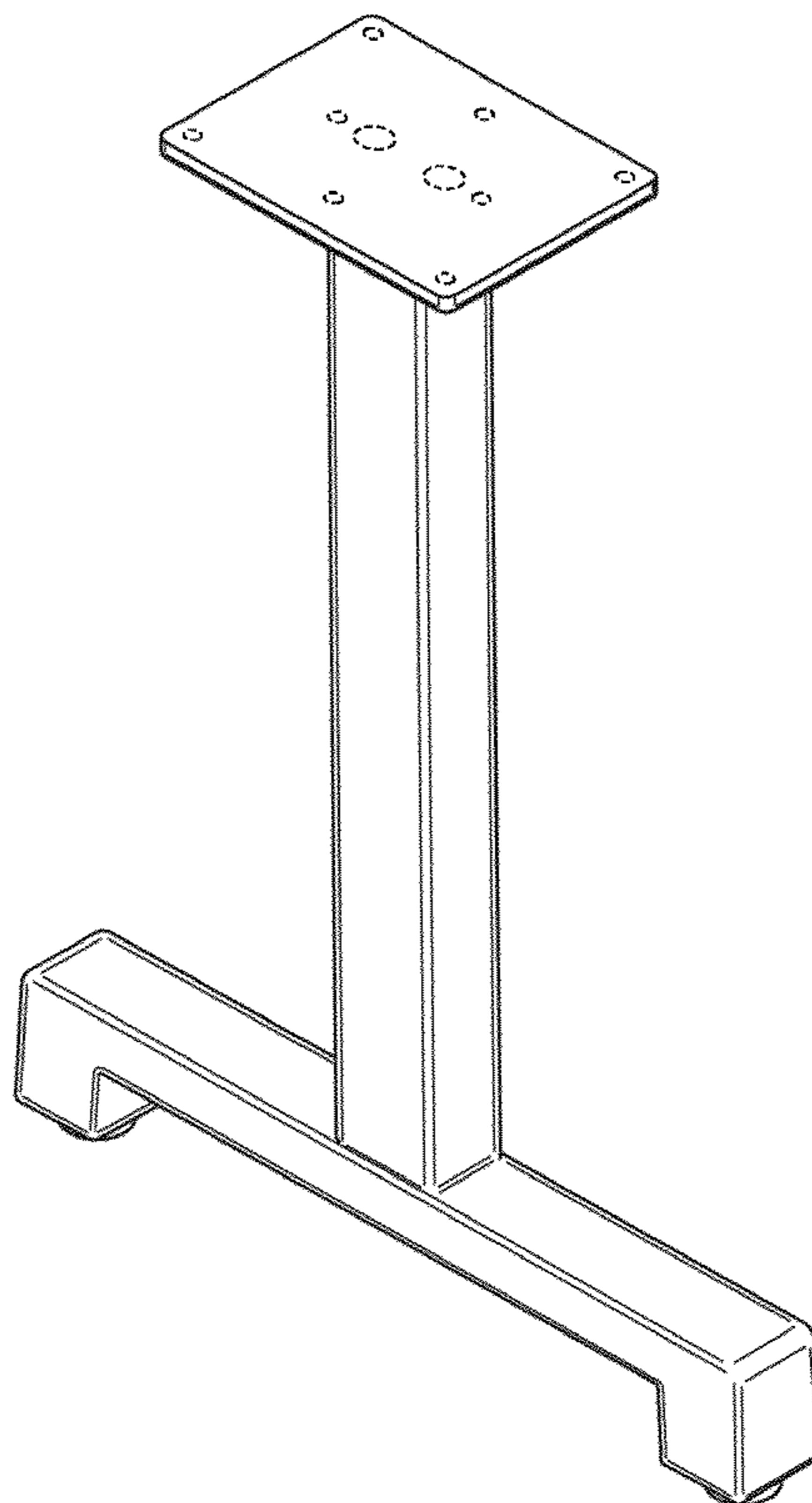
(57) **CLAIM**

The ornamental design for a table leg, as shown and described.

DESCRIPTION

FIG. 1 is a top view of a table leg;
FIG. 2 is a side view of the table leg;
FIG. 3 is an end view of the table leg;
FIG. 4 is a side view of the table leg;
FIG. 5 is an end view of the table leg;
FIG. 6 is a perspective view of the table leg; and,
FIG. 7 is a perspective view of the table leg.
The bottom view not shown forms no part of the claimed design.
The broken lines are for environmental purposes only and form no part of the claimed design.

1 Claim, 6 Drawing Sheets



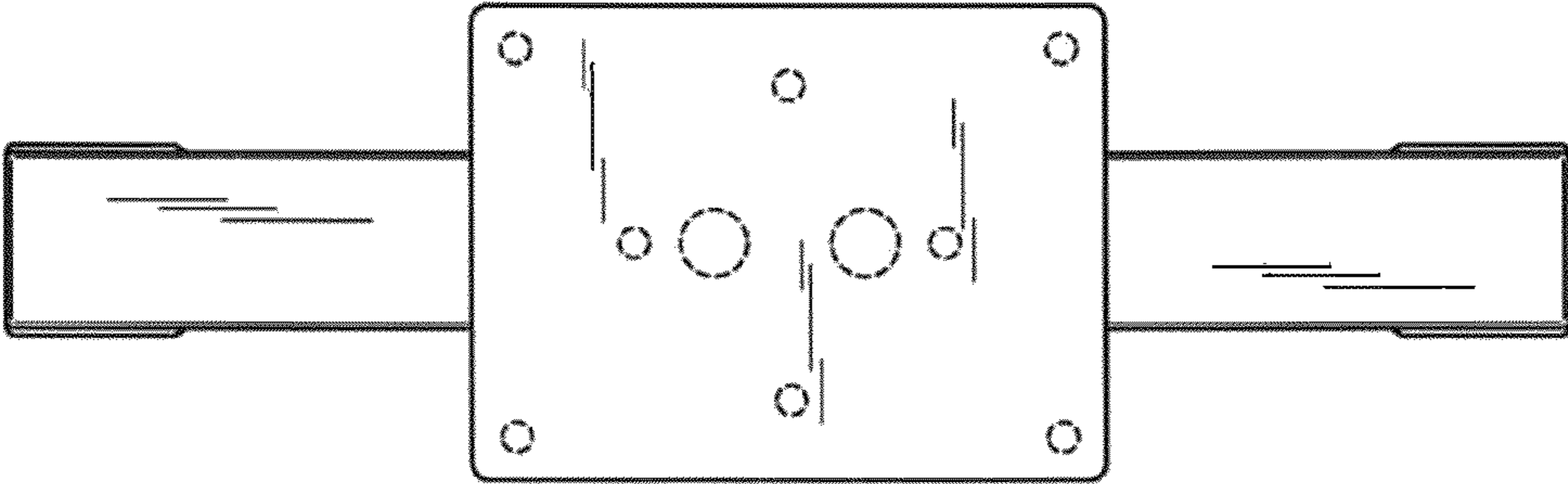


FIG. 1

FIG. 2

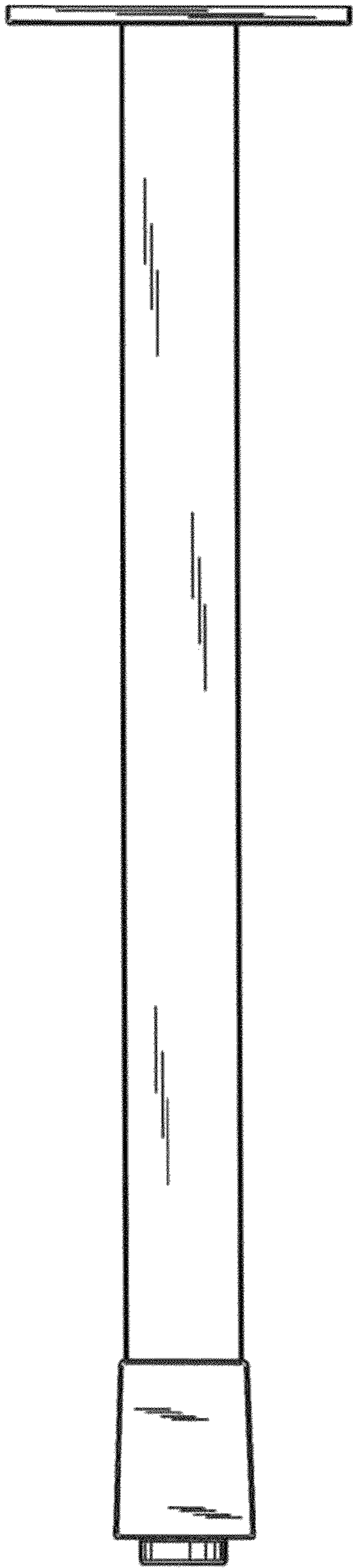
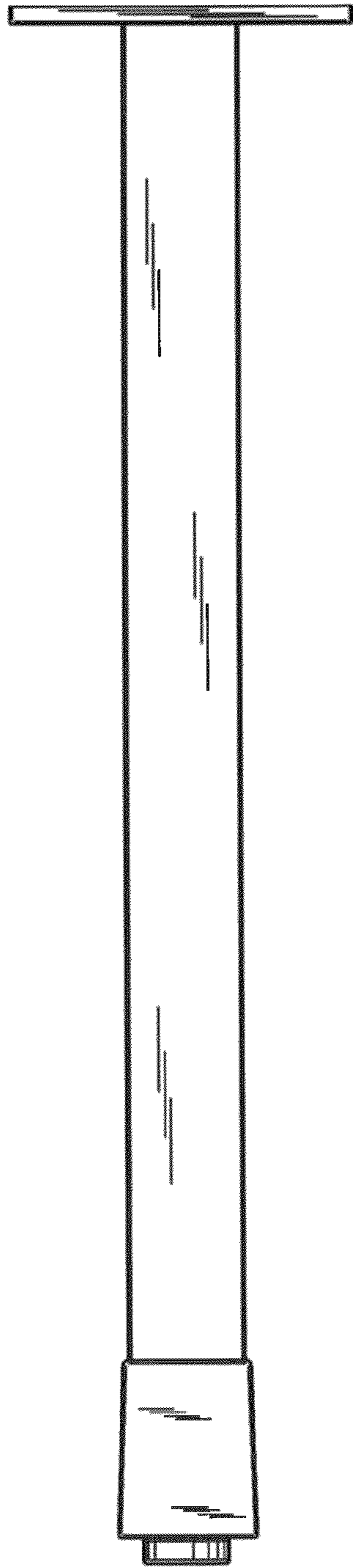


FIG. 4



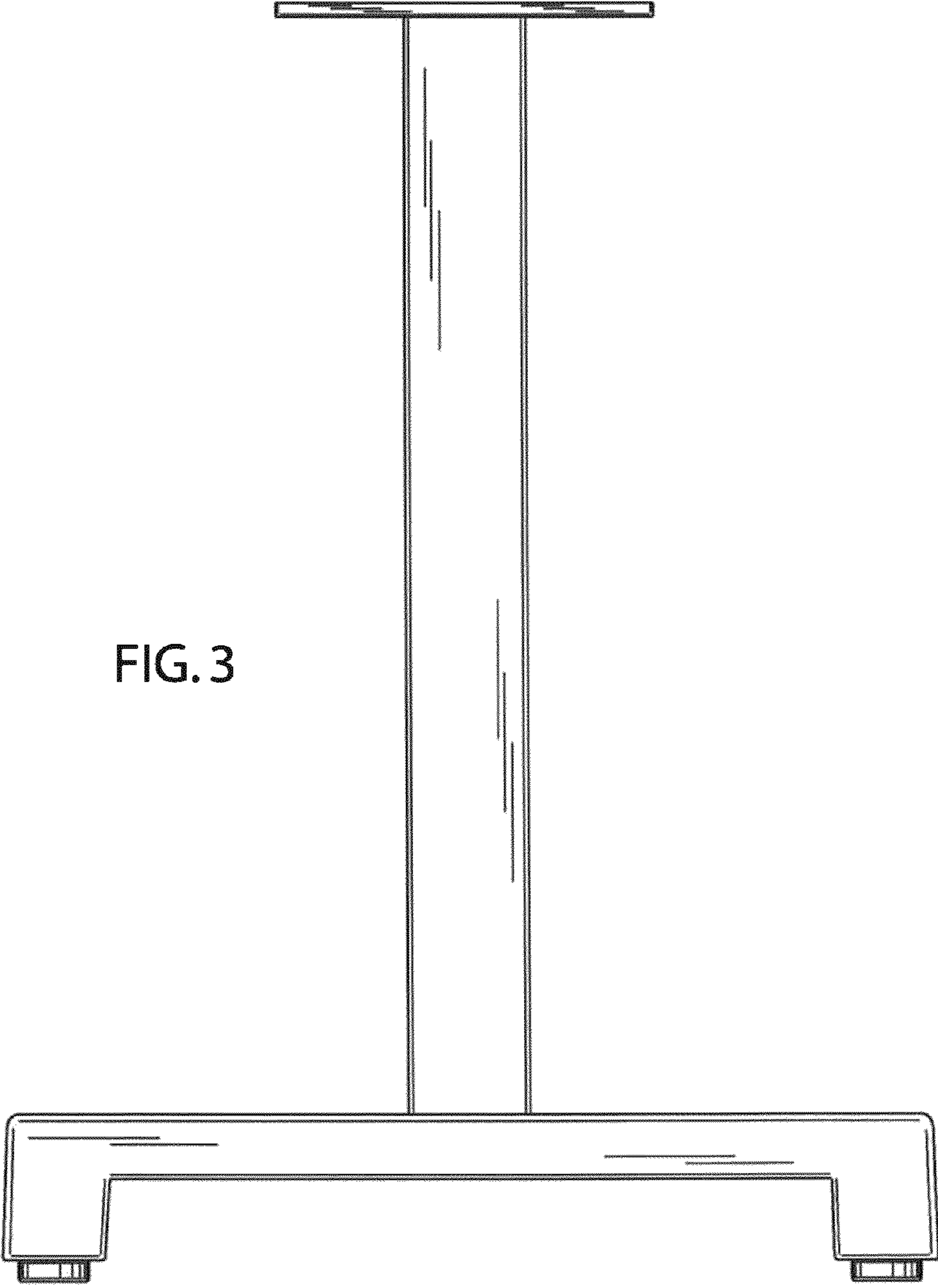


FIG. 3

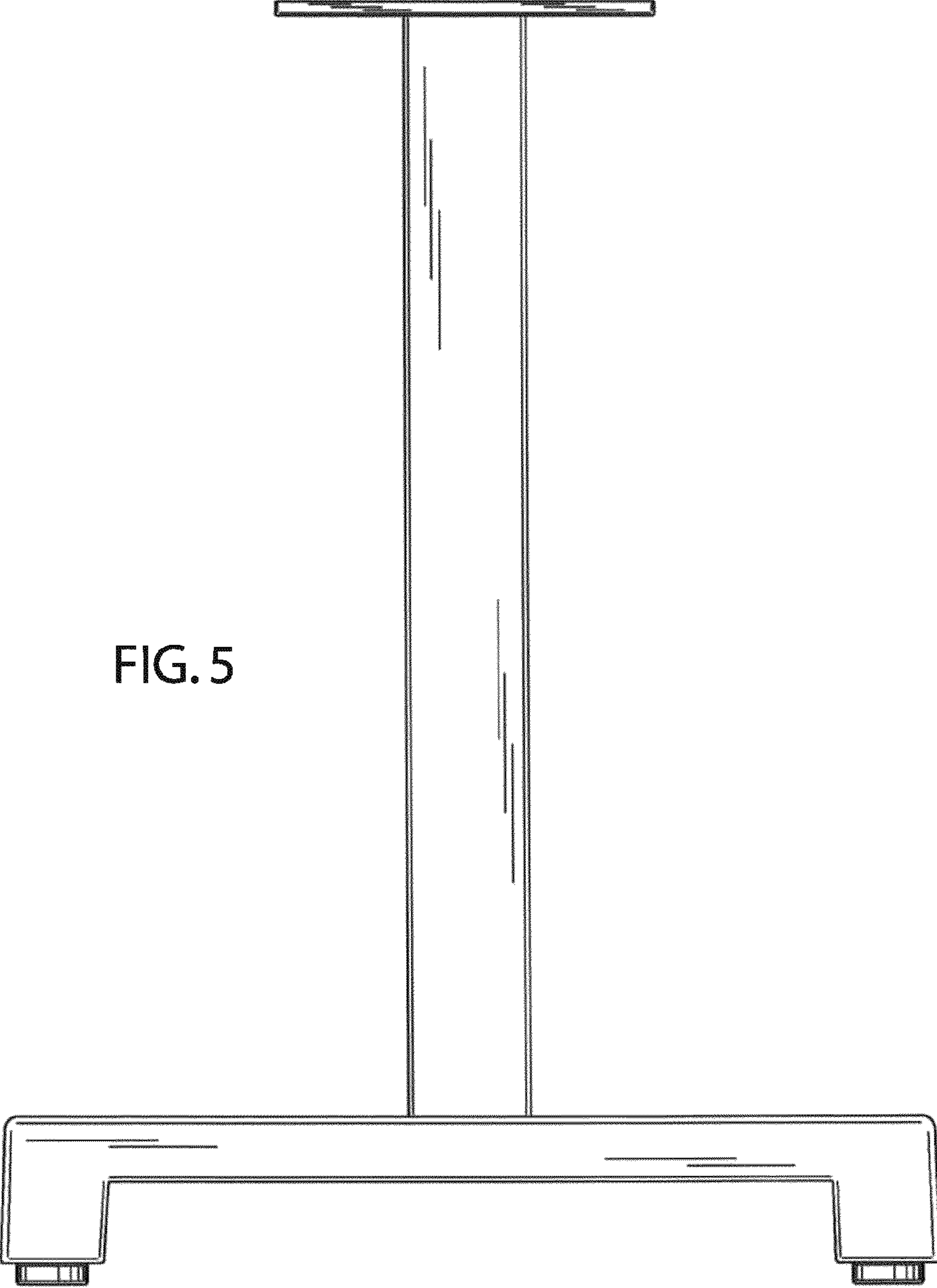


FIG. 5

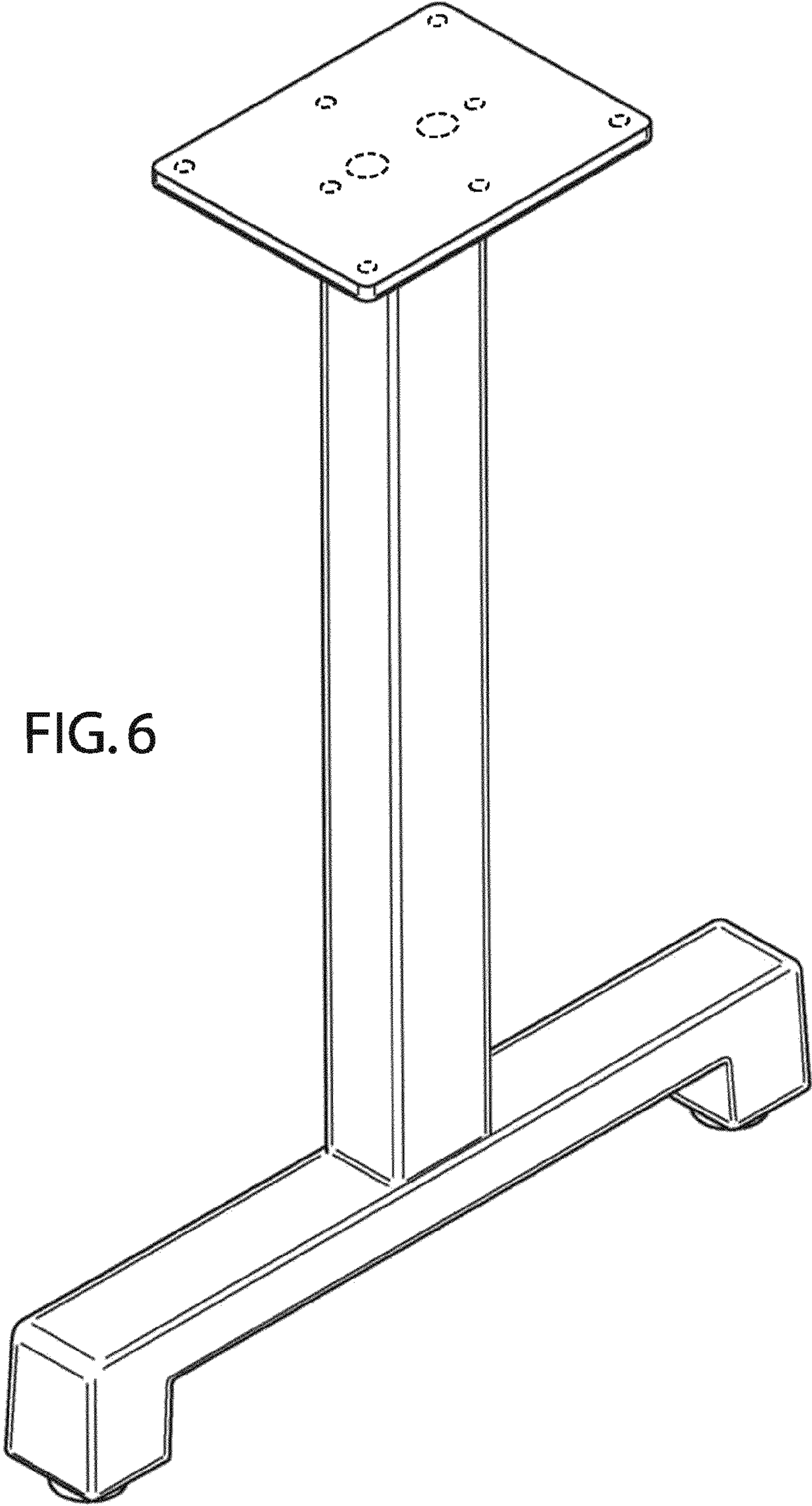


FIG. 6

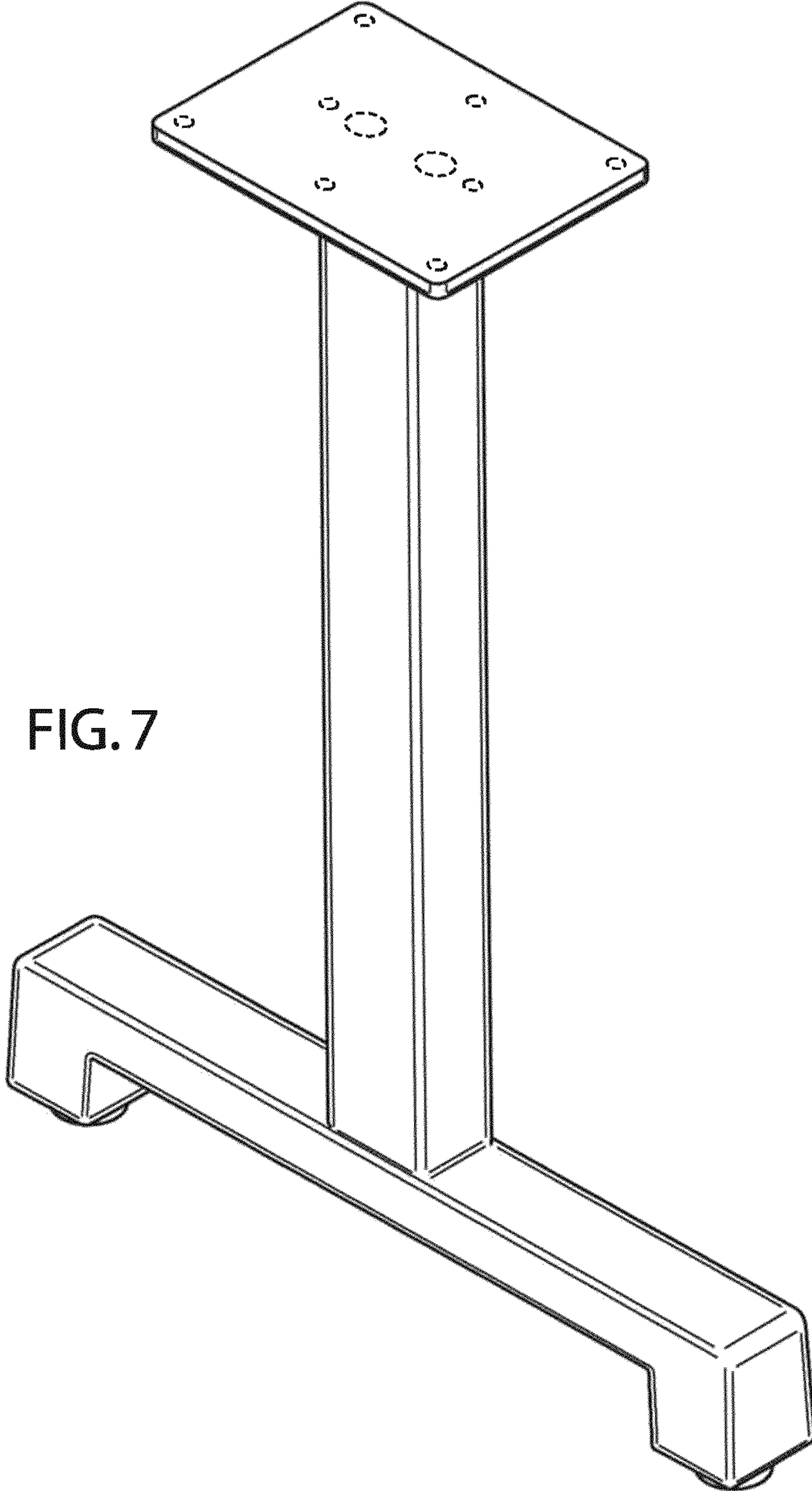


FIG. 7