



US00D691405S

(12) **United States Design Patent**  
**Pearsons**

(10) **Patent No.:** **US D691,405 S**

(45) **Date of Patent:** **\*\* Oct. 15, 2013**

(54) **TABLE LEG**

(75) **Inventor:** **Errol Pearsons**, Grand Haven, MI (US)

(73) **Assignee:** **Gibraltar, Inc.**, Zeeland, MI (US)

(\*\*) **Term:** **14 Years**

(21) **Appl. No.:** **29/416,115**

(22) **Filed:** **Mar. 19, 2012**

(51) **LOC (9) Cl.** ..... **06-06**

(52) **U.S. Cl.**  
USPC ..... **D6/708.23; D6/709**

(58) **Field of Classification Search**  
USPC ..... D6/480-489, 495, 496, 499, 498, 681.1,  
D6/709.21, 708.23, 366; 108/150, 153.1,  
108/155, 157, 161; 248/188, 188.8, 188.7  
See application file for complete search history.

(56) **References Cited**

**U.S. PATENT DOCUMENTS**

3,186,561	A *	6/1965	Strassle	.....	211/182
3,297,374	A *	1/1967	Radek	.....	312/108
D240,679	S *	7/1976	Bernard	.....	D6/366
D272,954	S *	3/1984	Sparks	.....	D34/21
D274,586	S *	7/1984	Cope et al.	.....	D6/420
D380,915	S *	7/1997	Dadabay	.....	D6/480
D400,361	S *	11/1998	Sobrito	.....	D6/332
D448,201	S *	9/2001	Walter	.....	D6/411

6,386,491	B1 *	5/2002	Bissett	.....	248/121
D501,741	S *	2/2005	Risdall	.....	D6/480
D537,266	S *	2/2007	Ward	.....	D6/411
D668,894	S *	10/2012	Denby et al.	.....	D6/495

**OTHER PUBLICATIONS**

<http://izzyplus.com/izzy/products/furniture/rylee.aspx?page=2>, pp. 1-4.

\* cited by examiner

*Primary Examiner* — Janice Seeger

(74) *Attorney, Agent, or Firm* — Timothy Engling; Miller Canfield Paddock & Stone P.L.C.

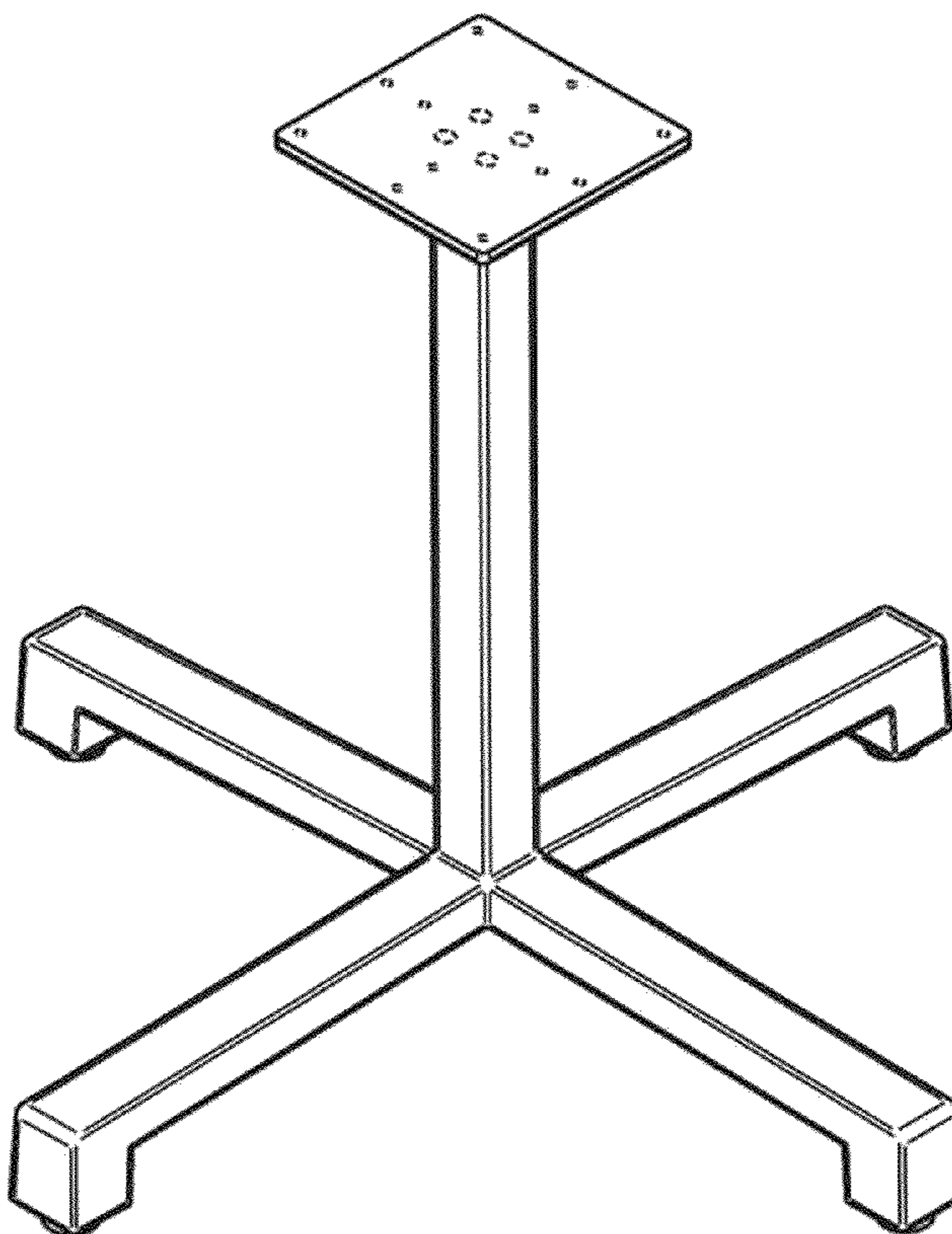
(57) **CLAIM**

The ornamental design for a table leg, as shown and described.

**DESCRIPTION**

FIG. 1 is a perspective view of a table leg;  
FIG. 2 is a top view of the table leg;  
FIG. 3 is a side view of the table leg;  
FIG. 4 is a side view of the table leg;  
FIG. 5 is a side view of the table leg; and,  
FIG. 6 is a side view of the table leg.  
The broken lines are for environmental purposes only and form no part of the claimed design.  
The bottom view not shown forms no part of the claimed design.

**1 Claim, 6 Drawing Sheets**



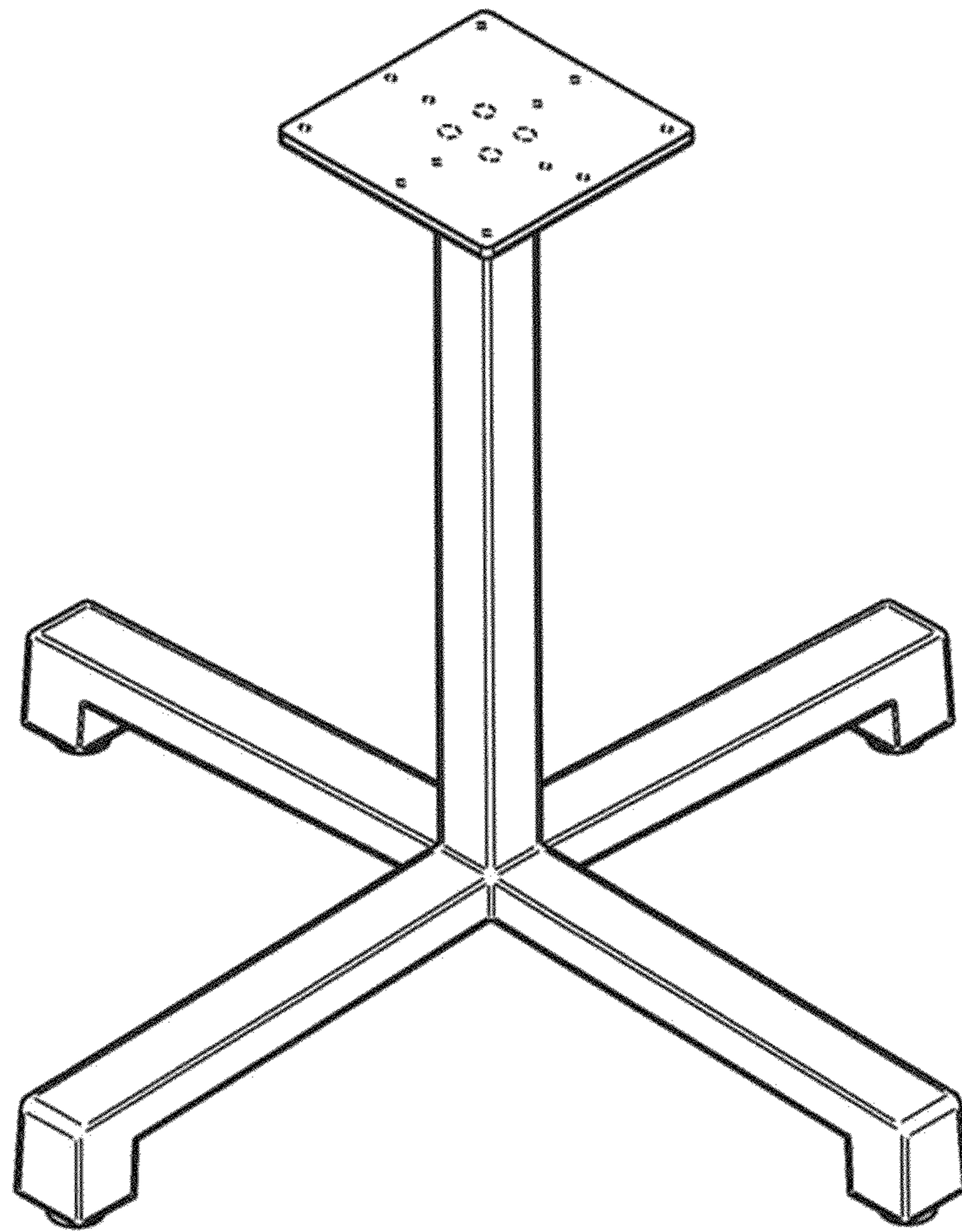


FIG. 1

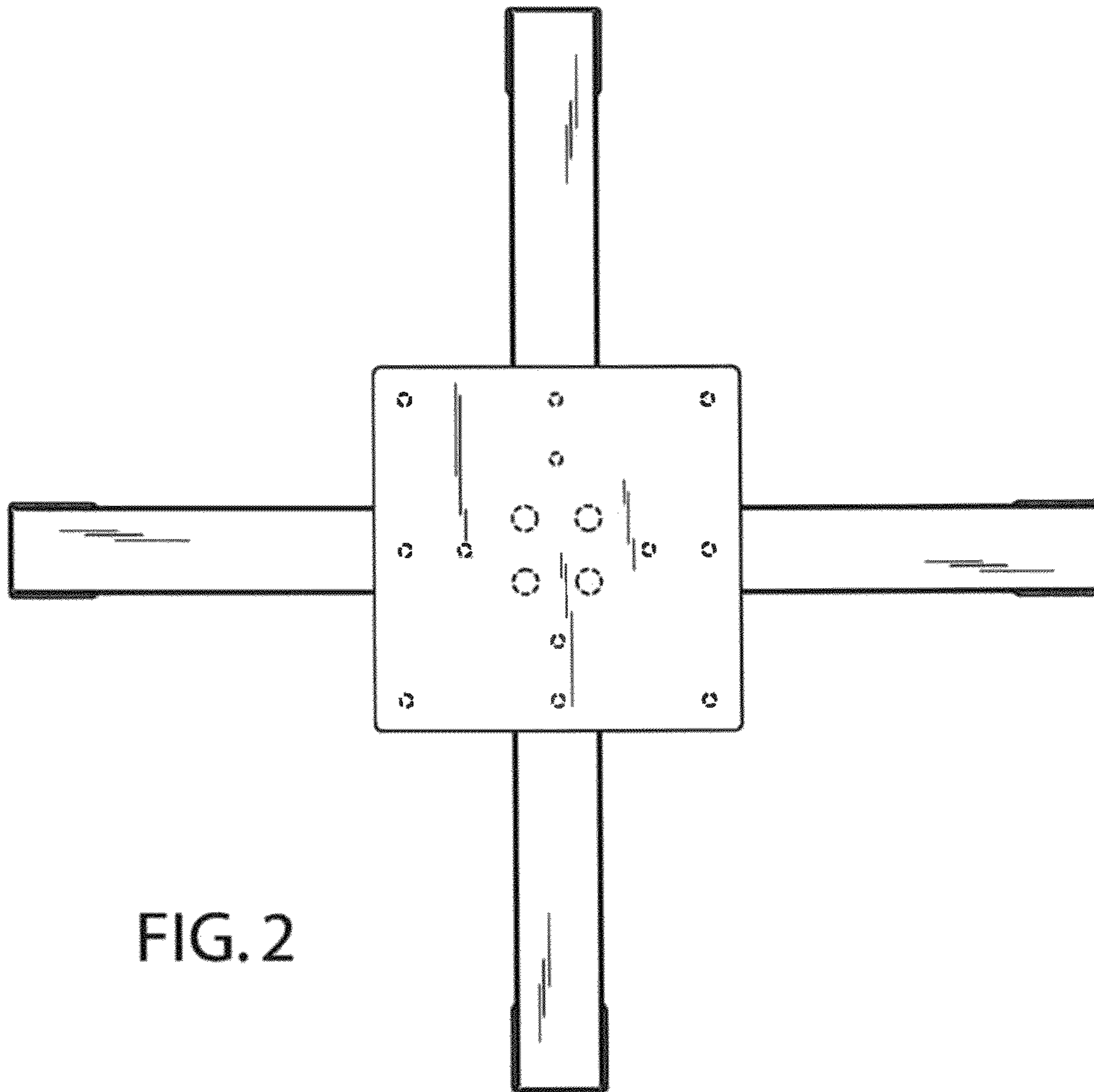
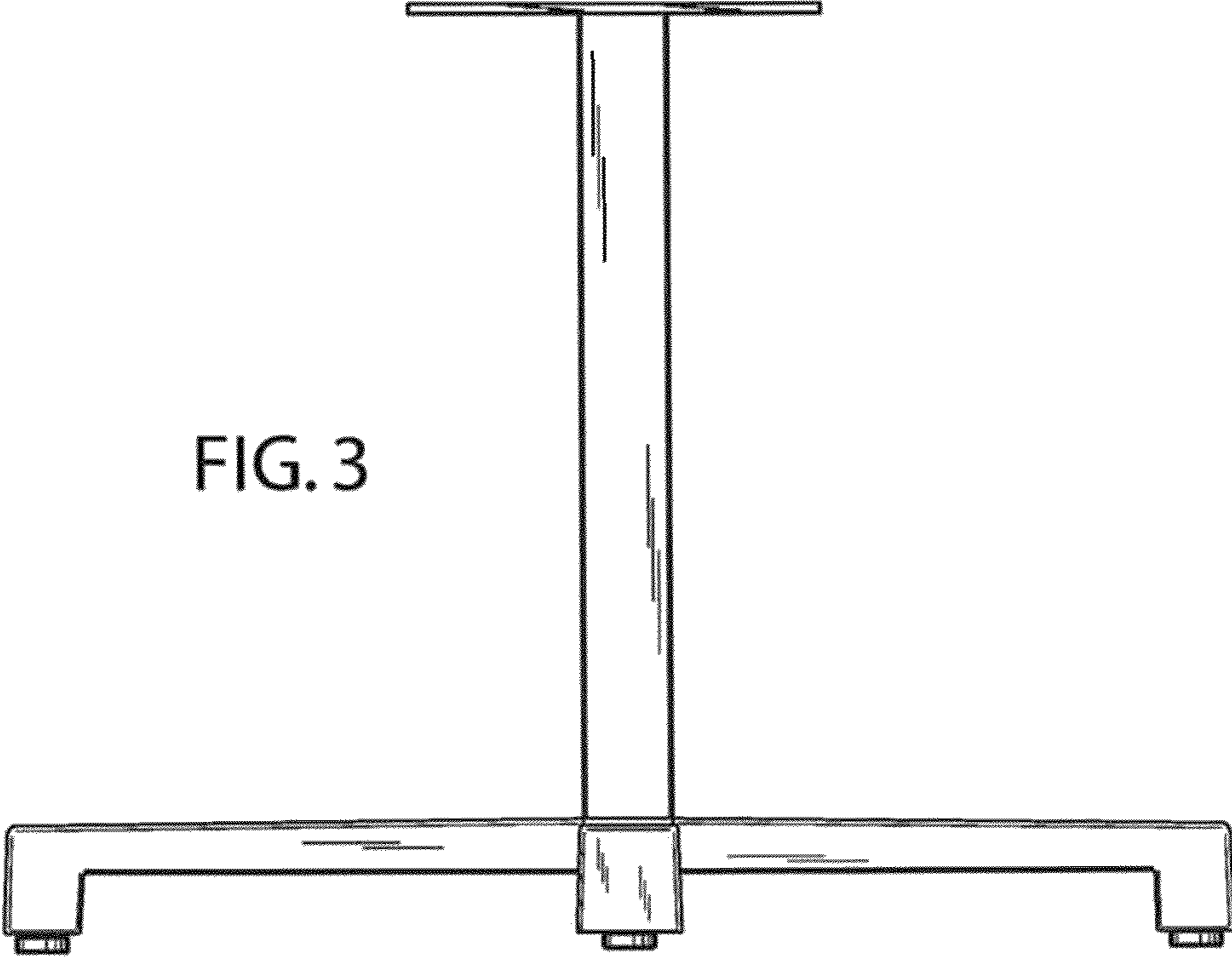


FIG. 2

FIG. 3



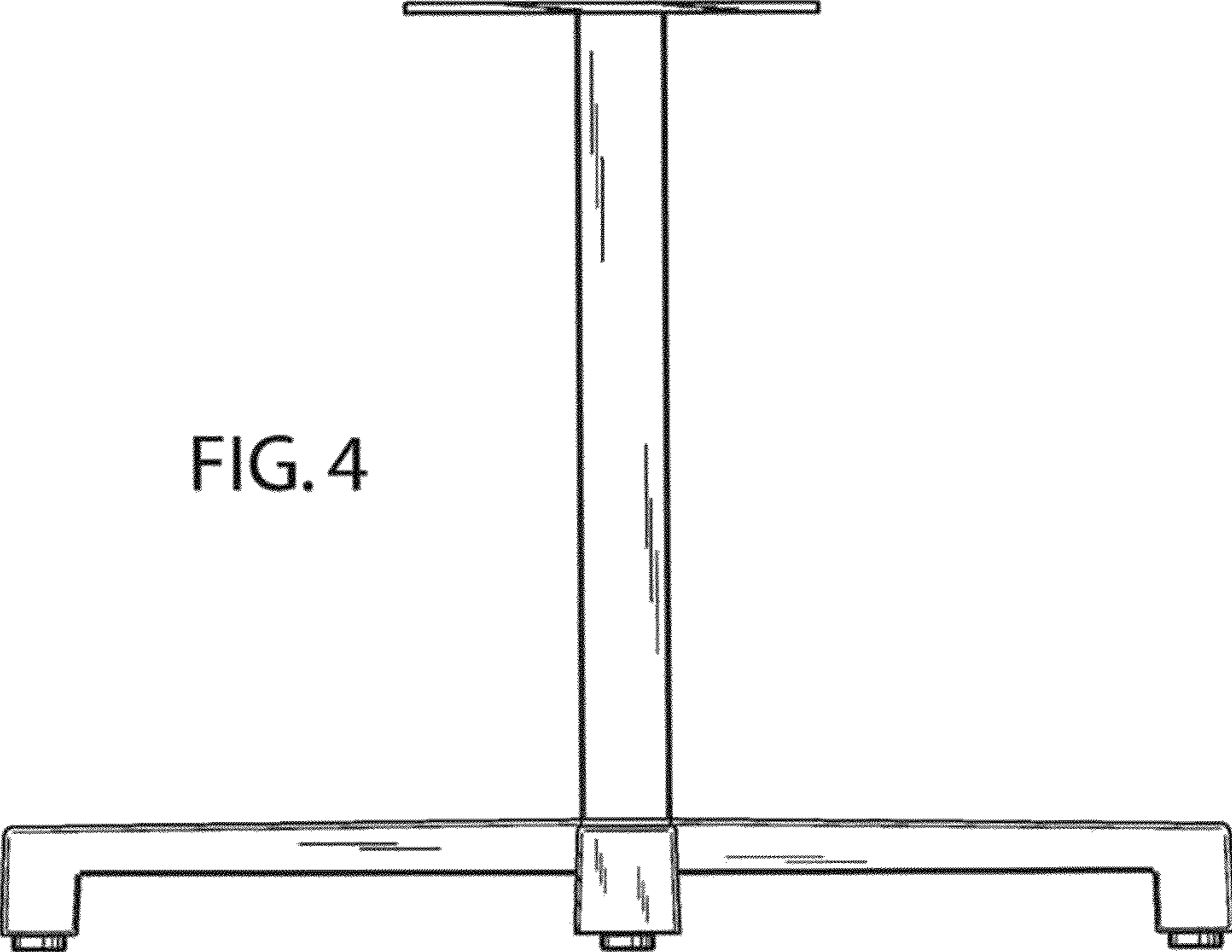
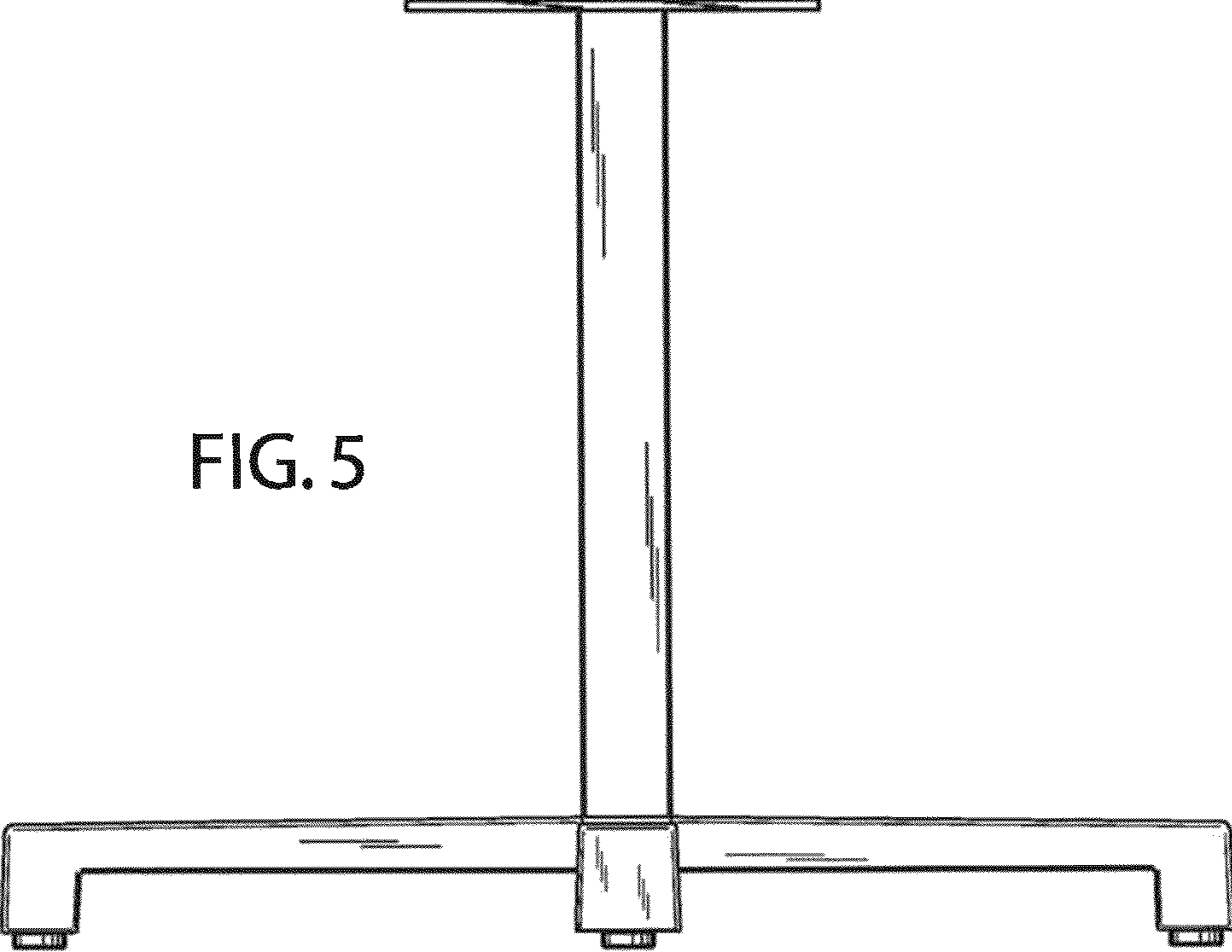


FIG. 4

FIG. 5



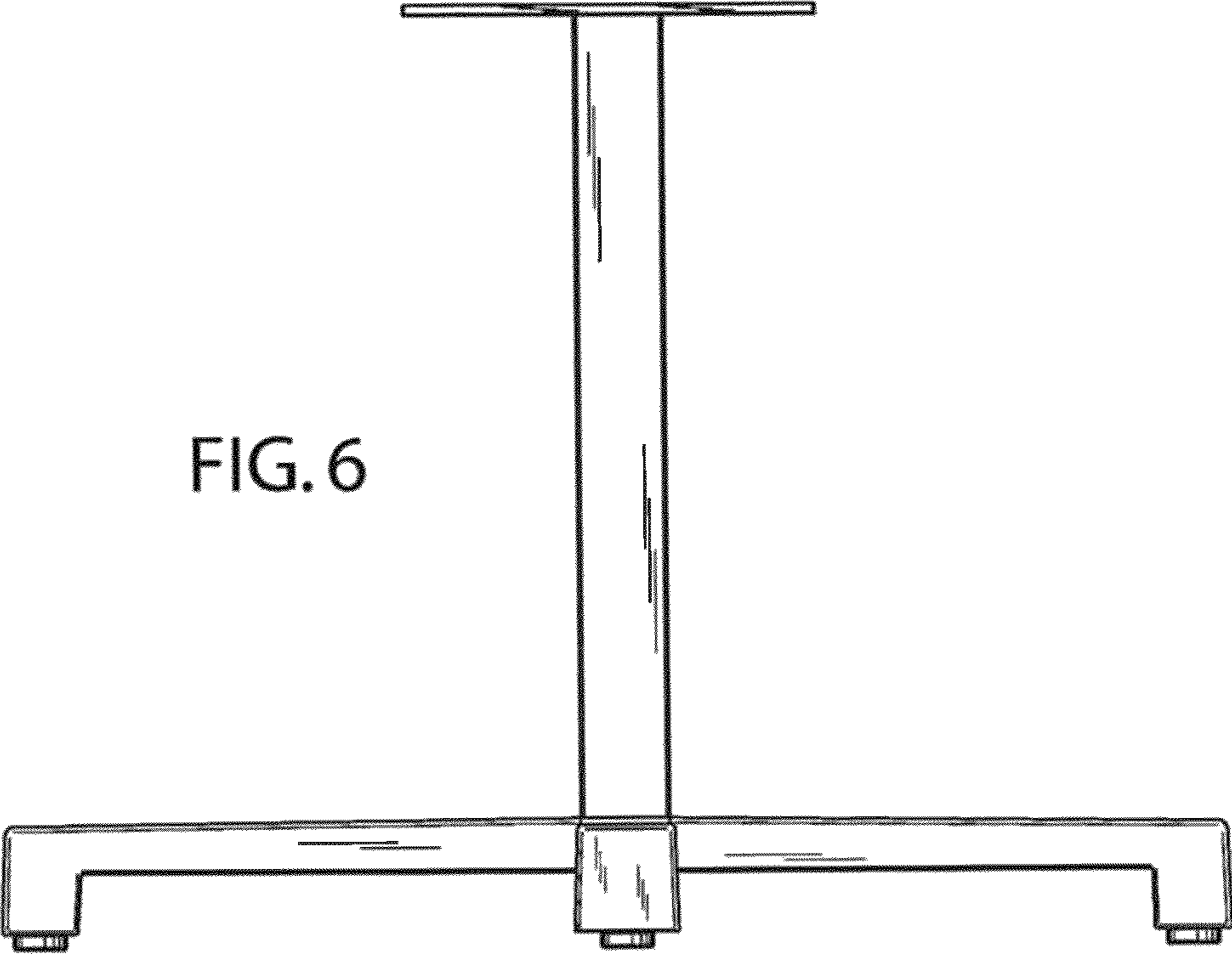


FIG. 6