



US00D691403S

(12) **United States Design Patent**  
**Hankamp et al.**

(10) **Patent No.:** **US D691,403 S**  
(45) **Date of Patent:** **\*\* Oct. 15, 2013**

(54) **CARPET DISPLAY**

(71) Applicant: **Harbor Industries, Inc.**, Grand Haven, MI (US)

(72) Inventors: **Gregory A. Hankamp**, Holland, MI (US); **John A. Van Veelen**, Muskegon, MI (US)

(73) Assignee: **Harbor Industries, Inc.**, Grand Haven, MI (US)

(\*\*) Term: **14 Years**

(21) Appl. No.: **29/452,121**

(22) Filed: **Apr. 12, 2013**

(51) **LOC (9) Cl.** ..... **06-06**

(52) **U.S. Cl.**  
USPC ..... **D6/682.3**

(58) **Field of Classification Search**  
USPC ..... D6/320, 323, 325, 396–397, 409–411, D6/449, 466, 509, 579–580, 672, D6/682–682.3; D25/44, 136, 164; D8/376–377; 160/19, 38–39; 248/214–215, 265, 309.1–309.2  
See application file for complete search history.

(56) **References Cited**

**U.S. PATENT DOCUMENTS**

D150,466	S	*	8/1948	Schuler	.....	D20/44
2,489,089	A	*	11/1949	Graff et al.	.....	40/650
2,935,804	A	*	5/1960	Duckro	.....	40/650
3,330,080	A	*	7/1967	Grieb et al.	.....	52/86
3,846,925	A	*	11/1974	Busse	.....	40/650
4,485,575	A	*	12/1984	Fast	.....	40/649
D368,851	S	*	4/1996	Cole et al.	.....	D8/376
D424,120	S	*	5/2000	Wear	.....	D20/43
D425,566	S	*	5/2000	Mueller et al.	.....	D20/43

D455,336	S	*	4/2002	Anderson	.....	D8/377
6,519,885	B2	*	2/2003	Valiulis	.....	40/661.03
D476,695	S	*	7/2003	Cobb et al.	.....	D20/43
D482,552	S	*	11/2003	Campbell et al.	.....	D6/509
D484,544	S	*	12/2003	Healy	.....	D20/43
D485,313	S	*	1/2004	Healy	.....	D20/43
6,862,825	B1	*	3/2005	Lowndes	.....	40/603
D509,906	S	*	9/2005	Enersen	.....	D25/38.1
D513,280	S	*	12/2005	Kosir	.....	D20/44

(Continued)

*Primary Examiner* — Kelley Donnelly

(74) *Attorney, Agent, or Firm* — Gardner, Linn, Burkhardt & Flory, LLP

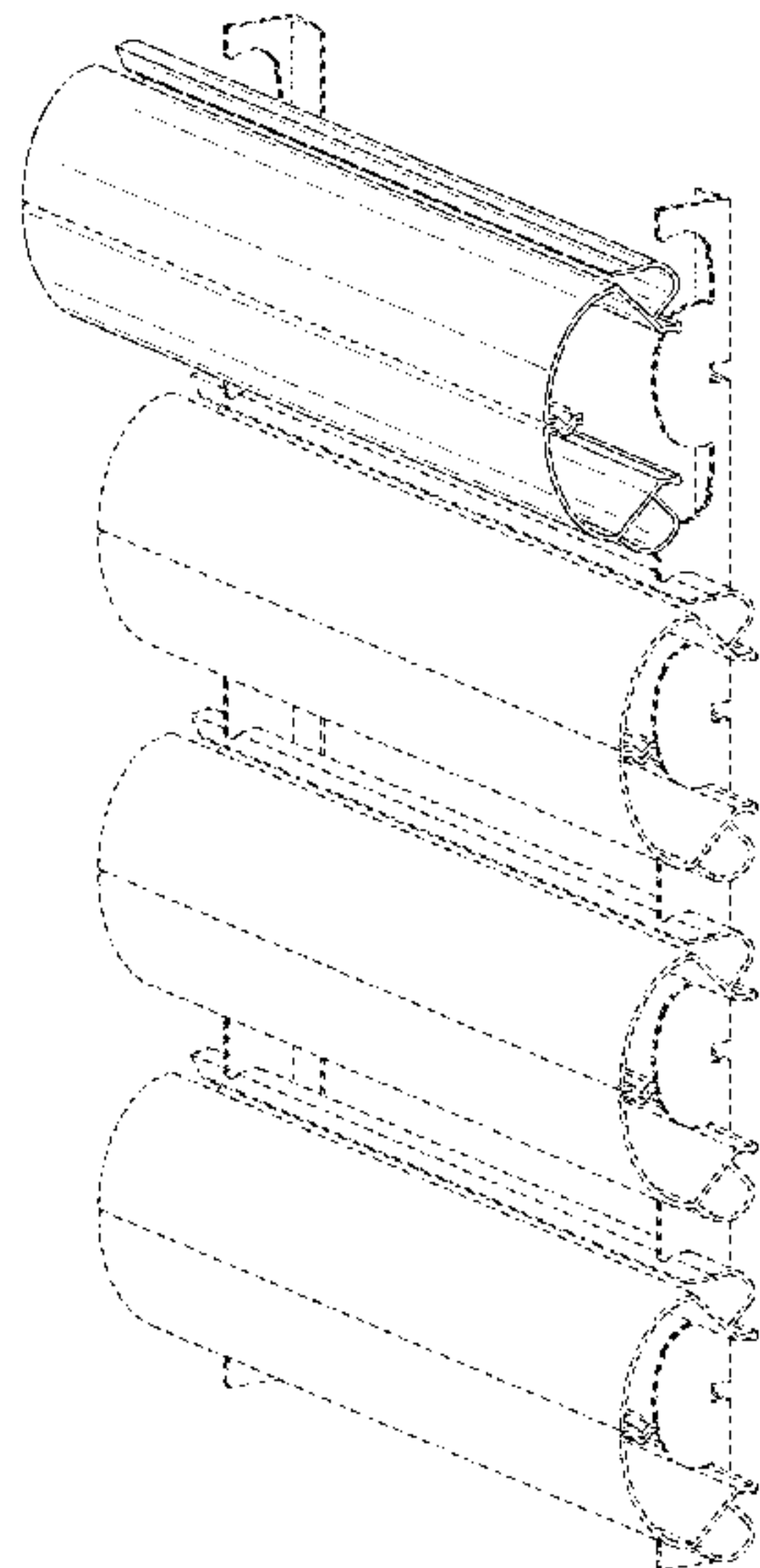
(57) **CLAIM**

The ornamental design for the carpet display, as shown and described.

**DESCRIPTION**

FIG. 1 is a front perspective view of the carpet display of the present invention, shown mounted at a display assembly; FIG. 2 is a front perspective view of the carpet display of FIG. 1, shown mounted at a display frame of the display assembly; FIG. 3 is a left side elevation of the carpet display and display frame of FIG. 2; FIG. 4 is a front elevation of the carpet display of FIG. 1; FIG. 5 is rear elevation of the carpet display of FIG. 1; FIG. 6 is a right side elevation of the carpet display of FIG. 1; FIG. 7 is a left side elevation of the carpet display of FIG. 1; FIG. 8 is a top plan view of the carpet display of FIG. 1; FIG. 9 is a bottom plan view of the carpet display of FIG. 1; and, FIG. 10 is another perspective view of the carpet display, shown with a carpet sample mounted thereon. The broken lines are included for the purpose of illustrating portions of the carpet display that form no part of the claimed design.

**1 Claim, 7 Drawing Sheets**



(56)

**References Cited**

U.S. PATENT DOCUMENTS

D531,227 S \* 10/2006 Mueller et al. .... D20/44  
D551,775 S \* 9/2007 McGinness ..... D25/38.1  
D552,251 S \* 10/2007 McGinness ..... D25/38.1  
D552,687 S \* 10/2007 Smalley ..... D20/44  
D556,920 S \* 12/2007 McGinness ..... D25/135  
D613,420 S \* 4/2010 Matheisl et al. .... D25/38.1

D614,239 S \* 4/2010 Garfinkle et al. .... D20/44  
D614,240 S \* 4/2010 Garfinkle et al. .... D20/44  
D614,241 S \* 4/2010 Garfinkle et al. .... D20/44  
D643,746 S \* 8/2011 Yoe et al. .... D9/711  
D648,448 S \* 11/2011 Apgood et al. .... D25/138  
D649,267 S \* 11/2011 Apgood et al. .... D25/138  
8,177,311 B2 \* 5/2012 Apgood et al. .... 312/245  
2005/0126060 A1 \* 6/2005 Rawlings et al. .... 40/661.03

\* cited by examiner

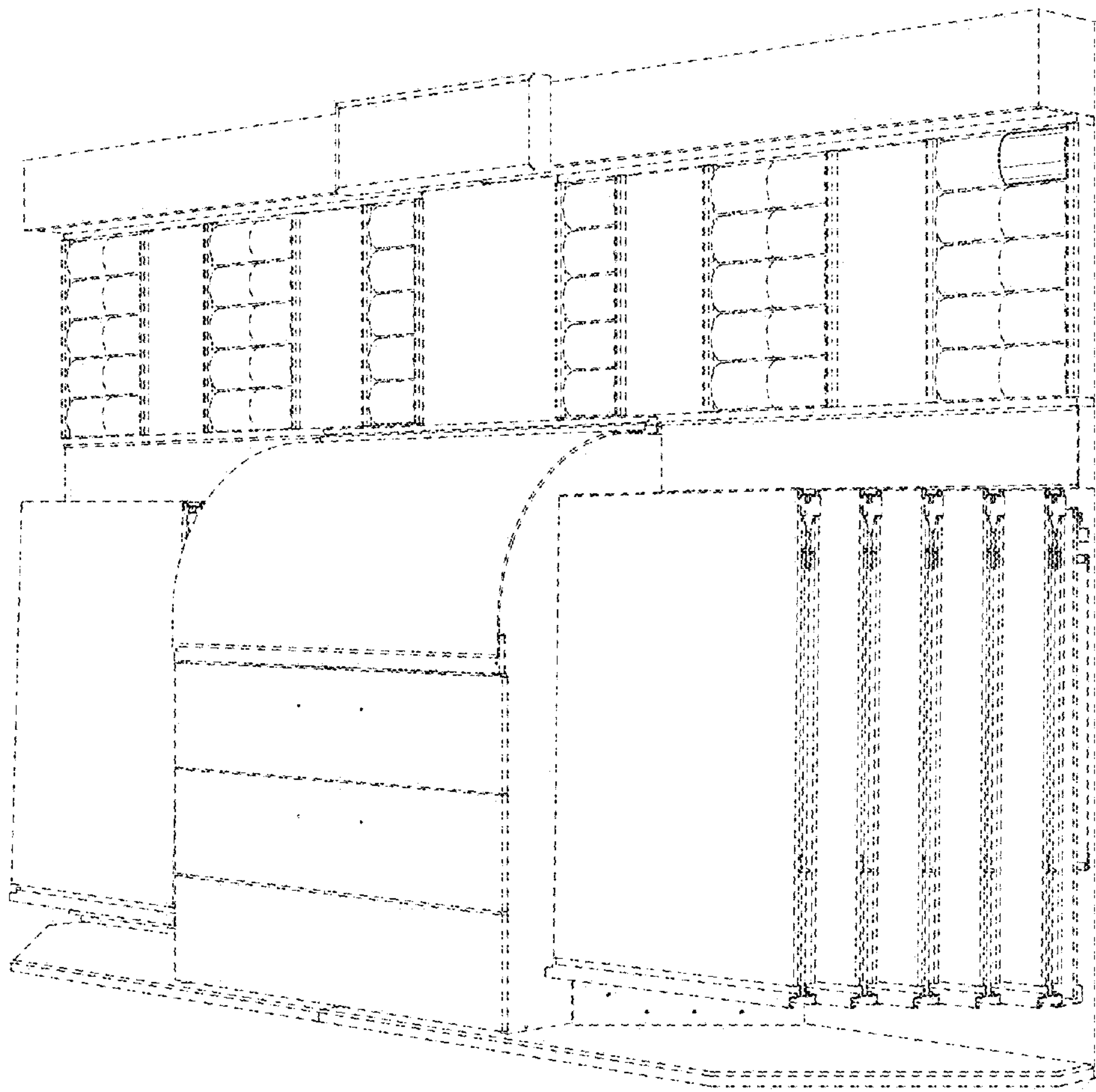


FIG. 1

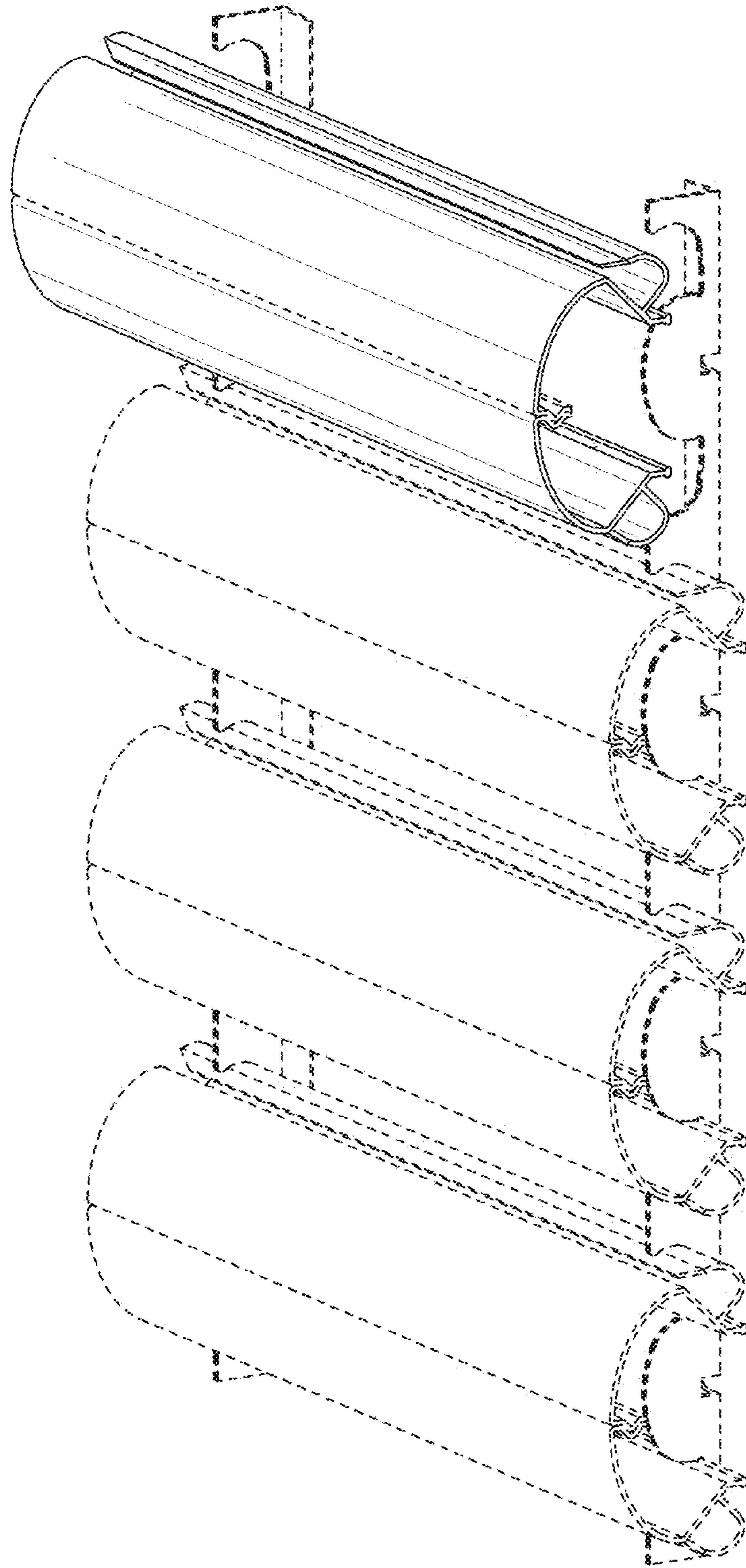


FIG. 2



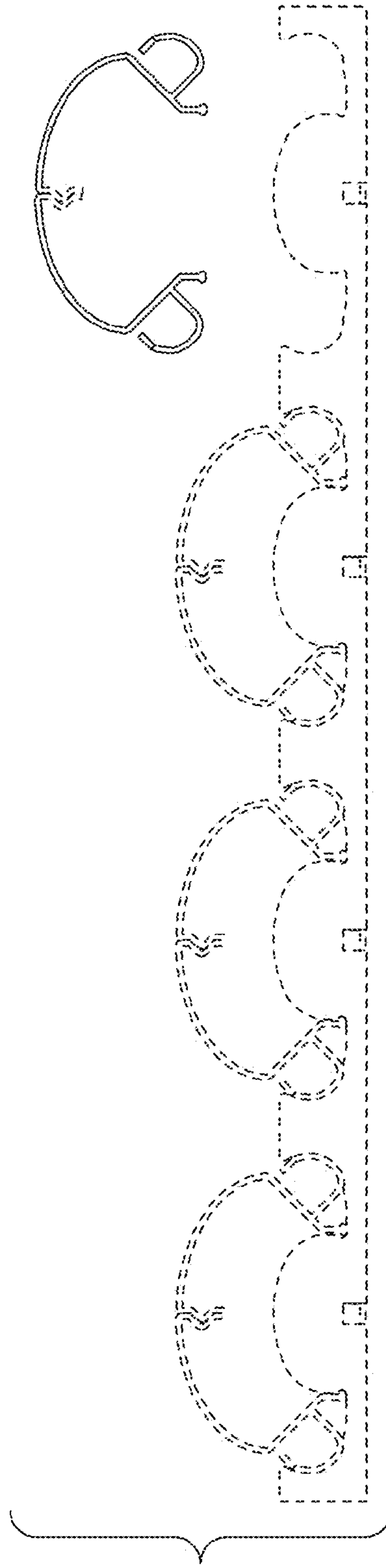


FIG. 3

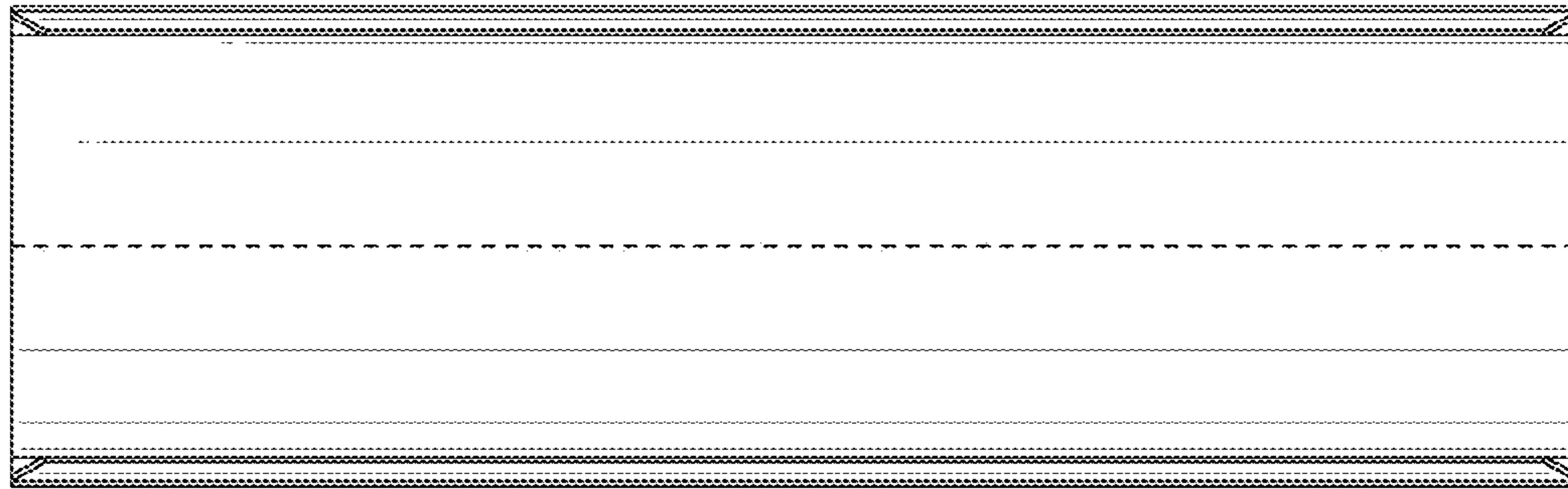


FIG. 4

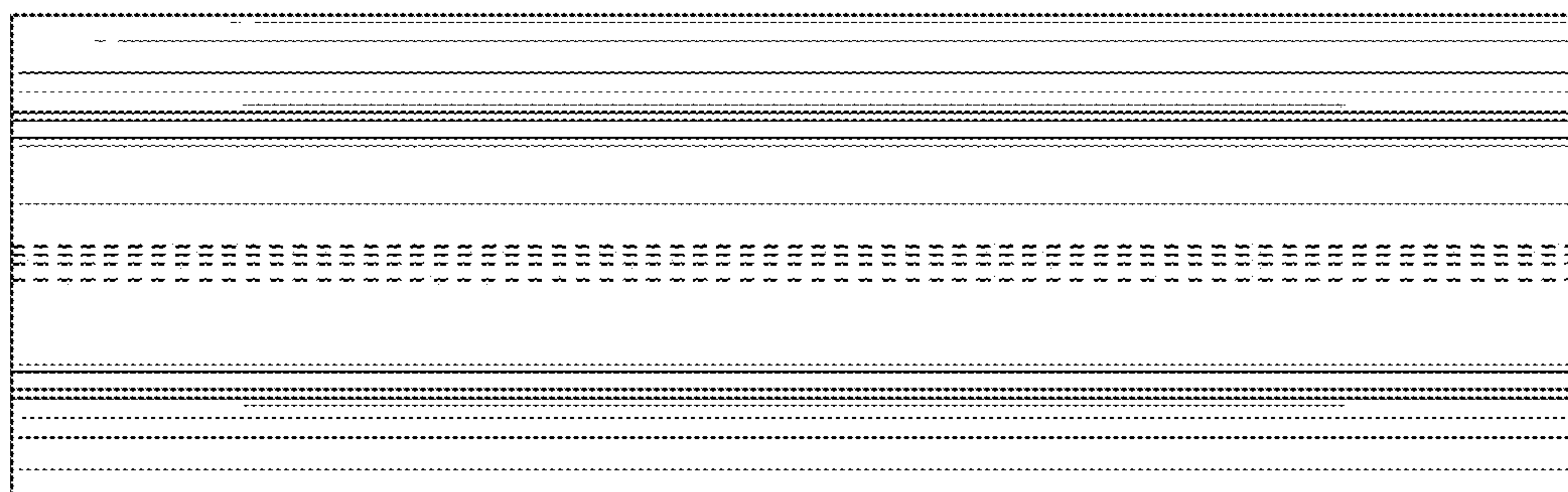


FIG. 5

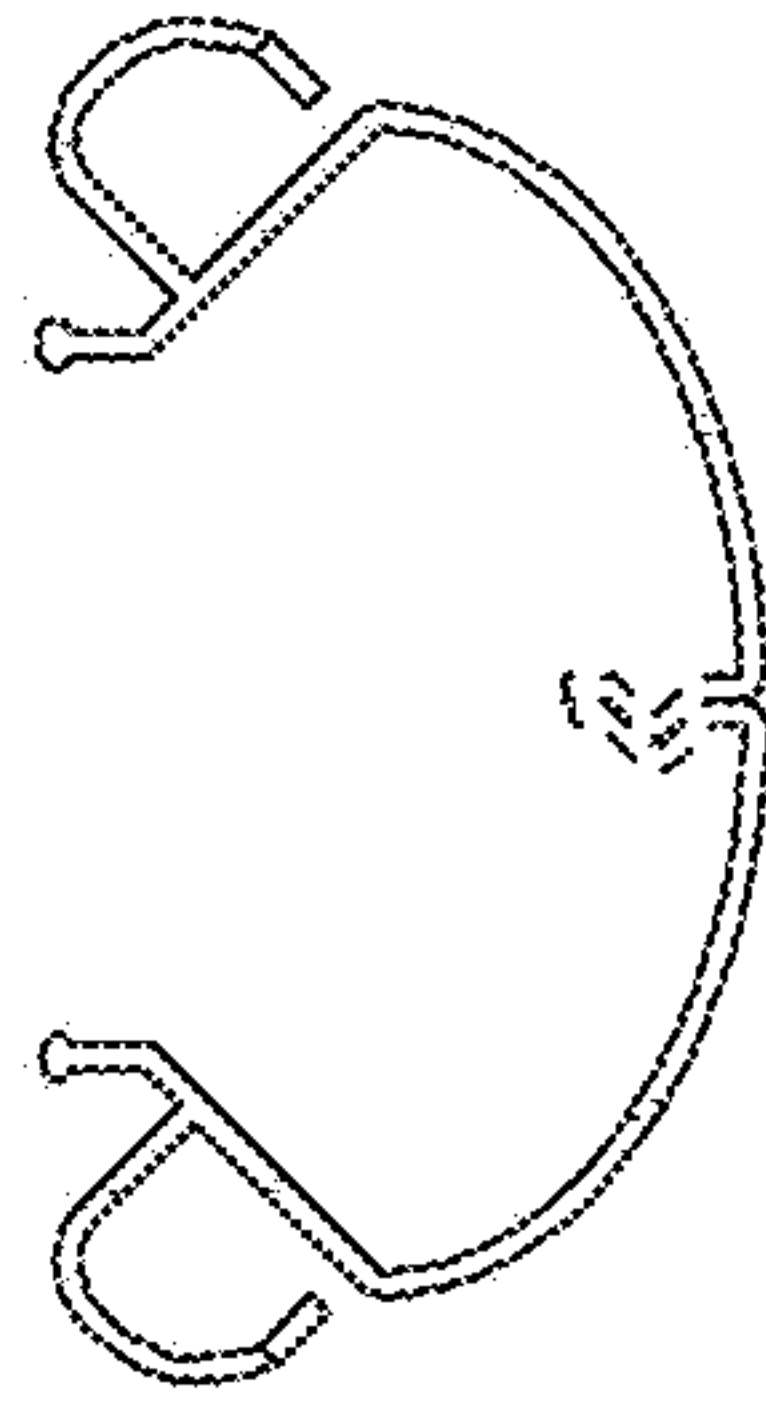


FIG. 6



FIG. 7

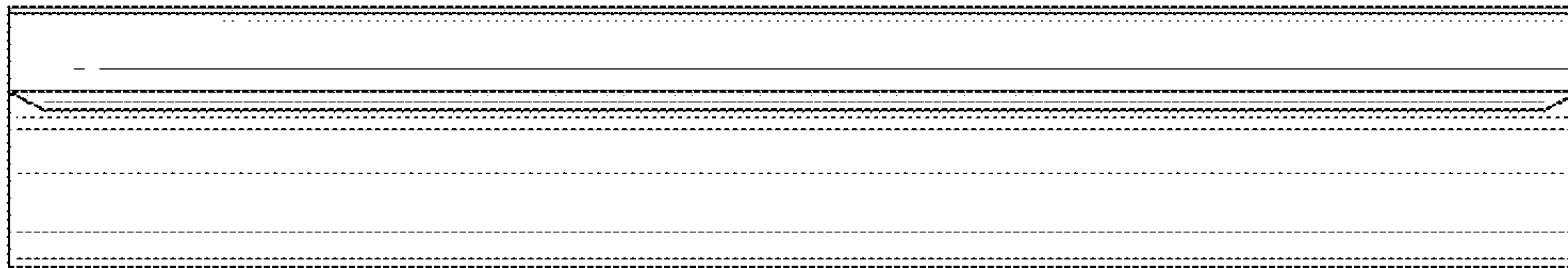


FIG. 8

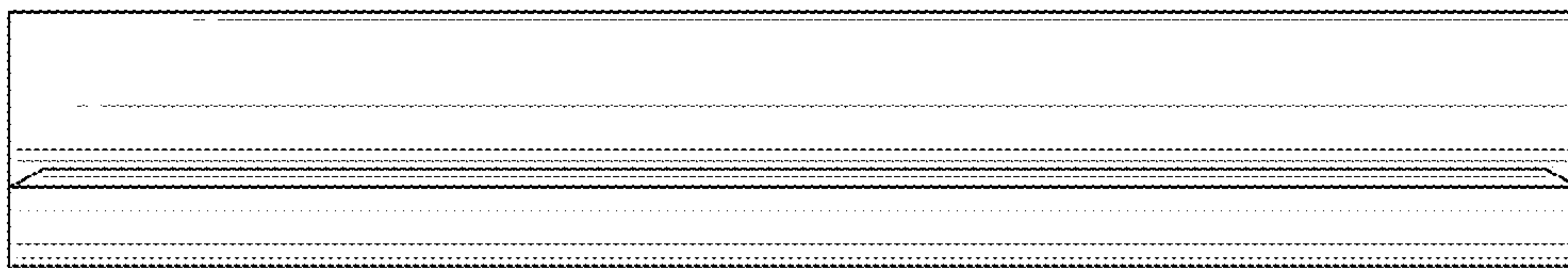


FIG. 9



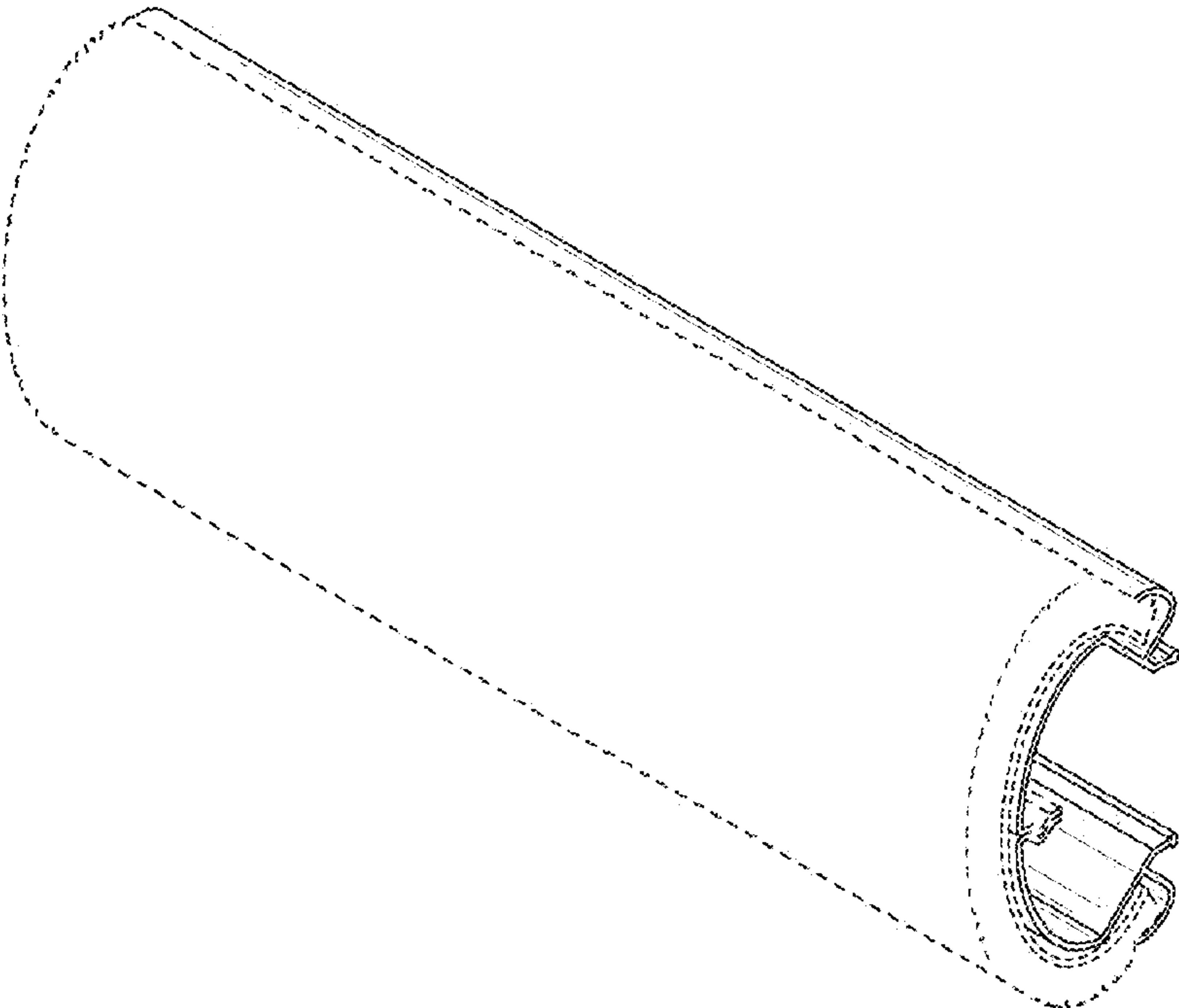


FIG. 10