



US00D691402S

(12) **United States Design Patent**
Parker

(10) **Patent No.:** **US D691,402 S**

(45) **Date of Patent:** **** Oct. 15, 2013**

(54) **STUDY CARREL**

(76) **Inventor:** **Lonnie Parker, Pittsburgh, PA (US)**

(**) **Term:** **14 Years**

(21) **Appl. No.:** **29/418,599**

(22) **Filed:** **Apr. 18, 2012**

(51) **LOC (9) Cl.** **06-99**

(52) **U.S. Cl.**
USPC **D6/643.1; D6/332**

(58) **Field of Classification Search**
USPC D6/643, 643.1, 332; D25/58; 52/36.1,
52/36.4, 238.1, 239; 160/135, 351
See application file for complete search history.

(56) **References Cited**

U.S. PATENT DOCUMENTS

3,017,969 A * 1/1962 Nielsen 52/239
3,463,218 A * 8/1969 Byrens et al. 160/135

D402,484 S * 12/1998 Sandy D6/421
D491,743 S * 6/2004 Bosman D6/421
2003/0163958 A1 * 9/2003 Zeh et al. 52/36.5

* cited by examiner

Primary Examiner — Janice Seeger

(74) *Attorney, Agent, or Firm* — Ference & Associates LLC

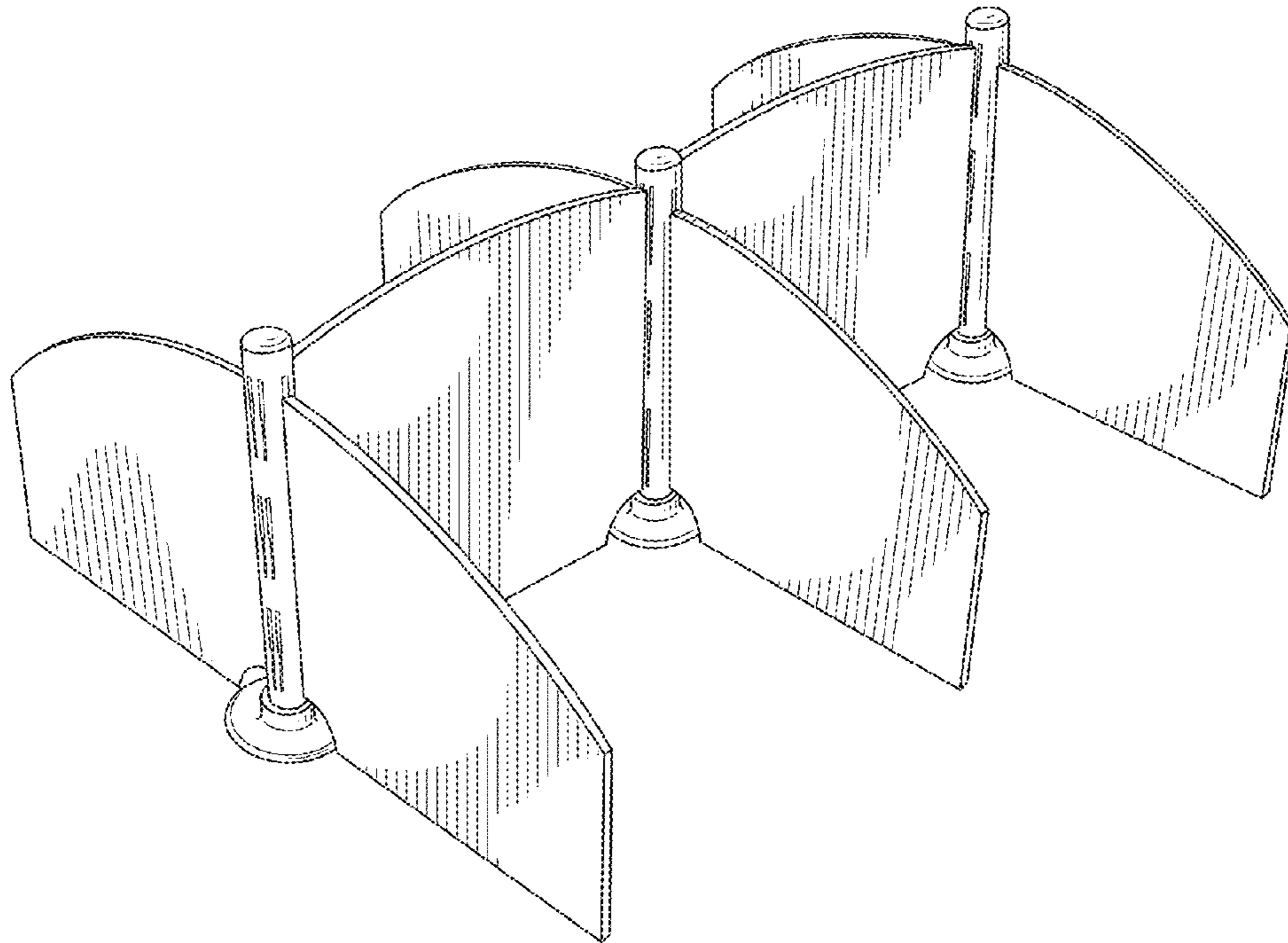
(57) **CLAIM**

The ornamental design for a study carrel, as shown and described.

DESCRIPTION

FIG. 1 is a perspective view of a study carrel, showing my new design; the opposite side being identical thereto; and, FIG. 2 is an exploded perspective view showing a portion of the study carrel for clarity of disclosure.

1 Claim, 2 Drawing Sheets



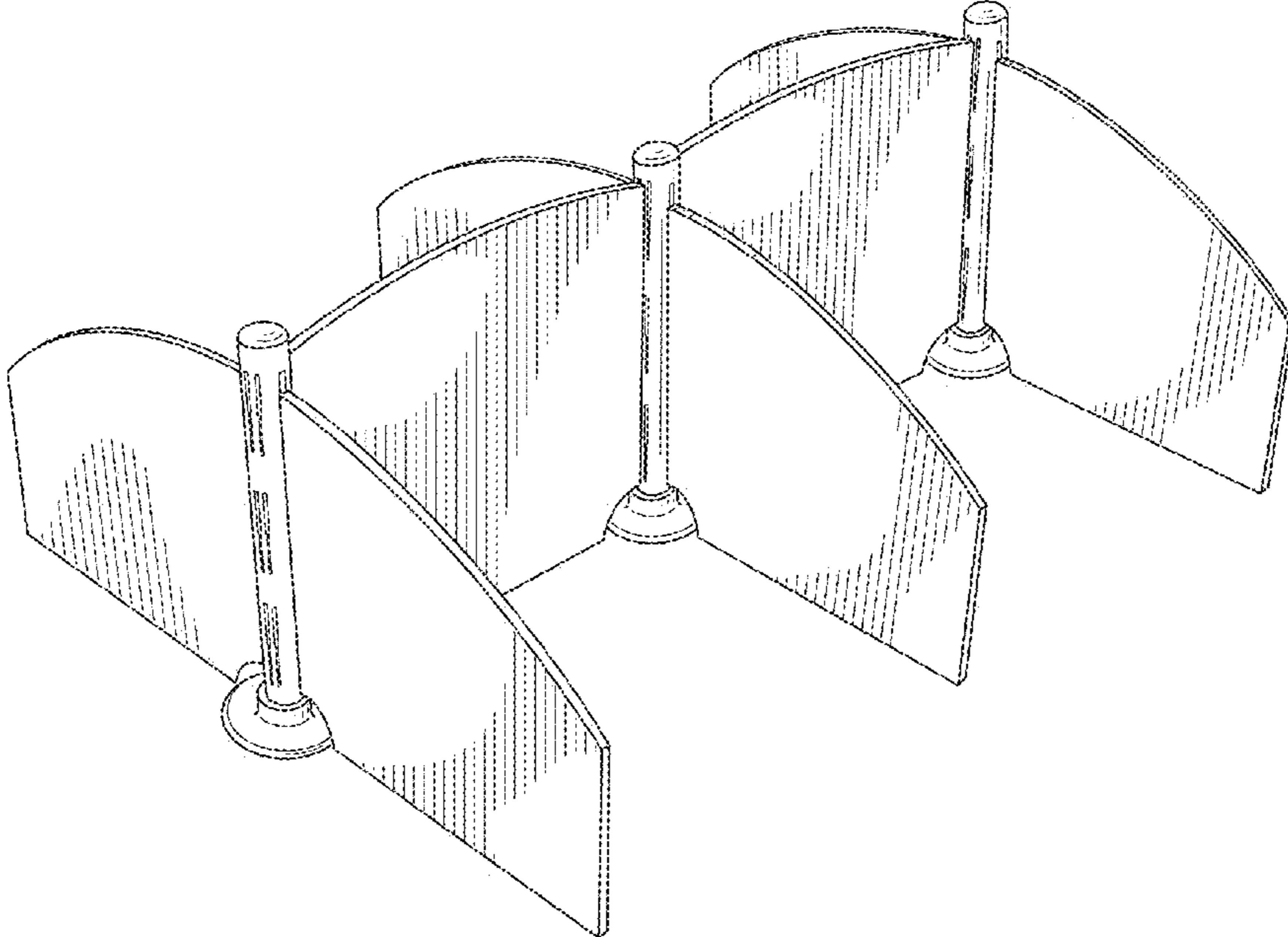


FIG. 1

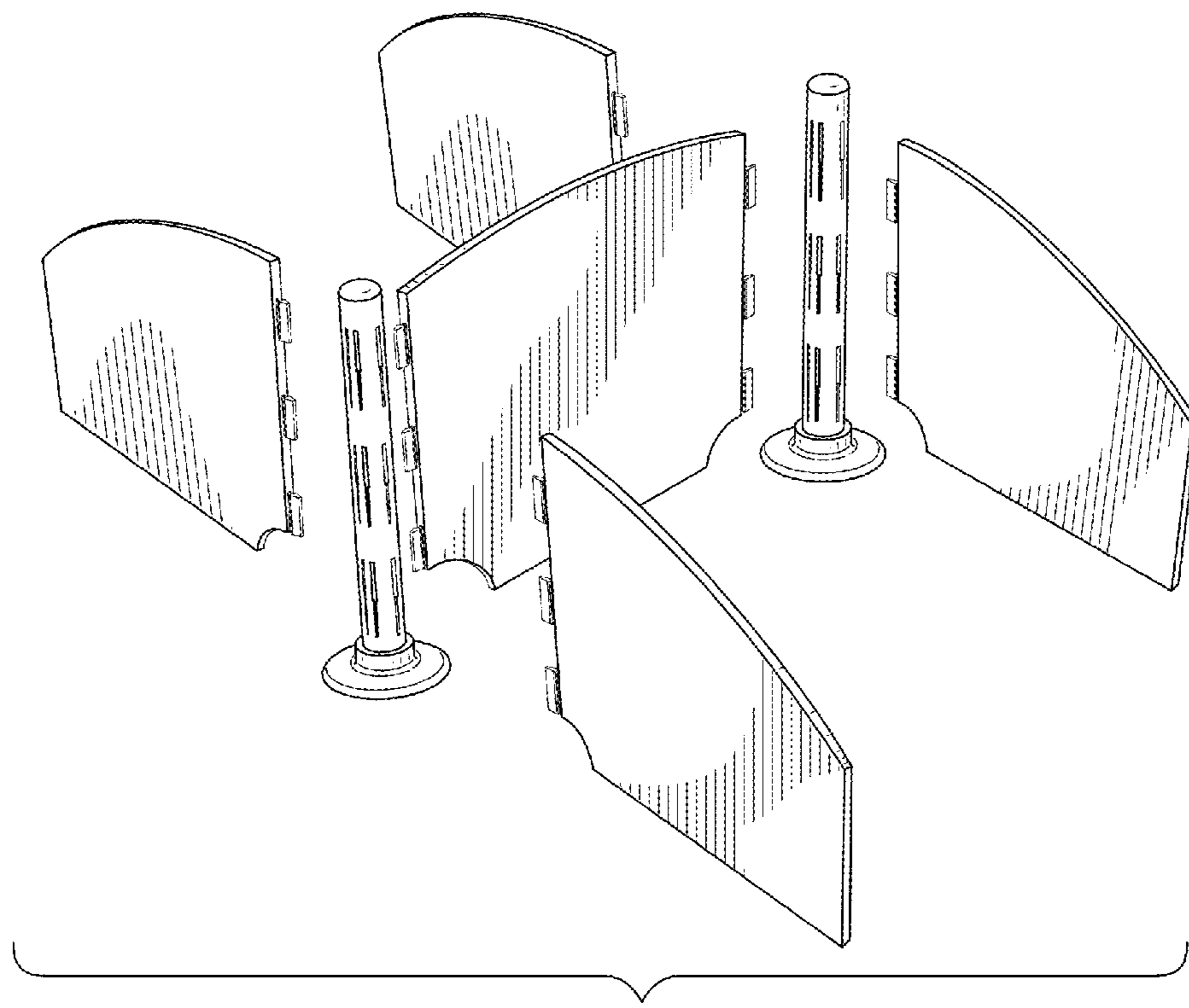


FIG. 2