

US00D691401S

(12) **United States Design Patent**  
**Sobran**

(10) **Patent No.:** **US D691,401 S**  
(45) **Date of Patent:** **\*\* Oct. 15, 2013**

(54) **MATTRESS BED CUSHION**

(71) Applicant: **Ivan Sobran**, Raleigh, NC (US)

(72) Inventor: **Ivan Sobran**, Raleigh, NC (US)

(73) Assignee: **Noel Group, LLC**, Zebulon, NC (US)

(\*\*) Term: **14 Years**

(21) Appl. No.: **29/436,783**

(22) Filed: **Nov. 9, 2012**

**Related U.S. Application Data**

(62) Division of application No. 13/630,435, filed on Sep. 28, 2012, which is a division of application No. 13/458,239, filed on Apr. 27, 2012, which is a division of application No. 12/716,804, filed on Mar. 3, 2010, now Pat. No. 8,356,373.

(51) **LOC (9) Cl.** ..... **06-09**

(52) **U.S. Cl.**  
USPC ..... **D6/606; D6/601**

(58) **Field of Classification Search**  
USPC ..... D6/601, 605, 606; 5/716, 717, 727,  
5/720, 740; 267/153; D25/119-125, 136  
See application file for complete search history.

(56) **References Cited**

**U.S. PATENT DOCUMENTS**

831,441 A	9/1906	Johnson
1,579,074 A	3/1926	Burton
1,930,285 A	10/1933	Robinson
2,192,516 A	3/1940	Cunnington

(Continued)

**FOREIGN PATENT DOCUMENTS**

CN	2137475 Y	7/1993
CN	2302709 Y	1/1999

(Continued)

**OTHER PUBLICATIONS**

International Search Report for PCT/US2010/040003 mailed Aug. 30, 2010, 10 pages.

(Continued)

*Primary Examiner* — Janice Seeger

(74) *Attorney, Agent, or Firm* — Withrow & Terranova, PLLC

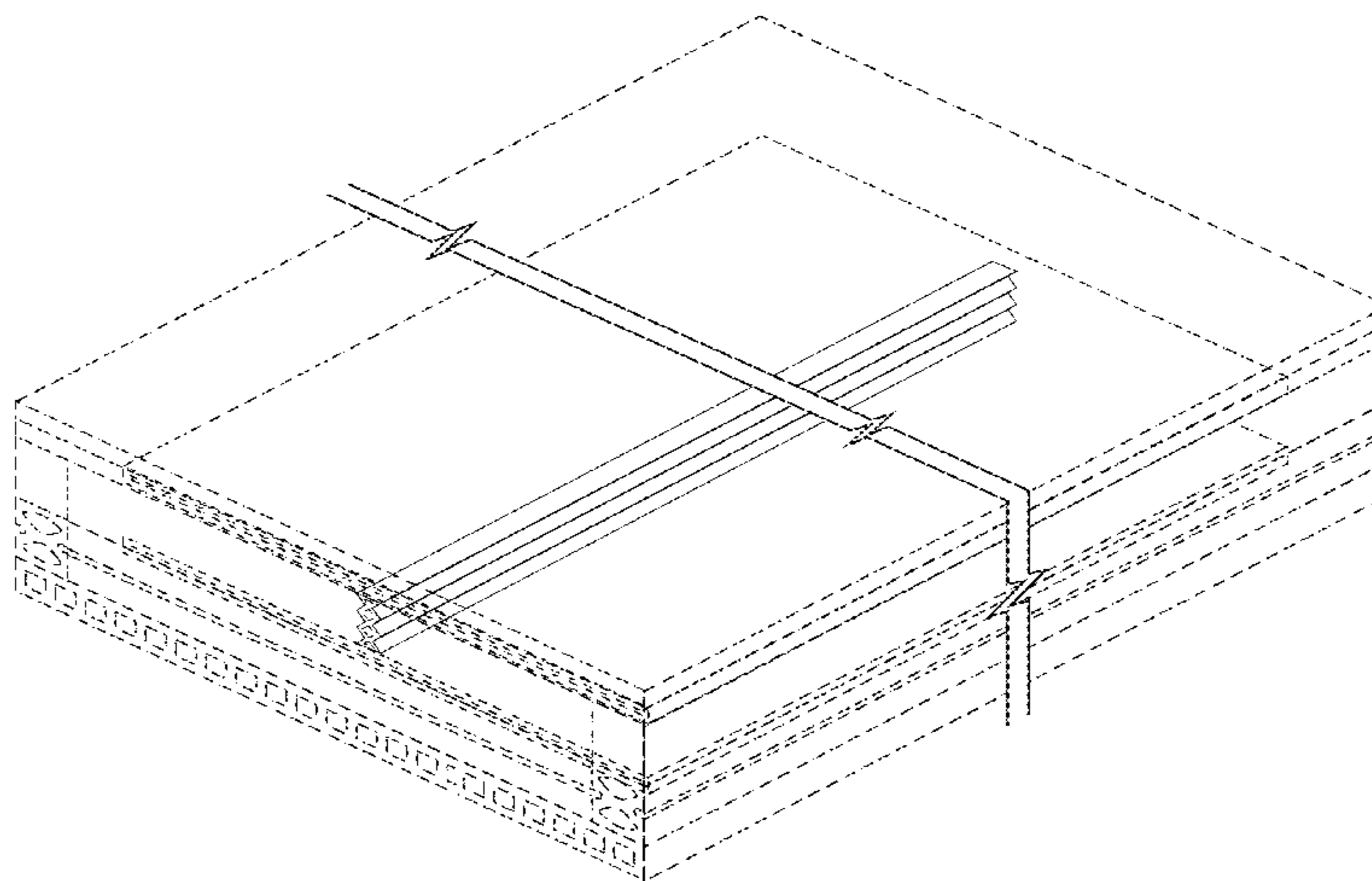
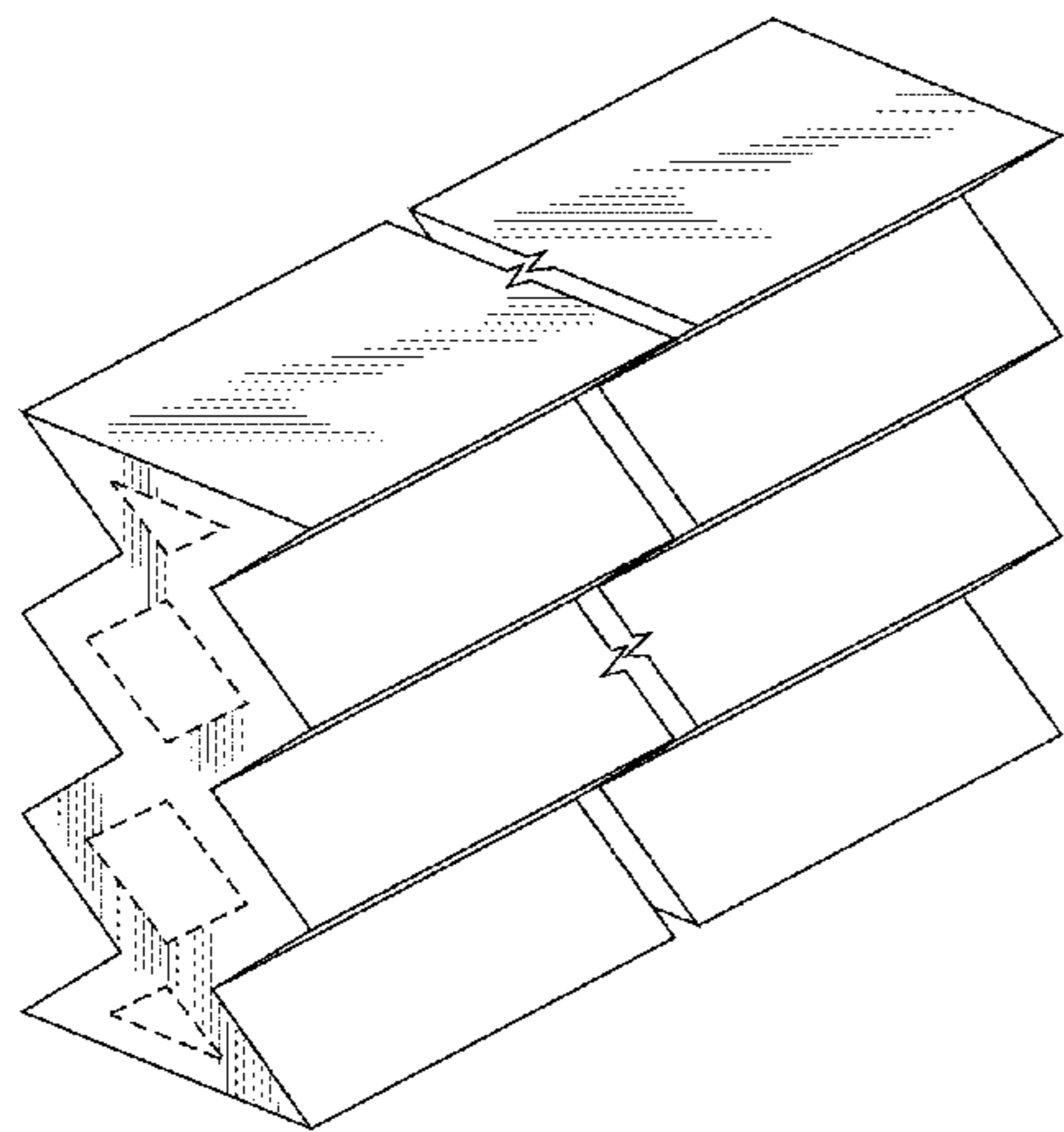
(57) **CLAIM**

The ornamental design for mattress bed cushion, as shown and described.

**DESCRIPTION**

FIG. 1 is a top perspective view of an exemplary mattress bed cushion;  
 FIG. 2 is a top view of the mattress bed cushion of FIG. 1, and a bottom view is identical thereto;  
 FIG. 3 is a left side view of the mattress bed cushion of FIG. 1, and a right side view is identical thereto;  
 FIG. 4 is a front view of the mattress bed cushion of FIG. 1, and a rear view is identical thereto;  
 FIG. 5 is a sectional top perspective view of the exemplary mattress bed cushion of FIG. 1;  
 FIG. 6 is a sectional top view of the mattress bed cushion of FIG. 1, and a sectional bottom view is identical thereto;  
 FIG. 7 is a sectional left side view of the mattress bed cushion of FIG. 1, and a sectional right side view is identical thereto; and,  
 FIG. 8 is a sectional front view of the mattress bed cushion of FIG. 1, and a sectional rear view is identical thereto.  
 The mattress bed cushion is shown with symbolic breaks in its length and width. The appearance of any portion of the article between the break lines forms no part of the claimed design. Broken lines in the drawings are for illustrative purposes only and do not form part of the claimed design.

**1 Claim, 7 Drawing Sheets**



(56)

References Cited

U.S. PATENT DOCUMENTS

2,241,644 A	5/1941	Nichols et al.	4,837,881 A	6/1989	Kondo et al.
2,369,000 A	2/1945	Page	4,879,776 A	11/1989	Farley
2,429,508 A	10/1947	Belaieff	4,952,450 A	8/1990	Noel
2,604,642 A	7/1952	Marco	D310,460 S	9/1990	Vergnano
2,659,418 A	11/1953	Berman	4,955,096 A	9/1990	Gilroy et al.
2,682,125 A	6/1954	Coffield	4,957,798 A	9/1990	Bogdany
2,835,313 A	5/1958	Dodge	4,966,919 A	10/1990	Williams, Jr. et al.
2,835,906 A	5/1958	Robbins	4,972,535 A	11/1990	Goldman
2,917,807 A	12/1959	Scholl	4,997,804 A	3/1991	Pekala
2,955,056 A	10/1960	Knox	4,999,868 A	3/1991	Kraft
3,026,544 A	3/1962	Persicke et al.	5,022,111 A	6/1991	Fenner
3,047,888 A	8/1962	Shecter et al.	5,031,261 A	7/1991	Fenner, Sr.
3,061,460 A	10/1962	Schickedanz	5,037,859 A	8/1991	Williams, Jr. et al.
3,107,377 A	10/1963	Nathan	5,038,433 A	8/1991	Farley
3,114,722 A	12/1963	Einhorn et al.	5,047,436 A	9/1991	Hill et al.
3,188,665 A	6/1965	Snyder	5,070,560 A	12/1991	Wilkinson
3,222,697 A	12/1965	Scheermesser	D322,907 S	1/1992	Raburn
3,283,357 A	11/1966	Decker et al.	5,083,335 A	1/1992	Krouskop et al.
3,287,748 A	11/1966	Thomas et al.	5,086,084 A	2/1992	Michaelson
3,319,272 A	5/1967	Eller	5,087,514 A	2/1992	Graefe
3,483,069 A	12/1969	Cairns et al.	5,098,778 A	3/1992	Minnick
3,531,552 A	9/1970	Getz et al.	5,114,773 A	5/1992	Bogdany
3,551,924 A	1/1971	Frye, Sr.	5,118,555 A	6/1992	Horovitz
3,591,444 A	7/1971	Hoppe	5,132,549 A	7/1992	Allan et al.
3,607,596 A	9/1971	Fairbanks	5,136,740 A	8/1992	Kraft et al.
3,607,797 A	9/1971	Rubens et al.	5,138,730 A	8/1992	Masuda
3,627,622 A	12/1971	Vega	5,206,082 A	4/1993	Malone
3,691,569 A	9/1972	Ikada	5,248,550 A	9/1993	Turpin et al.
3,728,206 A	4/1973	Buese	5,272,001 A	12/1993	Weisman et al.
3,813,462 A	5/1974	Roberts	5,274,846 A	1/1994	Kolsky et al.
3,846,857 A	11/1974	Weinstock	5,280,890 A *	1/1994	Wydra ..... 267/220
3,878,133 A	4/1975	Rubens	5,327,597 A	7/1994	Rothbard
3,922,429 A	11/1975	Welch et al.	5,366,999 A	11/1994	Giez et al.
3,989,781 A	11/1976	Chant	5,389,317 A	2/1995	Grimmer
4,051,210 A	9/1977	Wallenberger	5,393,588 A	2/1995	Weddendorf
D247,373 S	2/1978	Puccio	5,395,860 A	3/1995	Leung et al.
4,073,020 A	2/1978	Stalter et al.	5,415,822 A	5/1995	Cook
4,106,139 A	8/1978	Southard	5,418,257 A	5/1995	Weisman et al.
4,110,857 A	9/1978	Banister	5,430,901 A	7/1995	Farley
4,134,166 A	1/1979	Schuder	5,451,451 A	9/1995	Minnick
4,143,435 A	3/1979	Masuda	5,488,746 A	2/1996	Hudson
4,146,562 A	3/1979	Fukushima et al.	5,491,852 A	2/1996	Maucher
4,159,355 A	6/1979	Kaufman	5,492,662 A	2/1996	Kargol et al.
4,169,184 A	9/1979	Pufahl	5,494,627 A	2/1996	Kargol et al.
4,213,214 A	7/1980	Gilhooly	5,513,402 A	5/1996	Schwartz
4,224,374 A	9/1980	Priest	5,544,908 A	8/1996	Fezio
4,230,521 A	10/1980	Cobb et al.	5,642,557 A	7/1997	Clews
4,260,660 A	4/1981	McCarter	5,643,139 A	7/1997	Stout et al.
4,276,107 A	6/1981	Pufahl	5,686,167 A	11/1997	Rudy
4,279,953 A	7/1981	Barden et al.	5,701,623 A	12/1997	May
4,281,197 A	7/1981	Oblinger	5,721,035 A	2/1998	Dunn
4,348,243 A	9/1982	Craubner	5,740,574 A	4/1998	Piraino et al.
4,350,734 A	9/1982	Hammond	D394,578 S	5/1998	Raburn
4,393,116 A	7/1983	Taylor	5,755,901 A	5/1998	Ormachea
4,397,053 A	8/1983	Fanti	5,801,211 A	9/1998	Tornero et al.
4,432,110 A	2/1984	Sutton	5,806,796 A	9/1998	Healey
4,438,221 A	3/1984	Fracalossi et al.	D401,451 S	11/1998	Sherman
4,524,473 A	6/1985	Fanti	D406,051 S	2/1999	Ross
4,525,386 A	6/1985	Weisman	5,869,172 A	2/1999	Caldwell et al.
4,537,825 A	8/1985	Yardley	5,876,652 A	3/1999	Rorabaugh et al.
4,569,861 A	2/1986	Smith et al.	5,919,413 A	7/1999	Avila
4,603,445 A	8/1986	Spann	5,944,389 A	8/1999	Zenba et al.
4,618,517 A	10/1986	Simko, Jr.	5,945,461 A	8/1999	Gosiewski et al.
4,620,337 A	11/1986	Williams et al.	5,960,497 A	10/1999	Castellino et al.
4,631,768 A	12/1986	Ferrall	5,977,271 A	11/1999	McKay et al.
4,683,246 A	7/1987	Davis et al.	5,987,668 A	11/1999	Ackley
4,700,447 A	10/1987	Spann	D418,394 S *	1/2000	King ..... D8/354
4,713,854 A	12/1987	Graebe	6,026,527 A	2/2000	Pearce et al.
4,722,158 A	2/1988	Urdaneta	6,108,835 A	8/2000	Hwang
4,741,058 A	5/1988	Williams et al.	6,129,978 A	10/2000	Caldwell
4,755,408 A	7/1988	Noel	6,132,323 A	10/2000	Smith et al.
4,780,167 A	10/1988	Hill	6,139,956 A	10/2000	Endoh et al.
4,796,316 A	1/1989	Boselli	6,212,720 B1	4/2001	Antinori et al.
4,828,325 A	5/1989	Brooks	6,237,173 B1	5/2001	Schlichter et al.
4,837,060 A	6/1989	Bambara et al.	6,258,310 B1	7/2001	Sardanopoli et al.
			6,262,137 B1	7/2001	Kozma et al.
			6,284,346 B1	9/2001	Sheridan
			6,306,235 B1	10/2001	Henderson
			6,309,235 B1	10/2001	Argaut

# US D691,401 S

6,317,912 B1	11/2001	Graebe et al.	2006/0194892 A1	8/2006	Ramesh et al.
6,323,251 B1	11/2001	Perez et al.	2006/0195988 A1	9/2006	Gladney
D456,197 S	4/2002	McClure et al.	2006/0272098 A1	12/2006	Hochschild
6,406,780 B1	6/2002	Sutherland	2006/0290039 A1	12/2006	Cao et al.
6,425,153 B1	7/2002	Reswick	2007/0022540 A1	2/2007	Hochschild
D467,118 S	12/2002	McClure et al.	2007/0044906 A1	3/2007	Park
6,537,405 B1	3/2003	Henderson et al.	2007/0094801 A1	5/2007	Kuo
6,555,214 B1	4/2003	Yates	2007/0221890 A1	9/2007	Gan
6,574,814 B2	6/2003	Collard et al.	2007/0289069 A1	12/2007	Wells
6,596,389 B1	7/2003	Hallett et al.	2008/0014387 A1	1/2008	Murphy et al.
6,612,556 B2 *	9/2003	Petrina ..... 267/168	2008/0201860 A1	8/2008	Malzl
6,643,876 B2	11/2003	Visser et al.	2008/0299379 A1	12/2008	Maurer et al.
6,658,683 B2	12/2003	Parvin	2008/0313815 A1	12/2008	Guesquiere
6,687,935 B2	2/2004	Reeder et al.	2009/0011203 A1	1/2009	Mock et al.
6,691,482 B1	2/2004	Ault	2009/0013472 A1	1/2009	Koffler et al.
6,701,551 B1	3/2004	Antinori	2009/0047495 A1	2/2009	Hubbs
6,740,381 B2	5/2004	Day et al.	2009/0139033 A1	6/2009	Gladney
6,743,830 B2	6/2004	Soane et al.	2009/0142551 A1	6/2009	Fox et al.
6,807,698 B2	10/2004	Torbet et al.	2009/0183314 A1 *	7/2009	Demoss ..... 5/716
6,866,915 B2	3/2005	Landvik	2009/0291290 A1	11/2009	Zhang et al.
6,920,287 B1	7/2005	Hinds et al.	2010/0018347 A1	1/2010	Holden et al.
6,949,588 B2	9/2005	Park	2010/0021690 A1	1/2010	McCarthy
6,967,833 B2	11/2005	Boykin et al.	2010/0030316 A1	2/2010	Prindle et al.
7,045,206 B1	5/2006	Granata et al.	2010/0047550 A1	2/2010	Prissok et al.
7,059,001 B2	6/2006	Woolfson	2010/0143652 A1	6/2010	Stockton et al.
7,076,822 B2	7/2006	Pearce	2010/0146706 A1	6/2010	Siegner et al.
7,086,108 B1	8/2006	Litvak	2010/0218319 A1	9/2010	Moule et al.
7,090,911 B2	8/2006	Lascelles	2010/0221521 A1	9/2010	Wagner et al.
7,093,619 B2	8/2006	Watanabe et al.	2010/0223732 A1	9/2010	Allman et al.
7,108,252 B2 *	9/2006	Jayakumaran ..... 267/151	2010/0223734 A1	9/2010	Oh
7,159,620 B2	1/2007	Kissell	2010/0237082 A1	9/2010	Fernandez
7,166,646 B2	1/2007	Loh et al.	2010/0304104 A1	12/2010	Nagasaki et al.
7,173,070 B2	2/2007	Koffler	2010/0319137 A1	12/2010	Witherell et al.
7,191,483 B2	3/2007	Hochschild	2010/0325806 A1	12/2010	Letton et al.
7,281,917 B2	10/2007	Hannen	2011/0049327 A1	3/2011	Young et al.
7,285,316 B2	10/2007	Meyer-Ahrens et al.	2011/0179579 A1	7/2011	Henderson et al.
7,334,280 B1	2/2008	Swartzburg	2011/0197363 A1	8/2011	Kokenes et al.
7,386,903 B2	6/2008	Hochschild	2012/0180225 A1	7/2012	Gladney et al.
7,393,577 B2	7/2008	Day et al.	2012/0233784 A1	9/2012	Wood
7,426,767 B2	9/2008	Mossbeck	2012/0272457 A1	11/2012	Allman et al.
D579,586 S	10/2008	Mattingly	2012/0284928 A1	11/2012	Henderson et al.
7,452,585 B1	11/2008	Wong et al.	2013/0098791 A1	4/2013	Saunders et al.
7,490,819 B2	2/2009	Molitor			
7,491,753 B2	2/2009	Krishnan			
7,496,981 B2	3/2009	Alonso Cucurull			
7,607,911 B2	10/2009	Sperry et al.			
7,793,372 B2	9/2010	Lean et al.			
7,794,827 B2	9/2010	Palmer et al.			
7,845,035 B2	12/2010	Letton et al.			
D640,535 S	6/2011	Austro			
8,034,445 B2	10/2011	Landvik et al.			
8,127,383 B2	3/2012	Gladney et al.			
D663,152 S	7/2012	Shive			
8,307,482 B2	11/2012	Gladney et al.			
D673,402 S	1/2013	Kuzyk			
D675,051 S *	1/2013	Sobran et al. .... D6/601			
8,356,373 B2	1/2013	Allman et al.			
D675,856 S	2/2013	Yiannaki			
8,418,297 B2	4/2013	Mikkelsen et al.			
2001/0029632 A1	10/2001	Parvin			
2001/0044972 A1	11/2001	Kutschi			
2002/0054996 A1	5/2002	Rheenen			
2002/0162173 A1	11/2002	Formenti			
2002/0185905 A1	12/2002	Cassinelli			
2003/0177584 A1	9/2003	Boyd			
2003/0194546 A1	10/2003	McCabe			
2003/0207634 A1	11/2003	Holeschovsky			
2004/0010855 A1	1/2004	Piraino			
2004/0126558 A1	7/2004	Williams et al.			
2004/0133987 A1	7/2004	Reeder et al.			
2004/0137212 A1	7/2004	Ochoa et al.			
2004/0172766 A1	9/2004	Formenti			
2004/0187217 A1	9/2004	Barman et al.			
2005/0115003 A1	6/2005	Torbet et al.			
2005/0188467 A1	9/2005	Woolfson			
2005/0192368 A1	9/2005	Miller et al.			
2006/0068169 A1	3/2006	Hanada et al.			
2006/0123553 A1	6/2006	Jansen			
2006/0127648 A1	6/2006	De Luca			

## FOREIGN PATENT DOCUMENTS

CN	1233444 A	11/1999
CN	2432041 Y	5/2001
CN	2841067 Y	11/2006
DE	3937214 A1	5/1991
EP	0349620 A1	1/1990
EP	0209453 B2	9/1993
EP	0996654 B1	5/2000
EP	1825996 A1	8/2007
EP	1865812 A1	12/2007
EP	1914274 A1	4/2008
EP	2095745 A1	9/2009
EP	2247223 B1	3/2013
GB	1423541 A	2/1976
GB	2225229 A	5/1990
WO	9514136 A1	5/1995
WO	9522922 A1	8/1995
WO	02075203 A1	9/2002
WO	02077513 A1	10/2002
WO	2004041659 A2	5/2004
WO	2008100728 A2	8/2008
WO	2009014657 A1	1/2009
WO	2010075231 A1	7/2010
WO	2011150080 A1	12/2011
WO	2012033985 A1	3/2012
WO	2012076978 A1	6/2012
WO	2012094466 A1	7/2012
WO	2012094468 A1	7/2012
WO	2012145320 A1	10/2012
WO	2012155131 A1	11/2012
WO	2012155132 A1	11/2012
WO	2013012904 A1	1/2013
WO	2013040543 A2	3/2013
WO	2013059767 A1	4/2013

WO 2013106066 A1 7/2013  
 WO 2013112176 A1 8/2013  
 WO 2013112840 A1 8/2013

OTHER PUBLICATIONS

Non-final Office Action for U.S. Appl. No. 12/893,265 mailed May 15, 2012, 15 pages.  
 Chinese Office Action for patent application 20102187662.1 mailed Oct. 21, 2010, 3 pages.  
 Non-final Office Action for U.S. Appl. No. 12/823,653 mailed Mar. 7, 2012, 6 pages.  
 Kelmner, Daniel et al., "3.3 Open- and Closed-Cell Foamed Plastics," in Handbook of Polymeric Foam and Foam Technology, Second Edition, Hanser Gardner Publications, Inc., Cincinnati, OH, Apr. 2004, pp. 22, 39 and 59.  
 Smock, D., "One-step SkinForm process went live at NPE2012," Plasticstoday.com, Apr. 13, 2012, 2 pages, Accessed Apr. 18, 2012.  
 European Search Report for European Patent Application No. 10749317.3 mailed Oct. 30, 2012, 7 pages.  
 International Preliminary Report on Patentability for PCT/US2011/024759 mailed Aug. 14, 2012, 8 pages.  
 International Search Report and Written Opinion for PCT/US2011/024759 mailed Apr. 7, 2011, 12 pages.  
 International Search Report for PCT/US20121057917 mailed Dec. 21, 2012, 11 pages.  
 Non-final Office Action for U.S. Appl. No. 12/716,804 mailed Jun. 21, 2012, 10 pages.  
 Notice of Allowance for U.S. Appl. No. 12/716,804 mailed Dec. 11, 2012, 9 pages.  
 Non-final Office Action for U.S. Appl. No. 29/413,103 mailed Jan. 8, 2013, 5 pages.  
 Invitation to Pay Additional Fees for PCT/US2012/035564 mailed Jan. 17, 2013, 7 pages.  
 International Search Report for PCT/US2012/035564 mailed Mar. 26, 2013, 13 pages.  
 Non-final Office Action for U.S. Appl. No. 29/436,793 mailed Mar. 15, 2013, 5 pages.  
 Non-final Office Action for U.S. Appl. No. 29/436,801 mailed Mar. 15, 2013, 6 pages.  
 Non-final Office Action for U.S. Appl. No. 29/436,831 mailed Mar. 15, 2013, 5 pages.  
 Non-final Office Action for U.S. Appl. No. 29/436,833 mailed Mar. 15, 2013, 5 pages.  
 Non-final Office Action for U.S. Appl. No. 29/436,847 mailed Mar. 15, 2013, 5 pages.  
 Non-final Office Action for U.S. Appl. No. 29/436,860 mailed Mar. 15, 2013, 5 pages.

Non-final Office Action for U.S. Appl. No. 12/893,265 mailed Mar. 15, 2013, 12 pages.  
 Notice of Allowance for U.S. Appl. No. 29/436,781 mailed Mar. 19, 2013, 7 pages.  
 Notice of Allowance for U.S. Appl. No. 29/436,786 mailed Mar. 19, 2013, 5 pages.  
 Non-final Office Action for U.S. Appl. No. 29/436,792 mailed Mar. 19, 2013, 5 pages.  
 Non-final Office Action for U.S. Appl. No. 29/436,806 mailed Mar. 21, 2013, 6 pages.  
 Canadian Office Action for Canadian patent application 2,783,886 mailed Mar. 21, 2013, 3 pages.  
 Official Action for Mexican patent application MX/a/2011/009080 mailed Mar. 22, 2013, 6 pages.  
 Notice of Allowance for U.S. Appl. No. 29/436,781 mailed May 24, 2013, 8 pages.  
 Notice of Allowance for U.S. Appl. No. 29/436,782 mailed May 24, 2013, 8 pages.  
 Notice of Allowance for U.S. Appl. No. 29/436,786 mailed May 28, 2013, 8 pages.  
 Notice of Allowance for U.S. Appl. No. 29/436,787 mailed May 13, 2013, 8 pages.  
 Notice of Allowance for U.S. Appl. No. 29/436,790 mailed May 28, 2013, 8 pages.  
 Non-final Office Action for U.S. Appl. No. 29/436,795 mailed May 23, 2013, 6 pages.  
 Non-final Office Action for U.S. Appl. No. 29/436,799 mailed May 23, 2013, 6 pages.  
 Non-final Office Action for U.S. Appl. No. 29/436,842 mailed May 23, 2013, 6 pages.  
 Notice of Allowance for U.S. Appl. No. 29/413,103 mailed May 2, 2013, 7 pages.  
 Non-final Office Action for U.S. Appl. No. 29/426,274 mailed May 14, 2013, 4 pages.  
 Non-final Office Action for U.S. Appl. No. 13/026,979 mailed May 17, 2013, 11 pages.  
 Notice of Allowance for U.S. Appl. No. 29/436,787 mailed Jul. 5, 2013, 8 pages.  
 Notice of Allowance for U.S. Appl. No. 29/436,790 mailed Jul. 5, 2013, 8 pages.  
 Notice of Allowance for U.S. Appl. No. 29/436,782 mailed Jul. 5, 2013, 8 pages.  
 Notice of Allowance for U.S. Appl. No. 29/413,103 mailed Jul. 9, 2013, 8 pages.  
 Notice of Allowance for U.S. Appl. No. 29/428,120 mailed Jul. 23, 2013, 7 pages.

\* cited by examiner

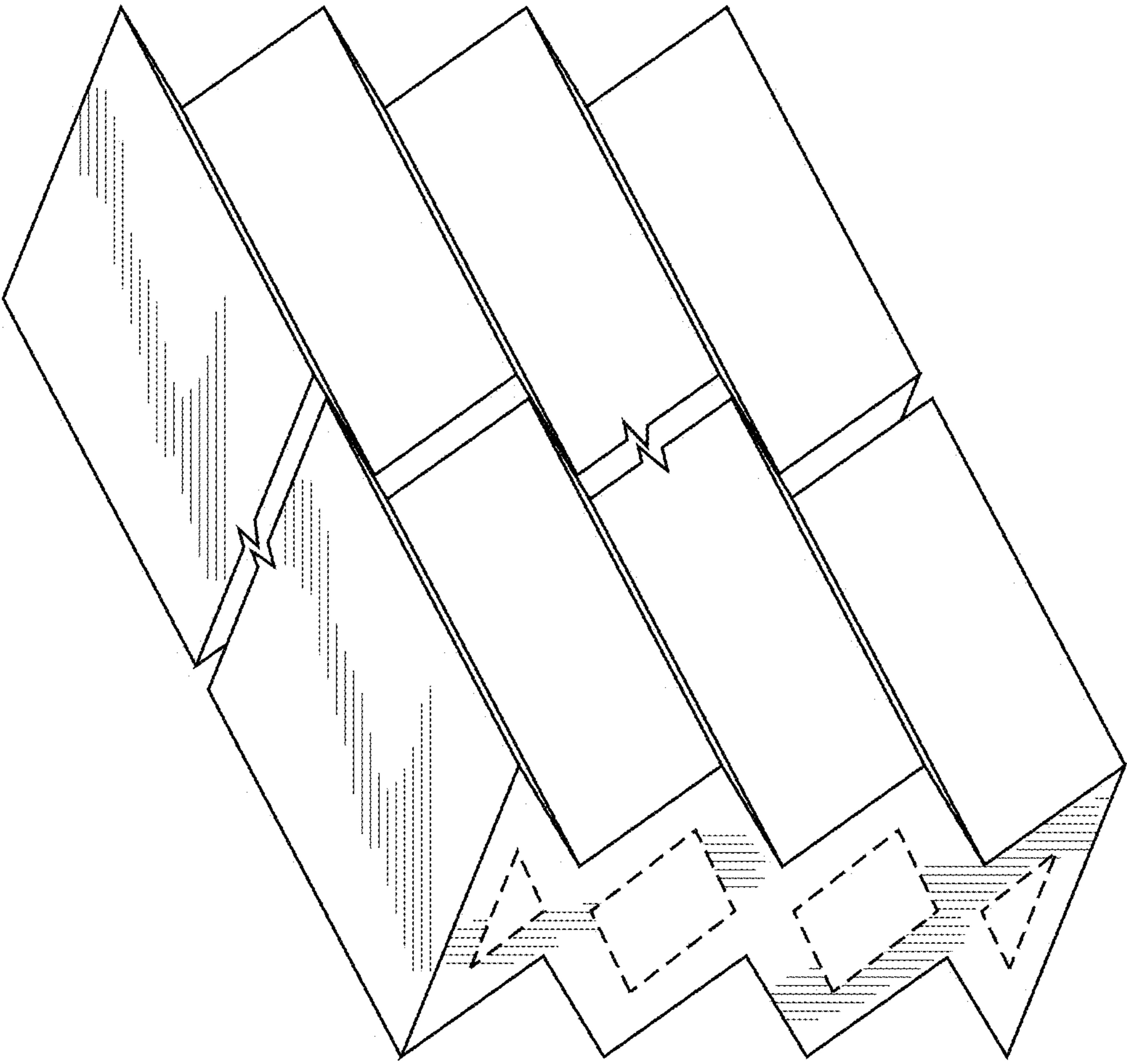


FIG. 1

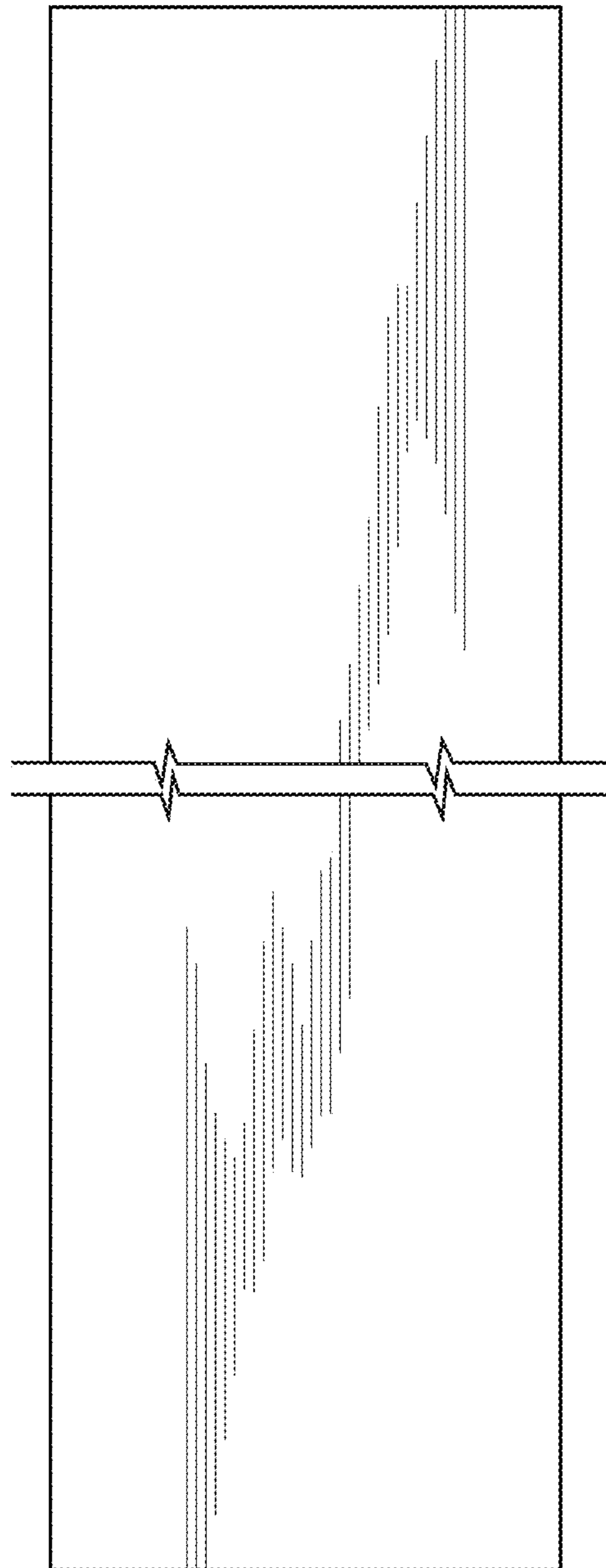


FIG. 2

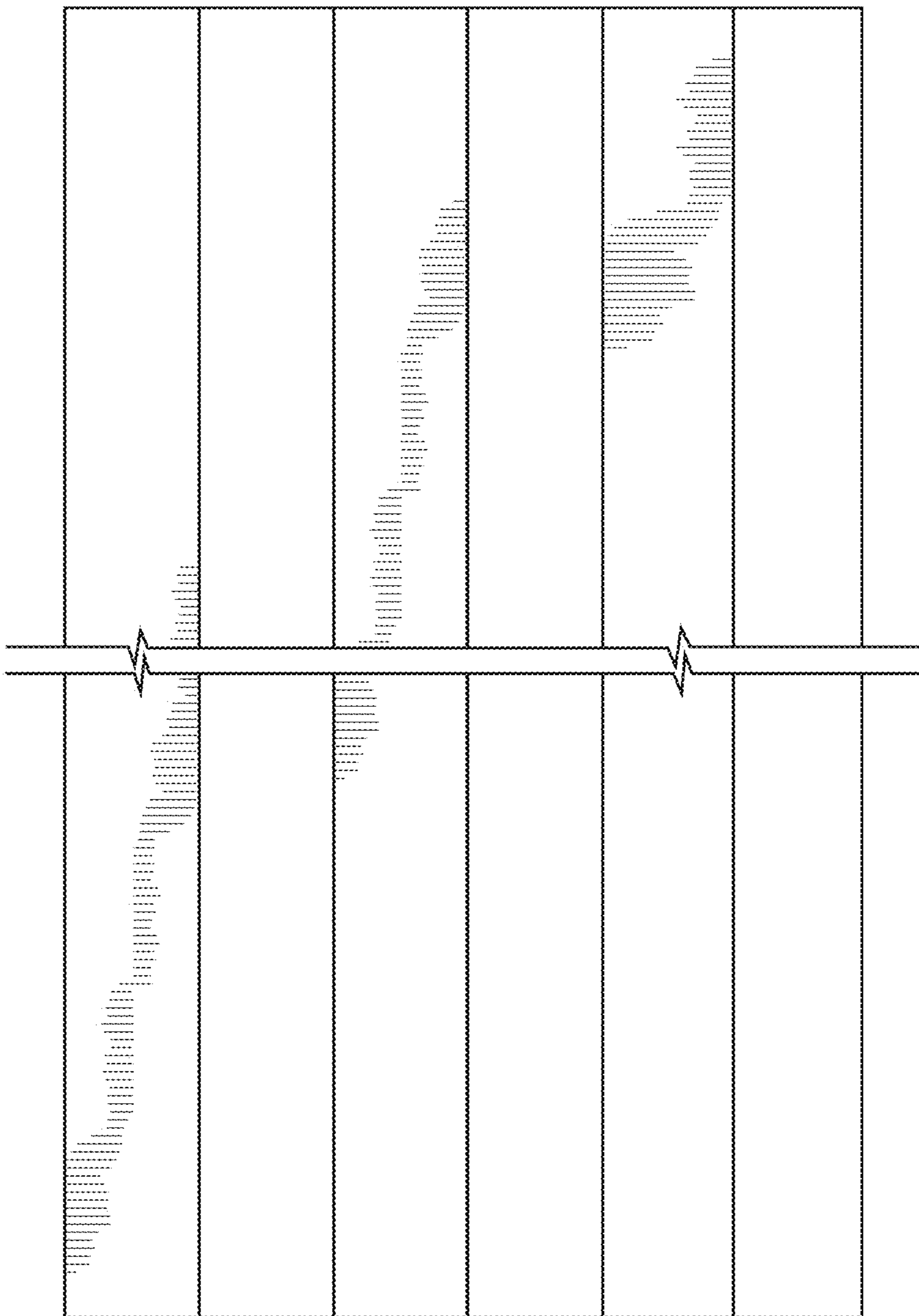


FIG. 3

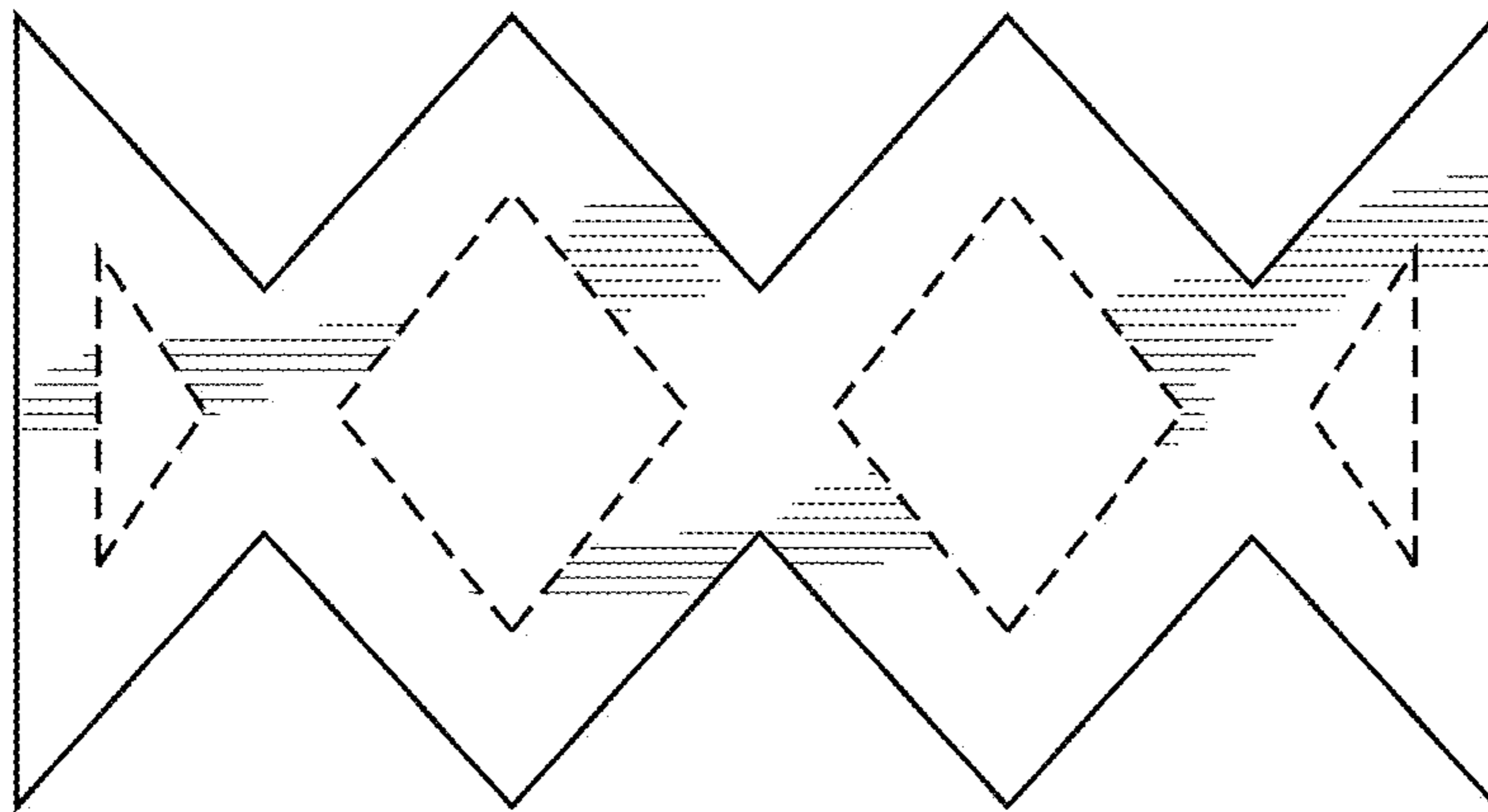


FIG. 4



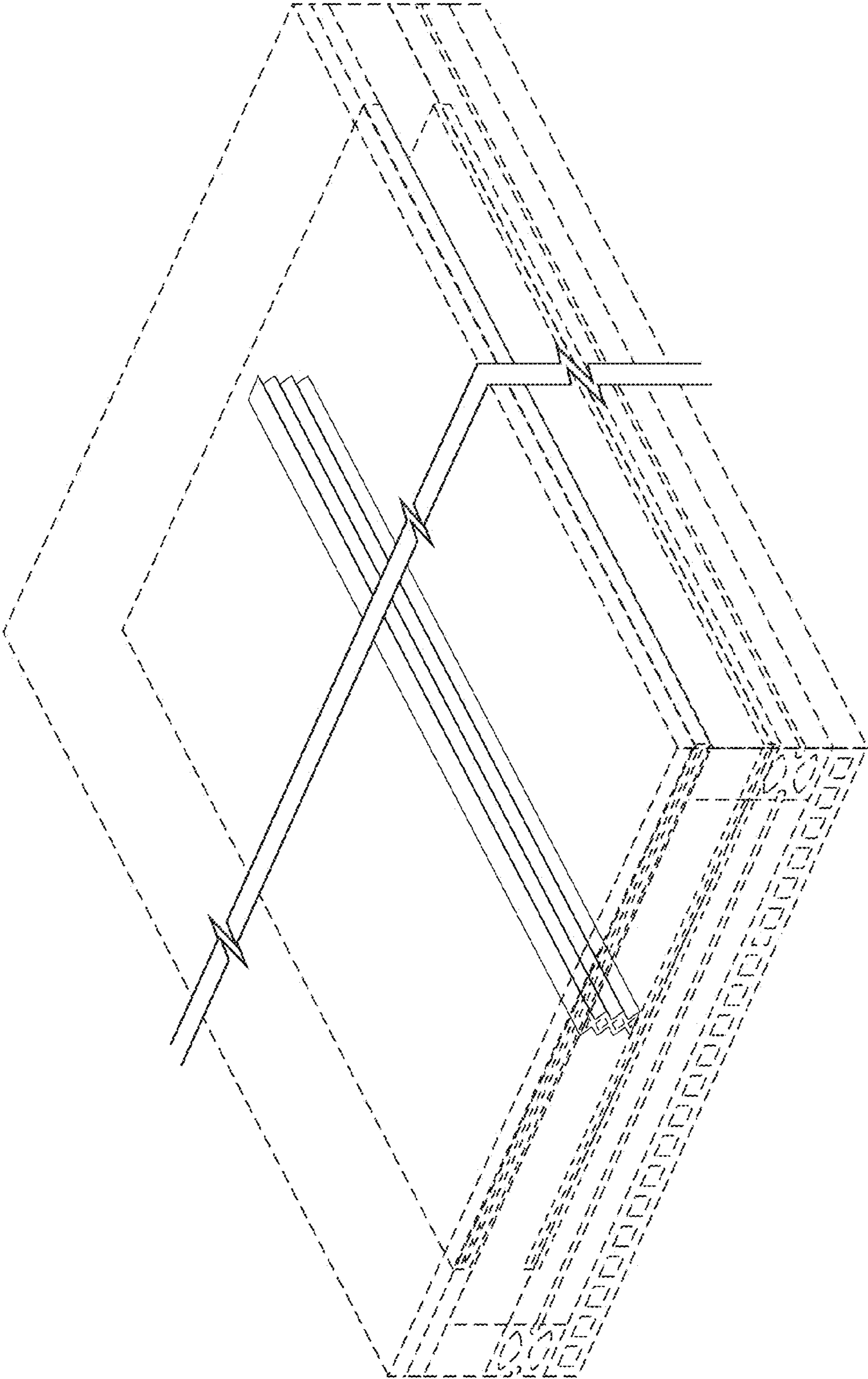


FIG. 5

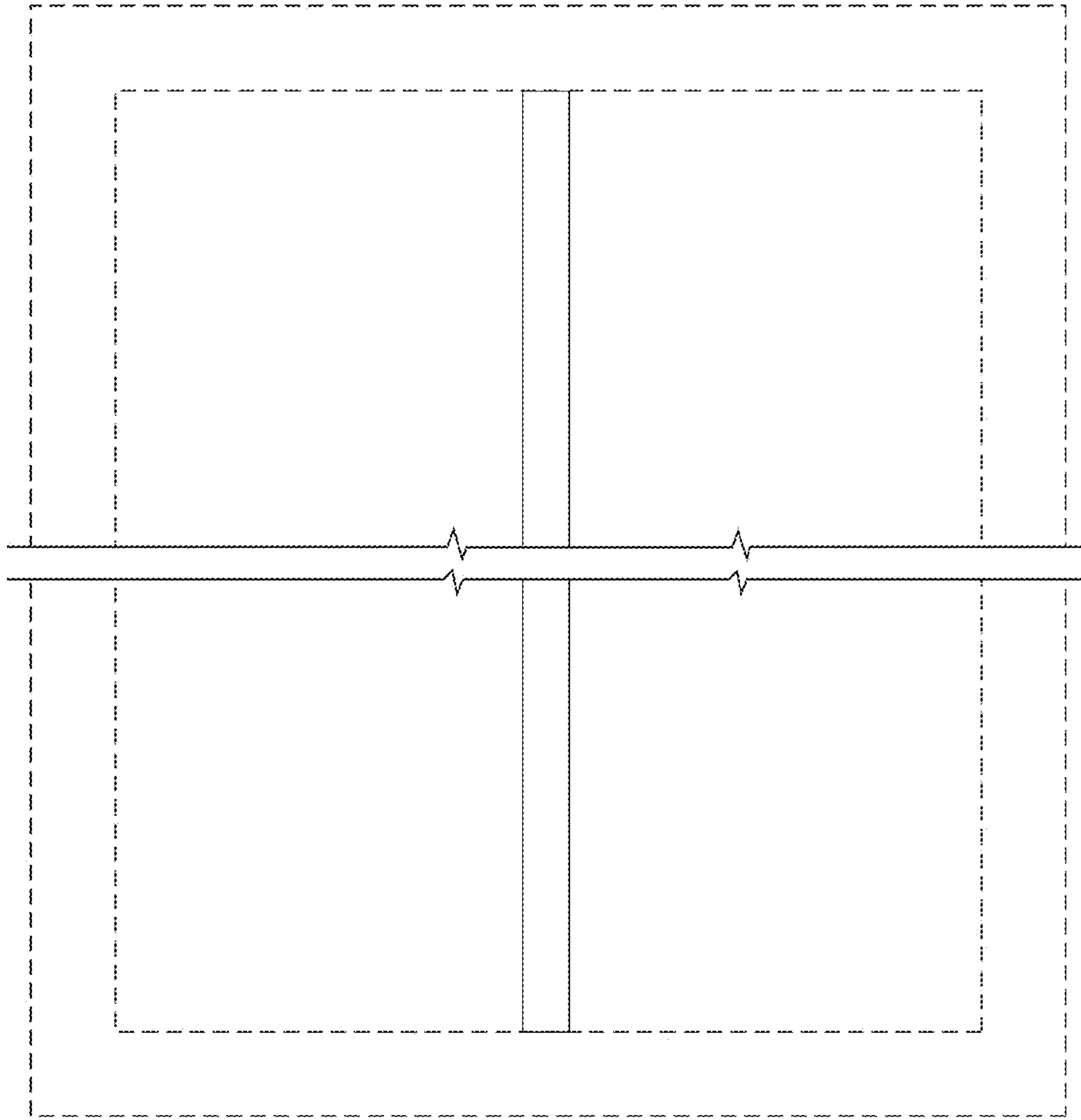


FIG. 6

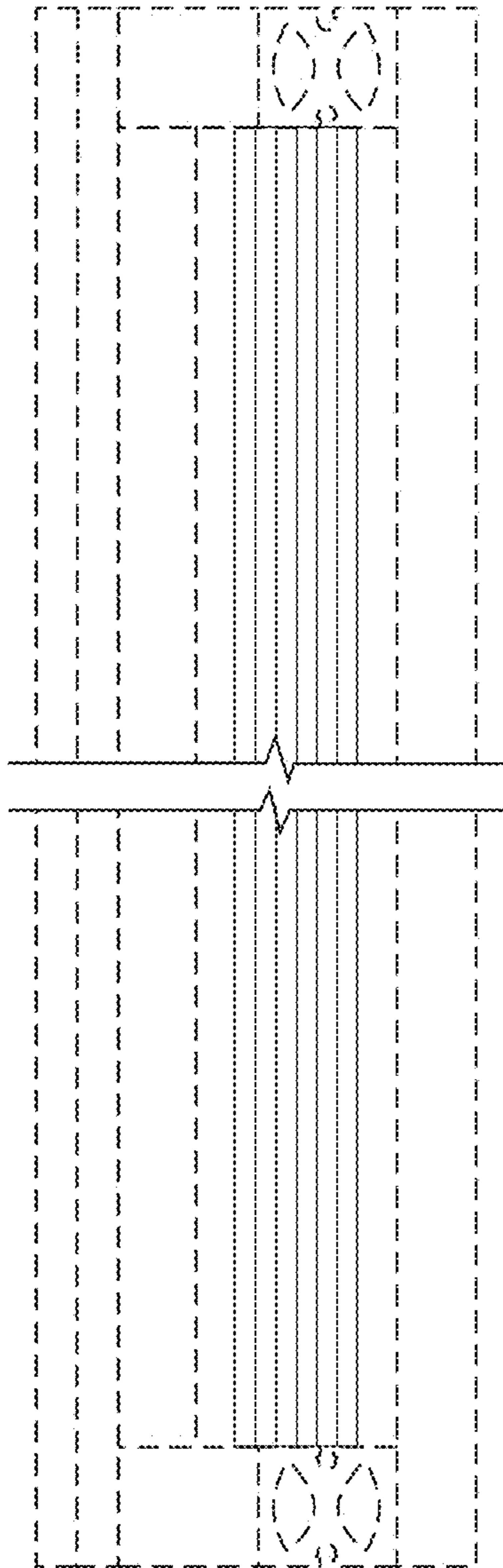


FIG. 7

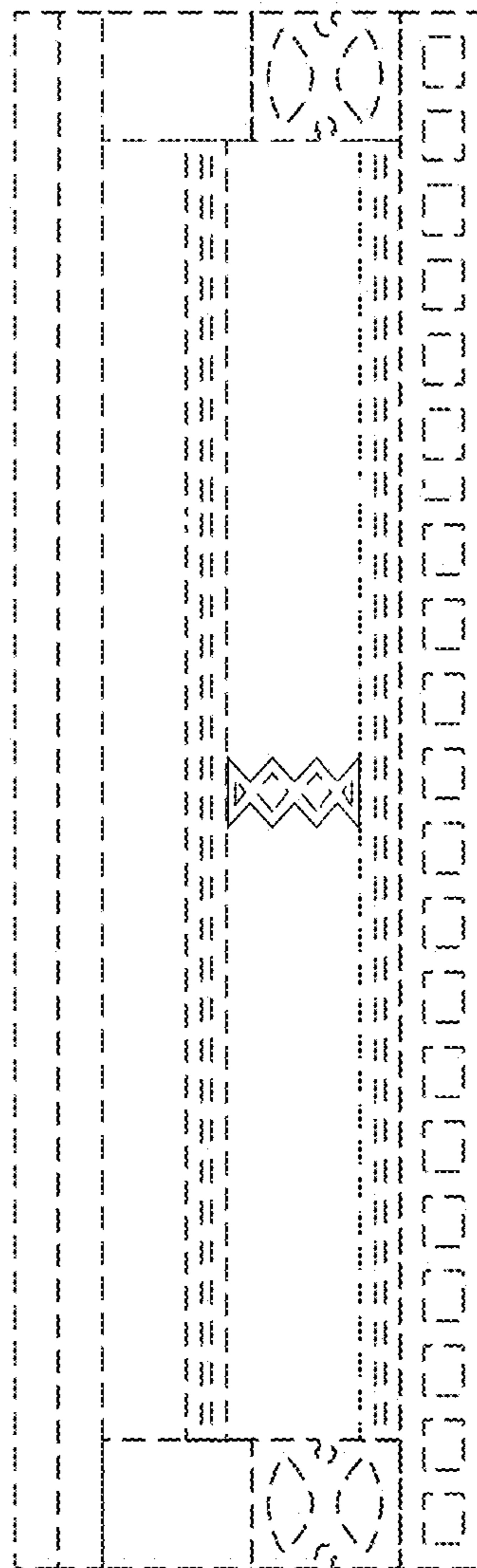


FIG. 8