

US00D691399S

(12) **United States Design Patent**
Jalan

(10) **Patent No.:** **US D691,399 S**

(45) **Date of Patent:** **** Oct. 15, 2013**

- (54) **REVERSIBLE FITTED SHEET**
- (75) Inventor: **Neeraj Jalan**, Mumbai (IN)
- (73) Assignee: **GHCL Limited**, Uttar Pradesh (IN)
- (**) Term: **14 Years**
- (21) Appl. No.: **29/429,774**
- (22) Filed: **Aug. 16, 2012**
- (51) **LOC (9) Cl.** **06-09**
- (52) **U.S. Cl.**
USPC **D6/602**
- (58) **Field of Classification Search**
USPC D6/596, 602, 603, 608, 597; 5/482,
5/485, 486, 488, 495-502, 417, 420
See application file for complete search history.

(56) **References Cited**

U.S. PATENT DOCUMENTS

3,181,179	A *	5/1965	Roddey, Jr.	5/497
4,384,380	A *	5/1983	Glaha et al.	5/485
6,983,500	B2 *	1/2006	Wootten	5/497
2004/0187211	A1 *	9/2004	Wootten, Jr.	5/497
2005/0273930	A1	12/2005	Phillipps	
2006/0282950	A1	12/2006	Shuster et al.	

2009/0106901 A1* 4/2009 Wootten, Jr. 5/497

* cited by examiner

Primary Examiner — Janice Seeger

(74) *Attorney, Agent, or Firm* — Buchanan Ingersoll & Rooney PC

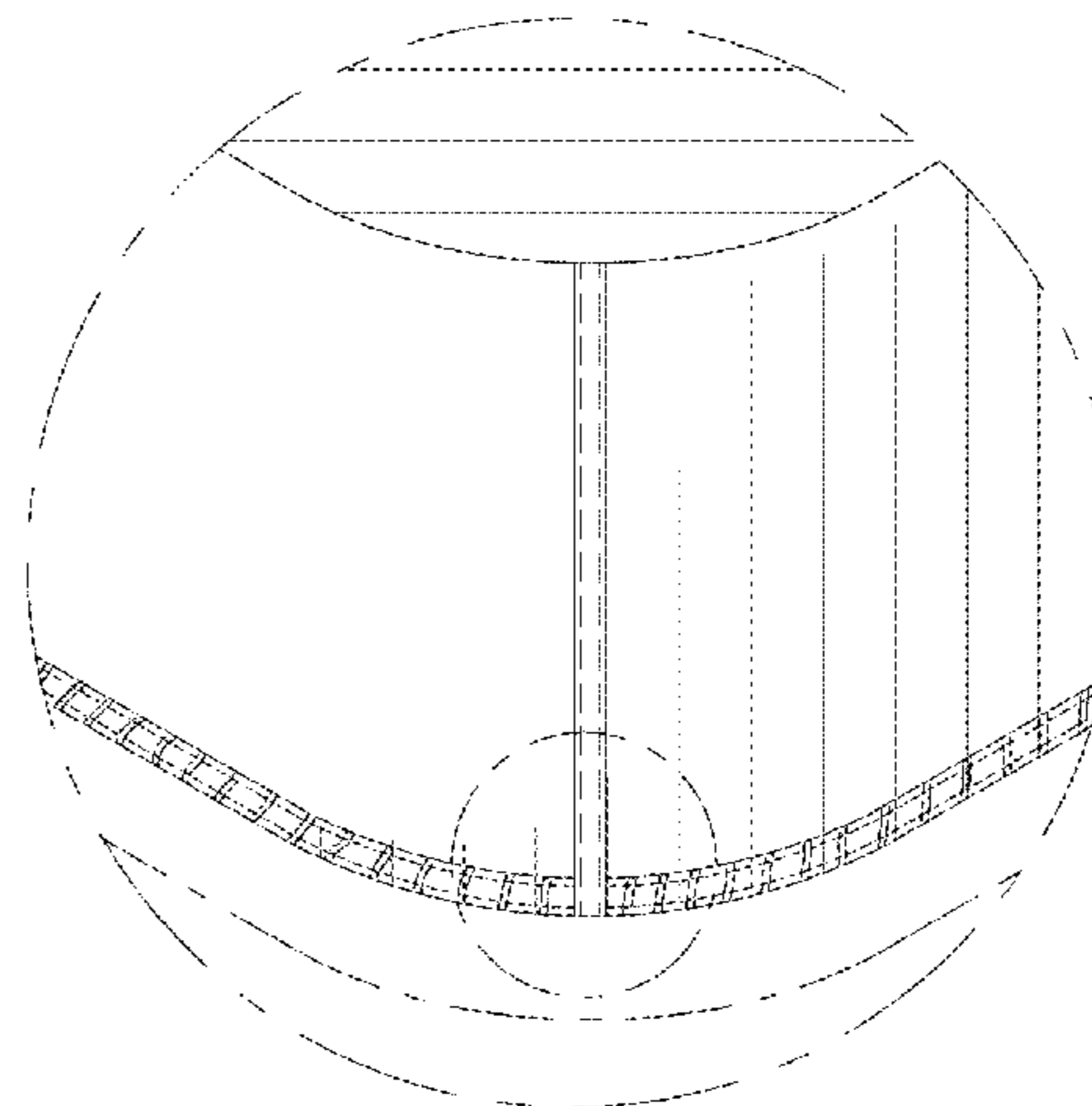
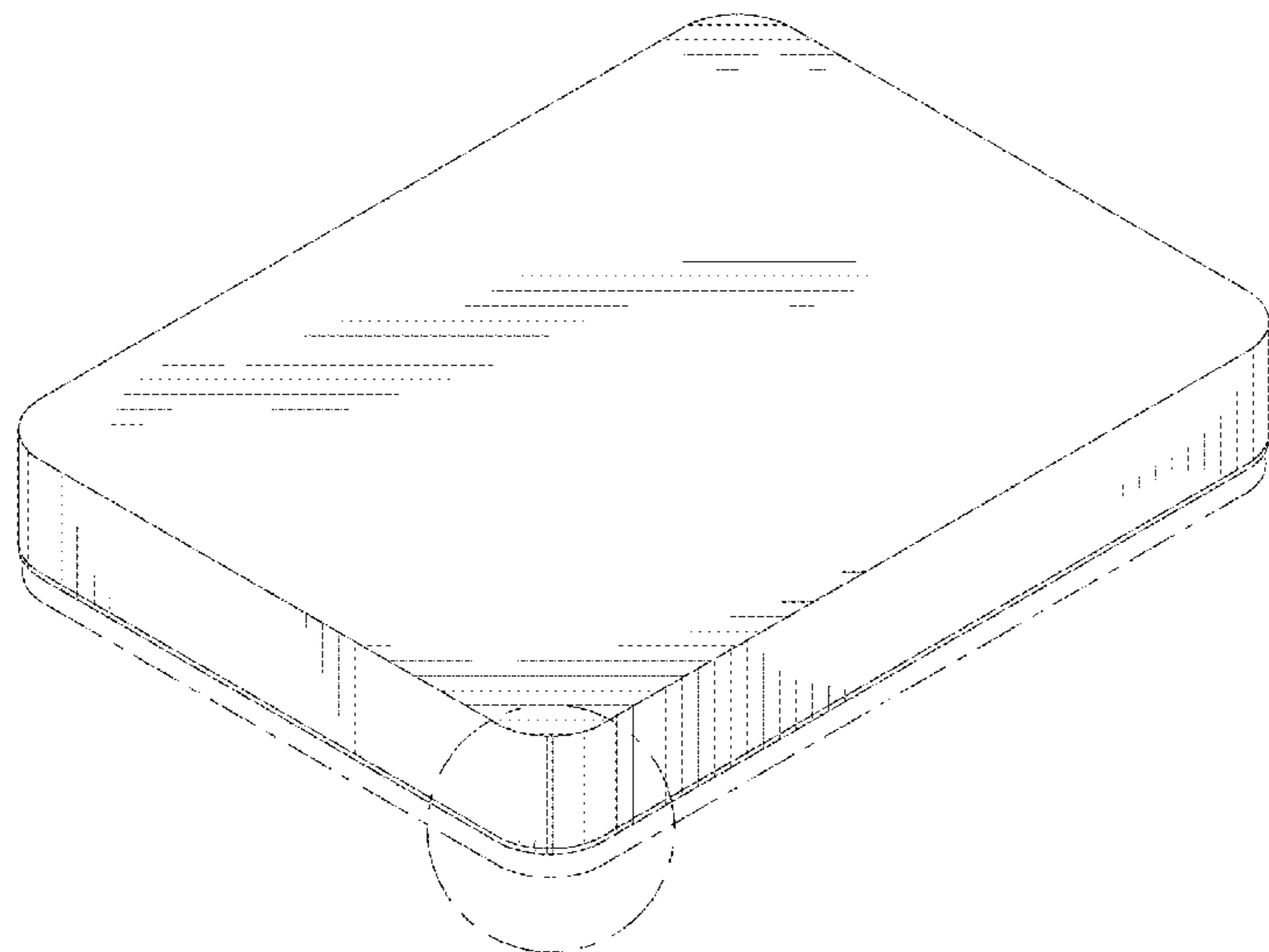
(57) **CLAIM**

The ornamental design for a reversible fitted sheet, as shown and described.

DESCRIPTION

FIG. 1 is a perspective view of my reversible fitted sheet as it would appear when placed on a mattress;
 FIG. 2 is an end view thereof;
 FIG. 3 is a side view thereof;
 FIG. 4 is a top view thereof;
 FIG. 5 is a bottom view thereof;
 FIG. 6 is an enlarged view of a portion of my reversible fitted sheet within the circle drawn in broken line in FIG. 1 showing the stitching of the corners; and,
 FIG. 7 is an enlarged view of a portion of my reversible fitted sheet with the circle drawn in broken line in FIG. 6 showing the stitching around the elastic band on the edge of the sheet. The broken lines in FIGS. 6 and 7 depict stitching.
 A portion of a mattress over which the reversible fitted sheet has been placed is shown in broken line in FIGS. 1, 2, 3 and 6 and forms no part of the claimed design

1 Claim, 3 Drawing Sheets



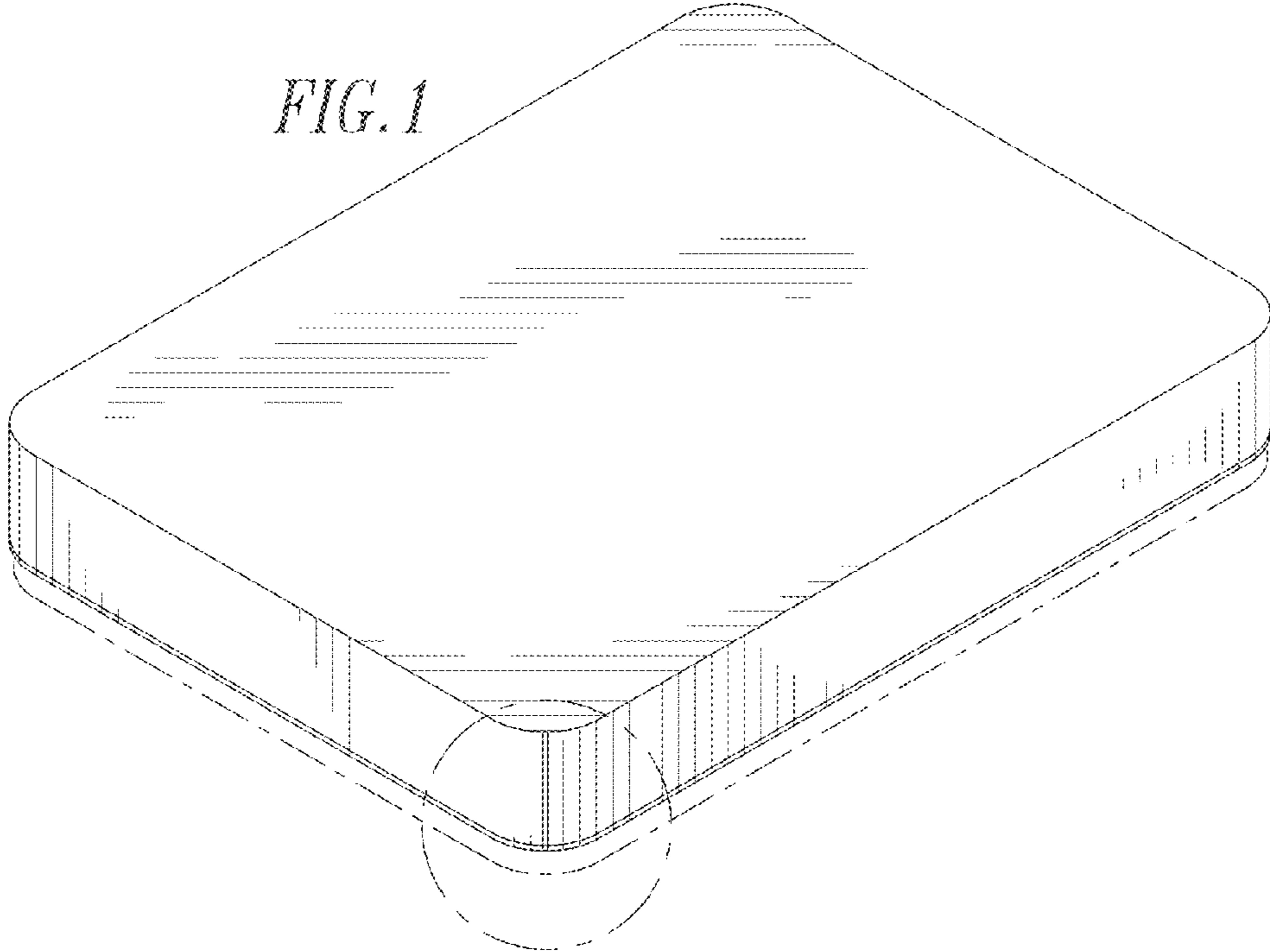


FIG. 1

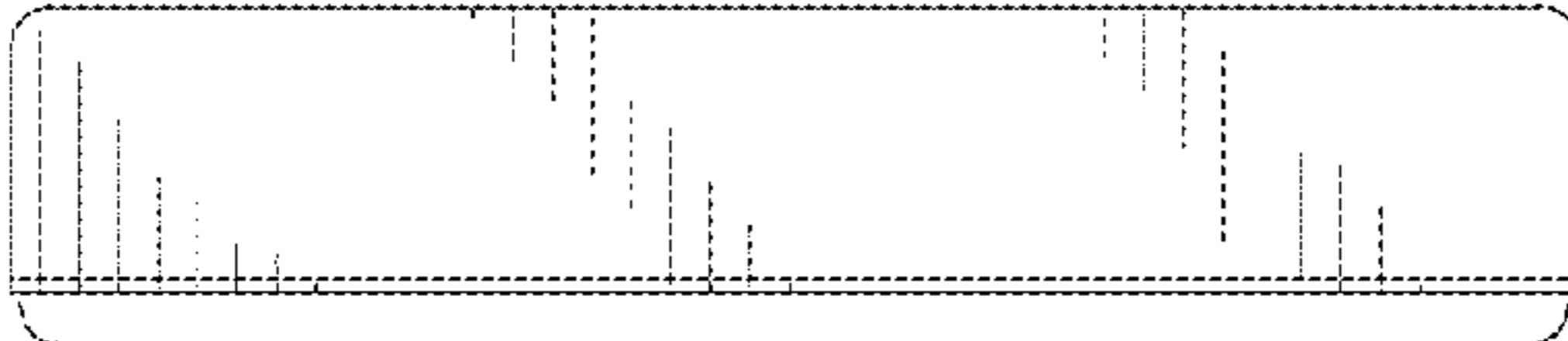


FIG. 2

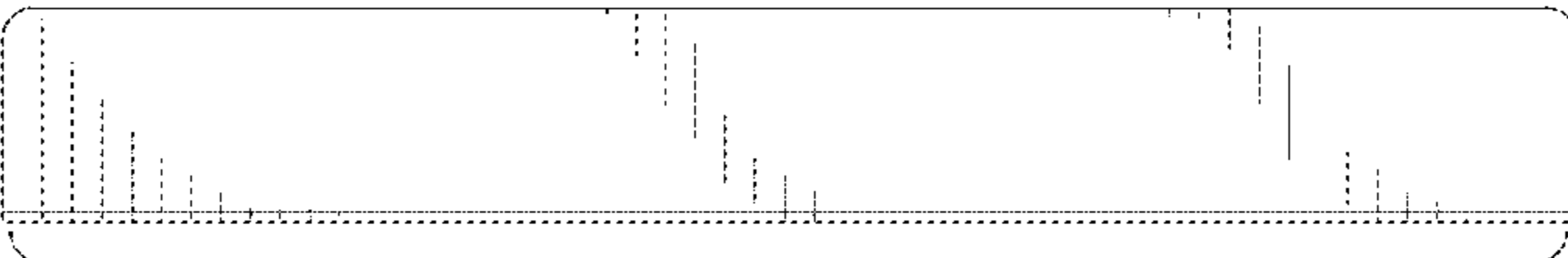


FIG. 3

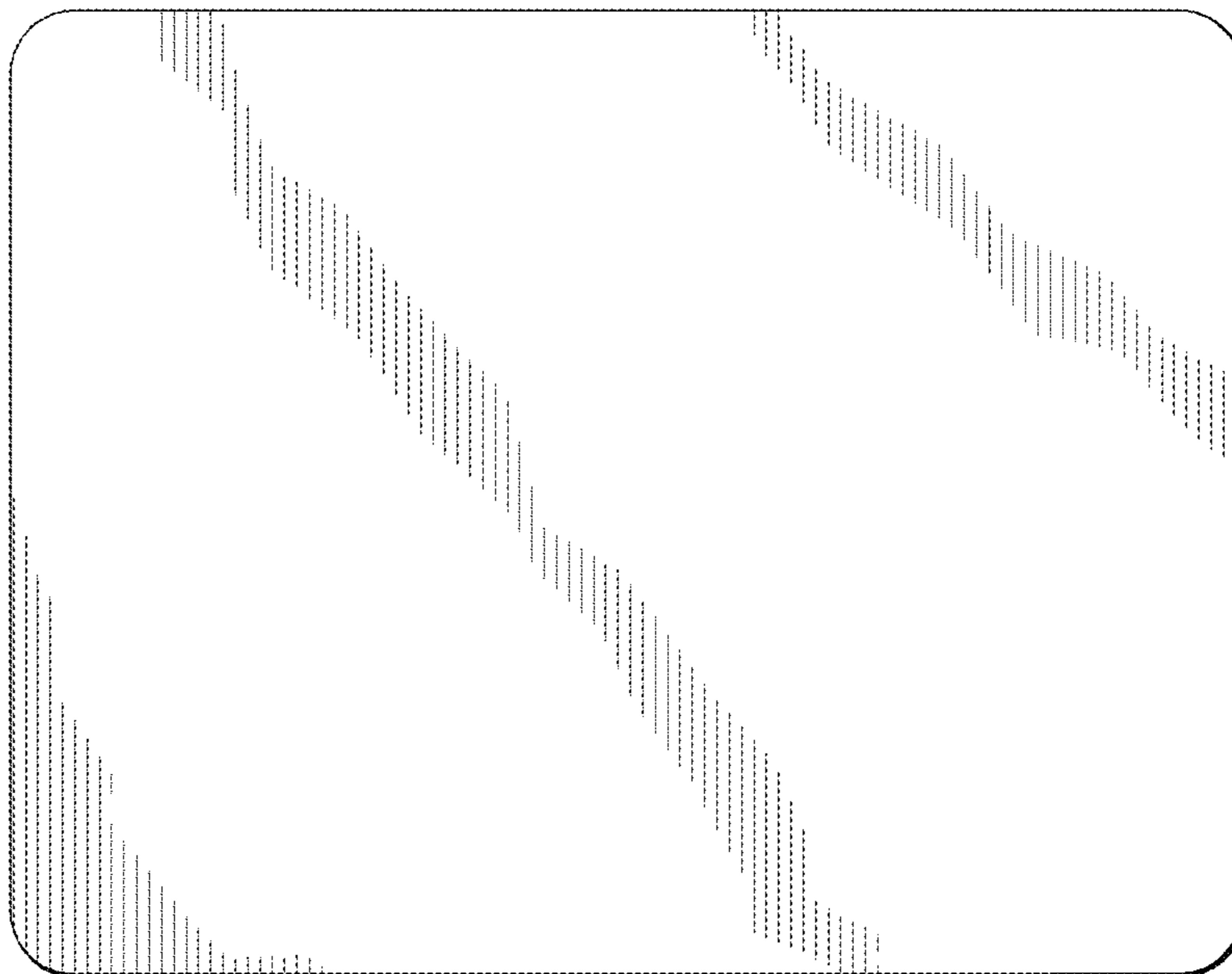


FIG. 4

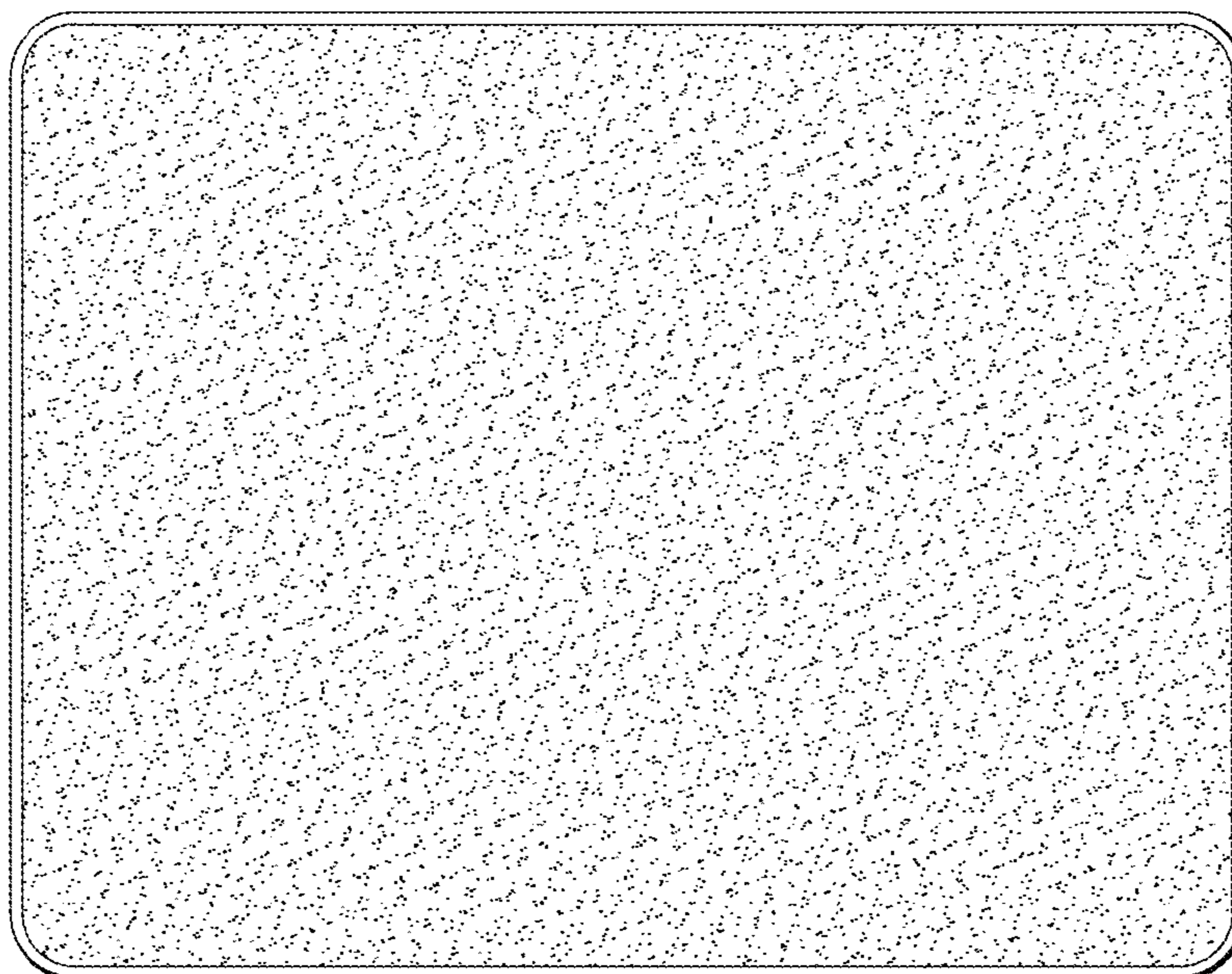


FIG. 5

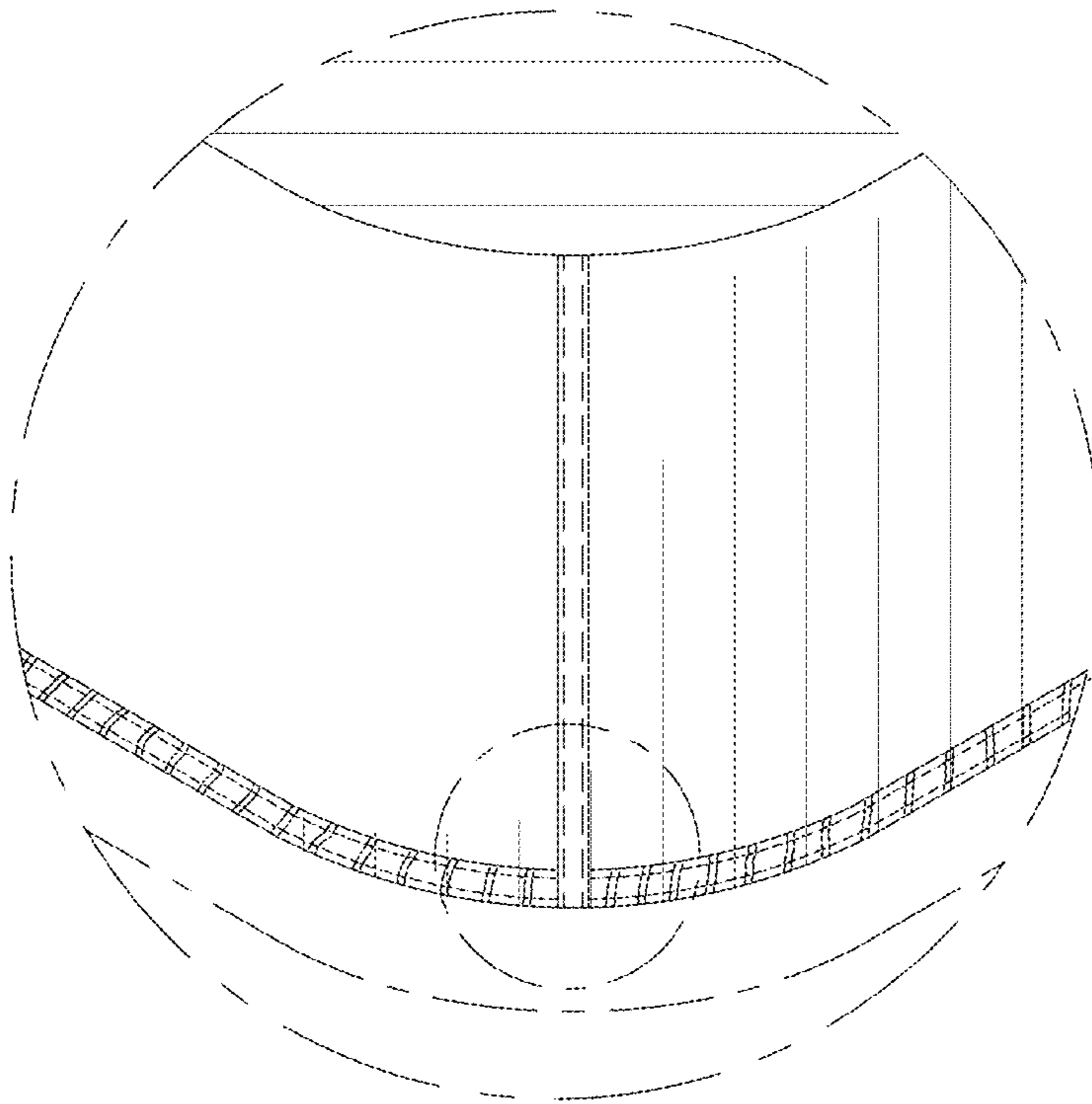


FIG. 6

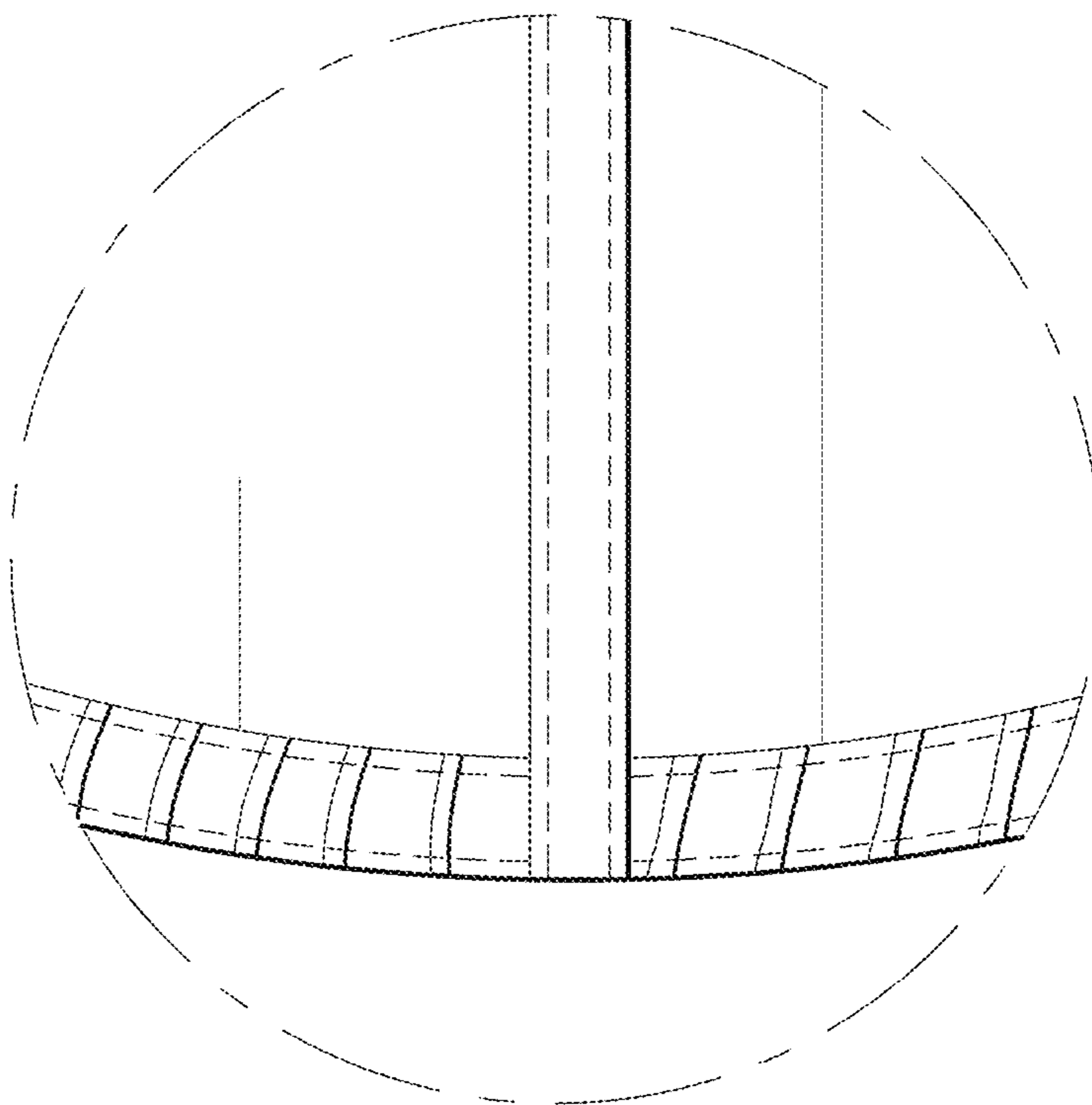


FIG. 7