



US00D691390S

(12) **United States Design Patent**  
**Cunningham et al.**

(10) **Patent No.:** **US D691,390 S**  
(45) **Date of Patent:** **\*\* Oct. 15, 2013**

- (54) **GARDENING CONTAINER**
- (71) Applicant: **Fiskars Brands, Inc.**, Madison, WI (US)
- (72) Inventors: **Daniel Cunningham**, Edgerton, WI (US); **Patrick Clifford**, Wausau, WI (US)
- (73) Assignee: **Fiskars Brands, Inc.**, Madison, WI (US)
- (\*\*) Term: **14 Years**
- (21) Appl. No.: **29/435,125**
- (22) Filed: **Oct. 19, 2012**
- (51) **LOC (9) Cl.** ..... **11-02**
- (52) **U.S. Cl.**  
USPC ..... **D6/556**
- (58) **Field of Classification Search**  
USPC ..... D6/403-405, 556-558; D8/1; D11/143-156, 164; D19/77, 80, 81, 84; D25/100; D26/9-11, 16, 19; D34/1, 2, 4-6; D99/5, 19; 47/17, 32.4, 32.5, 33, 39, 41.01, 47/41.1, 41.11-41.15, 44-47, 65, 65.5, 65.9, 47/66.1, 66.6, 66.7, 67-71  
See application file for complete search history.

- D371,089 S \* 6/1996 Yeung ..... D11/152
- D512,339 S 12/2005 Talmadge
- D513,206 S 12/2005 Talmadge
- D514,018 S 1/2006 Talmadge
- D566,363 S \* 4/2008 Lown et al. .... D34/1
- 7,735,800 B2 6/2010 Lunato et al.
- D644,388 S \* 8/2011 Quan ..... D34/1
- D652,661 S \* 1/2012 Lipfert et al. .... D6/556

\* cited by examiner

*Primary Examiner* — Garth Rademaker  
(74) *Attorney, Agent, or Firm* — Foley & Lardner LLP

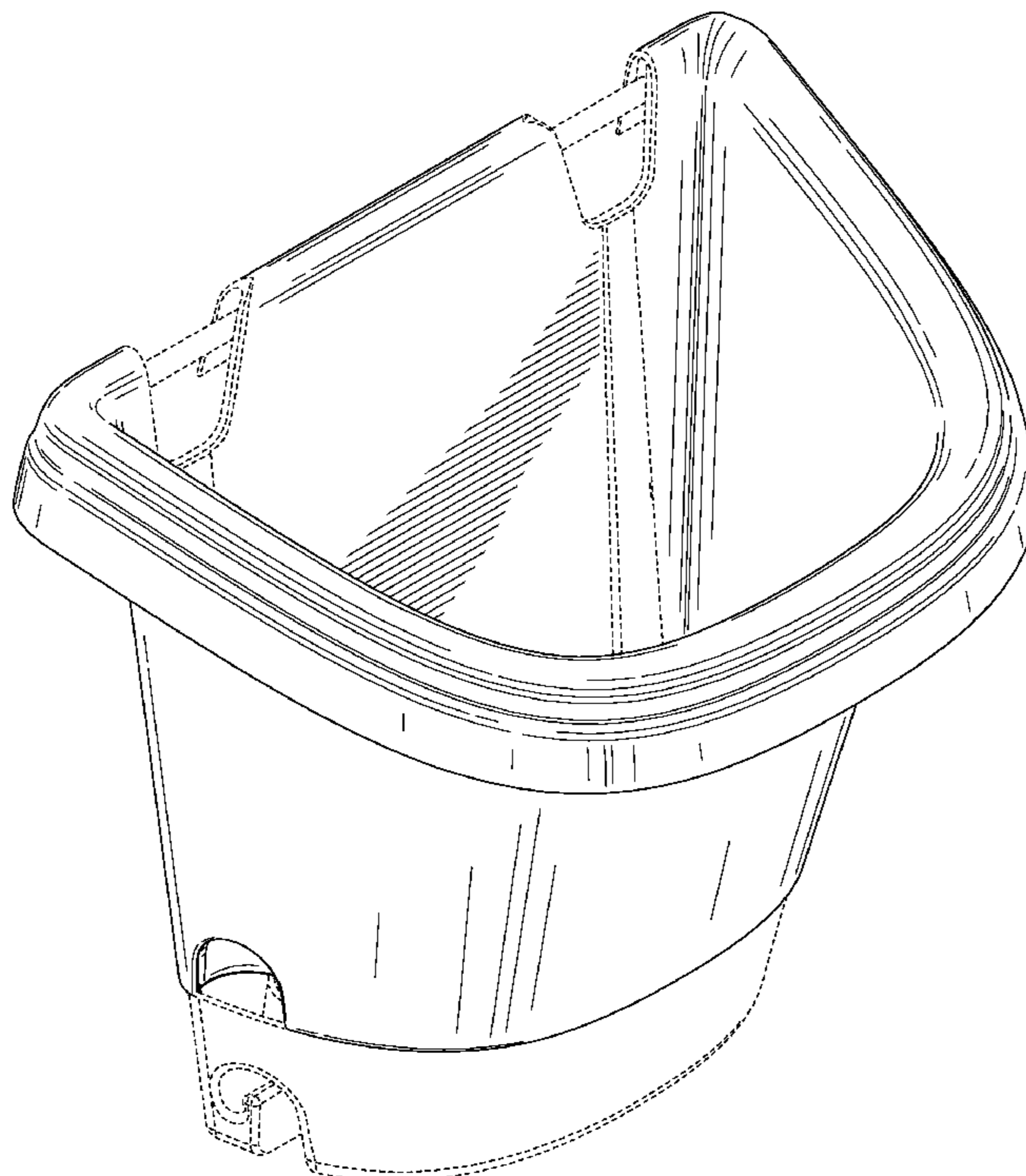
(57) **CLAIM**  
We claim the ornamental design for a gardening container, as shown and described.

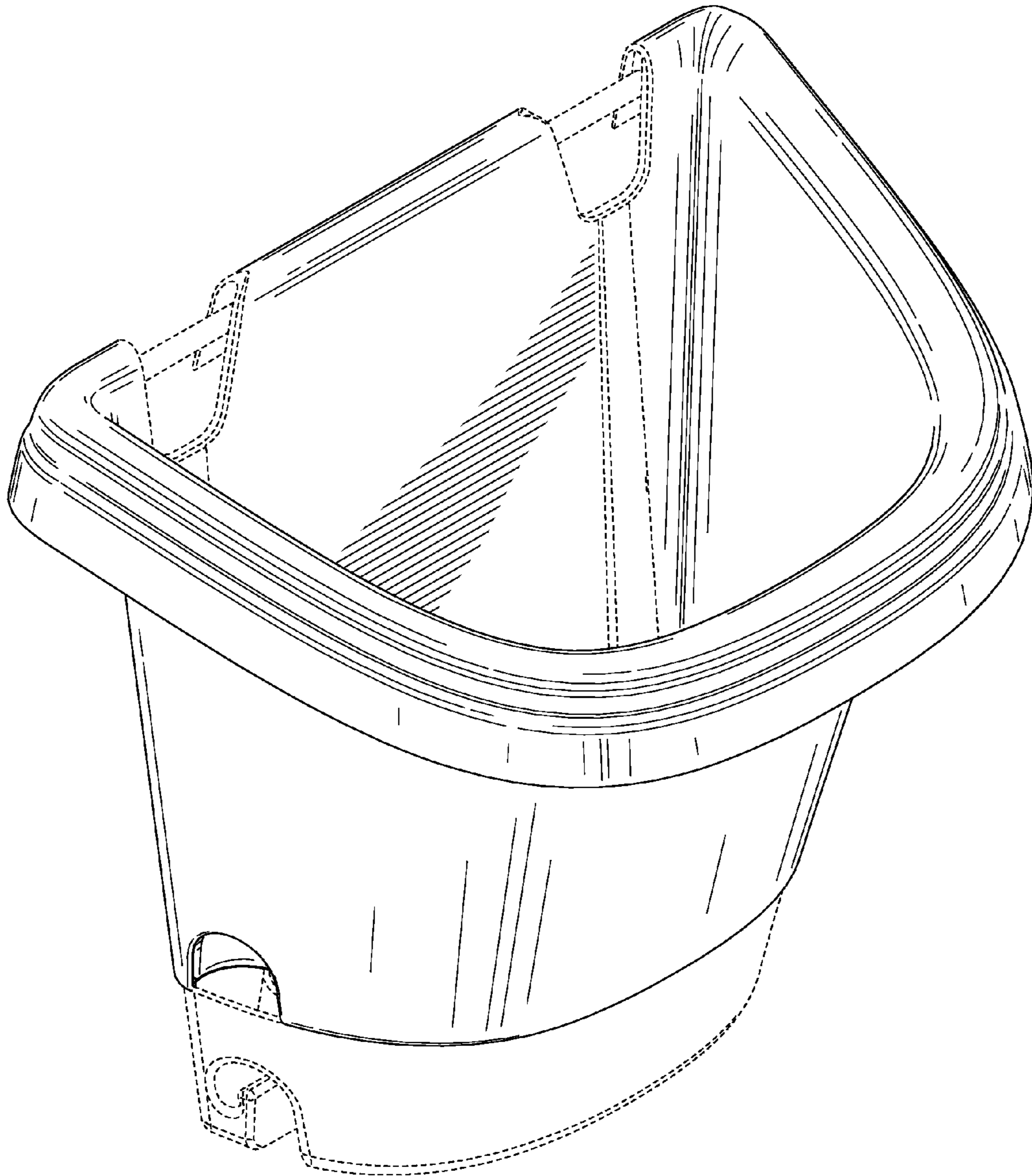
**DESCRIPTION**

FIG. 1 is a top, front, left side perspective view of a gardening container, showing the claimed design;  
FIG. 2 is a front view thereof;  
FIG. 3 is a rear view thereof;  
FIG. 4 is a left side view thereof;  
FIG. 5 is a right side view thereof;  
FIG. 6 is a top view thereof;  
FIG. 7 is a bottom view thereof;  
FIG. 8 is a top, front, right side perspective view thereof;  
FIG. 9 is a bottom, front, left side perspective view thereof;  
and,  
FIG. 10 is a bottom, front, right side perspective view thereof.  
The broken lines in the drawings illustrate portions of the gardening container which form no part of the claimed design.

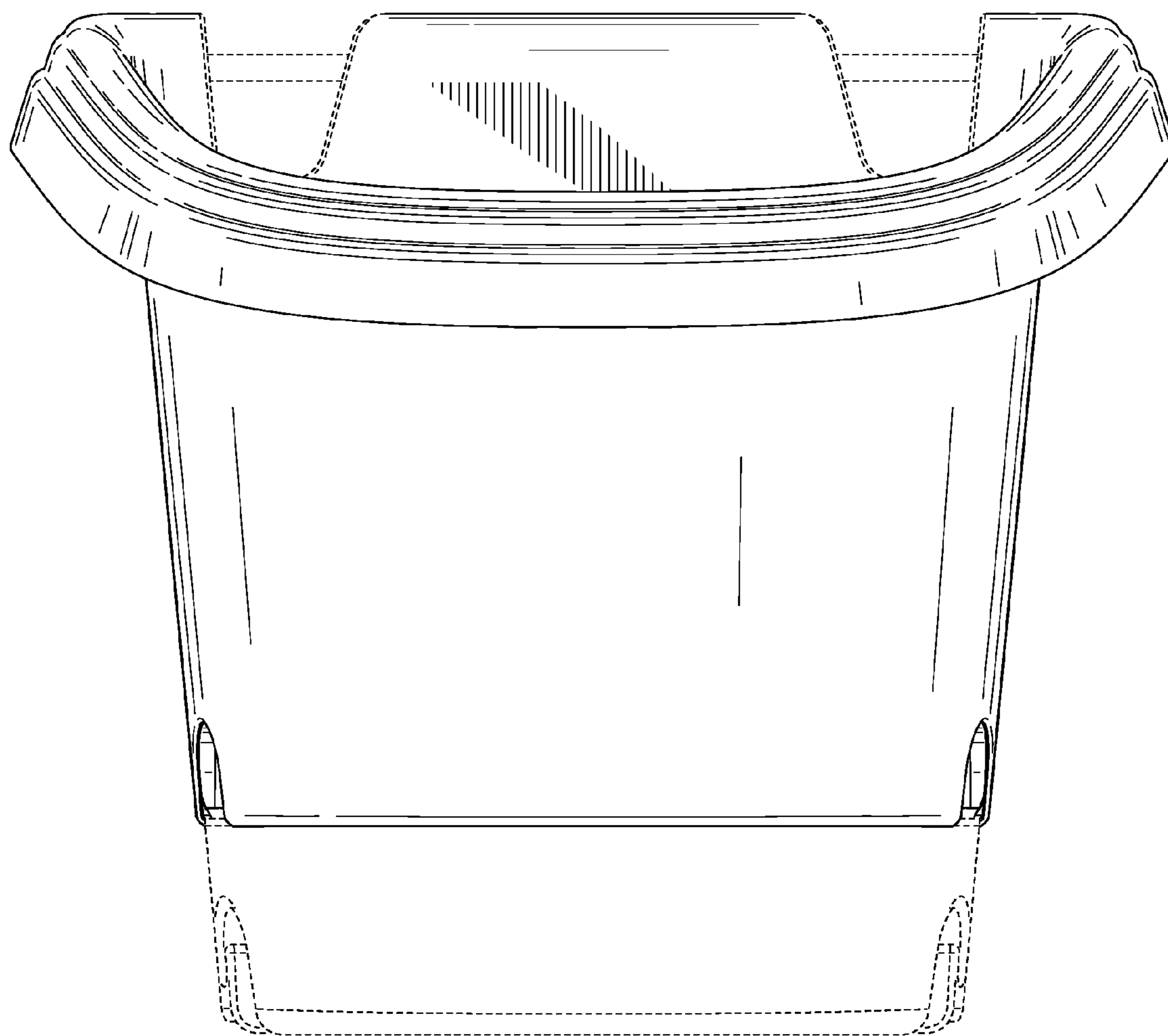
- (56) **References Cited**  
**U.S. PATENT DOCUMENTS**  
2,633,278 A \* 3/1953 Muniz ..... 224/411  
4,658,541 A \* 4/1987 Haile ..... D11/143  
D297,601 S \* 9/1988 Grossman et al. .... D6/556  
D324,122 S \* 2/1992 Brusing ..... D34/1  
D355,791 S \* 2/1995 Briley ..... D11/143

**1 Claim, 10 Drawing Sheets**

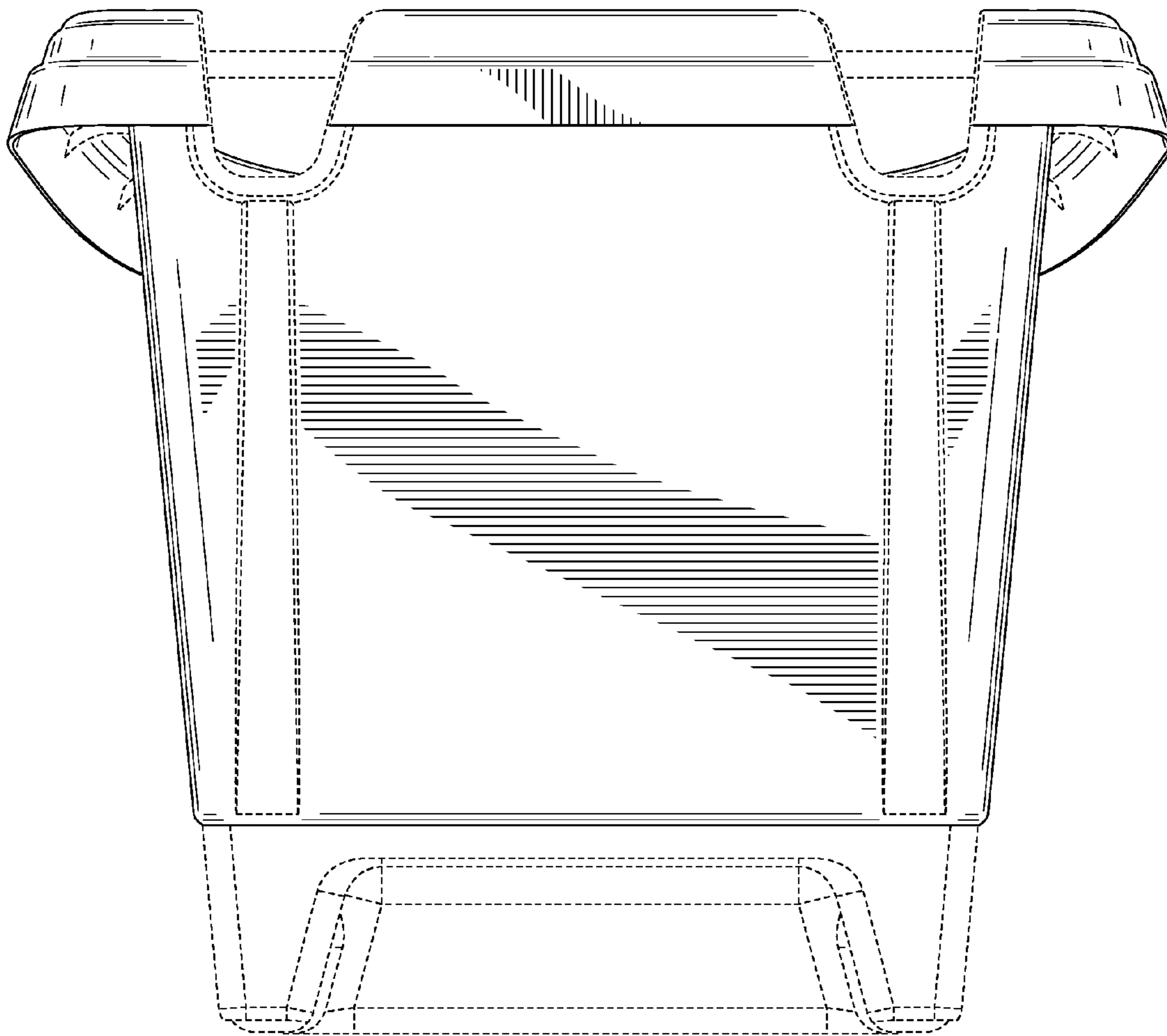




**FIG. 1**



**FIG. 2**



**FIG. 3**

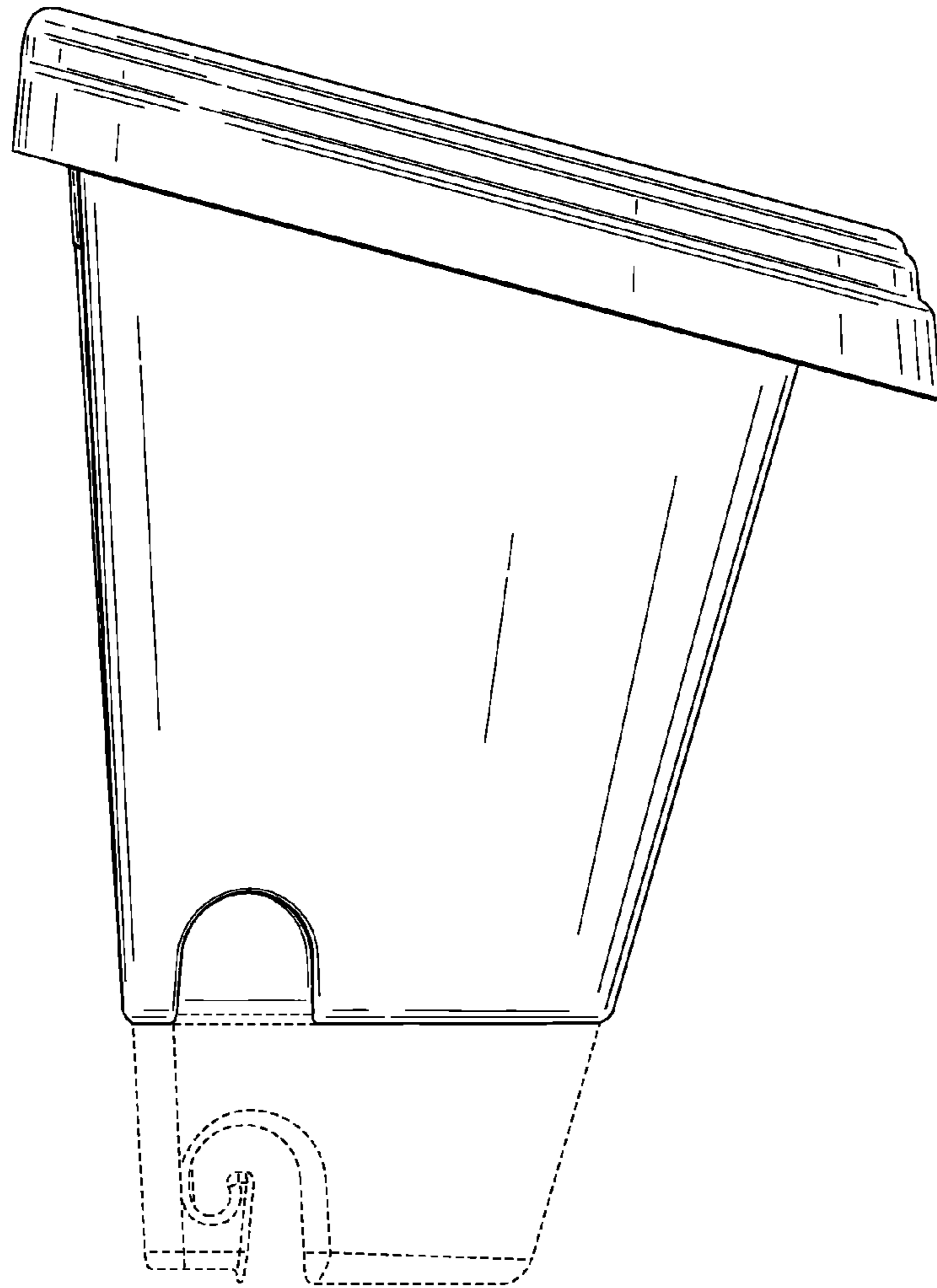


FIG. 4



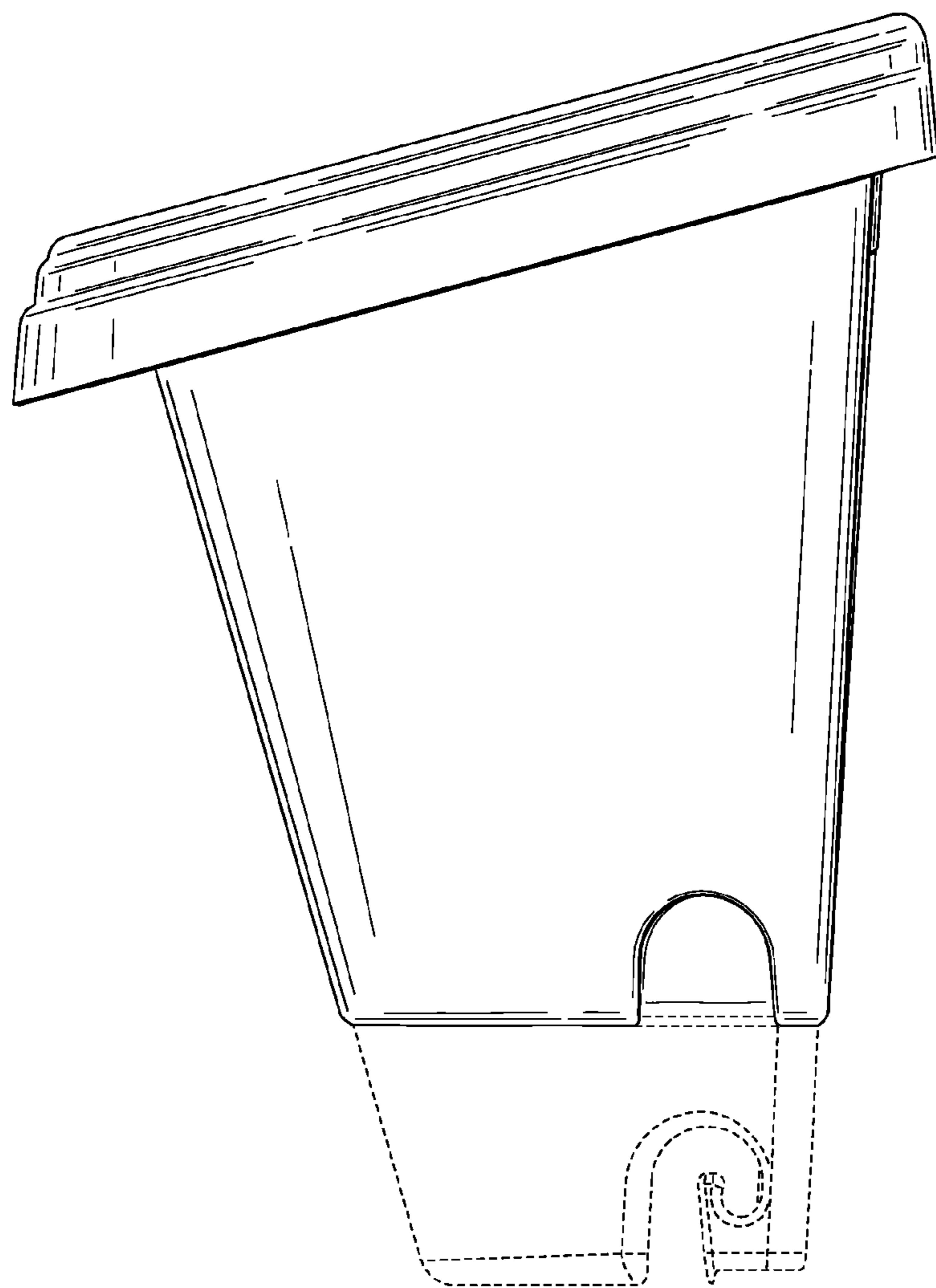


FIG. 5

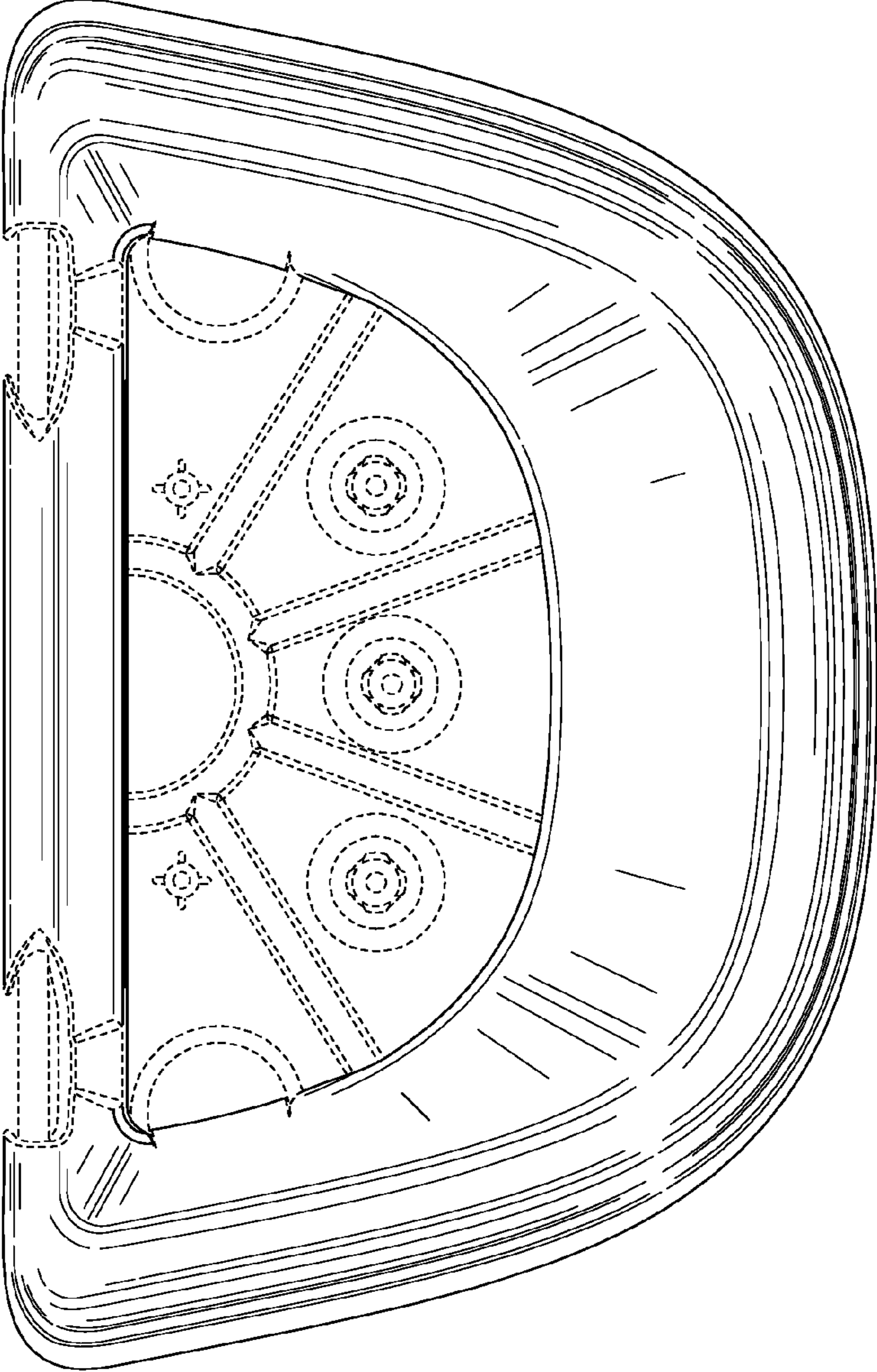


FIG. 6

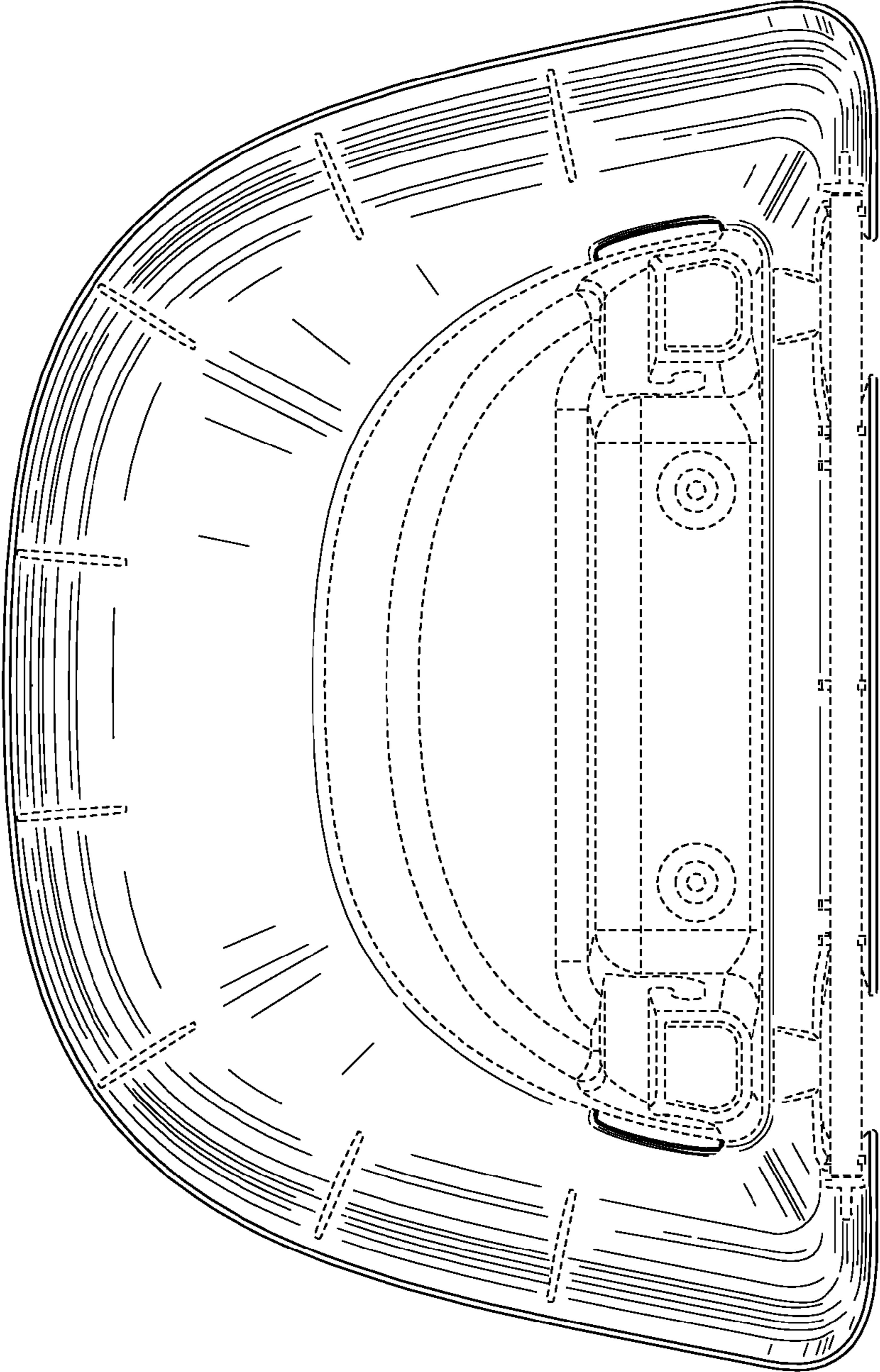
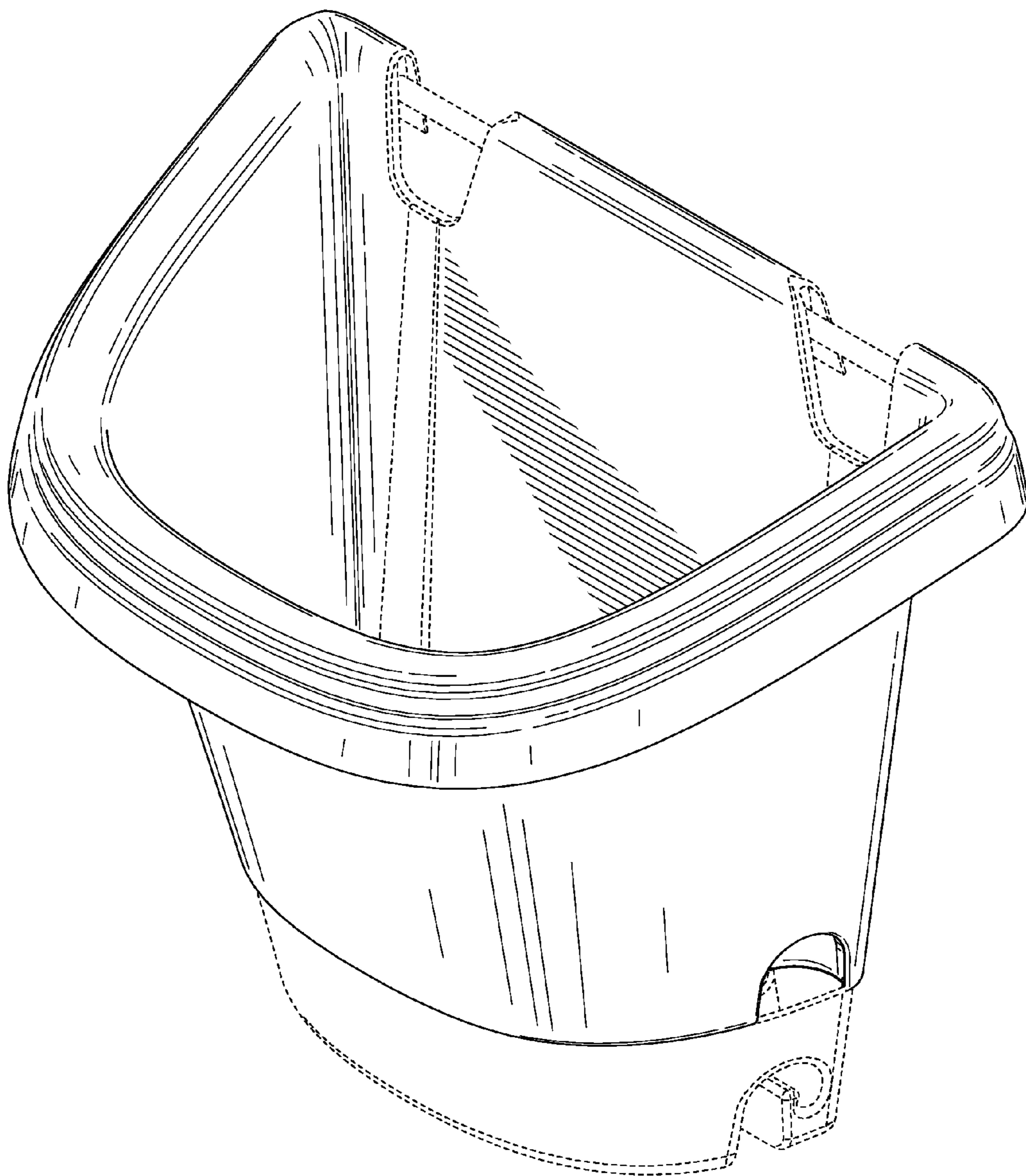


FIG. 7





**FIG. 8**

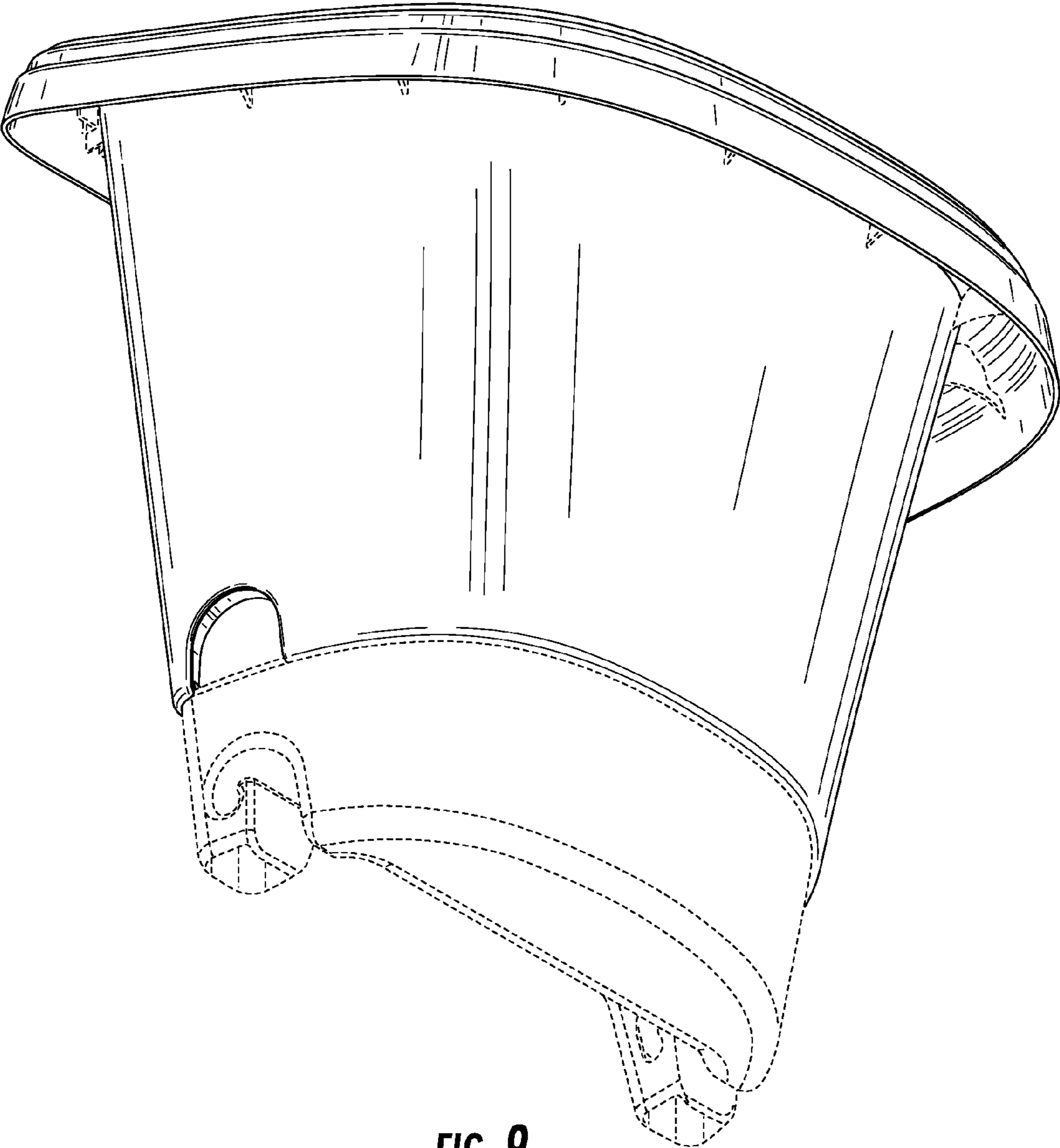
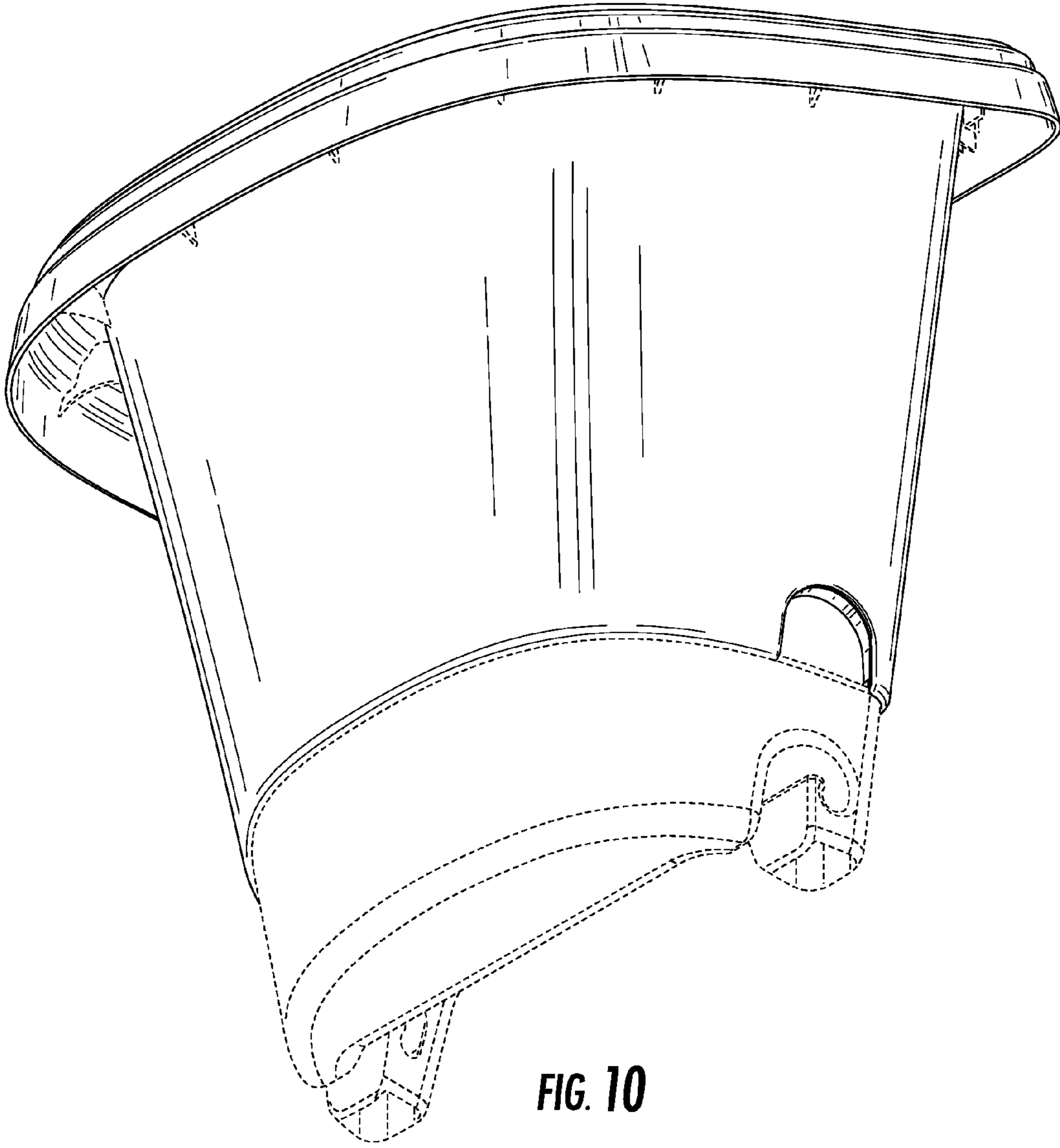


FIG. 9



**FIG. 10**