



US00D691389S

(12) **United States Design Patent**
Snider

(10) **Patent No.:** **US D691,389 S**
(45) **Date of Patent:** **** Oct. 15, 2013**

(54) **TOILET TISSUE HOLDER WITH
ADJUSTABLE SHELF**

(71) Applicant: **MSA Products, Inc.**, Nyack, NY (US)

(72) Inventor: **Martin Snider**, New City, NY (US)

(73) Assignee: **MSA Products, Inc.**, Nyack, NY (US)

(**) Term: **14 Years**

(21) Appl. No.: **29/444,212**

(22) Filed: **Jan. 28, 2013**

(51) **LOC (9) Cl.** **20-02**

(52) **U.S. Cl.**
USPC **D6/519**

(58) **Field of Classification Search**
USPC D6/512-525, 546-550; D8/300,
D8/315-321, 354, 363, 373, 380;
108/28-29; 211/13.1, 16, 60.1, 86.01,
211/88.01, 88.04, 100, 105.1, 105.2, 123,
211/126.1, 133.6, 134, 181.1, 182;
248/176, 176.1, 200, 251, 302, 309.1;
242/242, 570, 590, 595-598; 206/389,
206/557

See application file for complete search history.

(56) **References Cited**

U.S. PATENT DOCUMENTS

D461,669	S	*	8/2002	Cheng	D6/523
D476,835	S	*	7/2003	Lai	D6/523
D508,355	S	*	8/2005	Lau et al.	D6/523
6,988,691	B1	*	1/2006	Lai	D6/520
D520,281	S	*	5/2006	Lin	D6/523
D573,822	S	*	7/2008	Yang et al.	D6/523
D642,410	S	*	8/2011	Vaults, Jr.	D6/524

* cited by examiner

Primary Examiner — Brian N Vinson

(74) *Attorney, Agent, or Firm* — Gerald E. Hespos; Michael J. Porco; Matthew T. Hespos

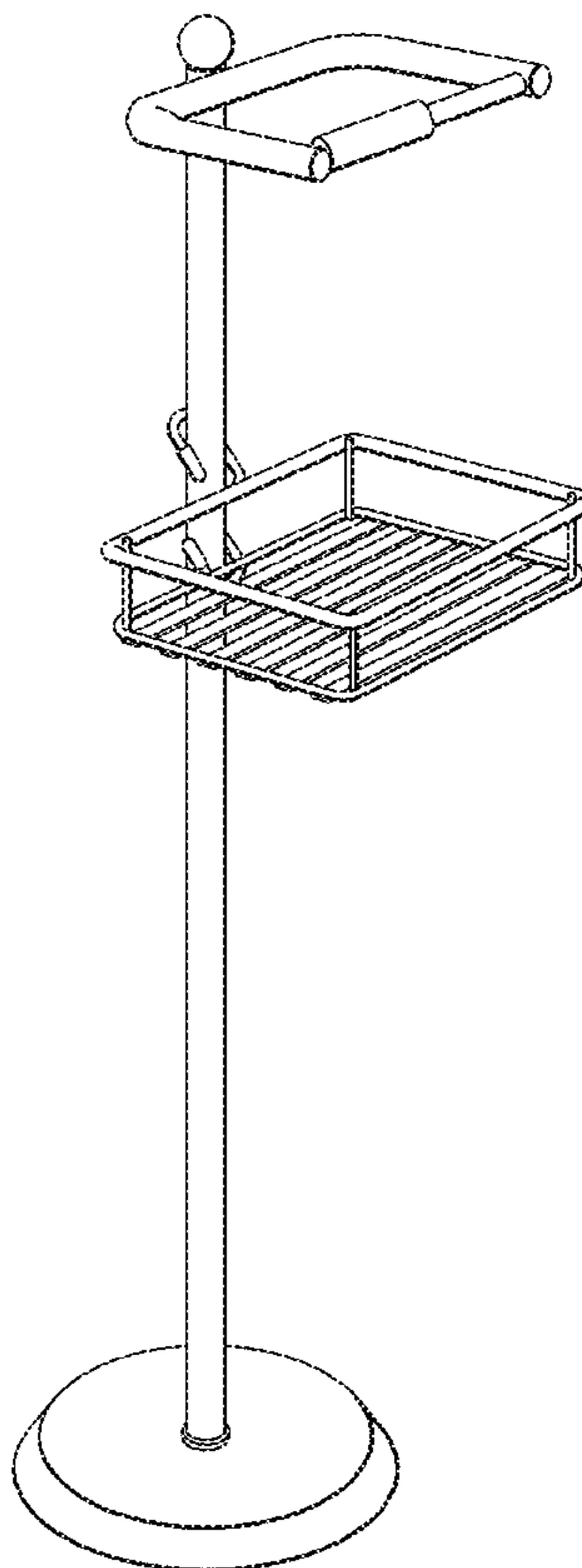
(57) **CLAIM**

The ornamental design for a toilet tissue holder with adjustable shelf, as shown and described.

DESCRIPTION

FIG. 1 is a perspective view of a toilet tissue holder with adjustable shelf in accordance with my design.
FIG. 2 is a top plan view thereof;
FIG. 3 is a front elevational view thereof;
FIG. 4 is a side elevational view thereof as viewed from the left side of FIG. 1;
FIG. 5 is a side elevational view thereof as viewed from the right side of FIG. 1;
FIG. 6 is a rear elevational view thereof; and,
FIG. 7 is a bottom plan view thereof.

1 Claim, 4 Drawing Sheets



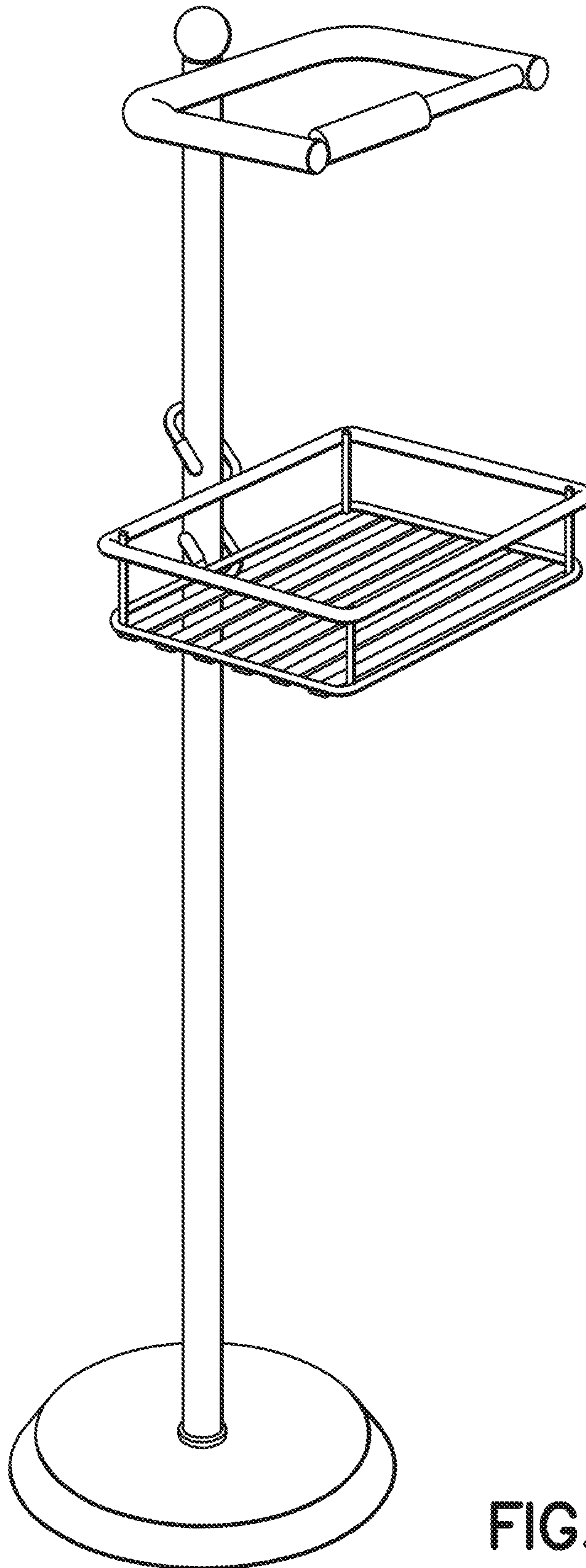


FIG. 1

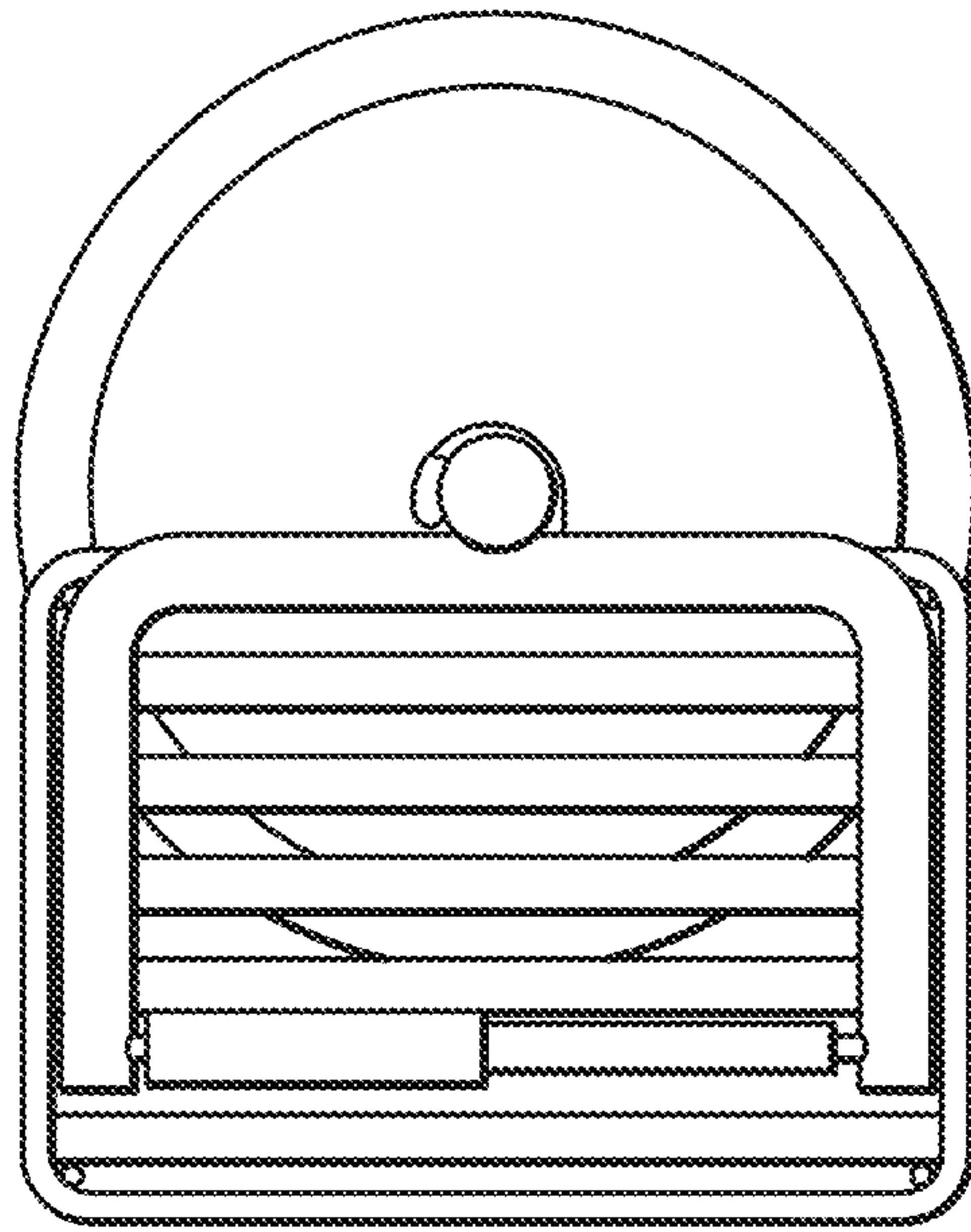


FIG. 2

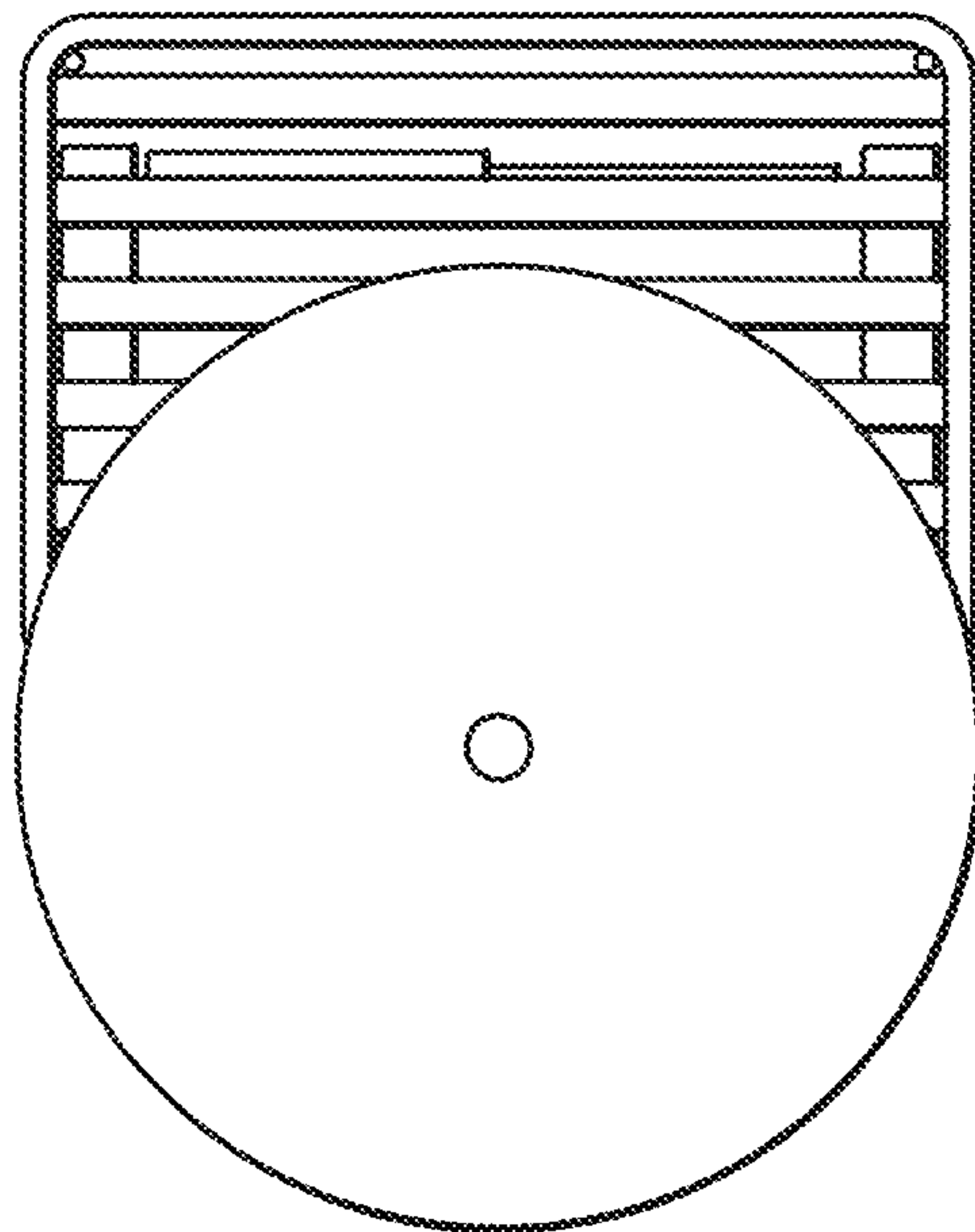


FIG. 7

