

US00D691388S

(12) **United States Design Patent**  
**Thomas**

(10) **Patent No.:** **US D691,388 S**  
(45) **Date of Patent:** **\*\* Oct. 15, 2013**

(54) **FRAME SYSTEM FOR A FLOWER ARRANGEMENT**

(71) Applicant: **Pam Thomas**, Fredericksburg, VA (US)

(72) Inventor: **Pam Thomas**, Fredericksburg, VA (US)

(\*\*) Term: **14 Years**

(21) Appl. No.: **29/438,374**

(22) Filed: **Nov. 29, 2012**

(51) **LOC (9) Cl.** ..... **11-02**

(52) **U.S. Cl.**  
USPC ..... **D6/403**

(58) **Field of Classification Search**  
USPC ..... D6/403-405, 556-558; D8/1;  
D11/143-156, 164; D19/77, 80, 81,  
D19/84; D25/100; D26/9-11, 16, 19;  
D34/1, 2, 4-6; D99/5, 19; 47/17, 32.4,  
47/32.5, 33, 39, 41.01, 41.1, 41.11-41.15,  
47/44-47, 65, 65.5, 65.9, 66.1, 66.6, 66.7,  
47/67-71

See application file for complete search history.

(56) **References Cited**

**U.S. PATENT DOCUMENTS**

425,745 A	4/1890	Brown	
548,508 A	10/1895	Bjelland	
D36,086 S *	9/1902	Olsen	D6/403
D57,843 S *	5/1921	Knowles	D6/403
D71,575 S *	12/1926	Cartwright	D6/403
D76,321 S *	9/1928	Paull	D11/153

1,730,285 A	10/1929	Nichols et al.	
D81,436 S *	6/1930	Dew et al.	D6/403
2,001,646 A *	5/1935	Abitsch	D11/143
D228,007 S *	7/1973	Fletcher	D11/164
D250,686 S *	1/1979	Ashcraft	D11/143
4,631,861 A	12/1986	Wuthrich	
5,349,739 A	9/1994	Weder	
5,913,728 A	6/1999	Bal	
D449,180 S *	10/2001	Blake	D6/403
D490,746 S *	6/2004	Broel	D11/146
D497,494 S *	10/2004	Tseng	D6/403
D559,008 S *	1/2008	Knight	D6/403
D580,679 S *	11/2008	Broel	D6/405
2006/0272209 A1	12/2006	Hart	

\* cited by examiner

*Primary Examiner* — Garth Rademaker

(74) *Attorney, Agent, or Firm* — Montgomery Patent & Design; Robert C Montgomery

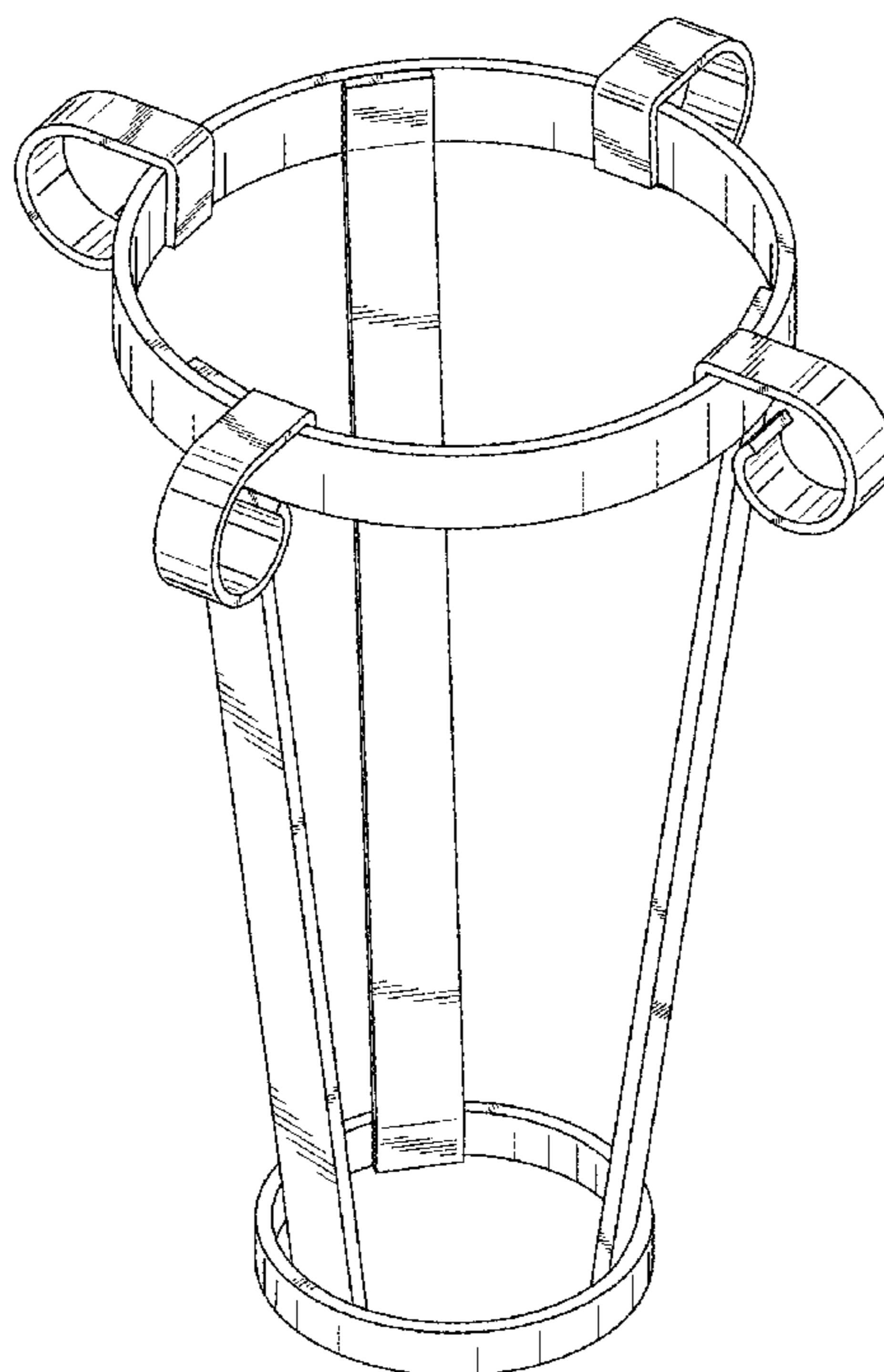
(57) **CLAIM**

The ornamental design for a frame system for a flower arrangement, as shown and described.

**DESCRIPTION**

FIG. 1 is a perspective view of a frame system for a flower arrangement, showing my new design;  
FIG. 2 is a front view thereof;  
FIG. 3 is a rear view thereof;  
FIG. 4 is a left view thereof;  
FIG. 5 is a right view thereof;  
FIG. 6 is a top view thereof; and,  
FIG. 7 is a bottom view thereof.

**1 Claim, 7 Drawing Sheets**



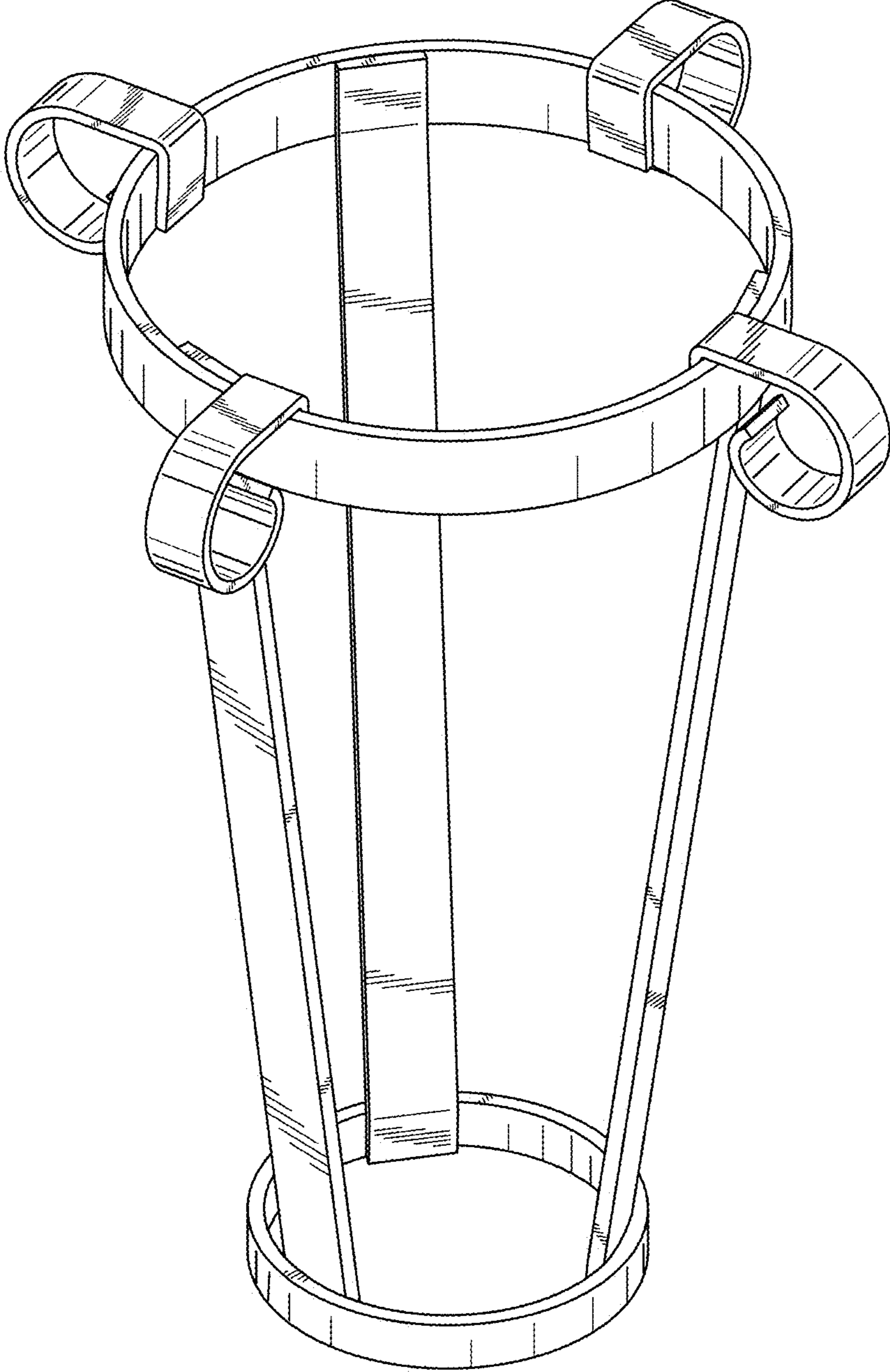


Fig. 1

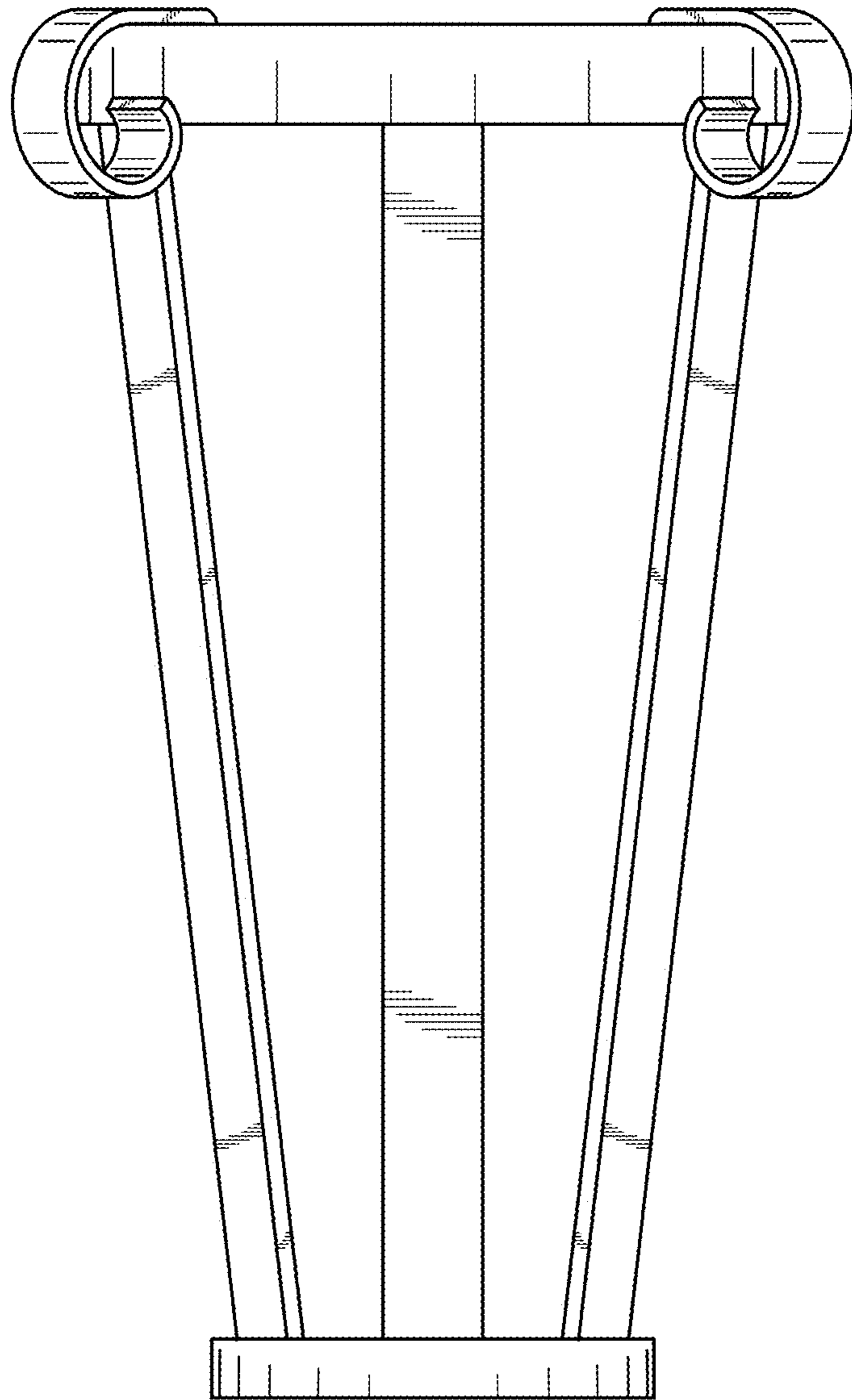


Fig. 2

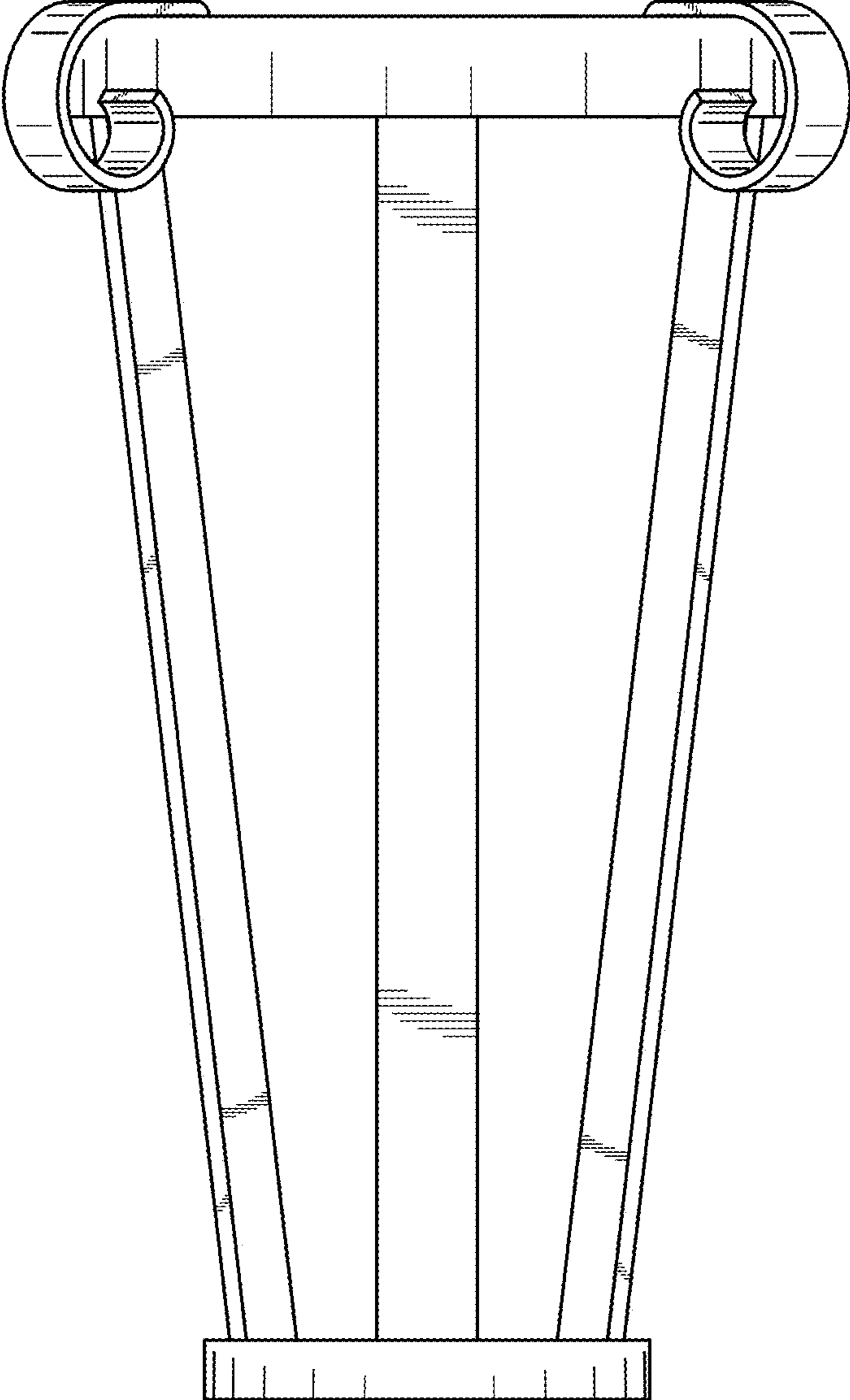


Fig. 3

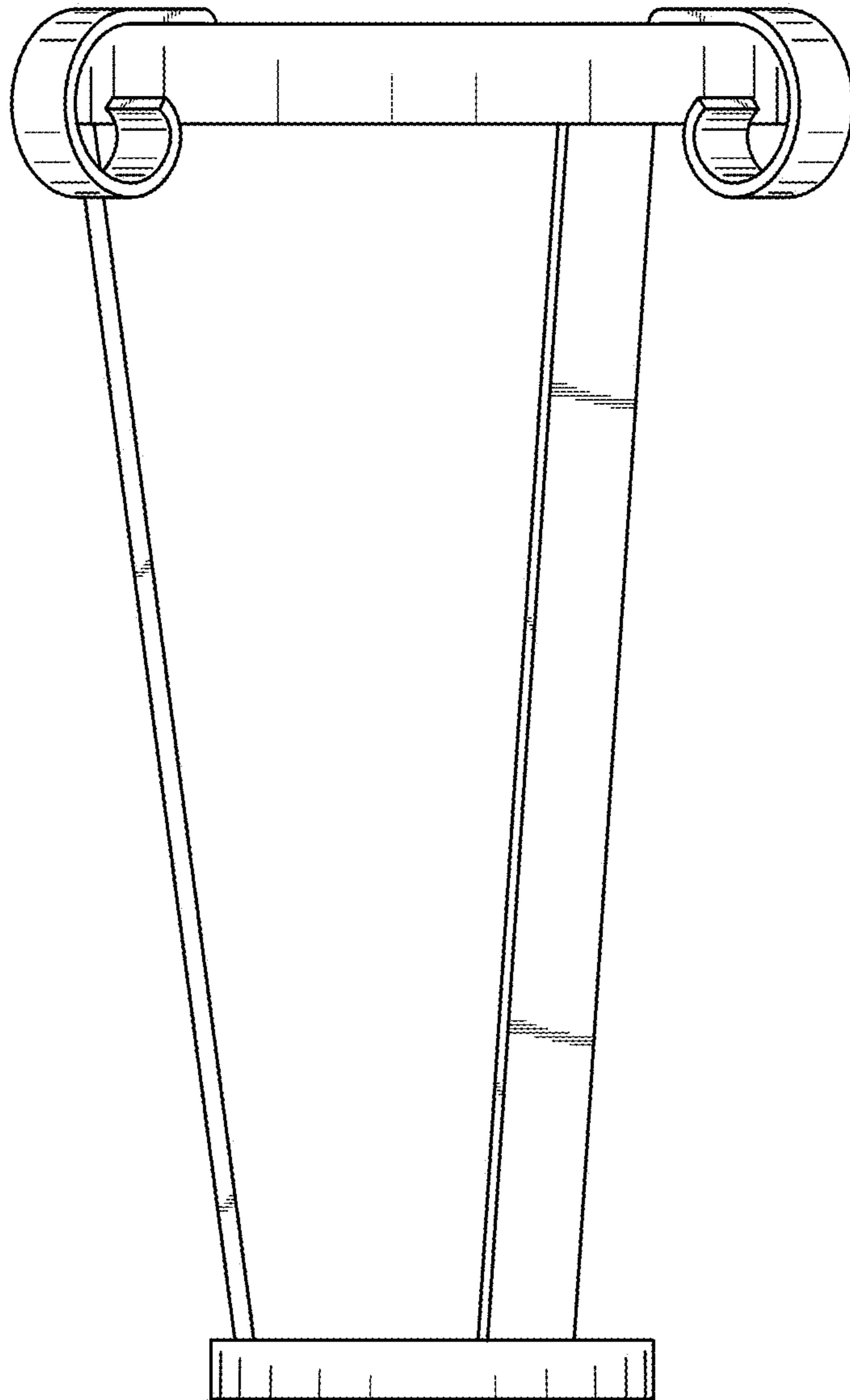


Fig. 4

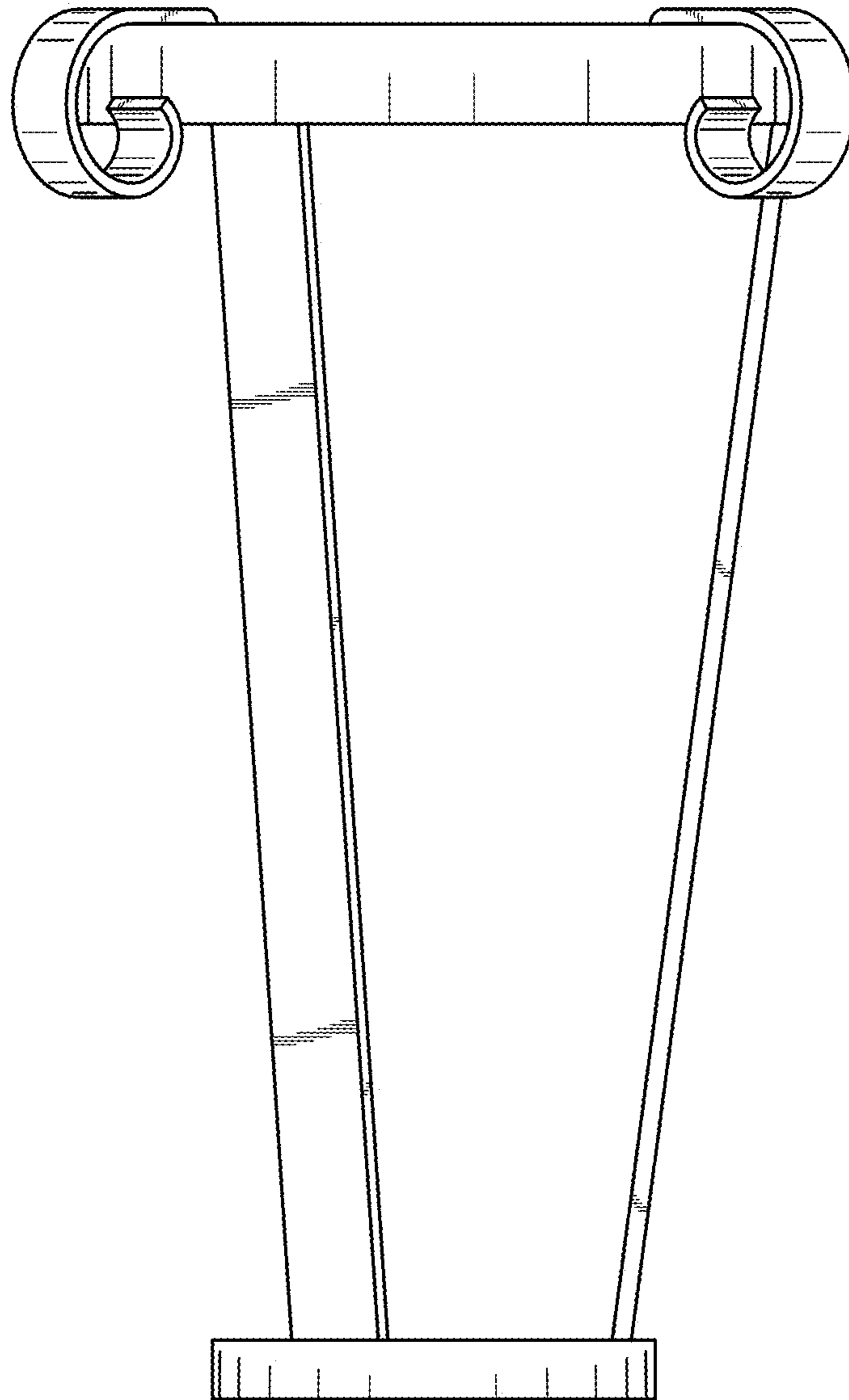


Fig. 5



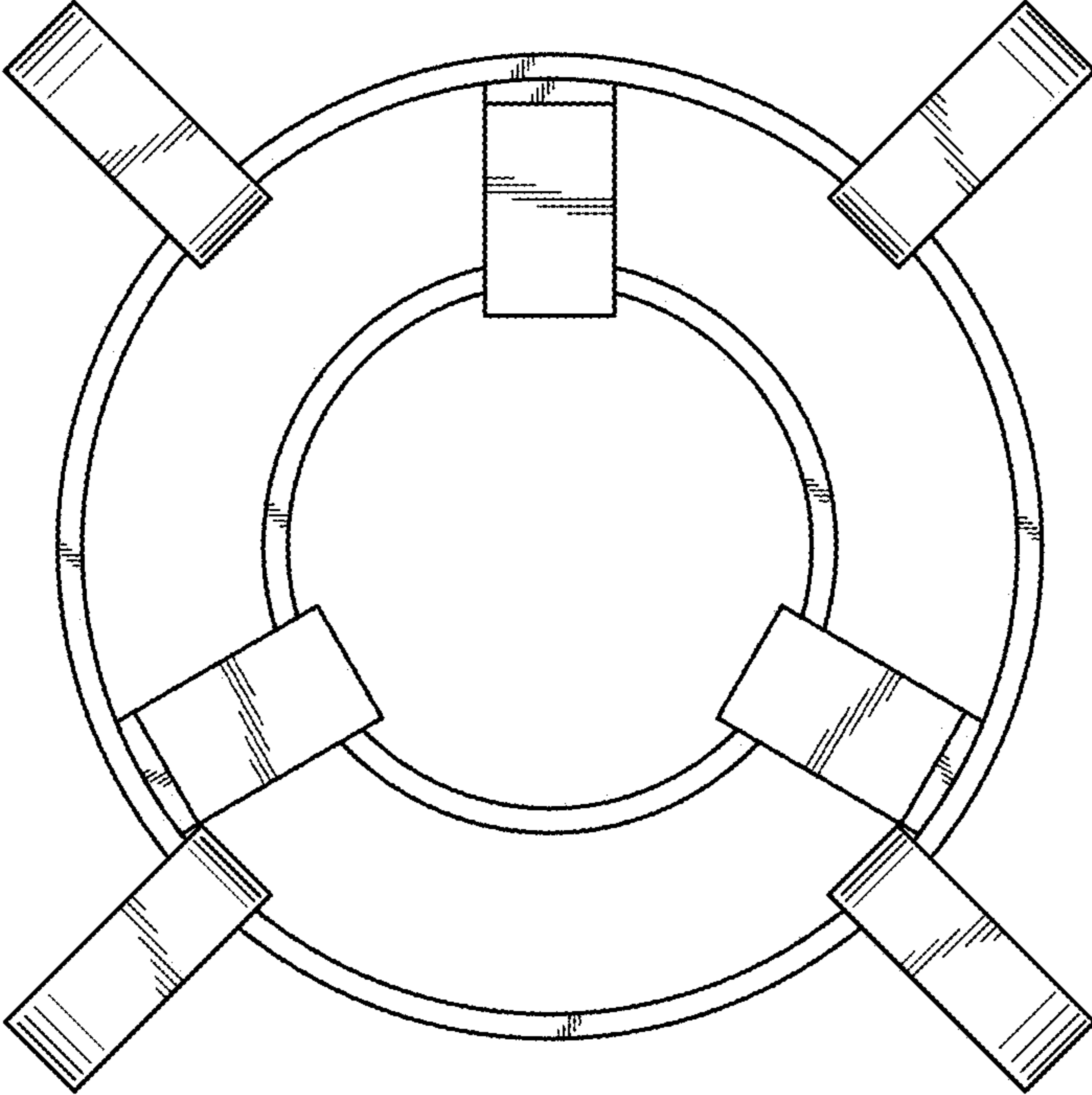


Fig. 6

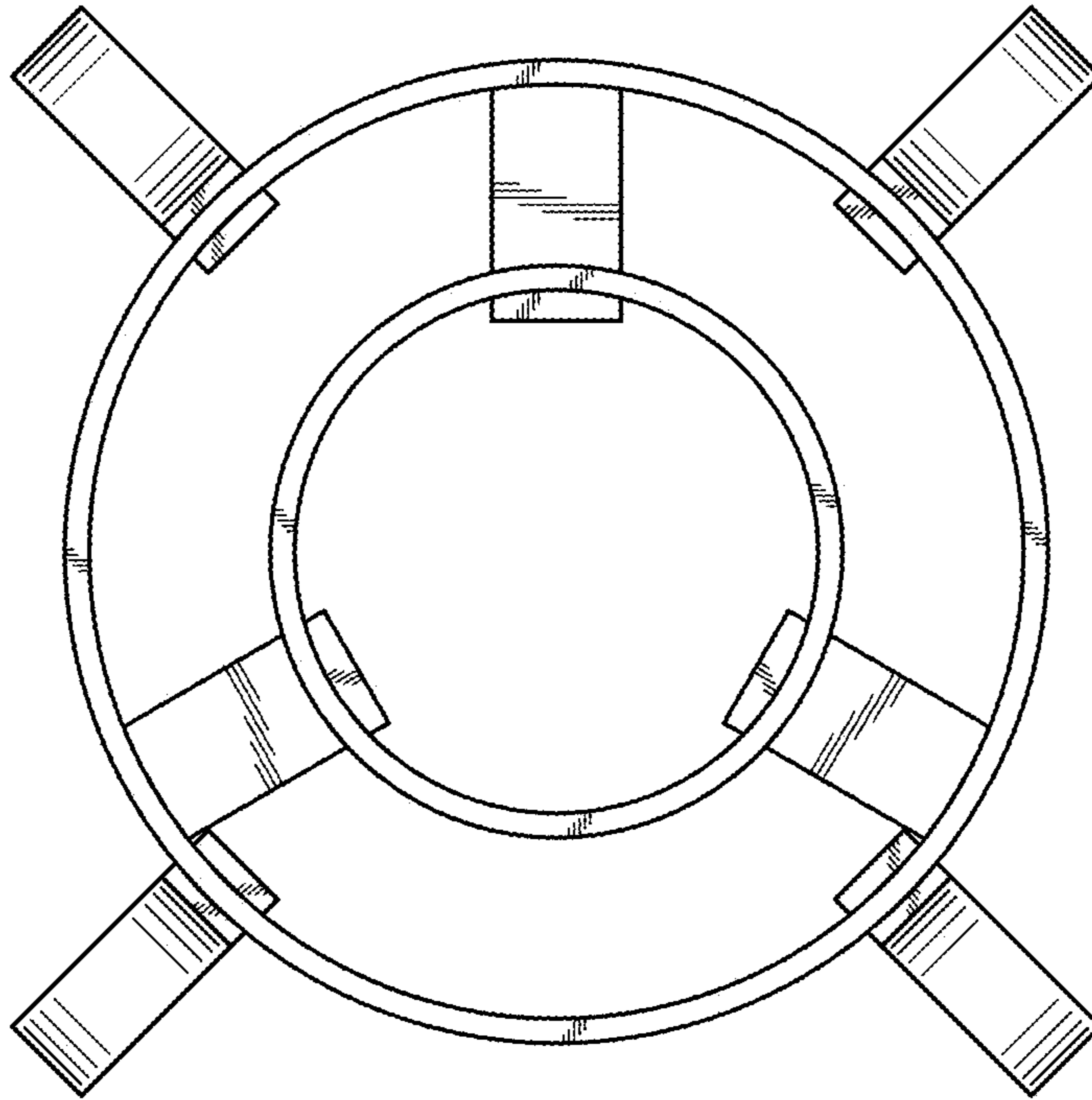


Fig. 7