

US00D691384S

(12) **United States Design Patent**
Akkad

(10) **Patent No.:** **US D691,384 S**
(45) **Date of Patent:** **** Oct. 15, 2013**

- (54) **FOLDABLE CHAIR**
- (71) Applicant: **Idea Nuova, Inc.**, New York, NY (US)
- (72) Inventor: **Benjamin S. Akkad**, New York, NY (US)
- (73) Assignee: **Idea Nuova**, New York, NY (US)
- (**) Term: **14 Years**
- (21) Appl. No.: **29/434,983**
- (22) Filed: **Oct. 18, 2012**
- (51) **LOC (9) Cl.** **06-01**
- (52) **U.S. Cl.**
USPC **D6/368**
- (58) **Field of Classification Search**
USPC D6/334-336, 368, 371-373, 374,
D6/375, 376, 716, 716.1, 716.2, 716.3, 716.4;
297/16.1, 16.2, 31, 34, 45, 46, 47, 50, 56,
297/440.11, 452.12, 452.13
See application file for complete search history.

- 2,713,890 A 7/1955 Mack
- 2,733,755 A 2/1956 Boucher
- D180,210 S 4/1957 Uretsky
- 2,902,084 A 9/1959 Stevens
- D191,786 S * 11/1961 Kaltsas D6/368
- 3,123,396 A 3/1964 Searle
- 3,124,387 A 3/1964 MacLaren
- 3,136,272 A 6/1964 Sprigman
- 3,635,520 A 1/1972 Roher et al.
- 3,838,883 A 10/1974 Machen

(Continued)

FOREIGN PATENT DOCUMENTS

- CN 87201431 U 2/1988
- CN 2103938 U 5/1992

(Continued)

OTHER PUBLICATIONS

Office Action Issued Oct. 18, 2010 in U.S. Appl. No. 12/544,256.

(Continued)

Primary Examiner — Mimoso De
(74) *Attorney, Agent, or Firm* — Panitch Schwarze Belisario & Nadel LLP

(56) **References Cited**

U.S. PATENT DOCUMENTS

- 244,216 A 7/1881 Fenby
- 398,943 A 3/1889 Crandall
- 615,476 A 12/1898 Chapman
- 1,027,692 A 5/1912 Cole
- 1,185,568 A 5/1916 Zeunert
- 1,263,717 A 4/1918 Stone
- 1,443,734 A 1/1923 Clyde
- 1,939,743 A 12/1933 Warner
- 1,942,112 A 1/1934 McQuilkin
- 2,381,574 A 8/1945 Clarin
- 2,473,090 A 6/1949 Becker
- 2,587,543 A 2/1952 Smith
- D171,176 S 12/1953 Yellen
- 2,691,410 A 10/1954 Boucher
- 2,712,349 A 7/1955 LeVoir

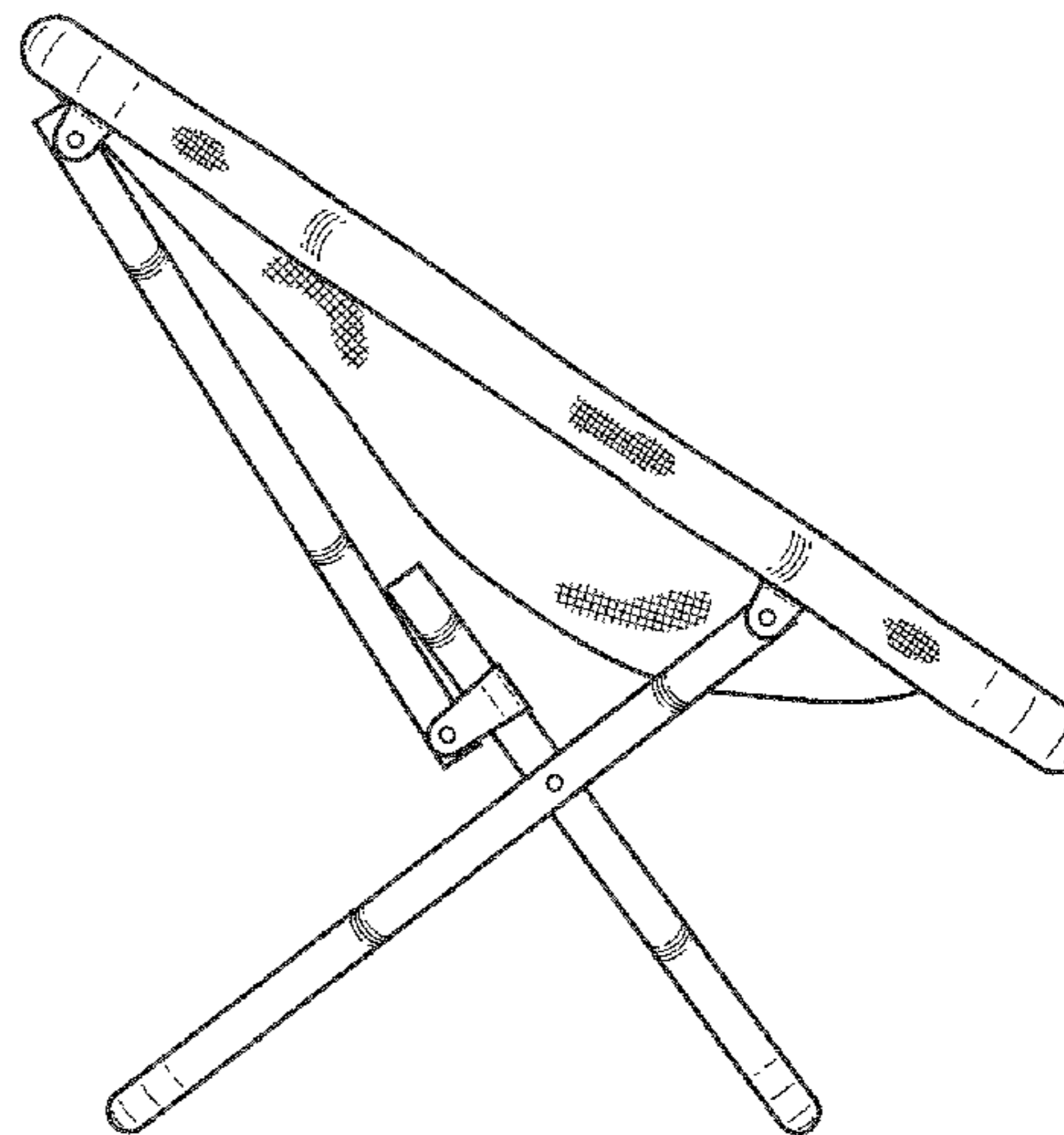
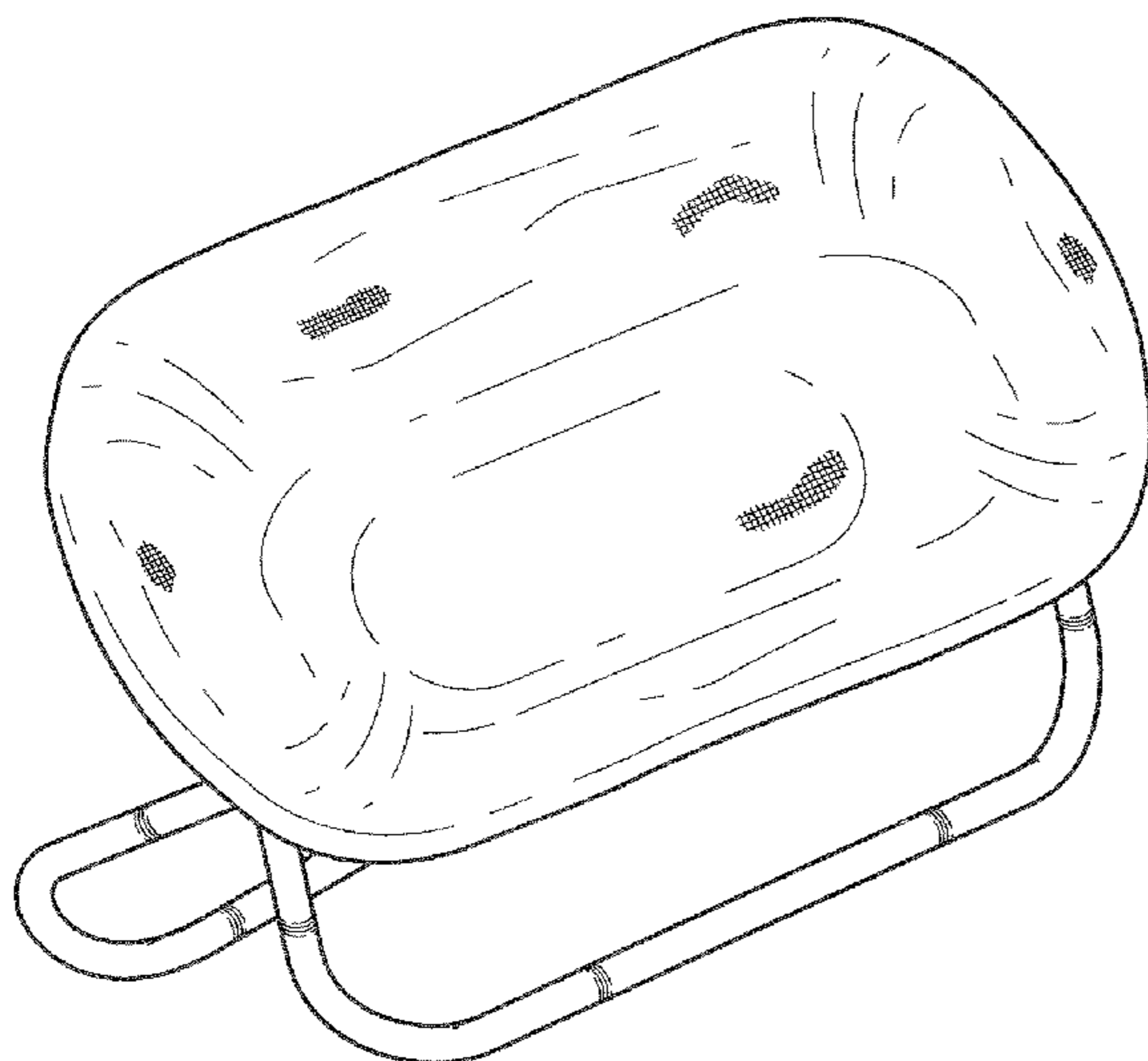
(57) **CLAIM**

The ornamental design for a foldable chair, as shown and described.

DESCRIPTION

FIG. 1 is a front perspective view of a foldable chair in accordance with my/our new design;
FIG. 2 is a front elevational view thereof;
FIG. 3 is a rear elevational view thereof;
FIG. 4 is a right-side elevational view thereof, a left-side elevational view being a mirror image thereof;
FIG. 5 is a top plan view thereof; and,
FIG. 6 is a bottom plan view thereof.

1 Claim, 6 Drawing Sheets



(56)

References Cited

U.S. PATENT DOCUMENTS

3,941,416 A	3/1976	Uchida	6,419,311 B1	7/2002	Tang	
4,045,045 A	8/1977	Boucher et al.	D461,326 S *	8/2002	Bouroullec et al.	D6/368
4,047,752 A	9/1977	Rohr	6,447,057 B1	9/2002	Chen	
4,105,244 A	8/1978	Colby	6,454,348 B1	9/2002	Wu	
4,118,065 A	10/1978	Watkins	6,488,331 B2	12/2002	Chen	
4,193,630 A	3/1980	Steele	6,494,530 B1	12/2002	Zheng	
4,231,582 A	11/1980	Moss	D468,939 S	1/2003	Zheng	
4,258,951 A	3/1981	Groom	6,505,885 B1	1/2003	Tang	
4,290,643 A	9/1981	Logan, III	6,547,322 B2	4/2003	Marx	
D262,674 S	1/1982	Logan, III	6,601,912 B1	8/2003	Chen	
D267,057 S	11/1982	Koehm	6,607,240 B2	8/2003	Zheng	
4,514,009 A	4/1985	Vanderminden et al.	6,629,722 B1	10/2003	Tang	
4,605,261 A	8/1986	Lee	6,634,705 B1	10/2003	Zheng	
4,652,047 A	3/1987	Chan	6,637,811 B2	10/2003	Zheng	
D290,557 S	6/1987	Salvati et al.	6,644,731 B2	11/2003	Tang	
4,671,566 A	6/1987	Knapp et al.	6,669,281 B1	12/2003	Huang	
4,685,725 A	8/1987	Helfrich	6,682,135 B2	1/2004	Zheng	
4,715,650 A	12/1987	Berman et al.	D486,310 S	2/2004	Goldy	
4,717,201 A	1/1988	Barras	6,698,827 B2	3/2004	Le Gette et al.	
4,789,123 A	12/1988	Mattsson	6,702,371 B2	3/2004	Zheng	
4,826,241 A	5/1989	Barras	6,715,824 B2	4/2004	Zheng	
4,867,505 A	9/1989	Parker	6,736,450 B2	5/2004	Miyagi	
4,889,383 A	12/1989	Jones	6,755,462 B2	6/2004	Zheng	
4,934,638 A	6/1990	Davis	6,779,838 B2	8/2004	Chang	
D310,605 S	9/1990	Kwon	6,814,403 B2	11/2004	Zheng	
5,058,950 A	10/1991	Mann	6,817,661 B2	11/2004	Zheng	
5,176,393 A	1/1993	Robertson et al.	6,817,671 B1	11/2004	Zheng	
5,246,265 A	9/1993	Nagan et al.	6,820,927 B2	11/2004	Isom et al.	
5,320,404 A	6/1994	Le Gal	6,824,207 B1	11/2004	Lin	
5,335,967 A	8/1994	Vanderminden, Sr.	6,824,208 B2	11/2004	Zheng	
5,494,333 A	2/1996	Wilson	6,824,210 B2	11/2004	Zheng	
5,499,857 A	3/1996	Lynch, Jr.	6,824,258 S *	12/2004	Tseng	D6/368
5,522,642 A	6/1996	Herzog	D500,605 S	1/2005	Schmidt et al.	
5,580,129 A	12/1996	Findlay	6,840,574 B1	1/2005	Wu	
D380,306 S	7/1997	Lin	6,848,740 B1	2/2005	Reese	
D382,126 S	8/1997	Lee	D503,554 S	4/2005	Kay	
D382,414 S	8/1997	Lee	6,899,383 B2	5/2005	Hwang	
5,718,473 A	2/1998	Lynch, Jr.	D507,892 S	8/2005	Zheng	
5,848,822 A	12/1998	Wu	6,926,355 B2	8/2005	Le Gette et al.	
5,893,605 A	4/1999	Chang	6,926,356 B2	8/2005	Chen	
D411,387 S	6/1999	Zheng	6,938,951 B1 *	9/2005	Tseng	297/56
5,979,976 A	11/1999	Ferencik	6,957,852 B1	10/2005	Hsieh	
5,984,406 A	11/1999	Lee	D515,830 S	2/2006	Zheng	
6,045,177 A	4/2000	Grace	6,997,634 B2	2/2006	Zheng	
6,056,354 A	5/2000	Tseng	7,000,983 B1	2/2006	Tsai	
6,082,813 A	7/2000	Chen	D516,825 S	3/2006	Zheng	
6,095,607 A	8/2000	Wenzel	D516,826 S	3/2006	Zheng	
6,112,757 A	9/2000	Tseng	D517,819 S	3/2006	Zheng	
D431,382 S	10/2000	Eloge et al.	7,011,372 B1	3/2006	Hsieh	
D432,325 S	10/2000	Zheng et al.	7,017,985 B2	3/2006	Chen	
D432,823 S	10/2000	Zheng	D522,263 S	6/2006	Hart	
D433,244 S	11/2000	Zheng	7,073,852 B1	7/2006	Zheng	
D433,574 S	11/2000	Zheng	D528,317 S *	9/2006	Tseng	D6/368
6,149,238 A	11/2000	Tsai	7,100,877 B2	9/2006	Bourke et al.	
6,179,374 B1	1/2001	Tang	7,100,975 B1	9/2006	Zheng	
6,209,951 B1	4/2001	Han	D529,304 S	10/2006	Le Gal	
6,231,119 B1	5/2001	Zheng	D529,728 S	10/2006	Le Gal	
6,237,993 B1	5/2001	Zheng	7,140,689 B2	11/2006	Zheng	
6,238,001 B1	5/2001	Yoran	D533,369 S *	12/2006	Andersson	D6/368
6,241,311 B1	6/2001	Zheng	7,144,078 B2	12/2006	Hsieh	
6,247,748 B1	6/2001	Zheng	7,178,864 B2	2/2007	Hsieh	
6,264,271 B1	7/2001	Munn et al.	7,219,955 B2	5/2007	Lu et al.	
6,283,046 B1	9/2001	Tseng	7,229,128 B2	6/2007	Lee	
6,296,304 B1	10/2001	Zheng	7,229,131 B2	6/2007	Chen	
6,302,479 B1	10/2001	Zheng	D555,378 S *	11/2007	Tsai	D6/368
6,322,138 B1	11/2001	Tang	7,328,940 B2	2/2008	Zheng	
6,332,646 B1	12/2001	Tseng	7,396,073 B2	7/2008	Zheng	
6,354,657 B1	3/2002	Nelson et al.	7,404,601 B2	7/2008	Chen	
6,364,411 B1	4/2002	Zheng	7,441,287 B2	10/2008	Zheng	
6,371,553 B1	4/2002	Tang	7,600,810 B2	10/2009	Chen et al.	
D456,628 S	5/2002	Satoshi	2002/0024240 A1	2/2002	Chen	
6,382,715 B1	5/2002	Tang	2002/0043822 A1	4/2002	Choi et al.	
6,382,729 B1	5/2002	Wu	2002/0074834 A1	6/2002	Summar et al.	
6,402,230 B1	6/2002	Tang	2003/0006632 A1	1/2003	Ku	
D460,280 S	7/2002	Fox	2003/0015892 A1	1/2003	Wu	
			2003/0020304 A1	1/2003	Zheng	
			2003/0052518 A1	3/2003	Zheng	
			2003/0057741 A1	3/2003	Zheng	
			2003/0057747 A1	3/2003	Johnston	

US D691,384 S

Page 3

2003/0094836	A1	5/2003	Chen	CN	2179041	Y	10/1994
2003/0111872	A1	6/2003	Zheng	CN	2188885	Y	2/1995
2003/0111874	A1	6/2003	Zheng	CN	2196945	Y	5/1995
2003/0127885	A1	7/2003	Tang	CN	1139537	A	1/1997
2003/0234561	A1	12/2003	Zheng	CN	2326083	Y	6/1999
2004/0007903	A1	1/2004	Chang	CN	2328266	Y	7/1999
2004/0036323	A1	2/2004	Hwang	CN	2339063	Y	9/1999
2004/0066075	A1	4/2004	Yeh	CN	2349884	Y	11/1999
2004/0094996	A1	5/2004	Zheng	CN	2367154	Y	3/2000
2004/0094997	A1	5/2004	Zheng	EP	139306	A1	5/1985
2004/0113476	A1	6/2004	Chang	EP	997090	A1	5/2000
2004/0130190	A1	7/2004	Zheng	FR	2833824	A1	6/2003
2004/0135405	A1	7/2004	Zheng	FR	2837081	A1	9/2003
2004/0232740	A1	11/2004	Enge	GB	599760	A	3/1948
2004/0245810	A1	12/2004	Tseng	GB	2022405	A	12/1979
2005/0077758	A1	4/2005	Reese	GB	2025213	A	1/1980
2005/0088018	A1*	4/2005	Yao	GB	2331233	A	5/1999
			297/16.1				
2005/0236873	A1	10/2005	Edward	JP	38-12532		6/1938
2005/0248202	A1	11/2005	Zheng	JP	50123508	A	9/1975
2006/0186711	A1	8/2006	Phipps	JP	51127856	A	11/1976
2007/0029846	A1	2/2007	Cohen	JP	55120347	A	9/1980
2007/0102974	A1	5/2007	Chen	JP	2001070077	A	3/2001
2007/0187998	A1	8/2007	Chen	JP	2002165667	A	6/2002
2007/0200395	A1	8/2007	Zheng	JP	2002233429	A	8/2002
2007/0267901	A1	11/2007	Zheng	JP	2002360371	A	12/2002
2008/0224504	A1	9/2008	Fargason	JP	2004105557	A	4/2004
2008/0231088	A1	9/2008	Zheng	WO	2004021835	A1	3/2004
2010/0164256	A1	7/2010	Salisbury				
2011/0043003	A1*	2/2011	Akkad				
			297/16.1				

FOREIGN PATENT DOCUMENTS

CN 2117779 U 10/1992
CN 2137107 Y 6/1993

OTHER PUBLICATIONS
U.S. Appl. No. 13/570,472 by Akkad, filed Aug. 9, 2012.

* cited by examiner

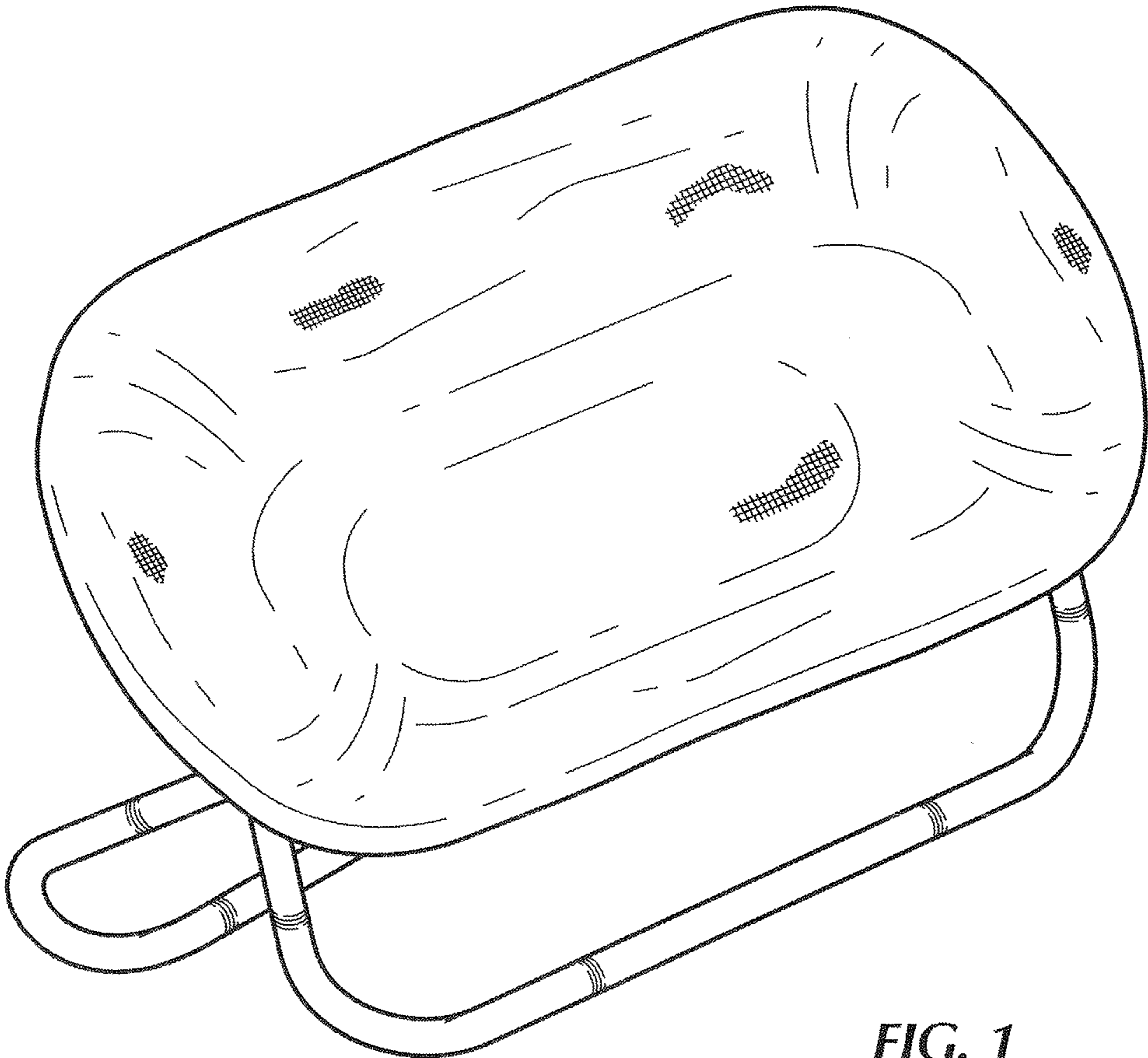


FIG. 1

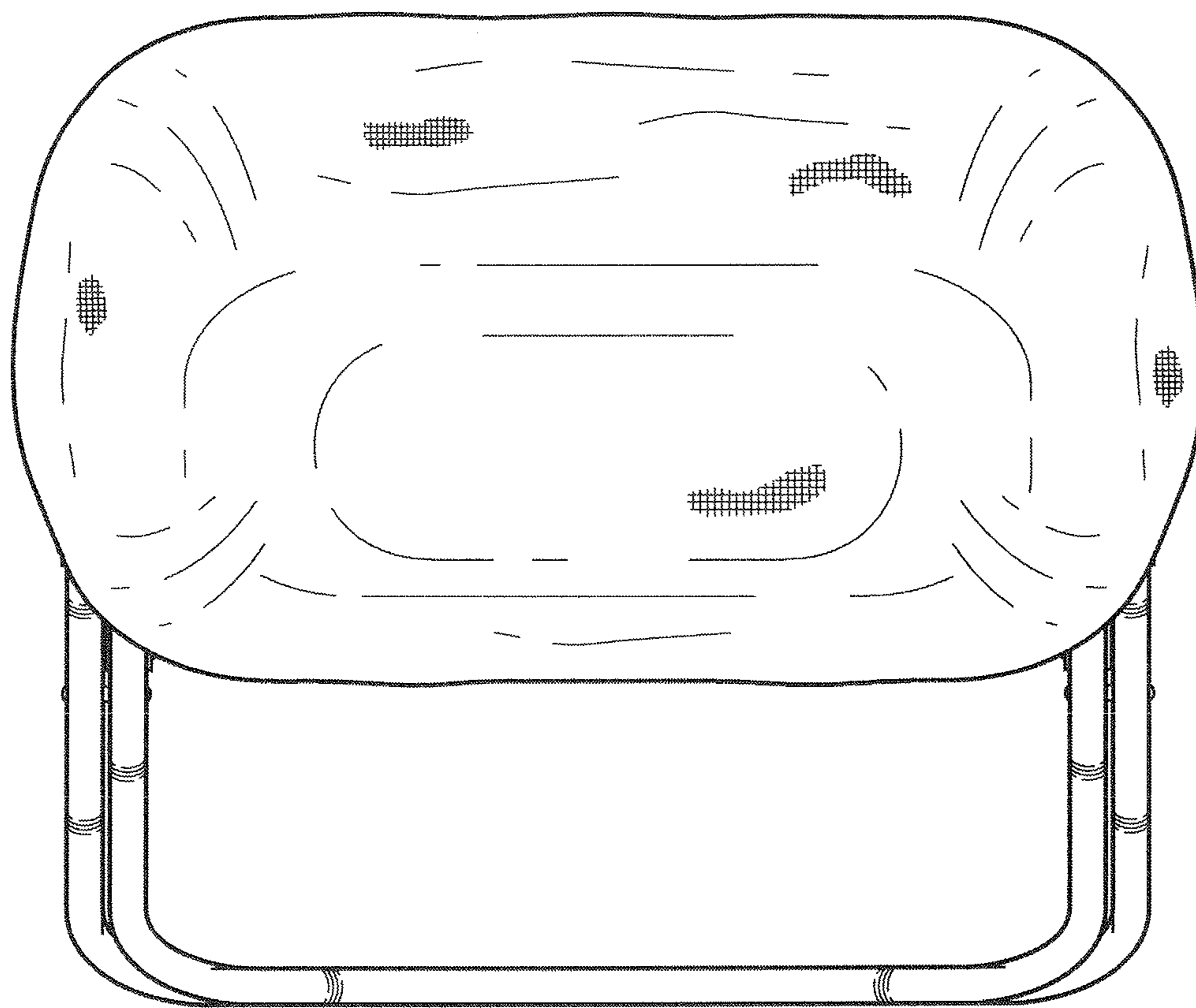


FIG. 2

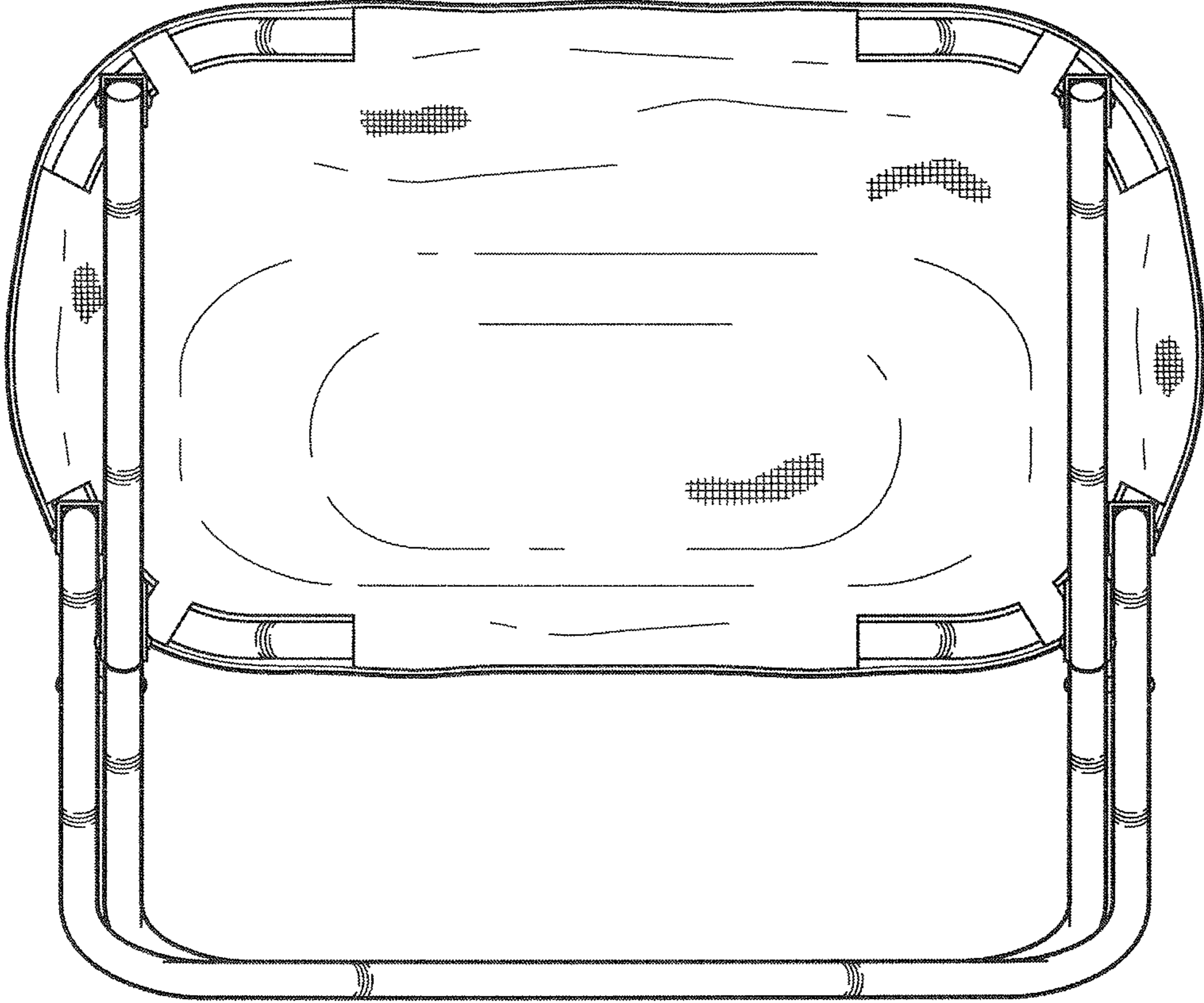


FIG. 3

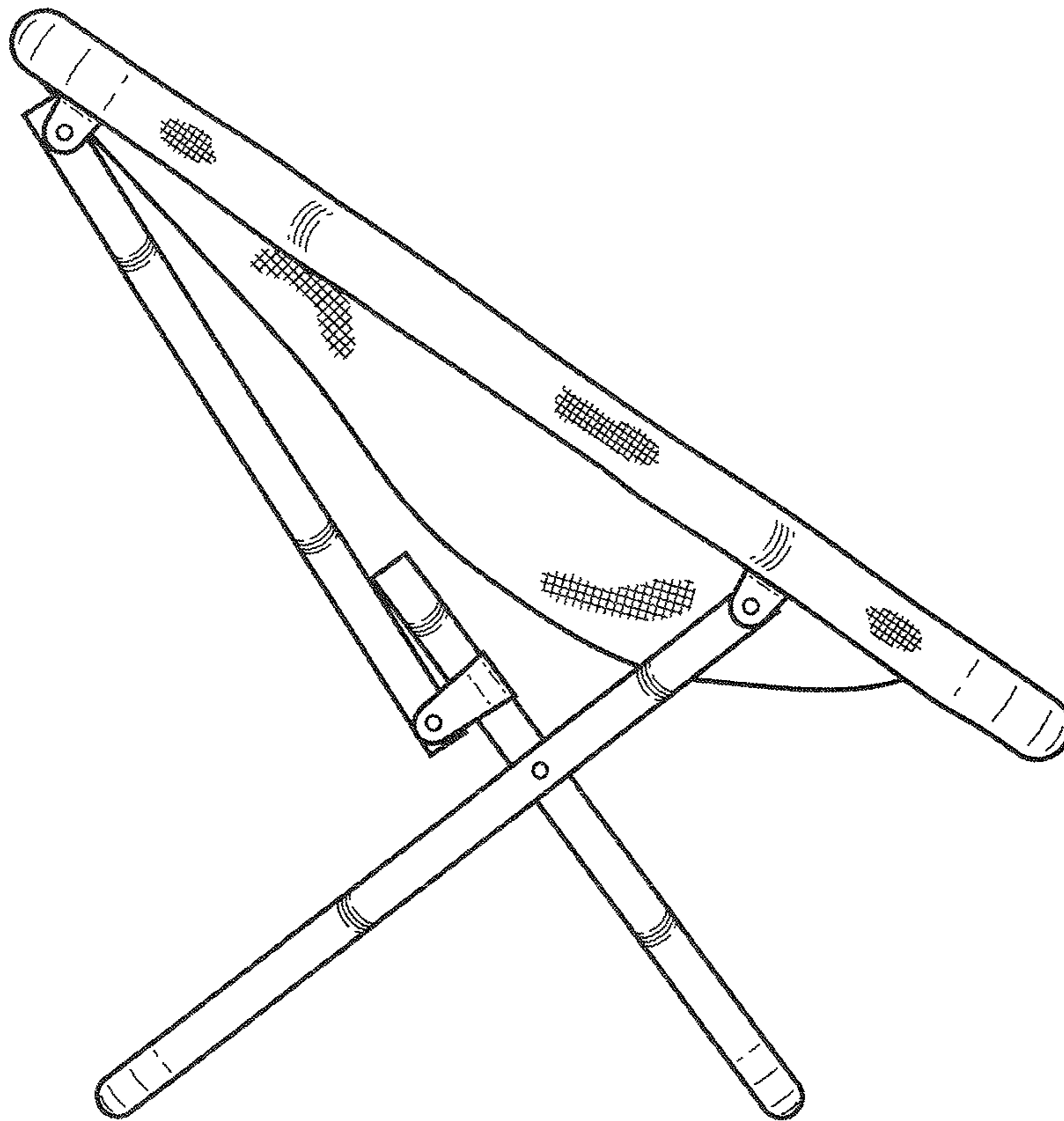


FIG. 4

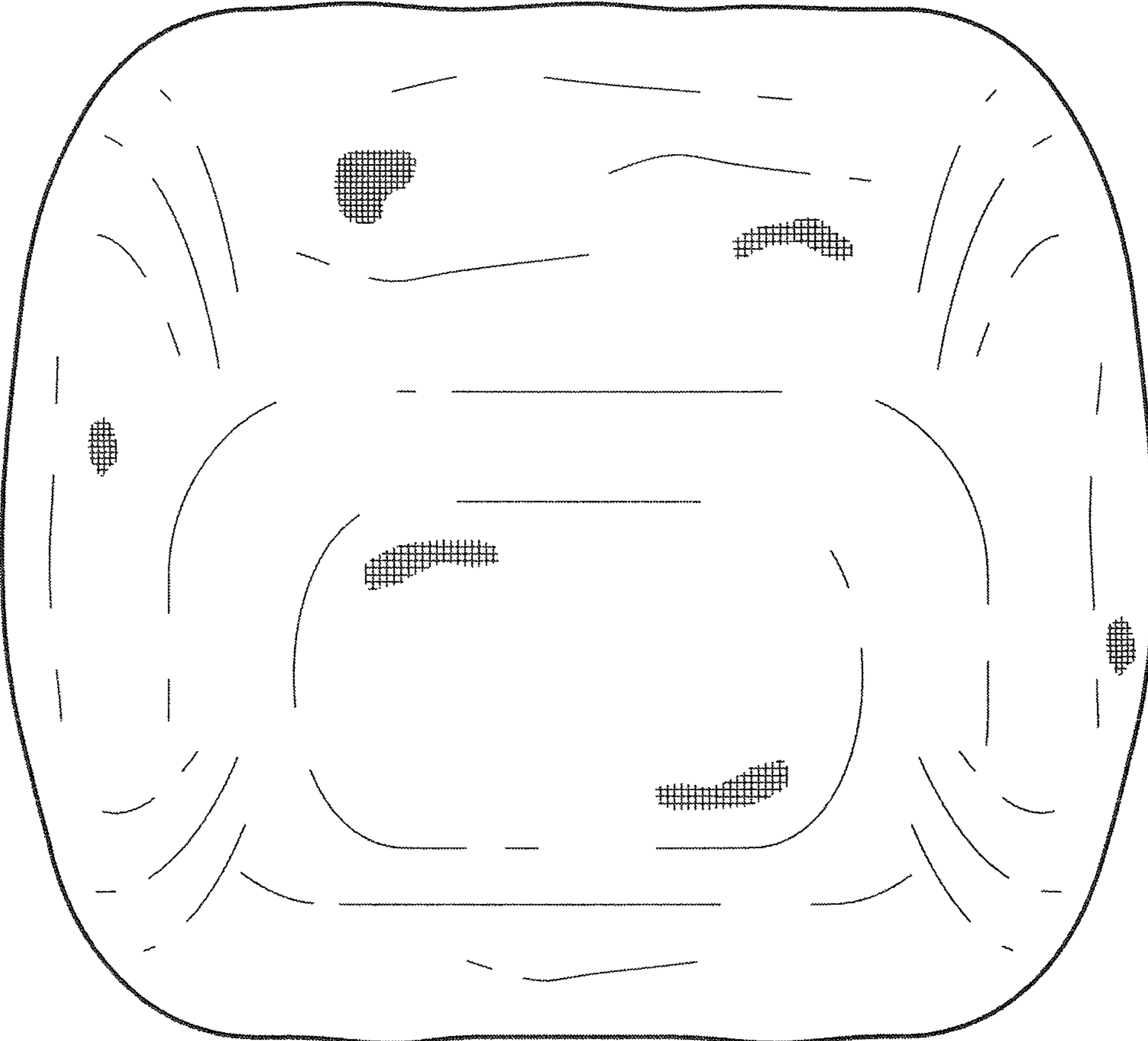


FIG. 5

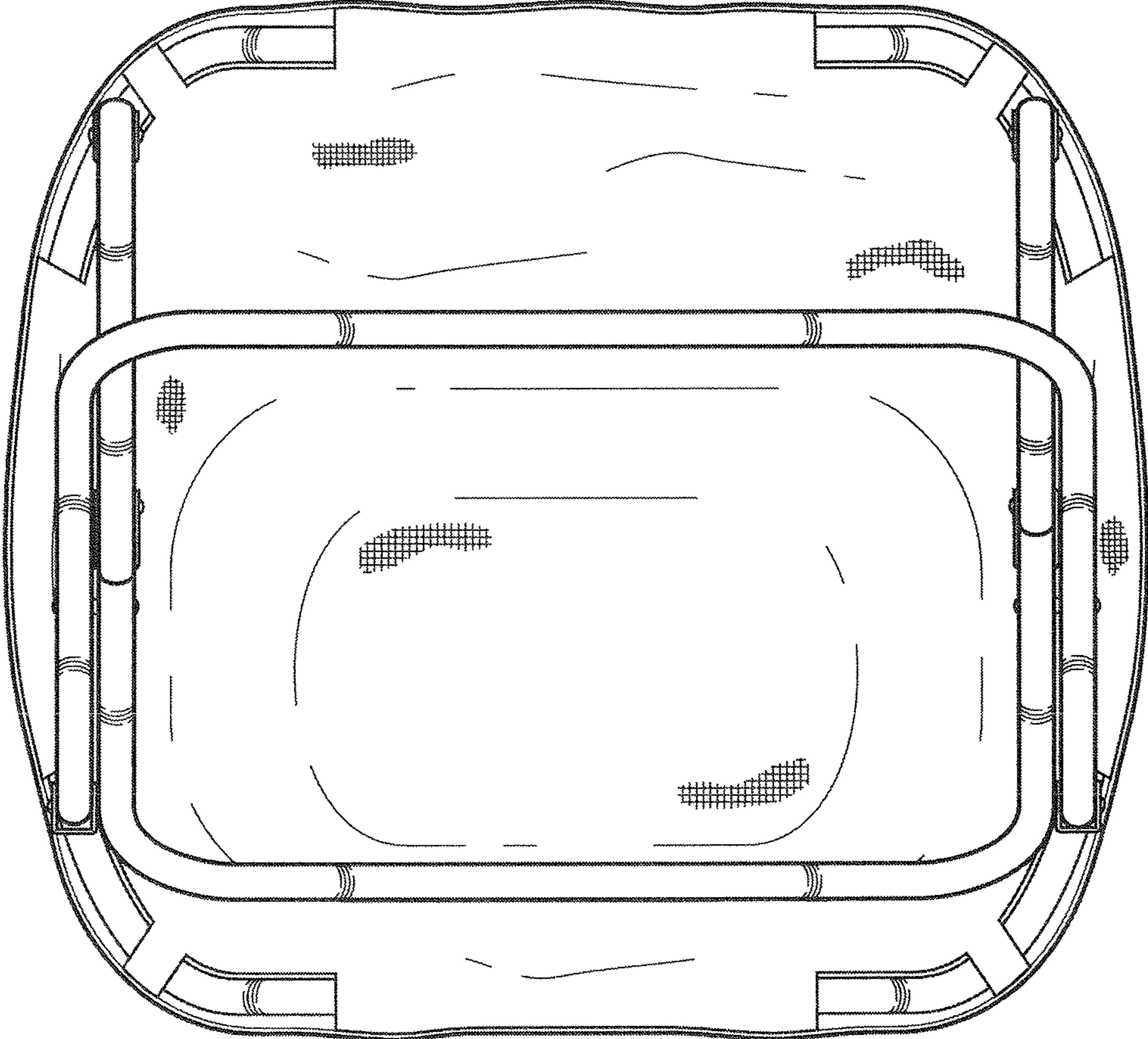


FIG. 6