

US00D691383S

(12) **United States Design Patent**  
**Kittilsen et al.**

(10) **Patent No.:** **US D691,383 S**

(45) **Date of Patent:** **\*\* Oct. 15, 2013**

(54) **CHAIR WITH BOUNCER**

(71) Applicant: **Stokke AS**, Skodje (NO)

(72) Inventors: **Anders August Kittilsen**, Ålesund (NO); **Tore Vinje Brustad**, Oslo (NO); **Andreas Murray**, Oslo (NO)

(73) Assignee: **Stokke AS** (NO)

(\*\*) Term: **14 Years**

(21) Appl. No.: **29/432,993**

(22) Filed: **Sep. 24, 2012**

(51) **LOC (9) Cl.** ..... **06-01**

(52) **U.S. Cl.**  
USPC ..... **D6/360; D6/344**

(58) **Field of Classification Search**  
USPC ..... D6/333, 334, 335, 336, 339, 344, 348, D6/360, 375, 715, 716, 716.1, 716.2, D6/716.4; D21/412; 297/250.1, 258.1, 297/260.1, 256.16, 274, 296, 440.11, 297/452.12, 452.13, 452.19; 472/118, 119  
See application file for complete search history.

(56) **References Cited**

**U.S. PATENT DOCUMENTS**

132,762 A	11/1872	Haupt
375,471 A	12/1887	Binder
769,495 A	9/1904	Schroeder
1,178,894 A	4/1916	Wilcox
2,008,392 A	7/1935	Heller
D106,220 S	9/1937	Scribner
D114,435 S	4/1939	Berna
D131,679 S	3/1942	Greenbaum
D175,781 S	10/1955	Kranz
3,335,434 A	8/1967	Gamon
D227,828 S	7/1973	Heyl
4,109,961 A	8/1978	Opsvik

4,410,176 A *	10/1983	Miller	.....	297/452.12
4,553,786 A *	11/1985	Lockett et al.	.....	297/440.11
4,650,246 A	3/1987	Henriksson		
D294,429 S	3/1988	Vasquez		
4,747,526 A	5/1988	Launes		
D298,388 S	11/1988	Wise et al.		
D298,987 S	12/1988	Tiffany		

(Continued)

**FOREIGN PATENT DOCUMENTS**

DE	9312828 U1	11/1993
DE	4329692 C2	11/1998

(Continued)

*Primary Examiner* — Mimosa De

(74) *Attorney, Agent, or Firm* — Kolisch Blackwell, P.C.

(57) **CLAIM**

We claim the ornamental design for a chair with bouncer, as shown and described.

**DESCRIPTION**

FIG. 1 is an upper-right perspective view of a chair with bouncer according to an embodiment of the invention.

FIG. 2 is a lower-left perspective view of the embodiment of FIG. 1.

FIG. 3 is a top plan view of the embodiment of FIG. 1.

FIG. 4 is a bottom plan view of the embodiment of FIG. 1.

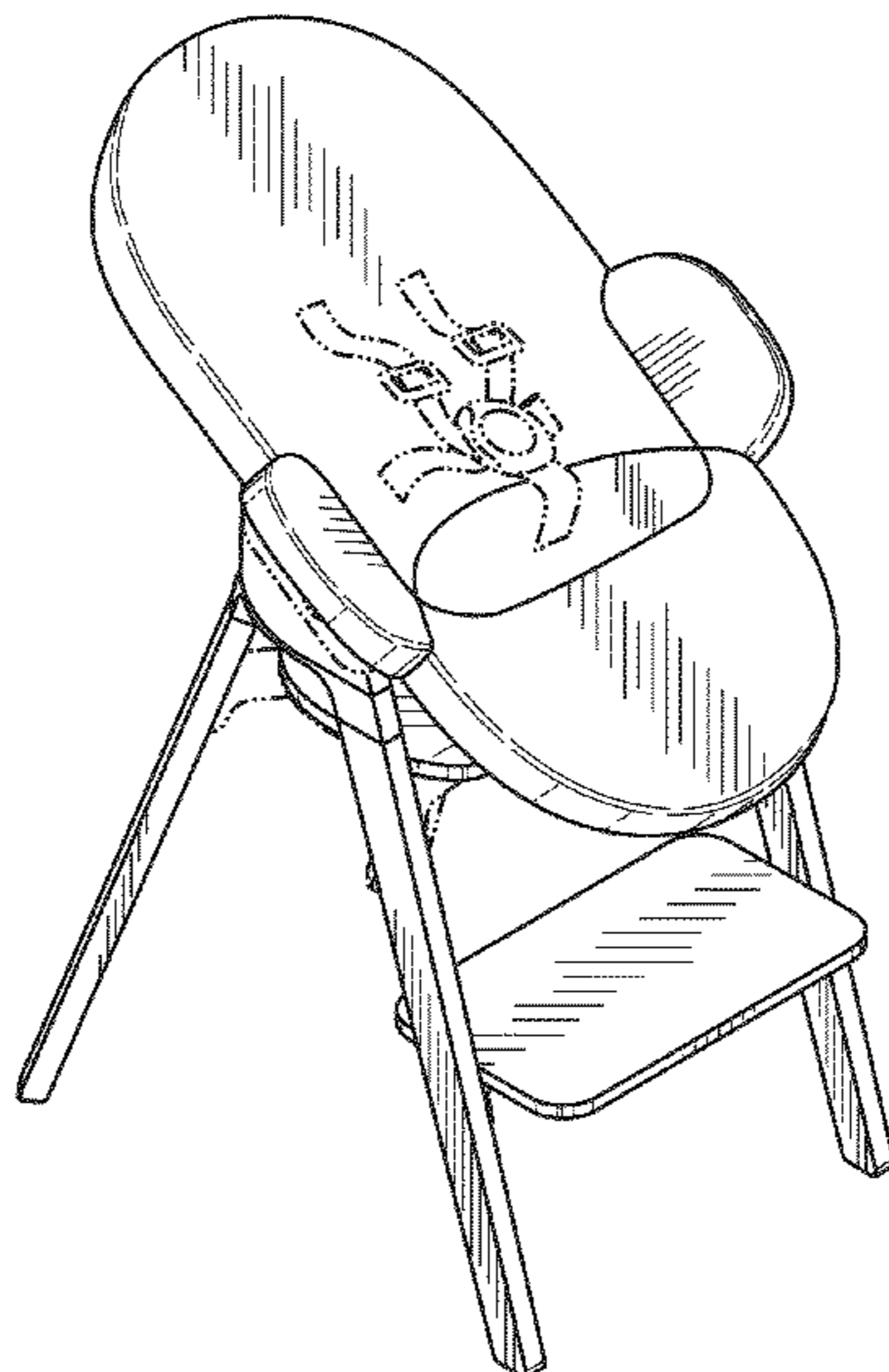
FIG. 5 is a left side elevation view of the embodiment of FIG. 1.

FIG. 6 is a right side elevation view of the embodiment of FIG. 1.

FIG. 7 is a front elevation view of the embodiment of FIG. 1; and,

FIG. 8 is a rear elevation view of the embodiment of FIG. 1. The unclaimed environment is represented by thick, evenly spaced, dash-dot-dot-dash lines, and forms no part of the claimed design.

**1 Claim, 4 Drawing Sheets**



(56)

References Cited

U.S. PATENT DOCUMENTS

D308,656 S 6/1990 Takahashi et al.  
 5,317,765 A 6/1994 Knoedler et al.  
 5,334,099 A 8/1994 Marra et al.  
 D356,447 S 3/1995 Peters  
 5,438,043 A 8/1995 Ljungqvist  
 D362,554 S 9/1995 Grundner  
 D365,449 S 12/1995 Wood  
 D367,181 S 2/1996 Peters  
 5,503,458 A \* 4/1996 Petrie ..... 297/452.13  
 D370,569 S 6/1996 Opsvik  
 D381,817 S 8/1997 Cone, II  
 D381,818 S 8/1997 Wood  
 5,687,433 A 11/1997 Gamer et al.  
 5,730,493 A 3/1998 Fomasari et al.  
 5,810,432 A 9/1998 Haut et al.  
 5,860,696 A 1/1999 Opsvik et al.  
 5,927,805 A 7/1999 Hilger et al.  
 6,024,412 A 2/2000 Kain et al.  
 D426,965 S 6/2000 Wu  
 D428,715 S 8/2000 Brevi  
 D432,798 S 10/2000 Boney  
 D441,209 S 5/2001 Hagstrom  
 6,416,132 B1 7/2002 Norton et al.  
 D478,219 S 8/2003 Greger  
 6,626,487 B1 9/2003 Buitendach  
 D493,020 S 7/2004 Resfum  
 D499,990 S 12/2004 Refsum et al.  
 D503,546 S 4/2005 Oxseth  
 D505,366 S 5/2005 Refsum et al.  
 D510,716 S 10/2005 Refsum et al.  
 D519,258 S 4/2006 Resfum

D522,210 S 5/2006 Resfum  
 D525,423 S 7/2006 Oxseth  
 D526,601 S 8/2006 Oxseth  
 D546,081 S 7/2007 Babikian et al.  
 D566,014 S 4/2008 Myers  
 D576,084 S 9/2008 Dotsey et al.  
 D582,693 S 12/2008 da Costa  
 D590,608 S 4/2009 Ebina  
 D599,143 S 9/2009 Opsvik  
 D603,175 S 11/2009 Jacobs et al.  
 D614,893 S 5/2010 Opsvik  
 D619,817 S \* 7/2010 Gower et al. .... D6/339  
 D631,402 S 1/2011 Bagwell et al.  
 D641,180 S 7/2011 Kennedy et al.  
 7,992,935 B2 8/2011 Opsvik  
 D651,139 S 12/2011 Angelfoss et al.  
 D654,409 S 2/2012 Angelfoss et al.  
 8,152,239 B2 4/2012 Opsvik  
 D663,539 S 7/2012 Chuah  
 D668,068 S 10/2012 Chuah  
 D679,915 S 4/2013 Sturme  
 D680,764 S \* 4/2013 Chen ..... D6/344  
 2011/0012408 A1 \* 1/2011 Lee et al. .... 297/258.1  
 2011/0181084 A1 \* 7/2011 Arnold et al. .... 297/256.16

FOREIGN PATENT DOCUMENTS

DE 10202735 A1 8/2003  
 DE 10229436 A1 1/2004  
 EP 0182761 B1 4/1988  
 EP 1388311 A1 2/2004  
 FR 2856564 B3 10/2005  
 WO WO9530360 A1 11/1995

\* cited by examiner

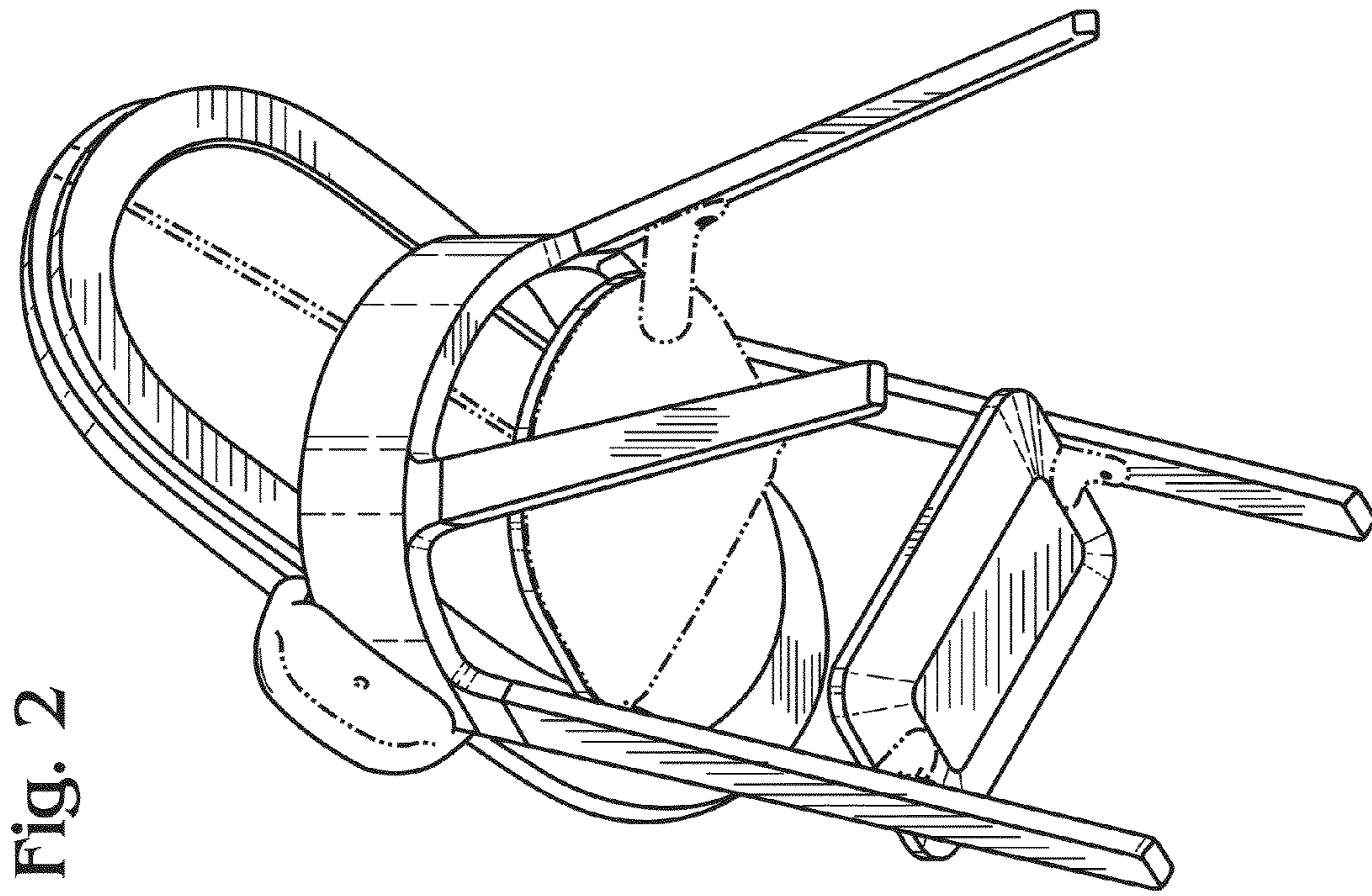


Fig. 2

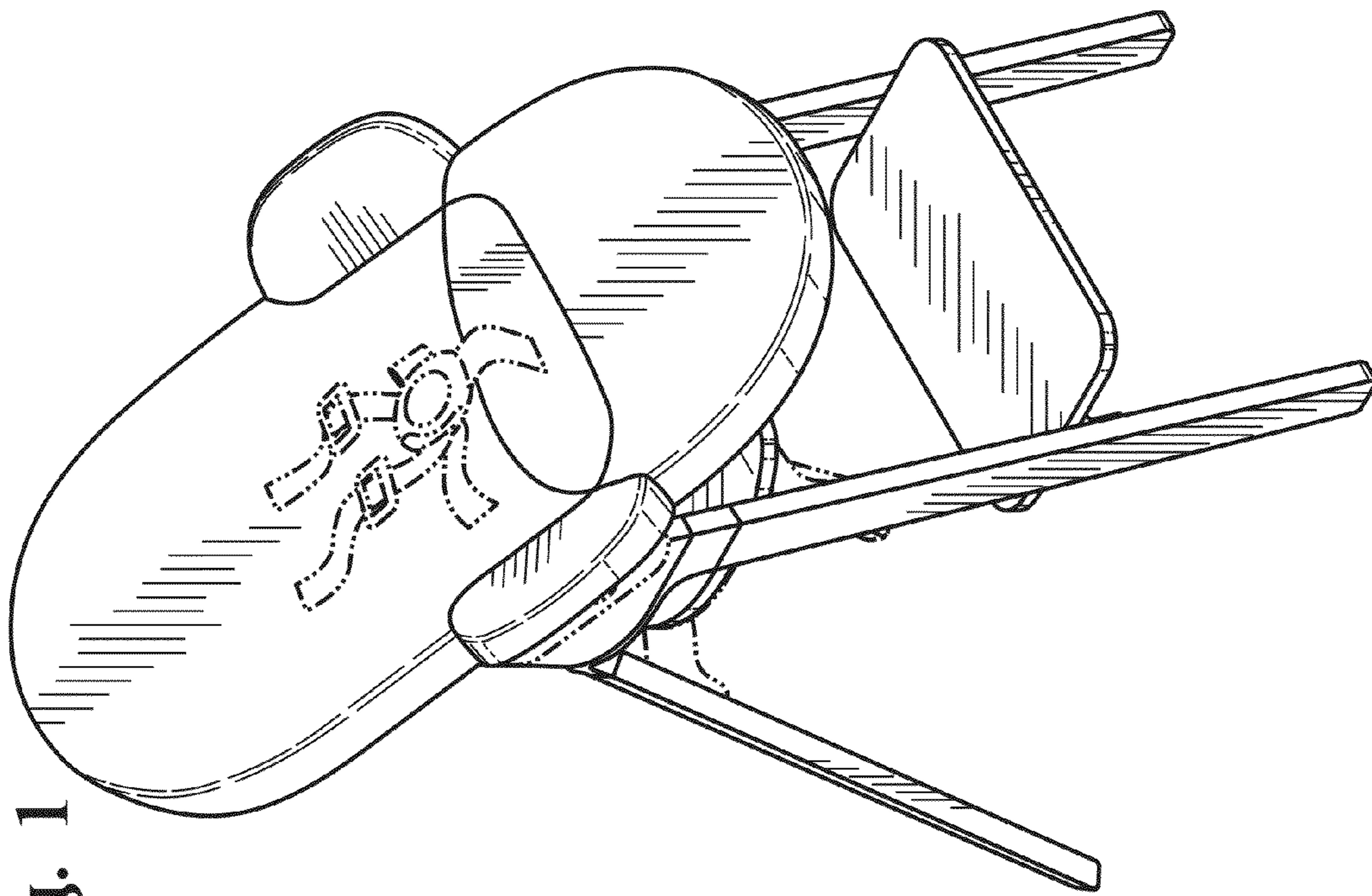


Fig. 1

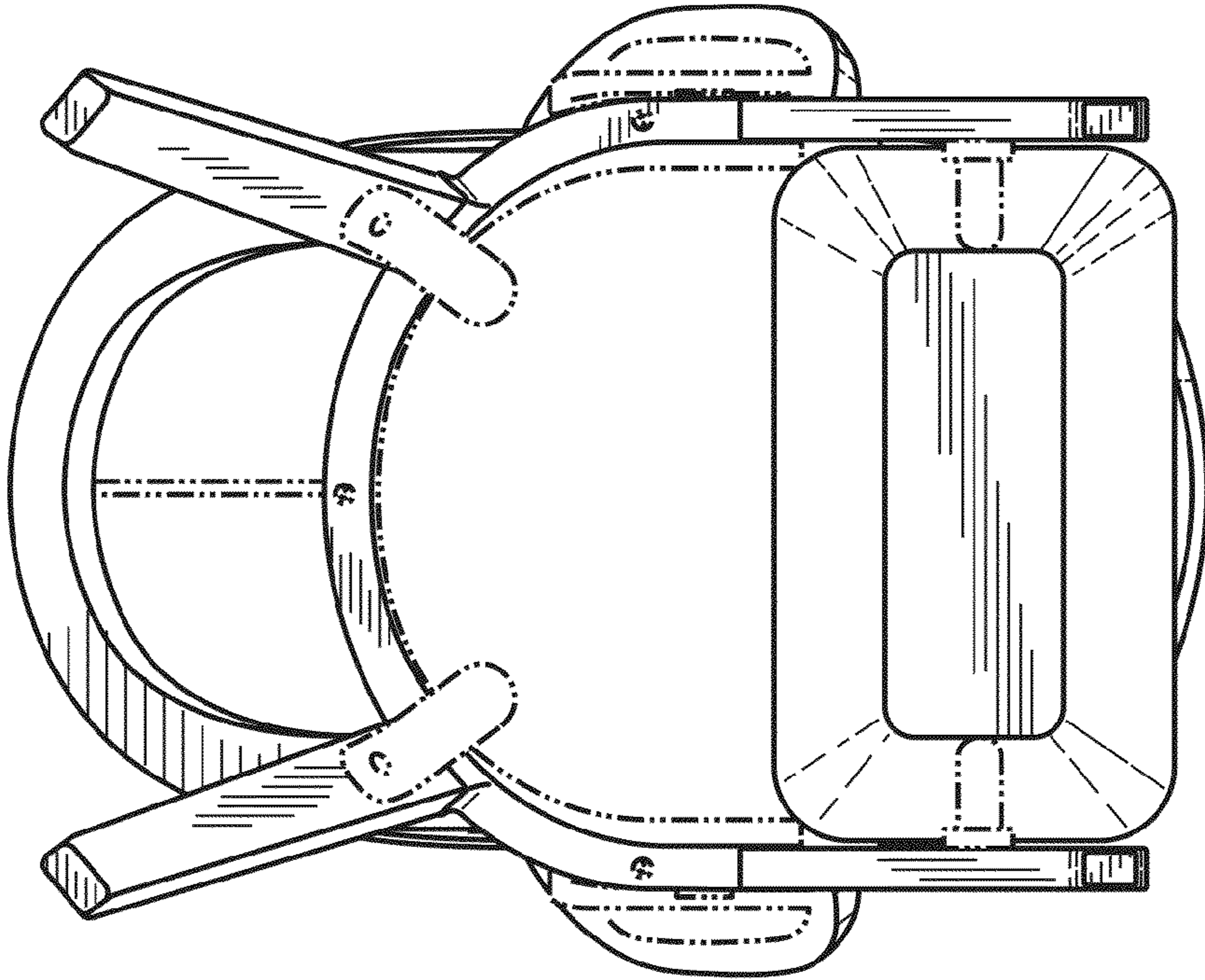


Fig. 4

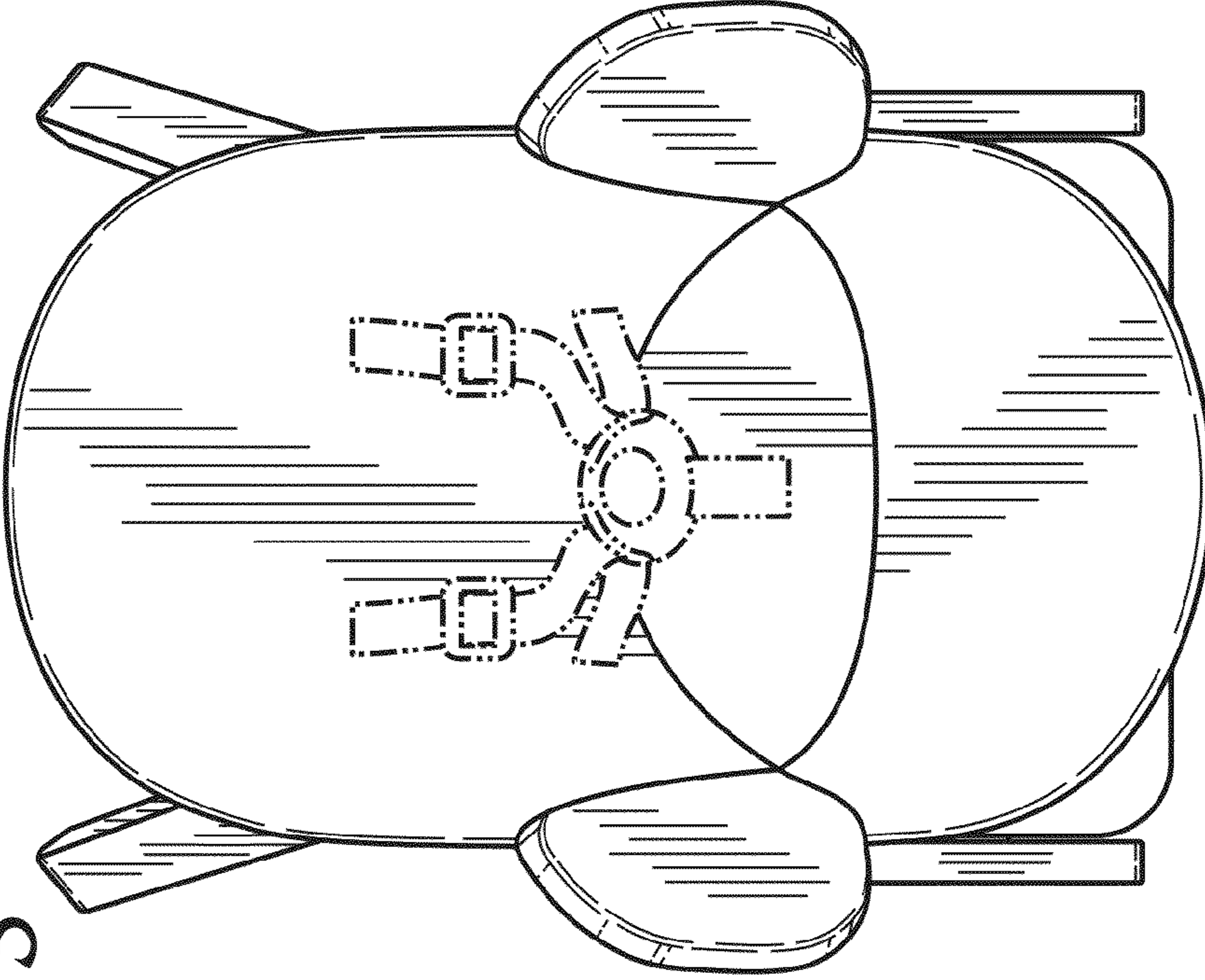


Fig. 3

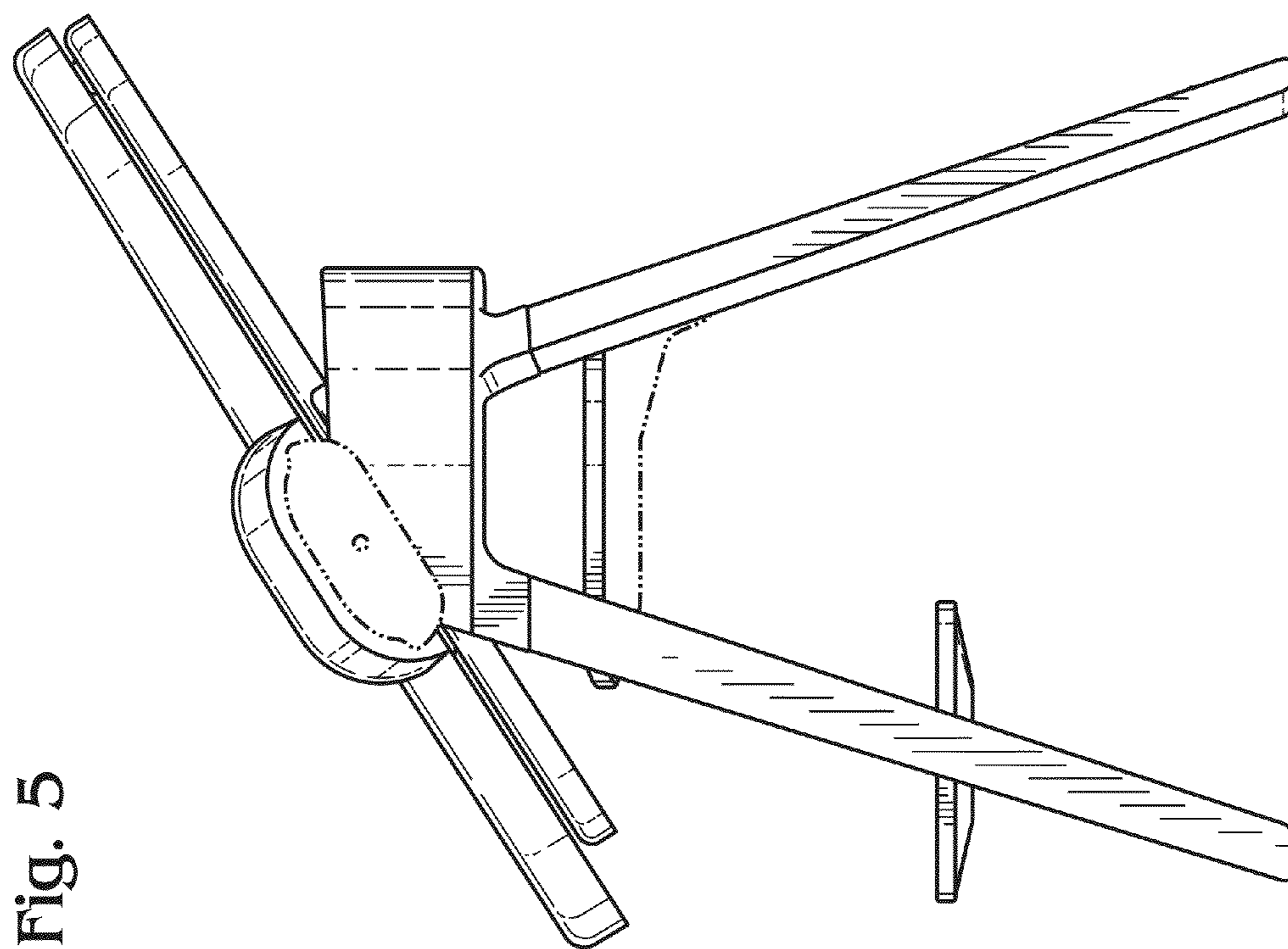
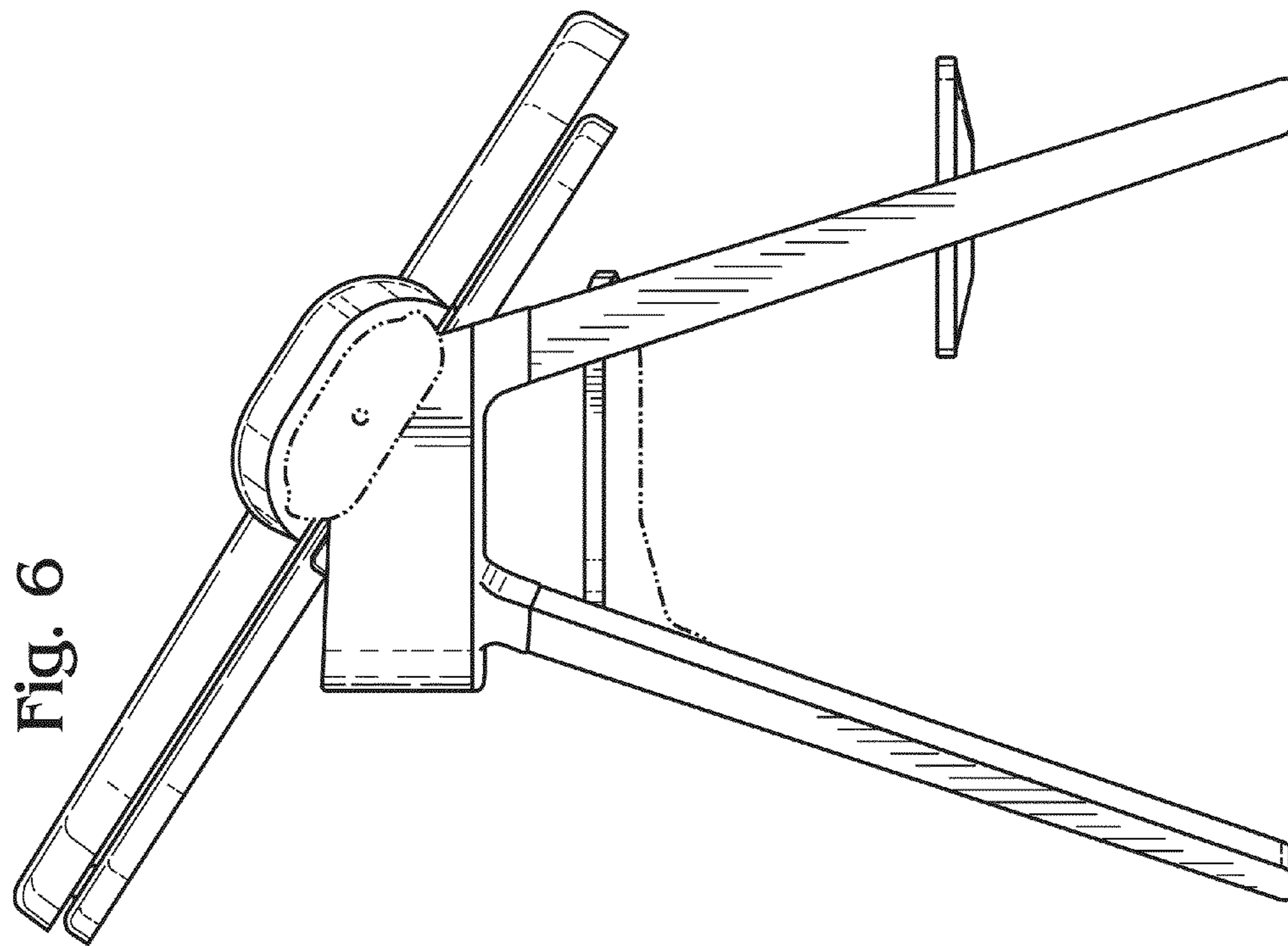


Fig. 6

Fig. 5

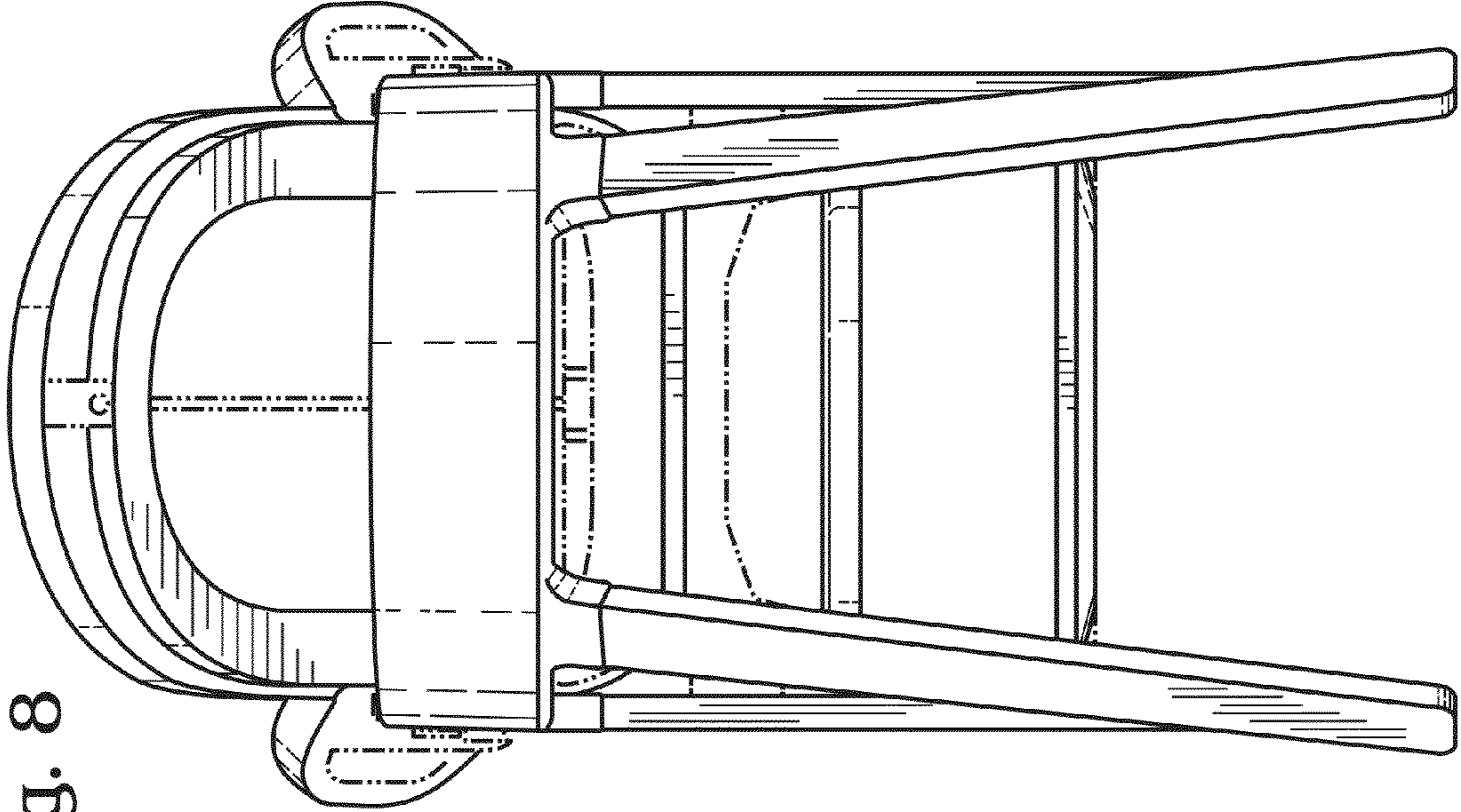


Fig. 8

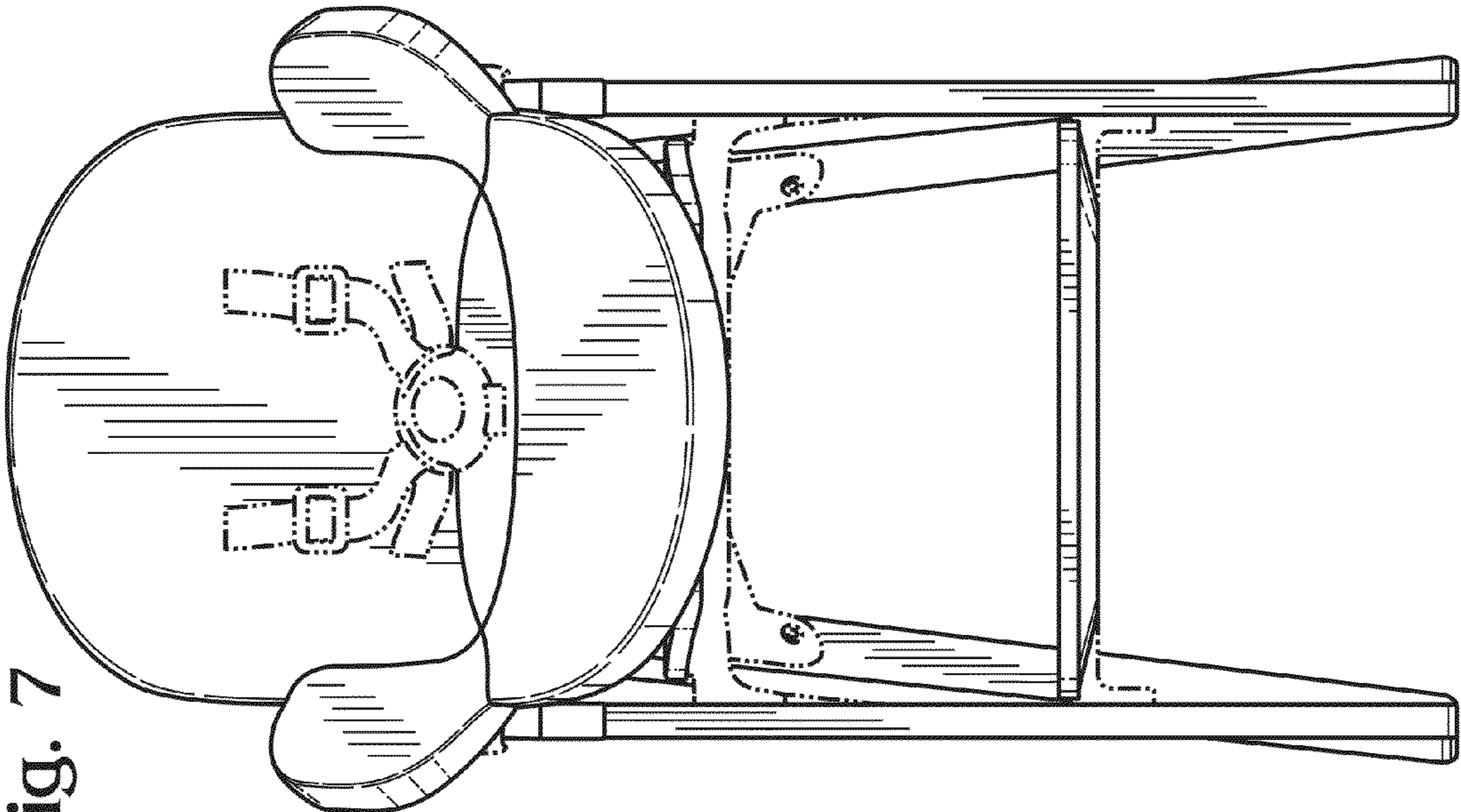


Fig. 7