

US00D691381S

(12) **United States Design Patent**
Kittilsen et al.

(10) **Patent No.:** **US D691,381 S**
(45) **Date of Patent:** **** Oct. 15, 2013**

(54) **BOUNCER IN OPEN POSITION**

(71) Applicant: **Stokke AS**, Skodje (NO)

(72) Inventors: **Anders August Kittilsen**, Ålesund (NO); **Tore Vinje Brustad**, Oslo (NO); **Andreas Murray**, Oslo (NO)

(73) Assignee: **Stokke AS** (NO)

(**) Term: **14 Years**

(21) Appl. No.: **29/432,992**

(22) Filed: **Sep. 24, 2012**

(30) **Foreign Application Priority Data**

Mar. 22, 2012 (NO) 20120244

(51) **LOC (9) Cl.** **06-01**

(52) **U.S. Cl.**
USPC **D6/344**

(58) **Field of Classification Search**

USPC D6/333, 334, 335, 336, 344, 348, 375, D6/715, 716, 716.1, 716.2, 716.4; D21/412; 297/32, 250.1, 258.1, 260.1, 297/256.16, 274, 296, 440.11, 452.13, 297/452.2, 452.19; 472/118, 119

See application file for complete search history.

(56) **References Cited**

U.S. PATENT DOCUMENTS

132,762 A 11/1872 Haupt
375,471 A 12/1887 Binder
769,495 A 9/1904 Schroeder
1,178,894 A 4/1916 Wilcox
2,008,392 A 7/1935 Heller
D106,220 S 9/1937 Scribner
D114,435 S 4/1939 Berna
D131,679 S 3/1942 Greenbaum

D175,781 S 10/1955 Kranz
3,335,434 A 8/1967 Gamon
D227,828 S 7/1973 Heyl
4,109,961 A 8/1978 Opsvik
4,553,786 A * 11/1985 Lockett et al. 297/440.11
D282,791 S * 3/1986 Lockett et al. D6/333
4,650,246 A 3/1987 Henriksson

(Continued)

FOREIGN PATENT DOCUMENTS

DE 9312828 U1 11/1993
DE 4329692 C2 11/1998

(Continued)

Primary Examiner — Mimosa De

(74) *Attorney, Agent, or Firm* — Kolisch Hartwell, P.C.

(57) **CLAIM**

We claim the ornamental design for a bouncer in open position, as shown and described.

DESCRIPTION

FIG. 1 is an upper-right perspective view of a bouncer in open position according to an embodiment of the invention.

FIG. 2 is a lower-left perspective view of the embodiment of FIG. 1.

FIG. 3 is a top plan view of the embodiment of FIG. 1.

FIG. 4 is a bottom plan view of the embodiment of FIG. 1.

FIG. 5 is a left side elevation view of the embodiment of FIG. 1.

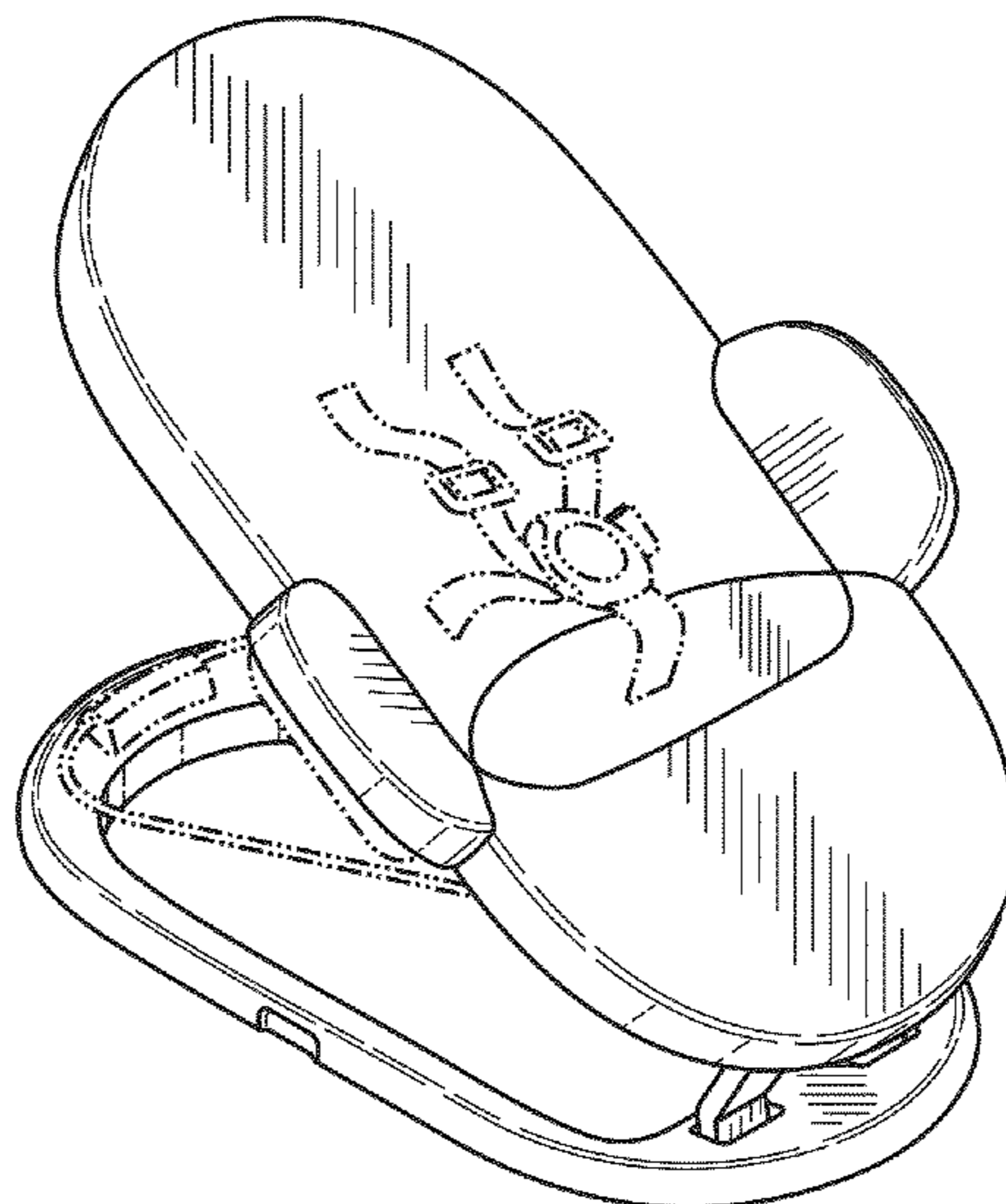
FIG. 6 is a right side elevation view of the embodiment of FIG. 1.

FIG. 7 is a front elevation view of the embodiment of FIG. 1; and,

FIG. 8 is a rear elevation view of the embodiment of FIG. 1.

The unclaimed environment is represented by thick, evenly spaced, dash-dot-dot-dash lines, and forms no part of the claimed design.

1 Claim, 4 Drawing Sheets



(56)

References Cited

U.S. PATENT DOCUMENTS

D294,429 S 3/1988 Vasquez
 4,747,526 A 5/1988 Launes
 D298,388 S 11/1988 Wise et al.
 D298,987 S 12/1988 Tiffany
 D308,656 S 6/1990 Takahashi et al.
 5,317,765 A 6/1994 Knoedler et al.
 5,334,099 A 8/1994 Marra et al.
 D356,447 S 3/1995 Peters
 5,438,043 A 8/1995 Ljungqvist
 D362,554 S 9/1995 Grundner
 D365,449 S 12/1995 Wood
 D367,181 S 2/1996 Peters
 5,503,458 A * 4/1996 Petrie 297/452.13
 D370,569 S 6/1996 Opsvik
 D381,817 S 8/1997 Cone, II
 D381,818 S 8/1997 Wood
 5,687,433 A 11/1997 Garner et al.
 5,730,493 A 3/1998 Fomasari et al.
 5,810,432 A 9/1998 Haut et al.
 5,860,696 A 1/1999 Opsvik et al.
 5,868,459 A * 2/1999 Welsh, Jr. 297/258.1
 5,927,805 A 7/1999 Hilger et al.
 6,024,412 A 2/2000 Kain et al.
 D426,965 S 6/2000 Wu
 D428,715 S 8/2000 Brevi
 D432,798 S 10/2000 Boney
 D440,412 S * 4/2001 Huang D6/333
 D441,209 S 5/2001 Hagstrom
 6,361,106 B1 * 3/2002 Huang 297/32
 6,416,132 B1 7/2002 Norton et al.
 D478,219 S 8/2003 Greger
 6,626,487 B1 9/2003 Buitendach
 6,682,137 B2 * 1/2004 Hsia 297/258.1
 D493,020 S 7/2004 Resfum
 D499,990 S 12/2004 Refsum et al.
 D503,546 S 4/2005 Oxseth

D505,366 S 5/2005 Refsum et al.
 D510,716 S 10/2005 Refsum et al.
 D519,258 S 4/2006 Resfum
 D522,210 S 5/2006 Resfum
 D525,423 S 7/2006 Oxseth
 D526,601 S 8/2006 Oxseth
 D546,081 S 7/2007 Babikian et al.
 D566,014 S 4/2008 Myers
 D576,084 S 9/2008 Dotsey et al.
 D582,693 S 12/2008 da Costa
 D590,608 S 4/2009 Ebina
 D599,143 S 9/2009 Opsvik
 D603,175 S 11/2009 Jacobs et al.
 D612,621 S * 3/2010 Ekstrom D6/333
 D614,893 S 5/2010 Opsvik
 D631,402 S 1/2011 Bagwell et al.
 D641,180 S 7/2011 Kennedy et al.
 7,992,935 B2 8/2011 Opsvik
 D651,139 S 12/2011 Angelfoss et al.
 D654,409 S 2/2012 Angelfoss et al.
 8,152,239 B2 4/2012 Opsvik
 8,205,943 B2 * 6/2012 Zhong 297/274
 D663,539 S 7/2012 Chuah
 D668,068 S 10/2012 Chuah
 D677,910 S * 3/2013 Shaw D6/333
 D679,915 S 4/2013 Sturme
 D680,764 S * 4/2013 Chen D6/344
 2008/0146361 A1 * 6/2008 Godiska 472/119

FOREIGN PATENT DOCUMENTS

DE 10202735 A1 8/2003
 DE 10229436 A1 1/2004
 EP 0182761 B1 4/1988
 EP 1388311 A1 2/2004
 FR 2856564 B3 10/2005
 WO WO9530360 A1 11/1995

* cited by examiner

Fig. 2

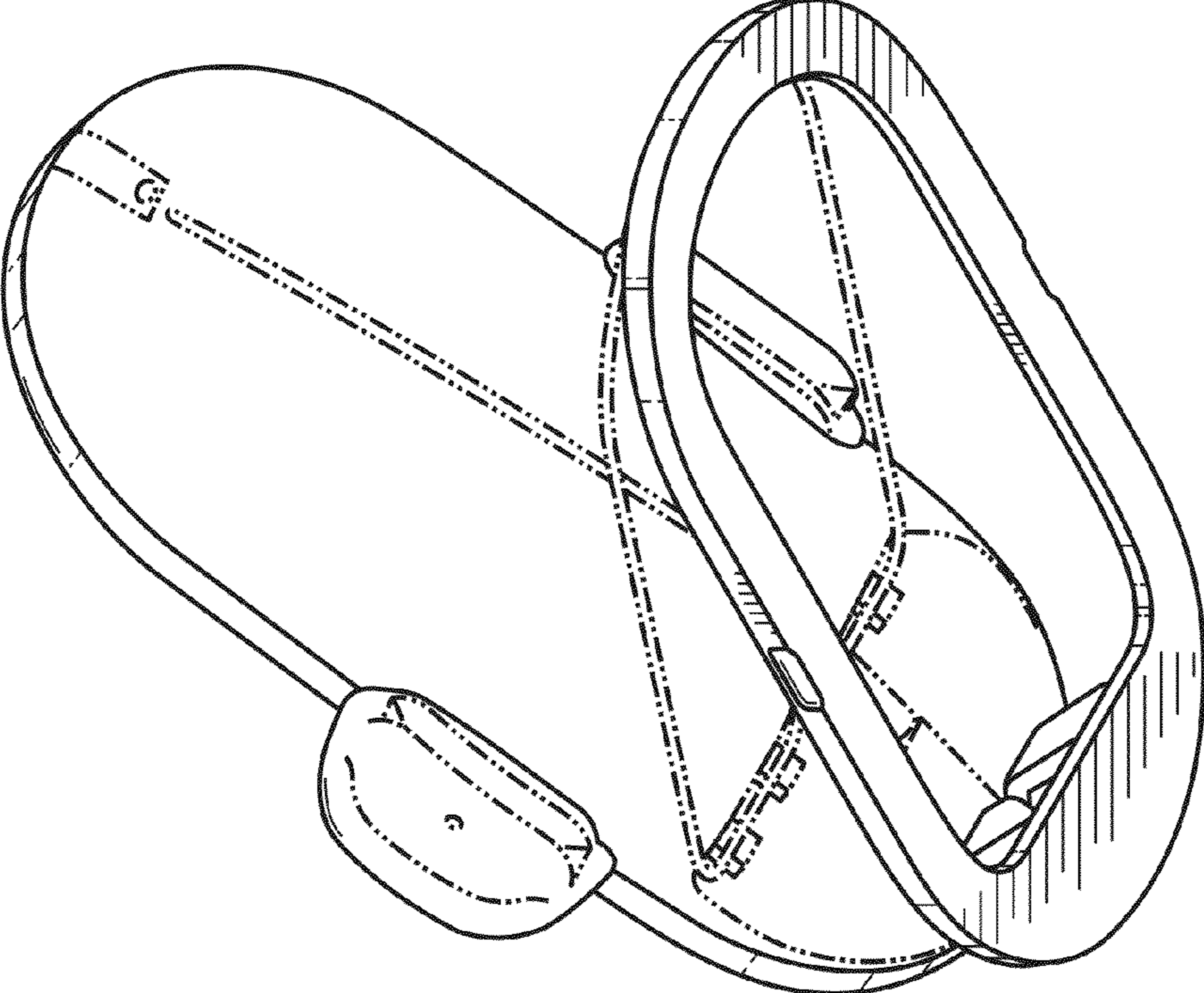
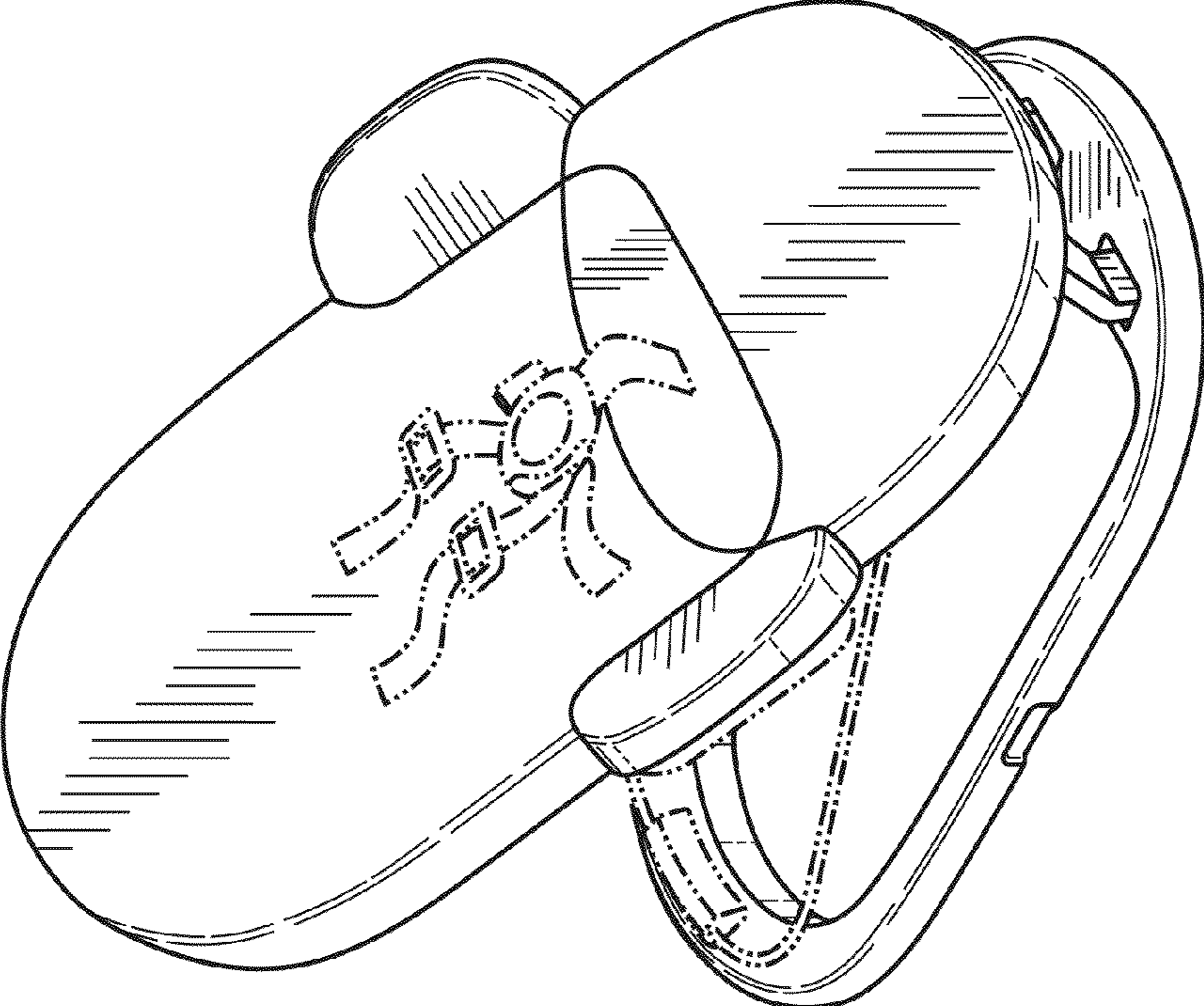


Fig. 1



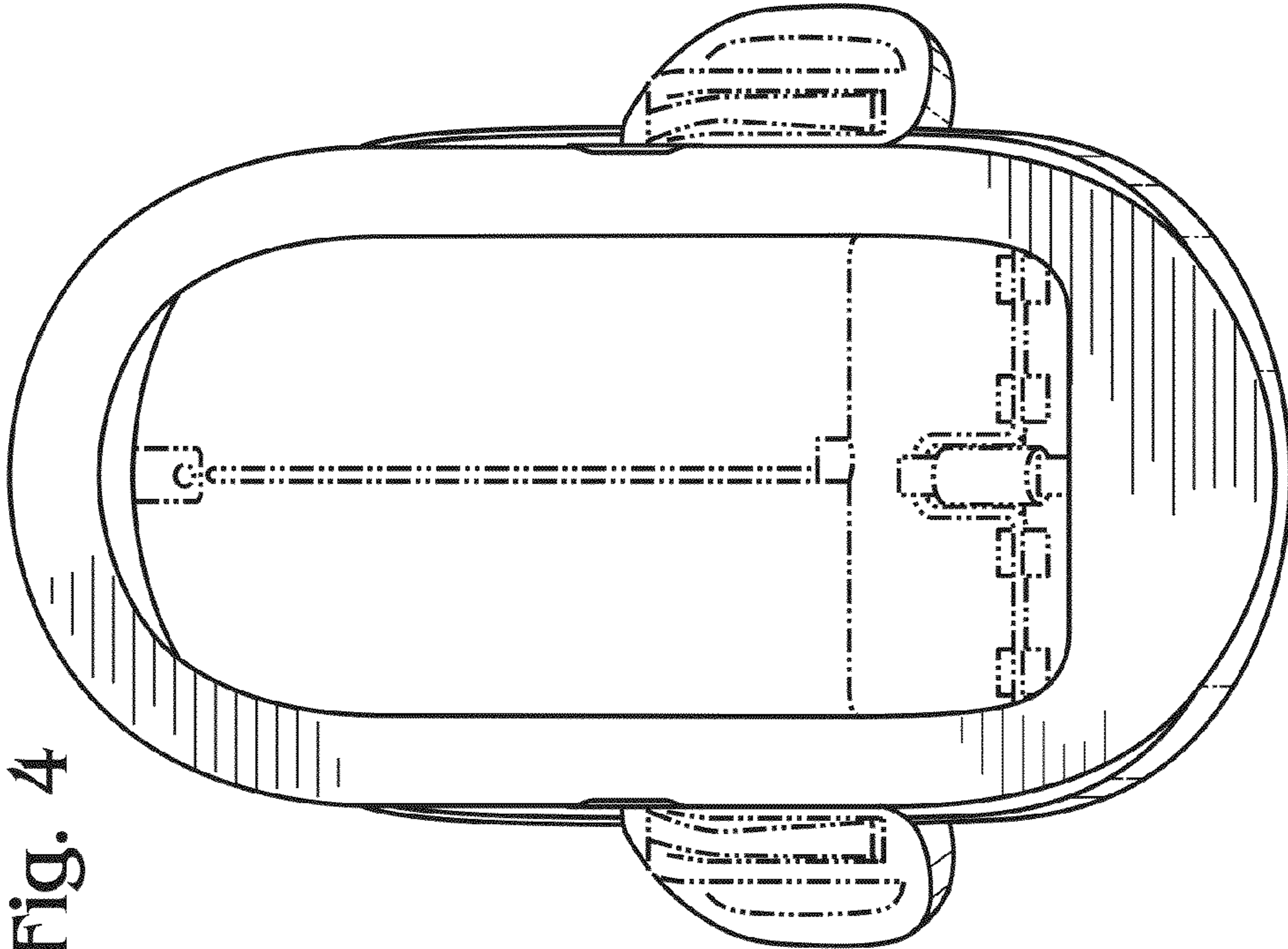


Fig. 4

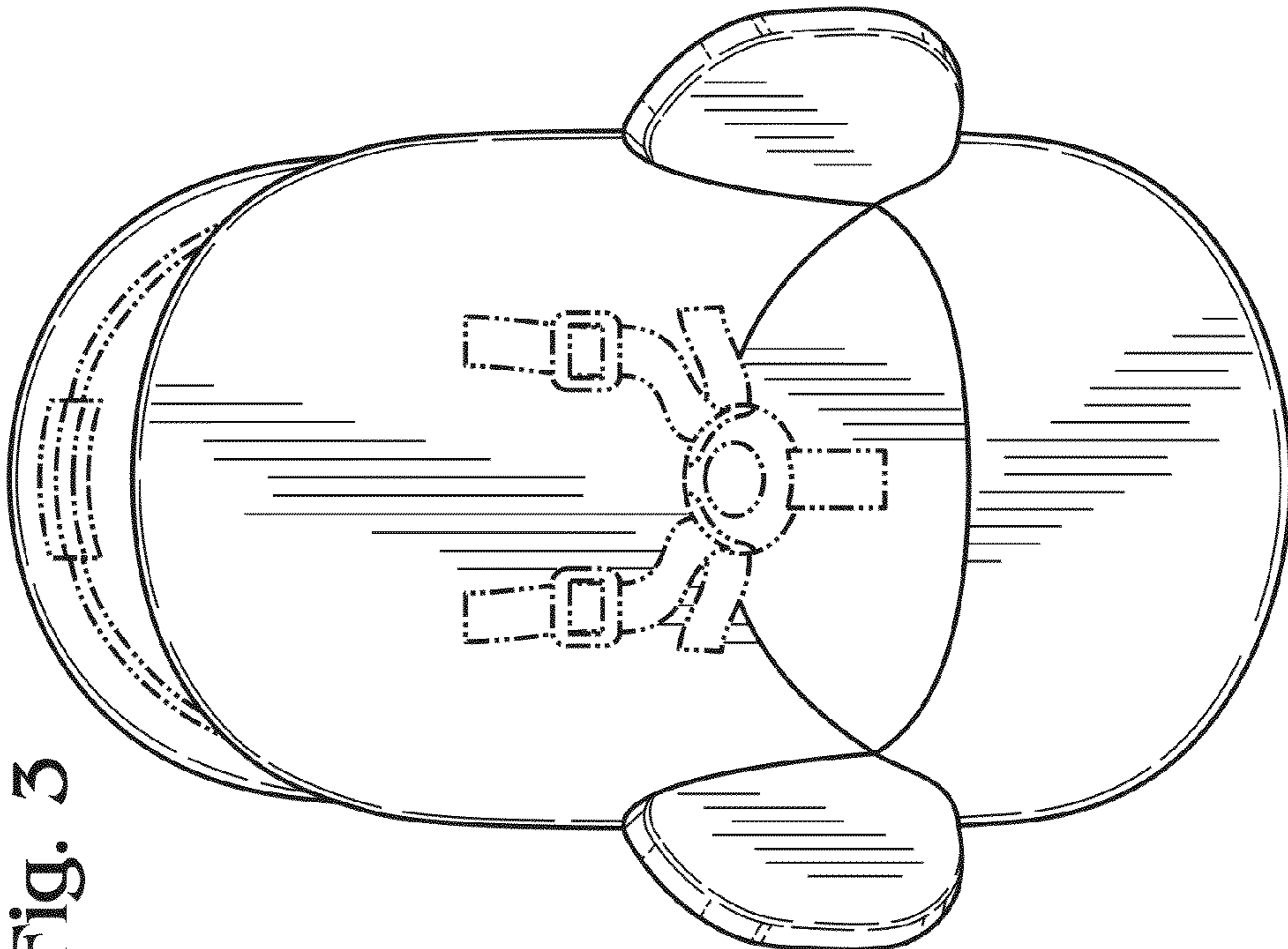


Fig. 3

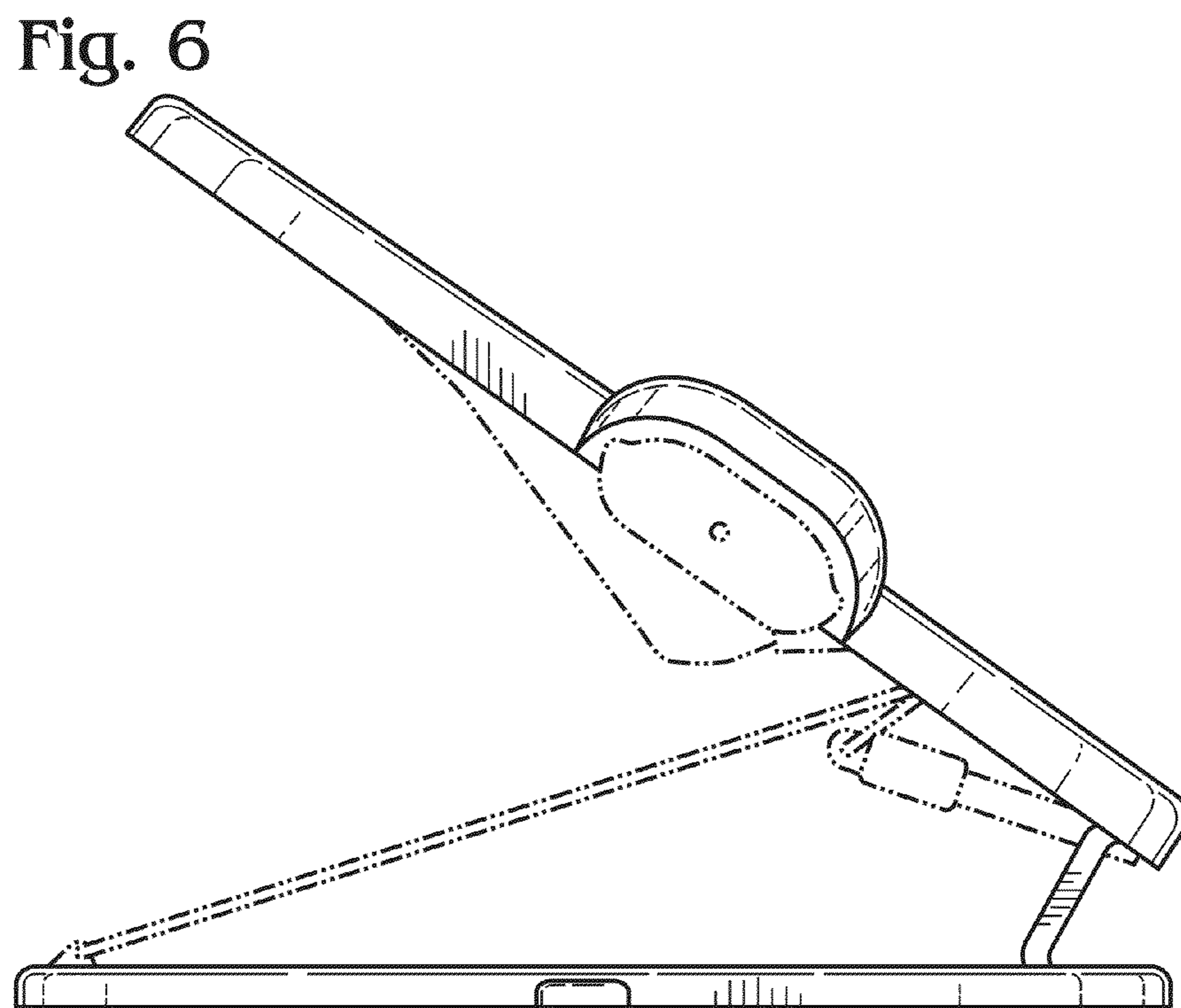
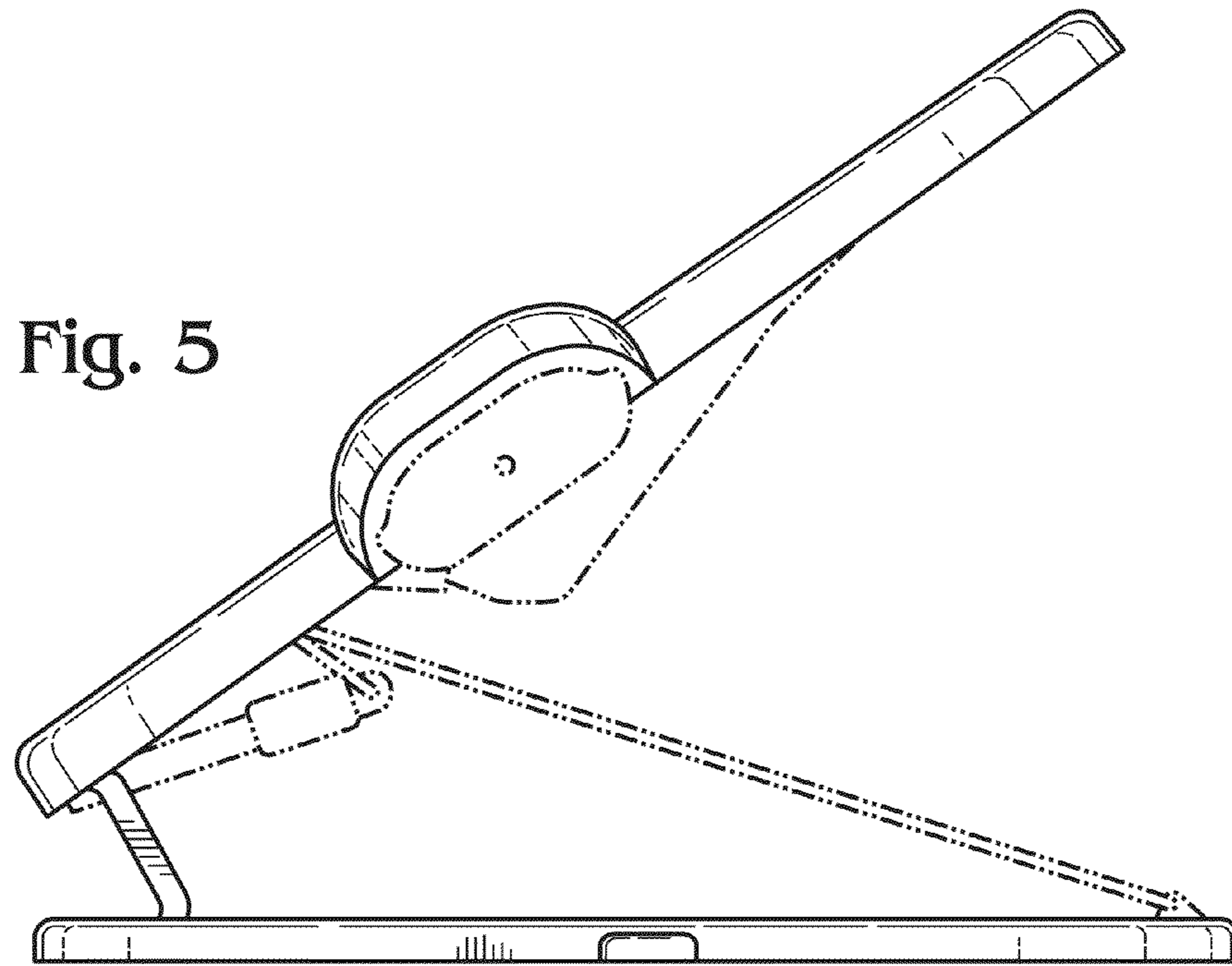


Fig. 7

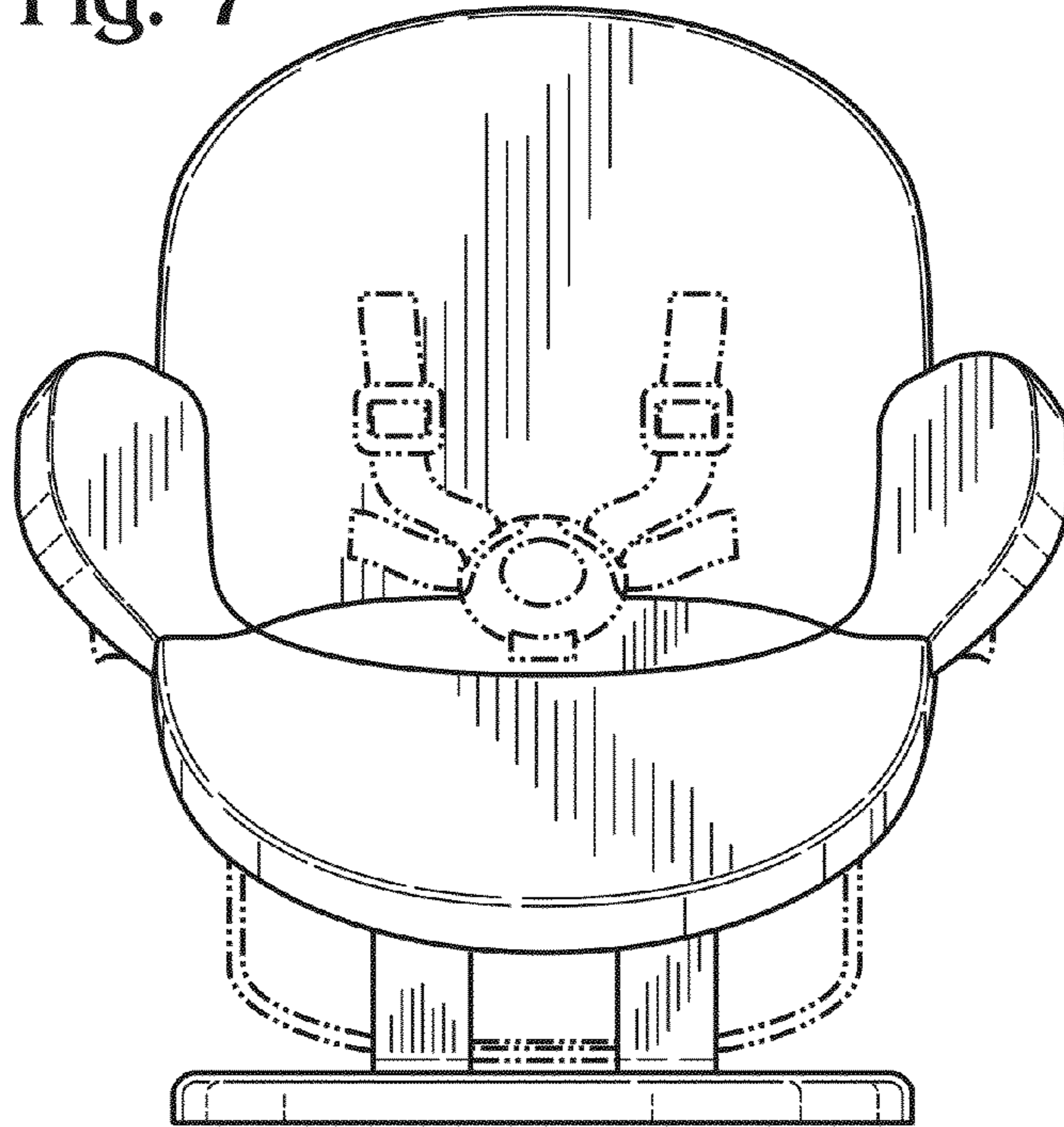


Fig. 8

