

US00D691378S

(12) **United States Design Patent**  
**Taub**

(10) **Patent No.:** **US D691,378 S**  
(45) **Date of Patent:** **\*\* Oct. 15, 2013**

(54) **SCREEN CLEANER**

(71) Applicant: **Stanley Taub**, New York, NY (US)

(72) Inventor: **Stanley Taub**, New York, NY (US)

(\*\*) Term: **14 Years**

(21) Appl. No.: **29/440,164**

(22) Filed: **Dec. 19, 2012**

(51) **LOC (9) Cl.** ..... **04-01**

(52) **U.S. Cl.**  
USPC ..... **D4/122**

(58) **Field of Classification Search**  
USPC ..... D4/122, 128, 138; 15/27, 104.002,  
15/143.1, 230.11; 16/110.1, 430; 492/13,  
492/14, 17, 19

See application file for complete search history.

(56) **References Cited**

**U.S. PATENT DOCUMENTS**

2,401,842 A	6/1946	Slater	
2,423,962 A	7/1947	Clark et al.	
2,542,774 A	2/1951	Hutchinson	
2,658,217 A	11/1953	Green	
3,342,325 A	9/1967	Dreher	
3,378,872 A *	4/1968	Frontera et al.	15/230.11
3,381,325 A	5/1968	Reineman	
3,398,418 A	8/1968	Bogner et al.	
3,421,170 A *	1/1969	Thomas, Jr.	15/104.002
D281,654 S	12/1985	Bladh et al.	
4,571,769 A	2/1986	Ford	
4,979,257 A	12/1990	Heneveld	
D336,784 S	6/1993	Yen	

5,333,341 A	8/1994	Heneveld	
5,400,459 A	3/1995	Jarecke et al.	
7,111,351 B1	9/2006	DeRoma	
D539,545 S	4/2007	Crane et al.	
7,213,291 B2	5/2007	Cheng	
D545,065 S *	6/2007	Smith	D4/199
D626,750 S *	11/2010	Armstrong	D4/114
D635,776 S *	4/2011	Bellot	D4/199
D654,699 S *	2/2012	Ross	D4/116
D681,341 S *	5/2013	Caligaris et al.	D4/122

\* cited by examiner

*Primary Examiner* — Austin Murphy

(74) *Attorney, Agent, or Firm* — Lucas & Mercanti, LLP

(57) **CLAIM**

I claim the ornamental design for a screen cleaner, as shown and described.

**DESCRIPTION**

FIG. 1 is a perspective view of one side of the screen cleaner in the closed positioned;

FIG. 2 is a perspective view of the other side of the screen cleaner in the closed position;

FIG. 3 is one side view thereof;

FIG. 4 is the other side view thereof;

FIG. 5 is one end view thereof;

FIG. 6 is the other end view thereof;

FIG. 7 is a top view thereof;

FIG. 8 is a bottom view thereof;

FIG. 9 is a perspective view of the one side of the screen cleaner in the open position; and,

FIG. 10 is a perspective view of the other side of the screen cleaner in the open position.

**1 Claim, 4 Drawing Sheets**

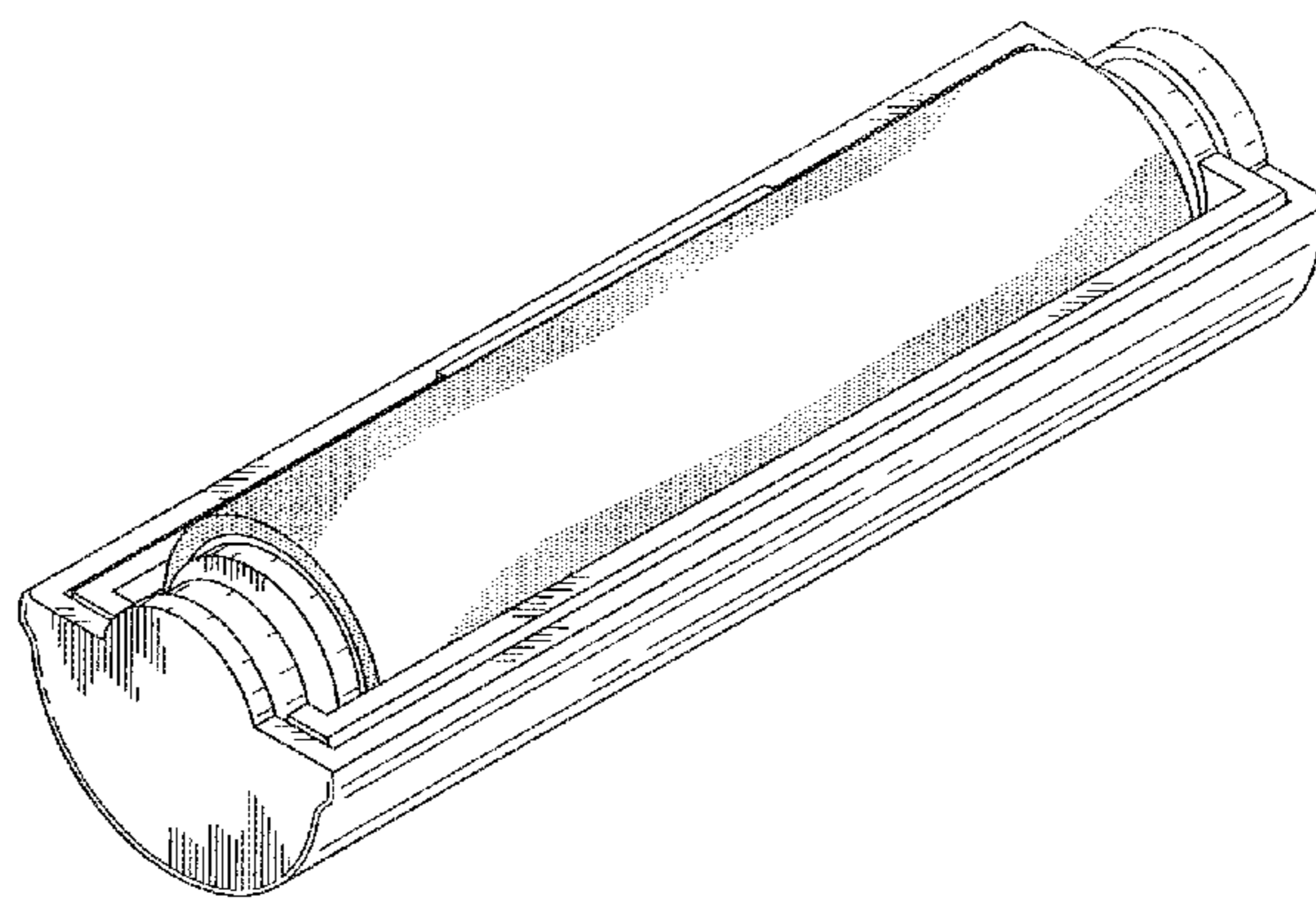
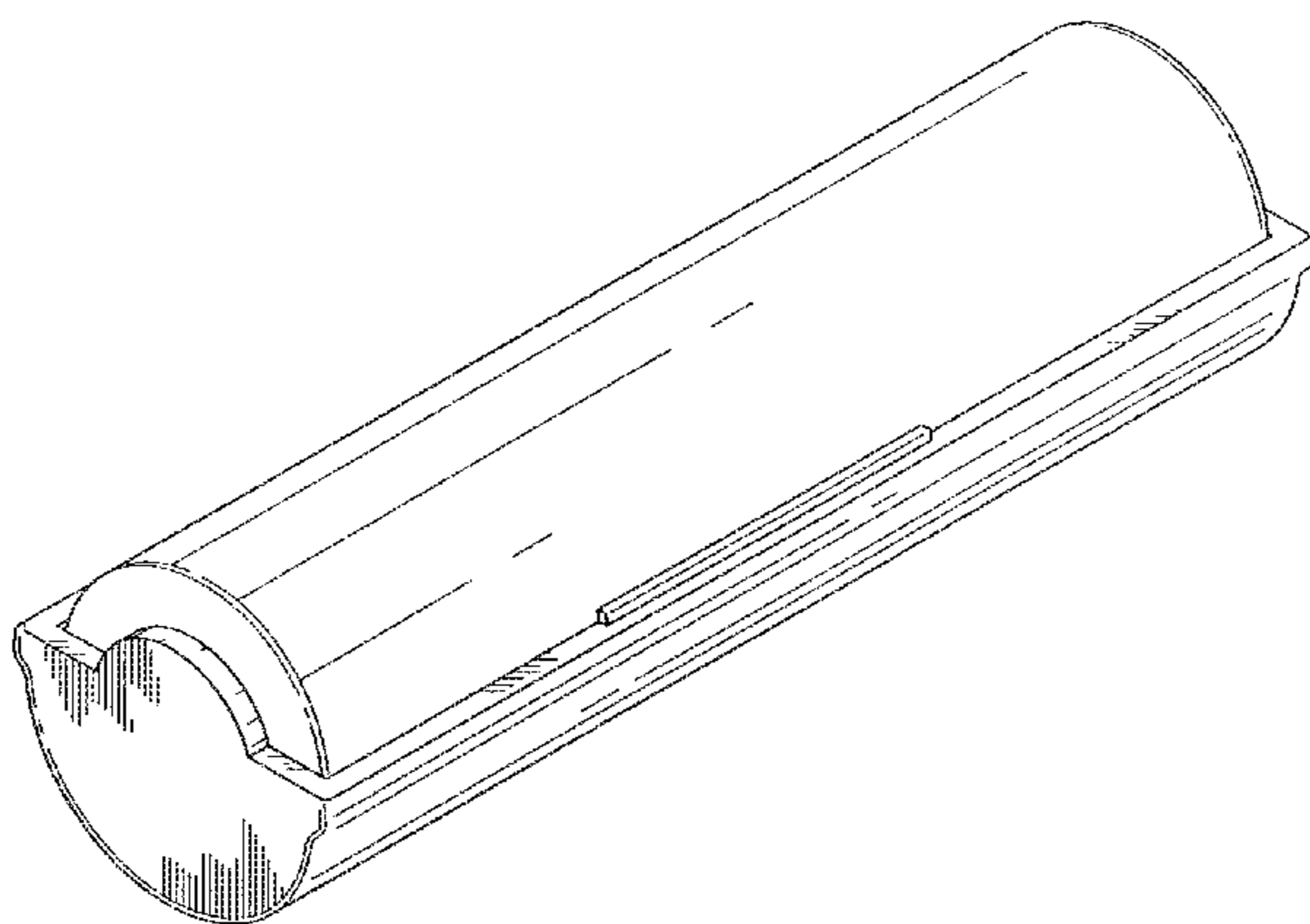


FIG. 1

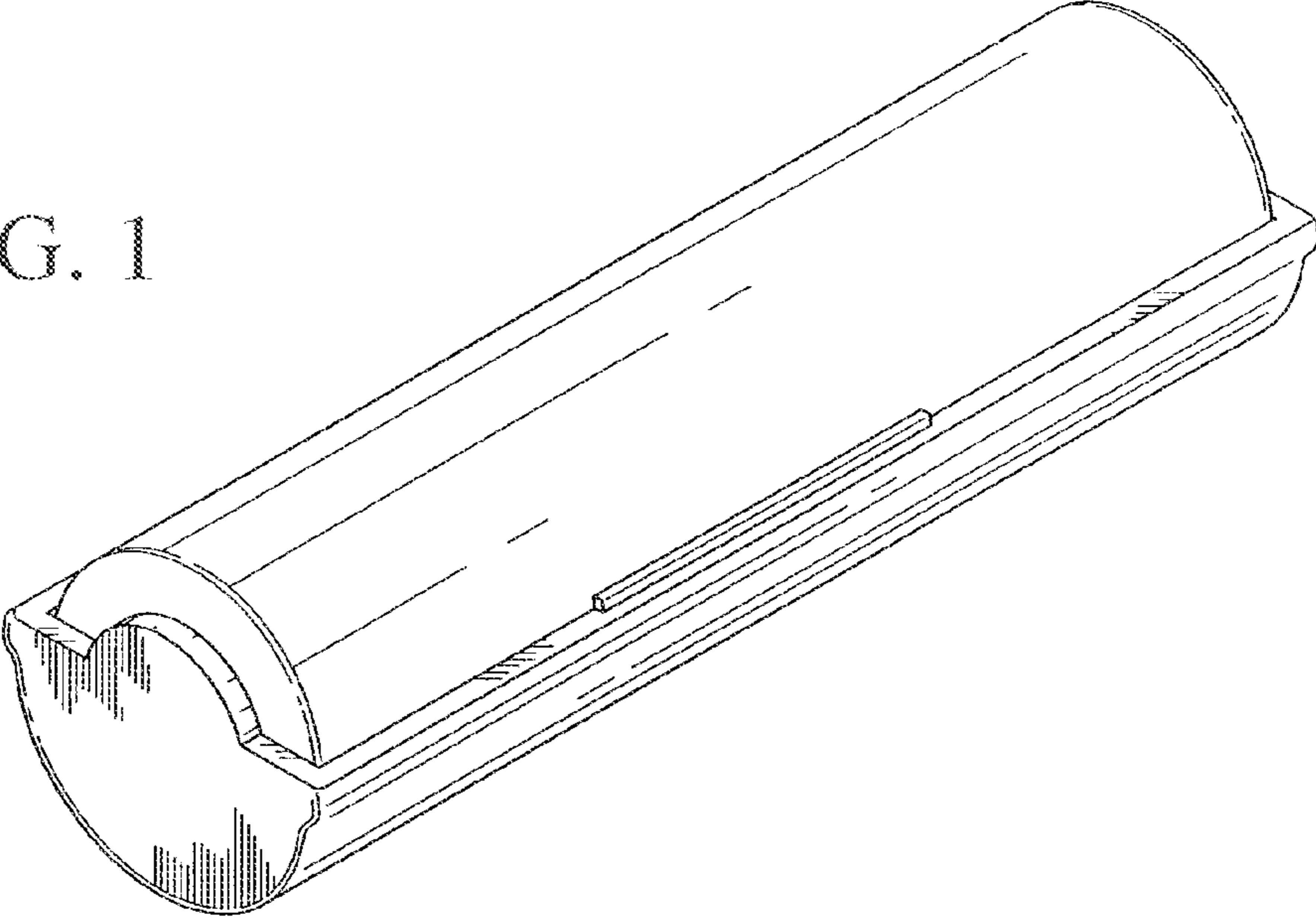
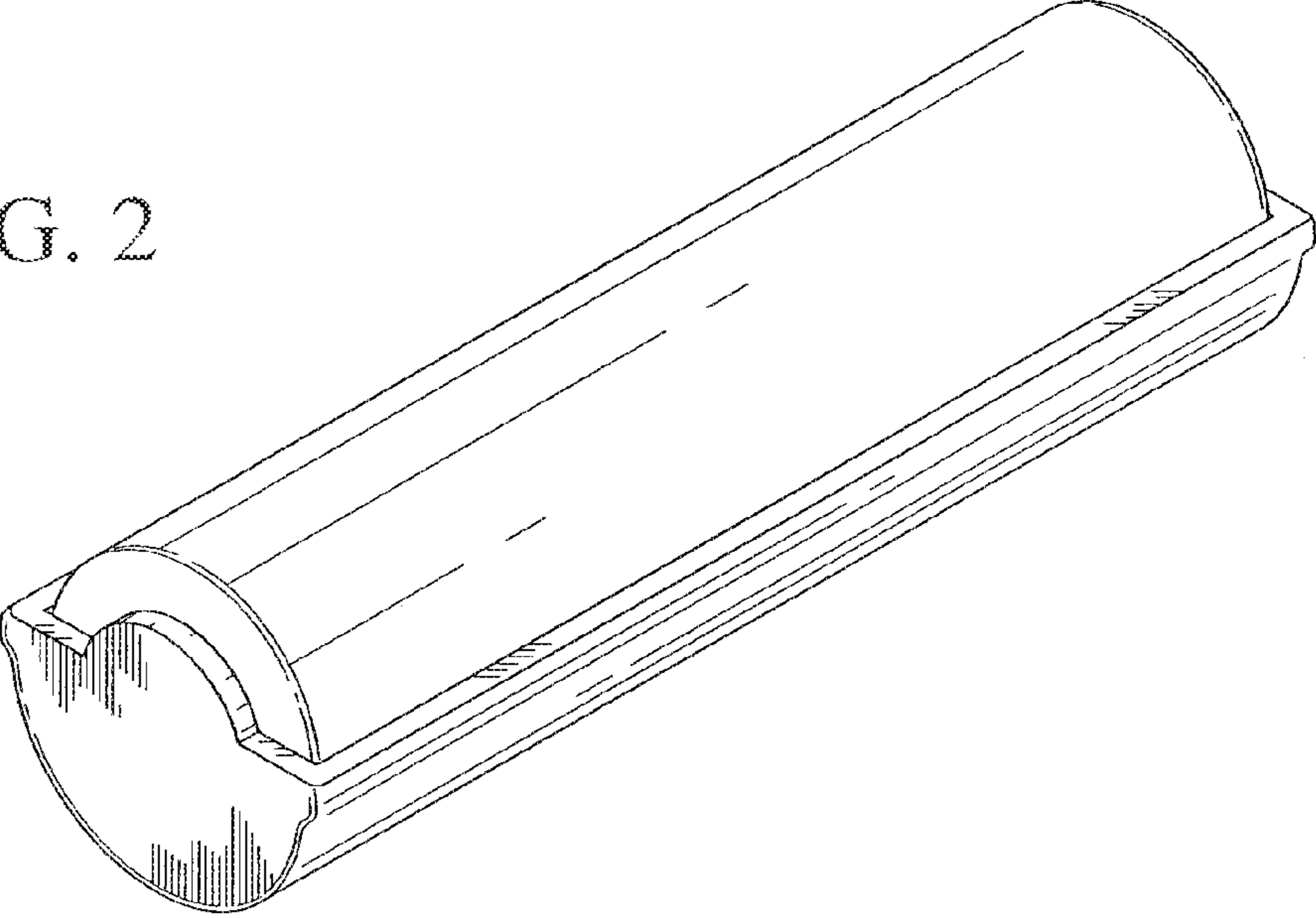


FIG. 2



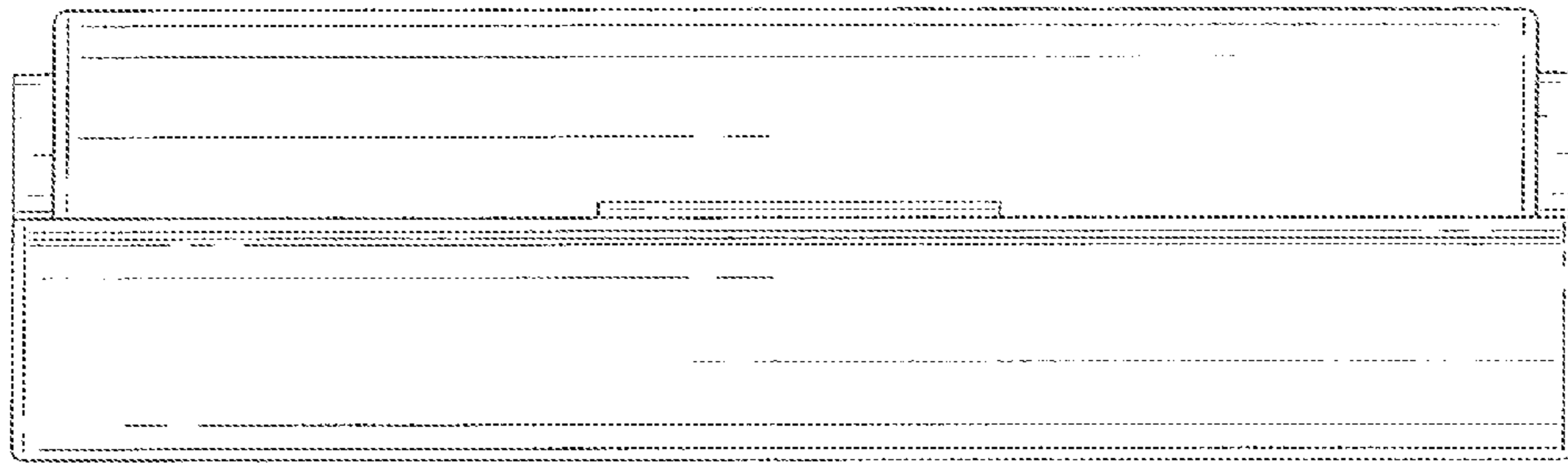


FIG. 3

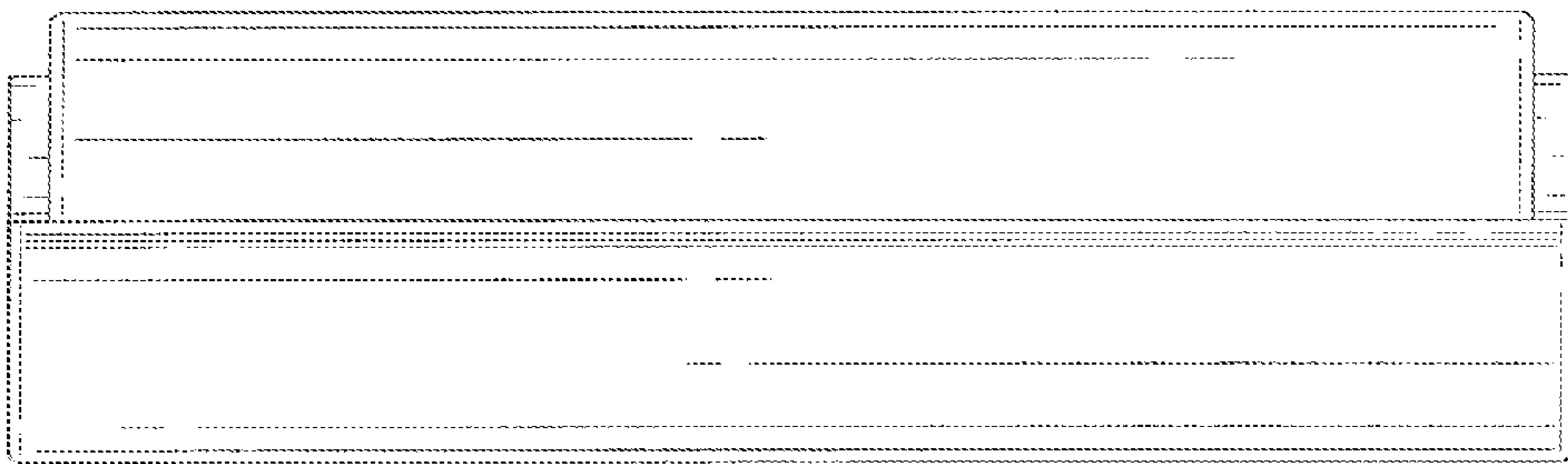


FIG. 4

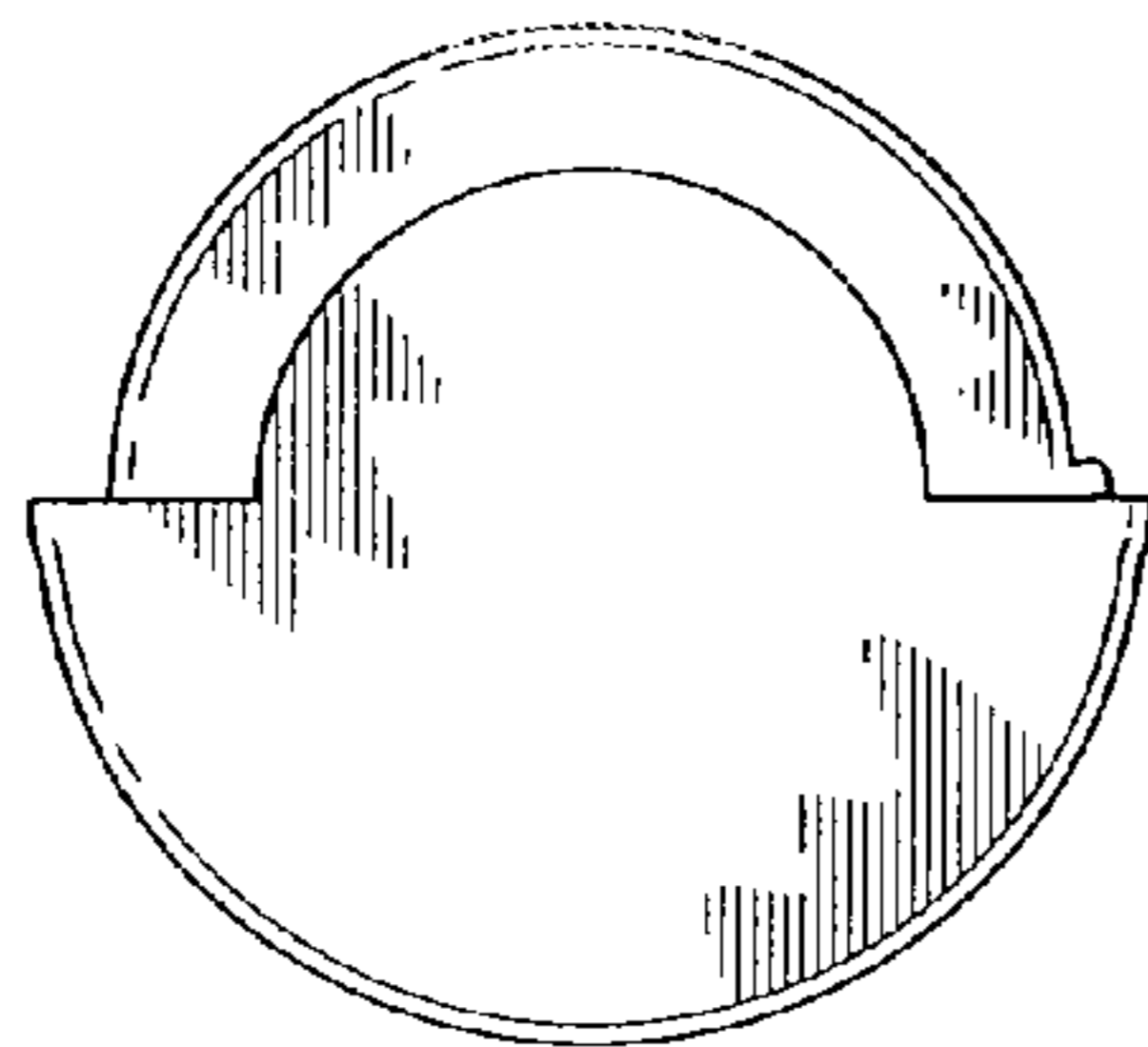


FIG. 5

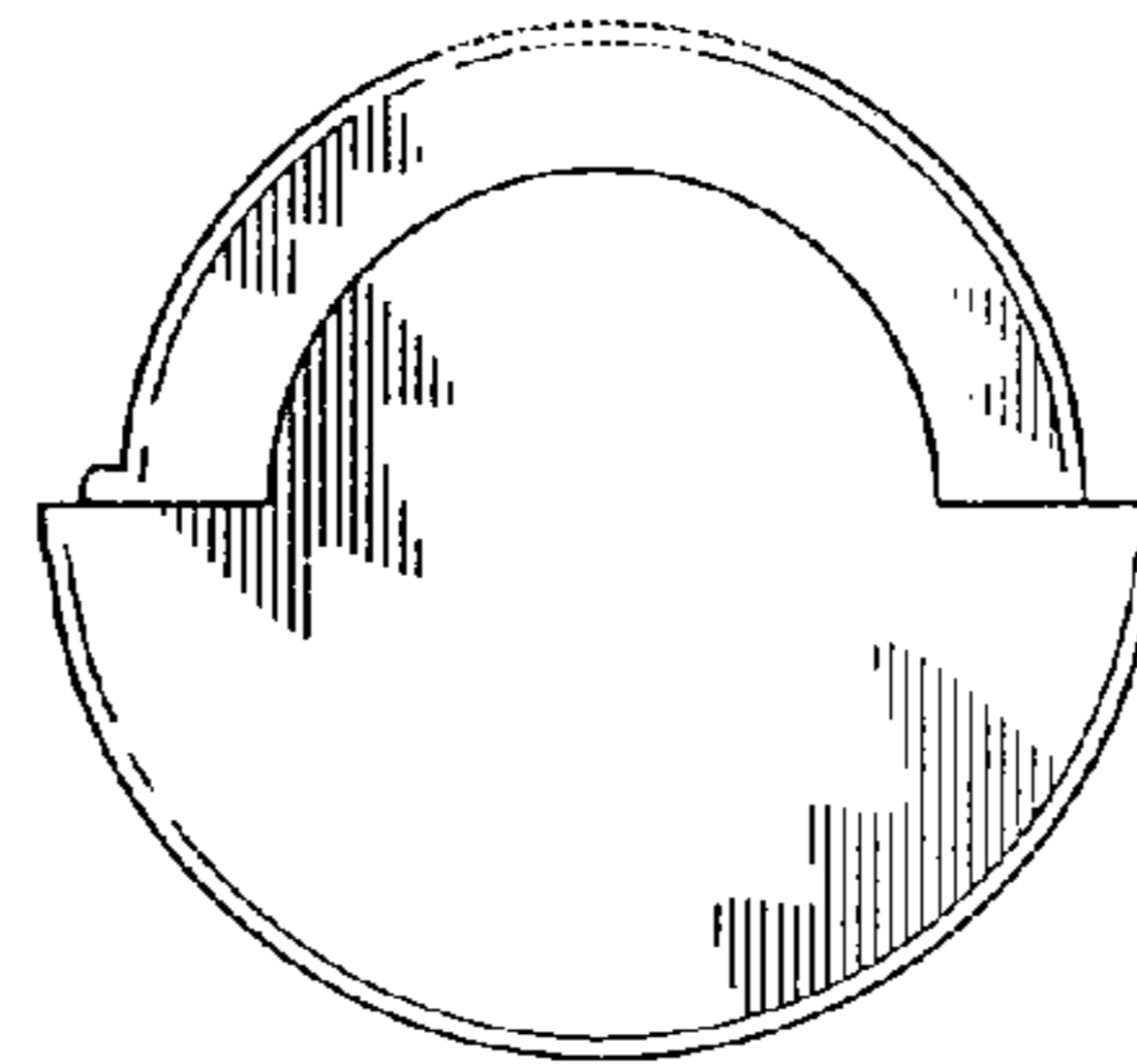


FIG. 6

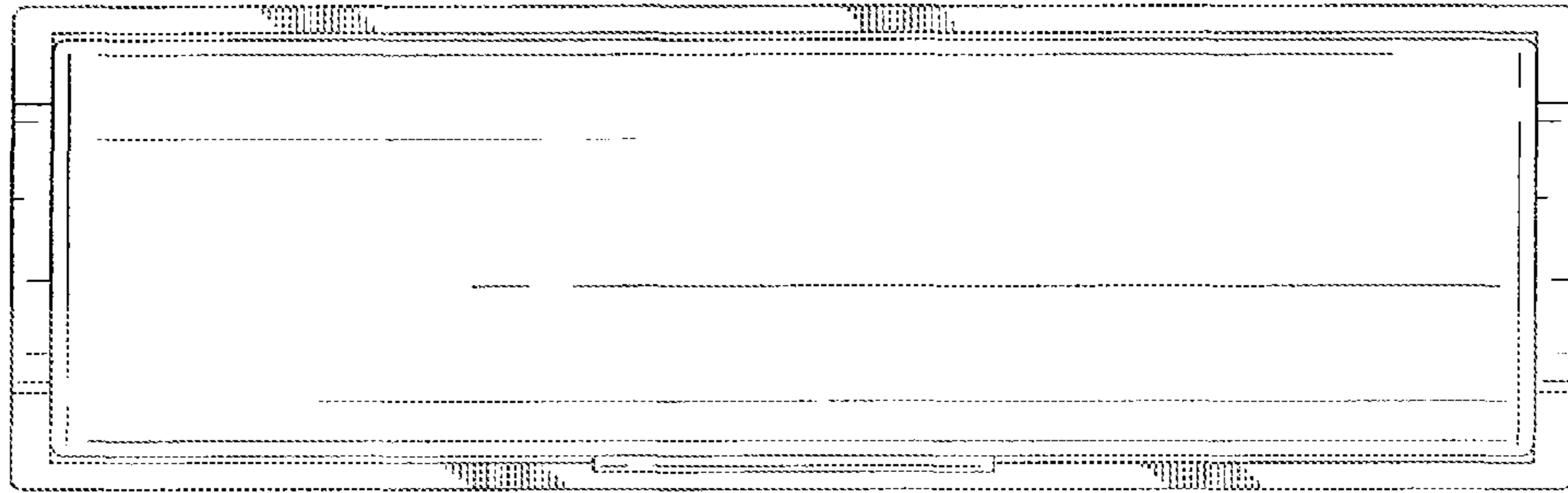


FIG. 7

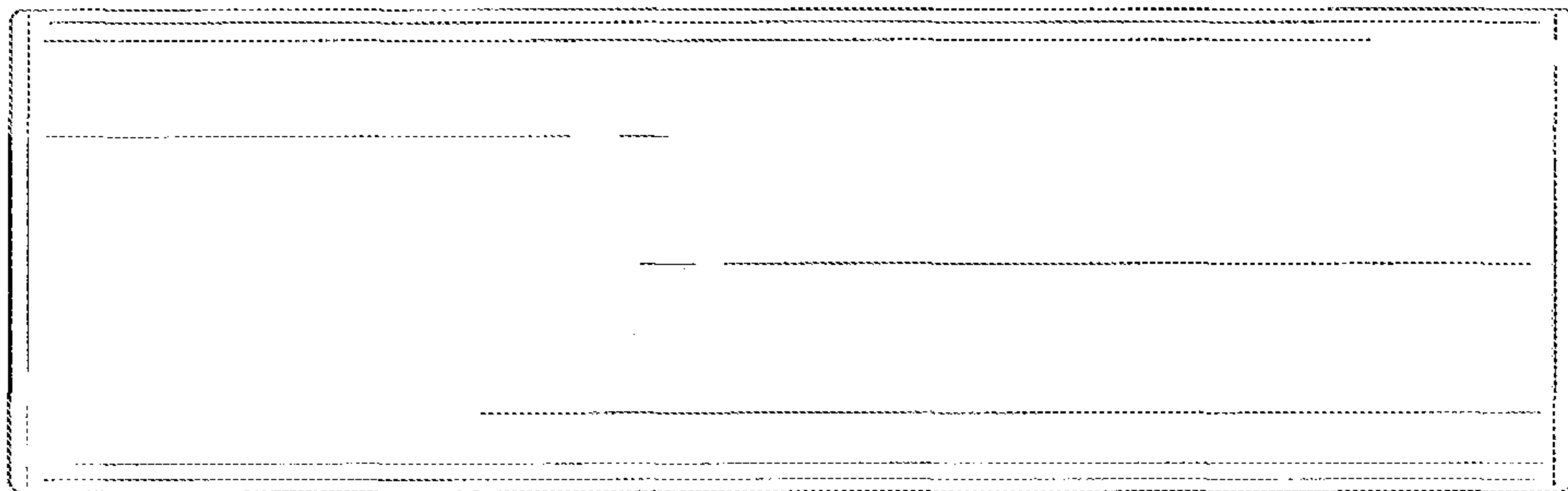


FIG. 8



FIG. 9

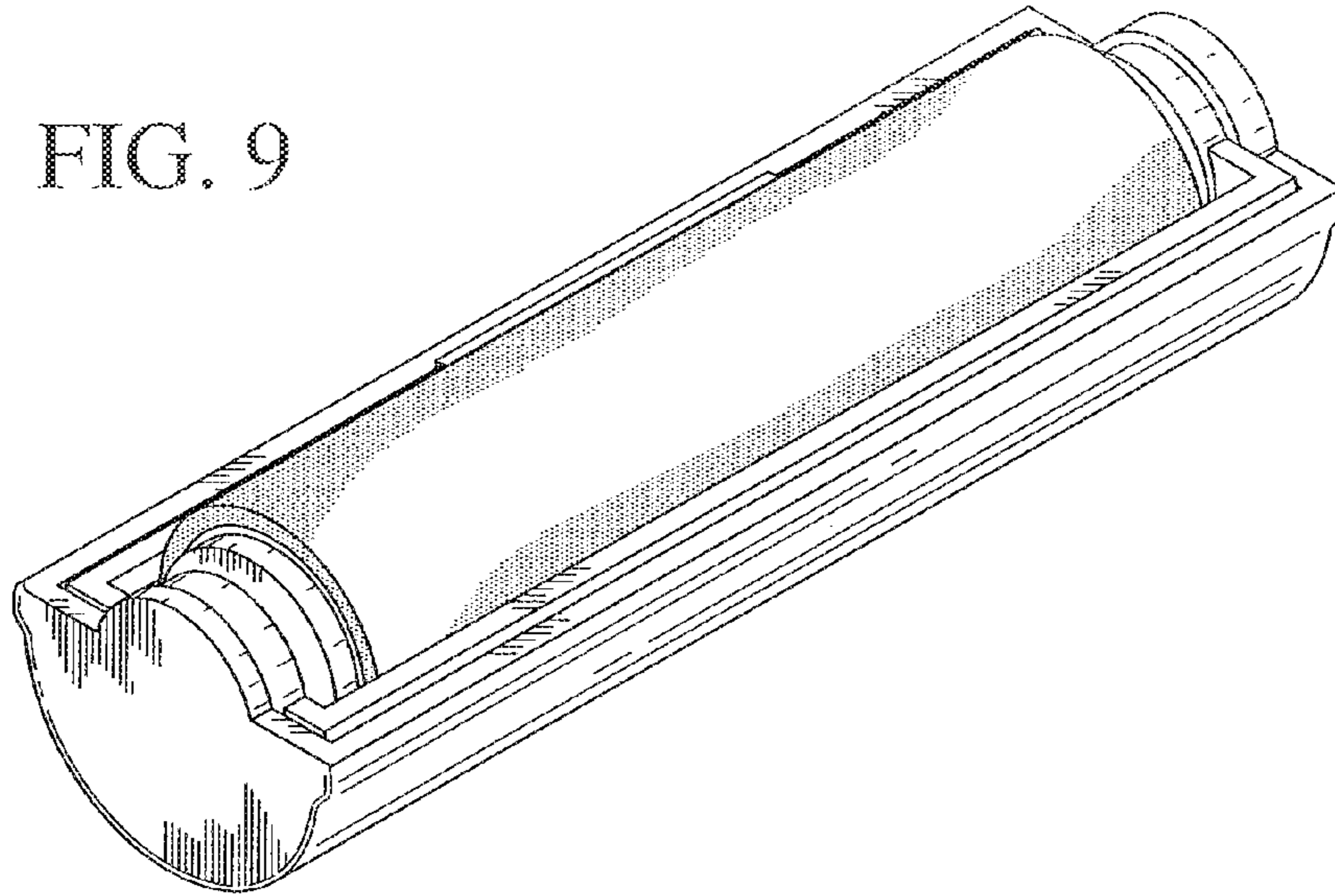


FIG. 10

