



US00D691377S

(12) **United States Design Patent**
Zarrabi et al.

(10) **Patent No.:** **US D691,377 S**
(45) **Date of Patent:** **** Oct. 15, 2013**

(54) **DISPOSABLE TEETH CLEANING SYSTEM**

(76) Inventors: **Saam Zarrabi**, Dallas, TX (US); **Morad Masrouf Rad**, Calabasas, CA (US); **Patrick Zarrabi**, Tarzana, CA (US)

(**) Term: **14 Years**

(21) Appl. No.: **29/427,733**

(22) Filed: **Jul. 21, 2012**

Related U.S. Application Data

(63) Continuation-in-part of application No. 29/411,654, filed on Jan. 24, 2012, now Pat. No. Des. 666,006.

(51) **LOC (9) Cl.** **04-02**

(52) **U.S. Cl.**
USPC **D4/108; D28/68**

(58) **Field of Classification Search**
USPC D4/104-112, 134, 138; D24/152, 154;
D28/65, 66, 68; 15/143.1, 167.1,
15/167.2; 132/308-311, 321, 323, 324,
132/328, 329; 601/139, 141
See application file for complete search history.

(56) **References Cited**

U.S. PATENT DOCUMENTS

1,488,214 A	3/1924	Mason
D182,534 S	4/1958	Nowak
2,888,008 A	5/1959	Rosenthal
D221,948 S	9/1971	Centofanti
D240,341 S	6/1976	Najjar
D296,271 S	6/1988	Kobayashi

5,459,898 A	10/1995	Bacolot	
D420,805 S	2/2000	Bahl	
D465,089 S *	11/2002	Harada	D4/104
D525,392 S *	7/2006	Crossman	D28/65
D599,557 S	9/2009	Crossman	
D640,833 S	6/2011	Kang	
D666,006 S *	8/2012	Zarrabi et al.	D4/108

FOREIGN PATENT DOCUMENTS

KR 30-0321304 S * 4/2003

* cited by examiner

Primary Examiner — Melanie H Tung

Assistant Examiner — Lavone D Tabor

(74) *Attorney, Agent, or Firm* — Bill R. Naifeh

(57) **CLAIM**

The ornamental design for a disposable teeth cleaning system, substantially as shown and described.

DESCRIPTION

FIG. 1 is a front perspective view of a disposable teeth cleaning system;

FIG. 2 is a left side view thereof;

FIG. 3 is a right side view thereof;

FIG. 4 is a front view thereof;

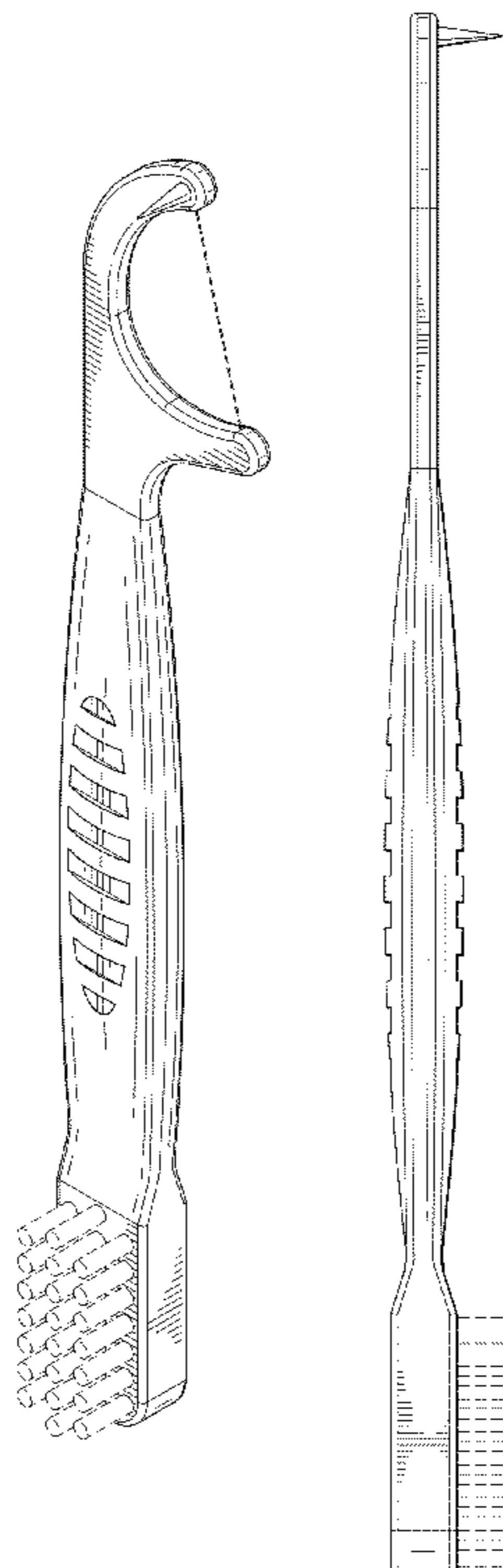
FIG. 5 is a back view thereof;

FIG. 6 is a top view thereof; and,

FIG. 7 is a bottom view thereof.

The broken lines showing bristles and floss illustrate portions of the teeth cleaning system that form no part of the claimed design.

1 Claim, 3 Drawing Sheets



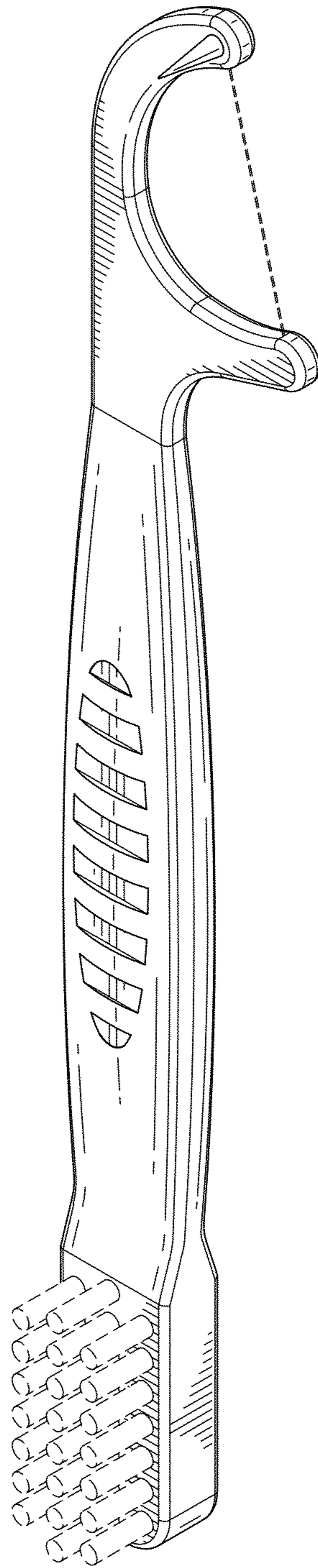


FIG. 1

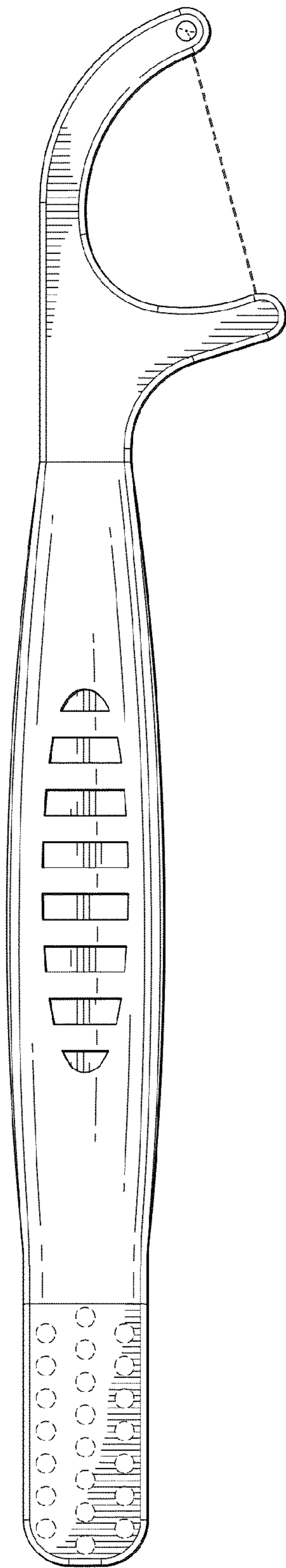


FIG. 2

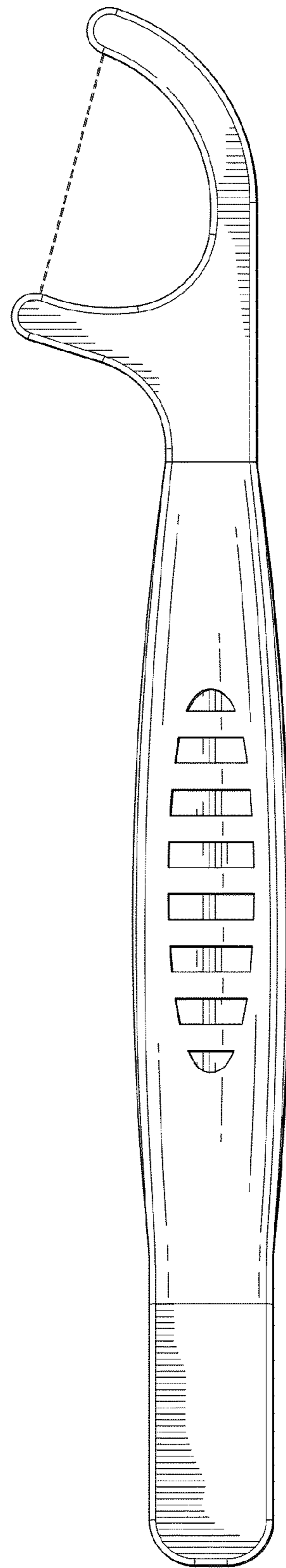


FIG. 3

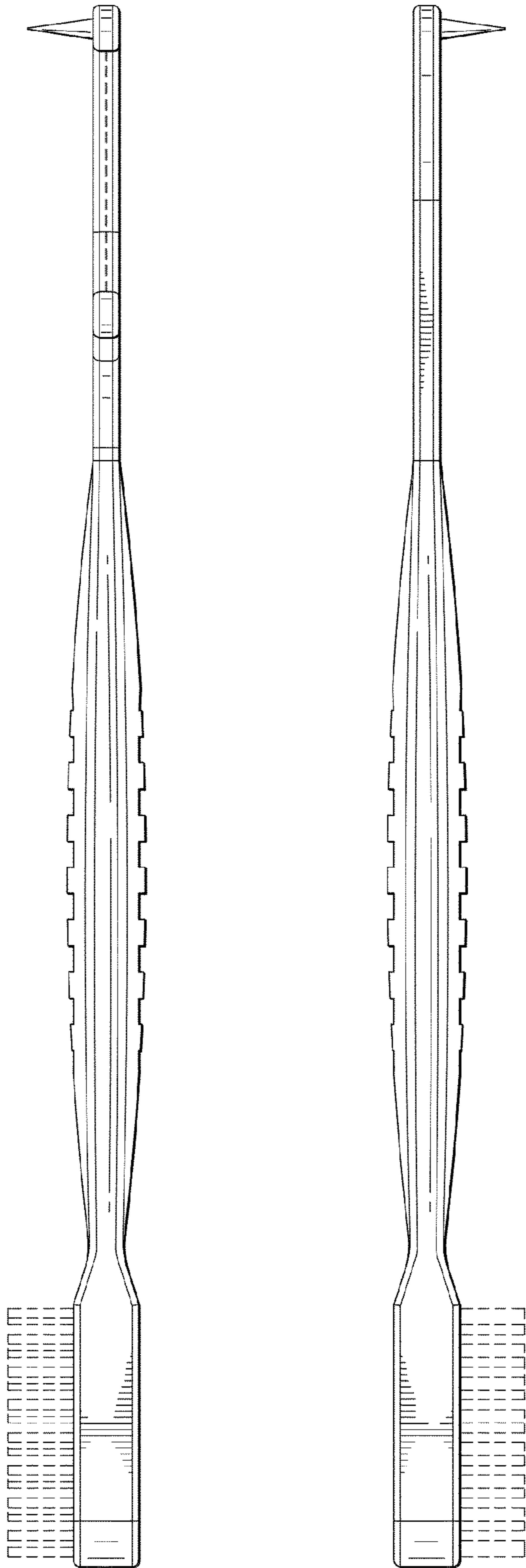


FIG. 4

FIG. 5

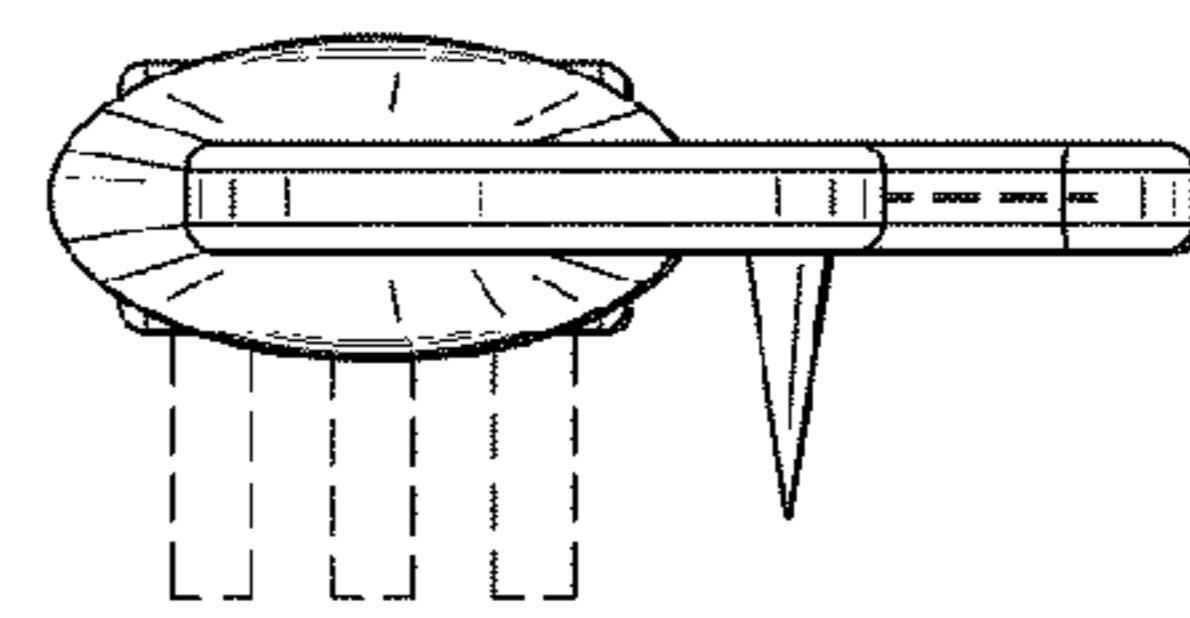


FIG. 6

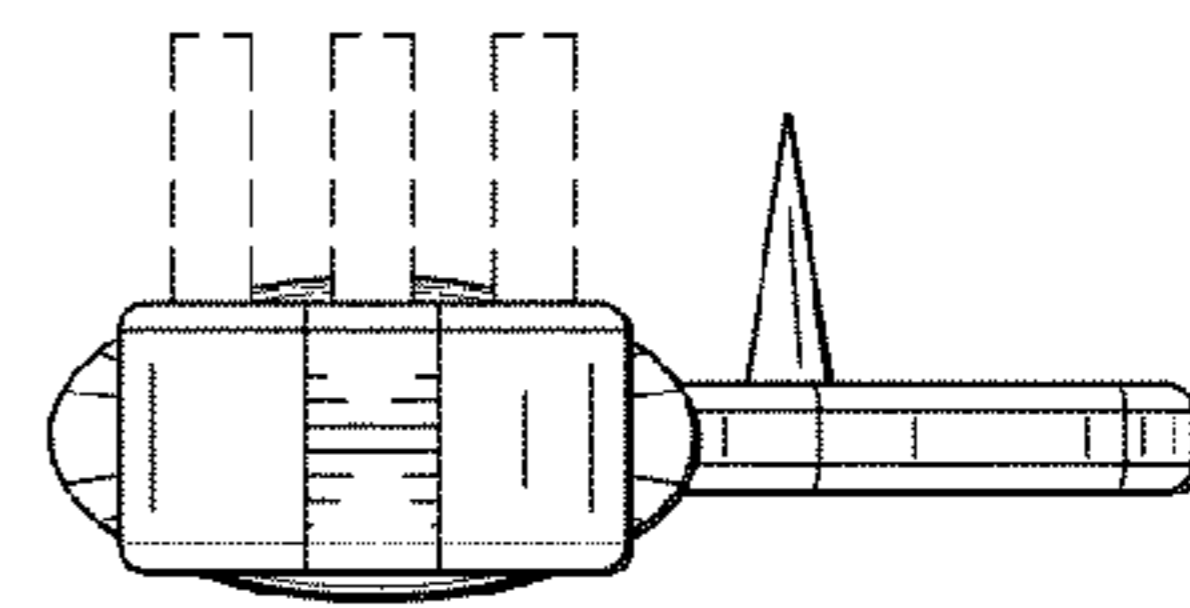


FIG. 7