

US00D691373S

(12) **United States Design Patent**
Irvine

(10) **Patent No.:** **US D691,373 S**
(45) **Date of Patent:** **** Oct. 15, 2013**

(54) **MOBILE PHONE CASE**

(75) Inventor: **James Irvine**, Milan (IT)

(73) Assignee: **KDDI Corporation**, Tokyo (JP)

(**) Term: **14 Years**

(21) Appl. No.: **29/403,753**

(22) Filed: **Oct. 11, 2011**

(30) **Foreign Application Priority Data**

Apr. 11, 2011 (JP) 2011-008328

(51) **LOC (9) Cl.** **03-01**

(52) **U.S. Cl.**
USPC **D3/303; D3/218**

(58) **Field of Classification Search**
USPC D3/218, 215, 219, 201, 303, 269, 272;
224/674-677, 680-683, 901, 240, 250;
D14/138, 250-251, 253, 345, 432,
D14/439-440; 206/305, 320;
455/575.1-575.8; 379/406.1
See application file for complete search history.

(56) **References Cited**

U.S. PATENT DOCUMENTS

- D551,847 S * 10/2007 Yeap et al. D3/201
- D643,619 S * 8/2011 Littleton D3/215
- 8,073,131 B2 * 12/2011 Bodkin et al. 379/406.01
- D654,265 S * 2/2012 Roy D3/218
- D680,744 S * 4/2013 Rashid D3/303

* cited by examiner

Primary Examiner — Catheri Oliver-Garcia

(74) *Attorney, Agent, or Firm* — Westerman, Hattori,
Daniels & Adrian, LLP

(57) **CLAIM**

The ornamental design for a mobile phone case, as shown and described.

DESCRIPTION

FIG. 1 is a perspective view of a mobile phone case.
 FIG. 2 is a front elevation view thereof.
 FIG. 3 is a rear elevation view thereof.
 FIG. 4 is a right side elevation view thereof. A left side elevation view is a mirror image of the right side elevation view.
 FIG. 5 is a top plan view thereof.
 FIG. 6 is a bottom plan view thereof.
 FIG. 7 is a cross-sectional view taken along the line 7-7 in FIG. 5.
 FIG. 8 is a reduced front view wherein the upper cover is open.
 FIG. 9 is a reduced right side view wherein the upper cover is open.
 FIG. 10 is a reduced top plan view wherein the upper cover is open.
 FIG. 11 is a reduced bottom plan view wherein the upper cover is open.
 FIG. 12 is a cross-sectional view taken along the line 12-12 in FIG. 10.
 FIG. 13 is a reduced front view wherein the upper and lower covers are open.
 FIG. 14 is a reduced rear view wherein the upper and lower covers are open.
 FIG. 15 is a reduced right side view wherein the upper and lower covers are open.
 FIG. 16 is a reduced top plan view wherein the upper and lower covers are open.
 FIG. 17 is a reduced bottom plan view wherein the upper and lower covers are open; and,
 FIG. 18 is a reference view showing use.
 The portion of the article shown in broken lines is for the purpose of showing environmental structure only and forms no part of the claimed design.

1 Claim, 18 Drawing Sheets

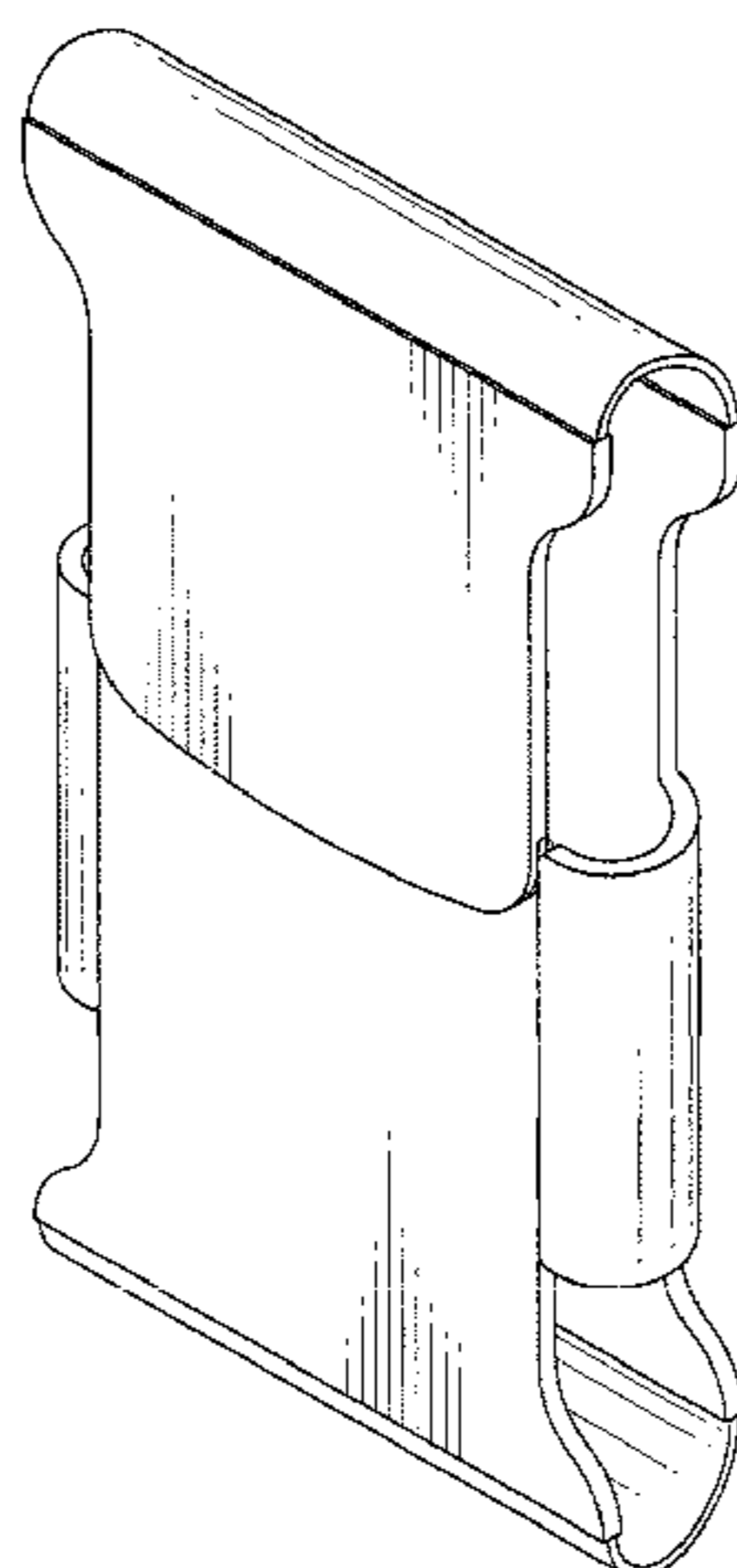


FIG. 1

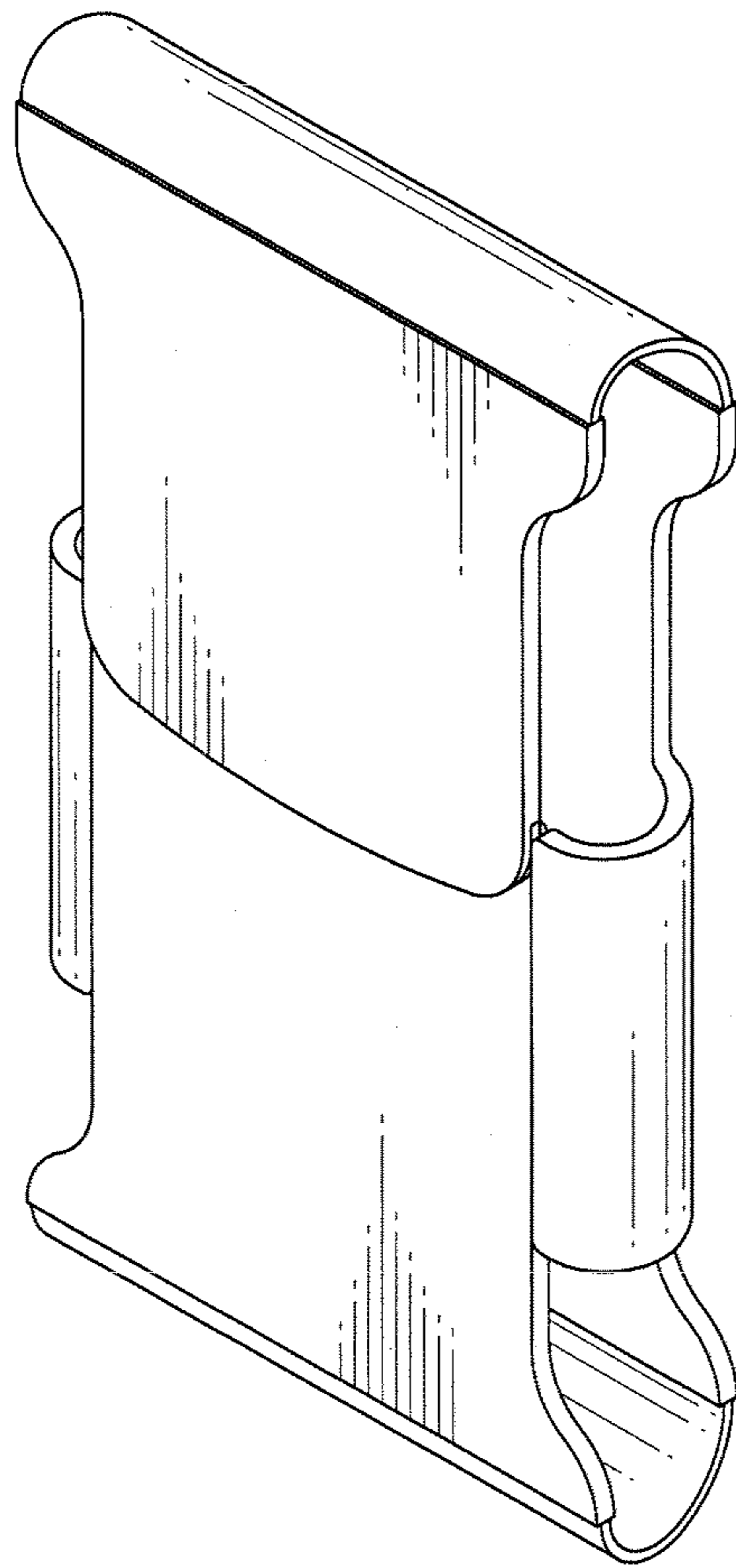


FIG. 2

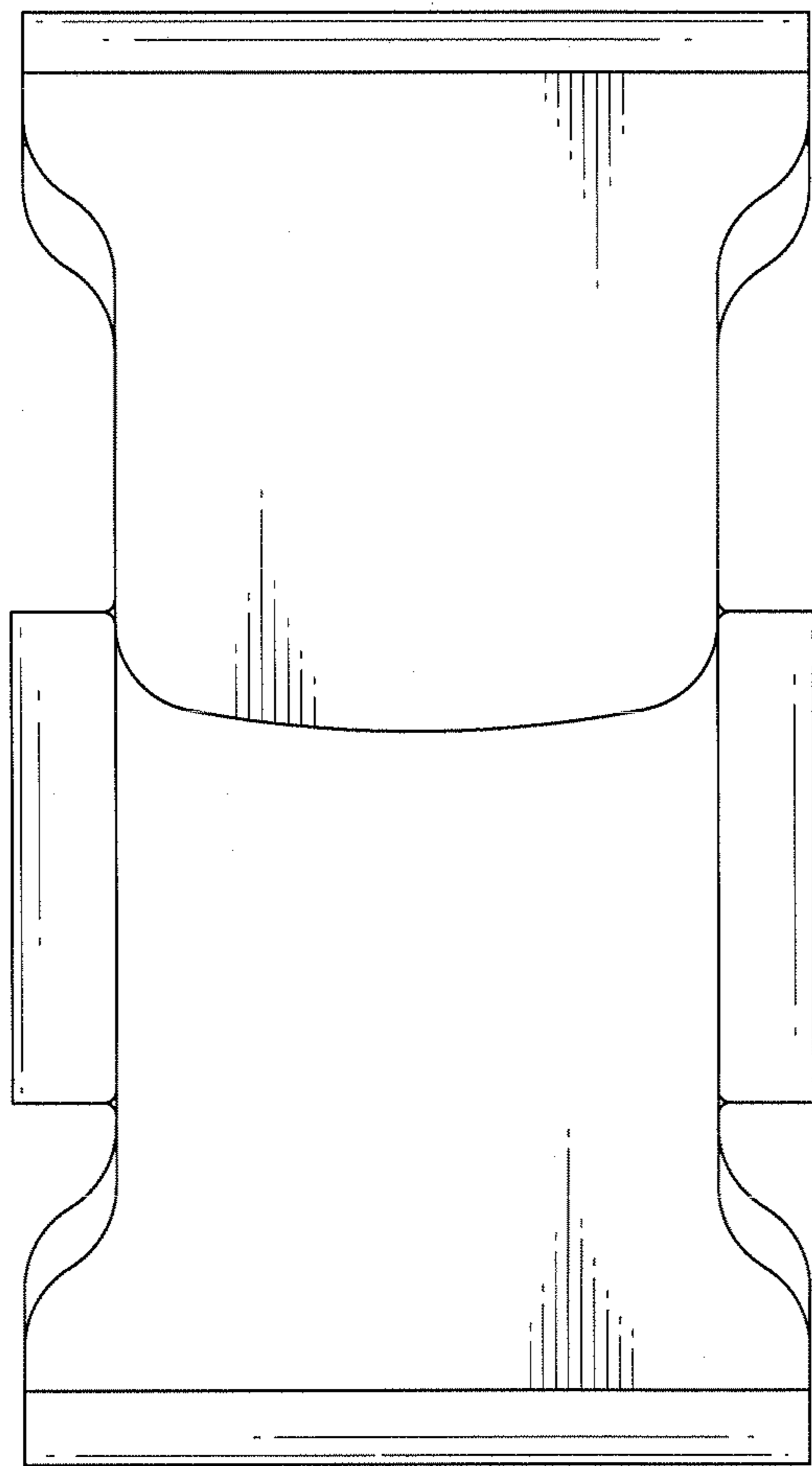


FIG. 3

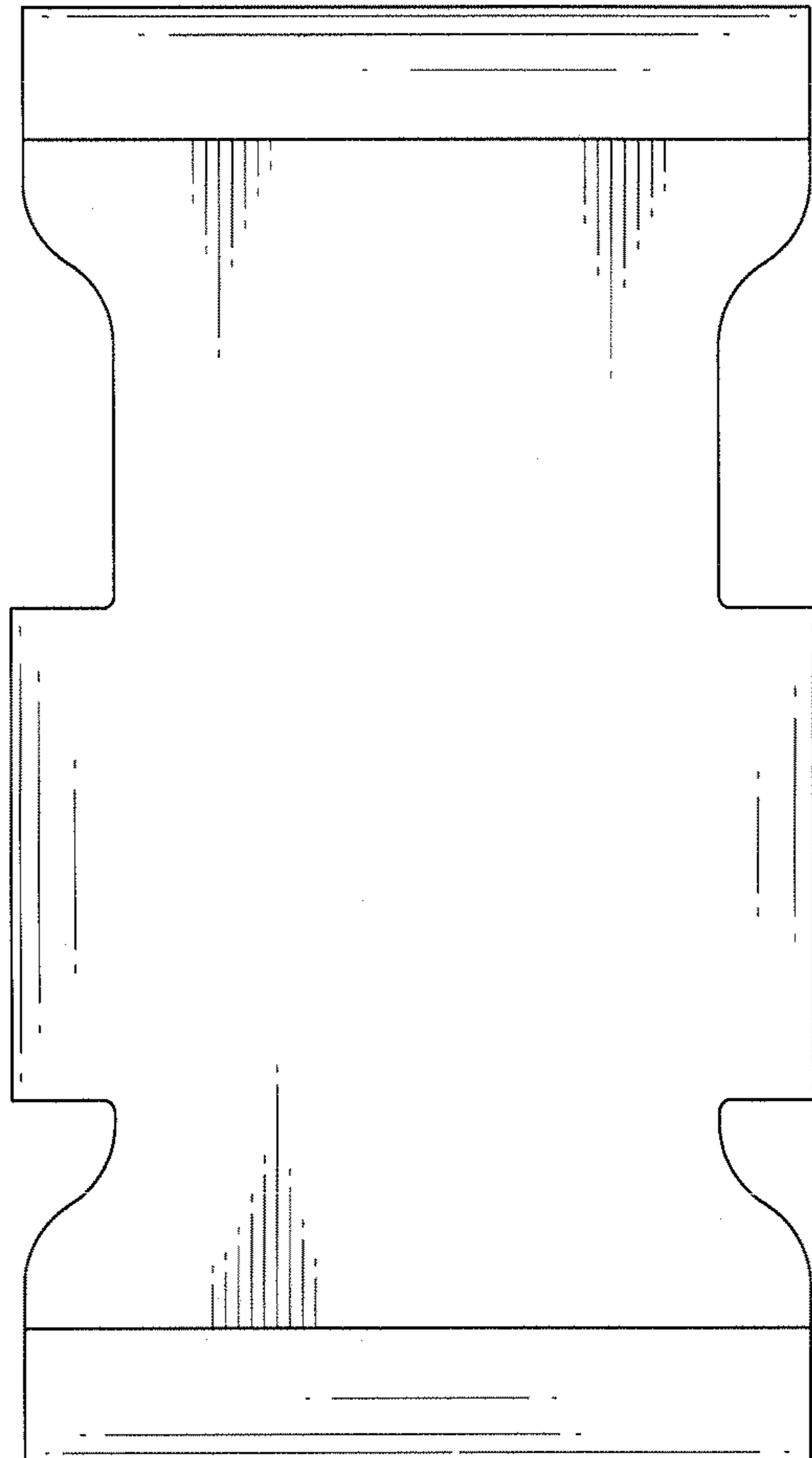


FIG. 4

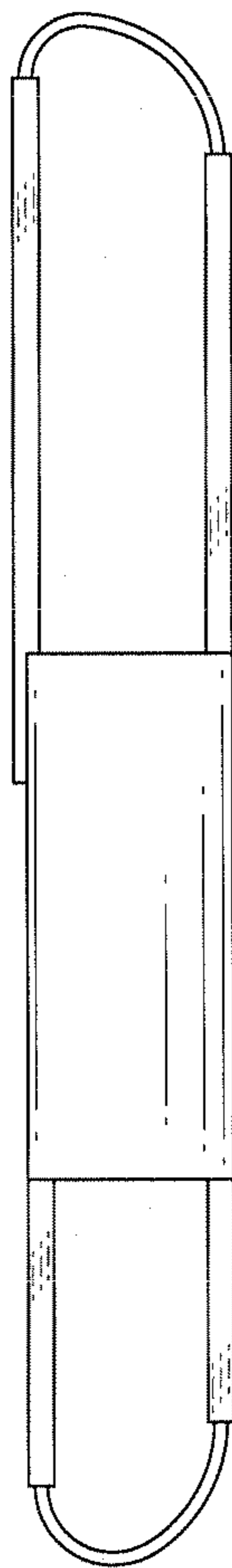


FIG. 5

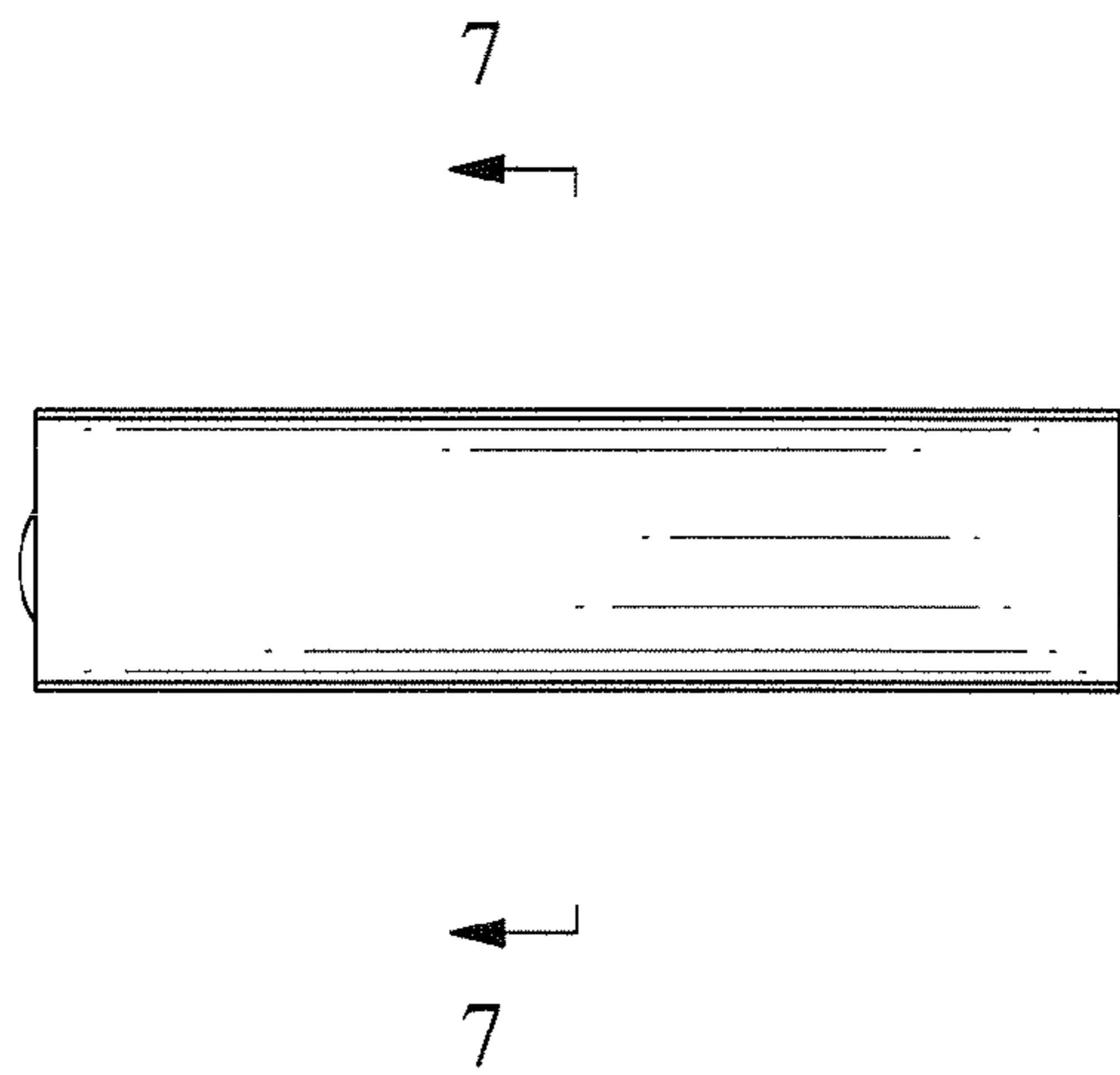


FIG. 6

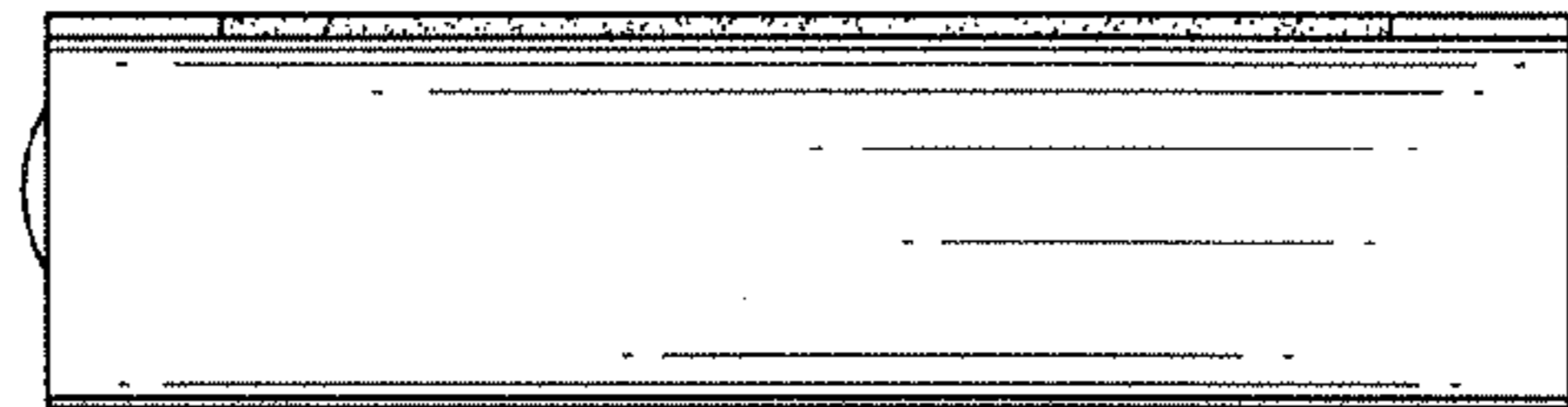


FIG. 7

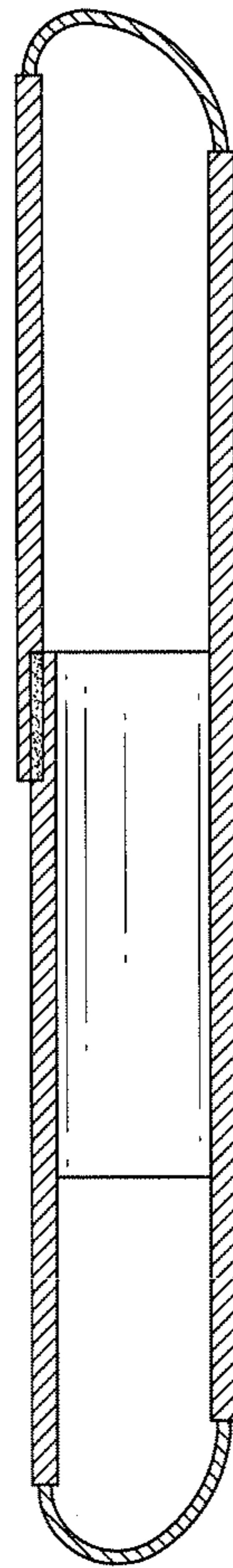


FIG. 8

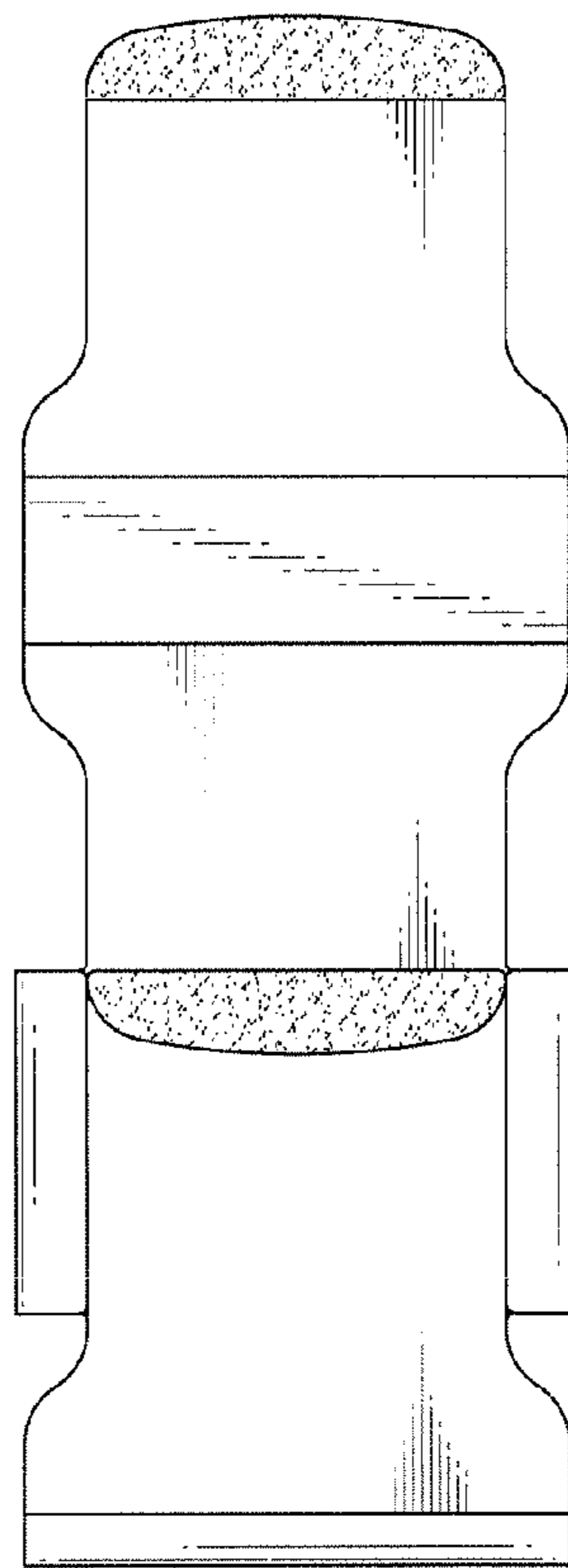


FIG. 9



FIG. 10

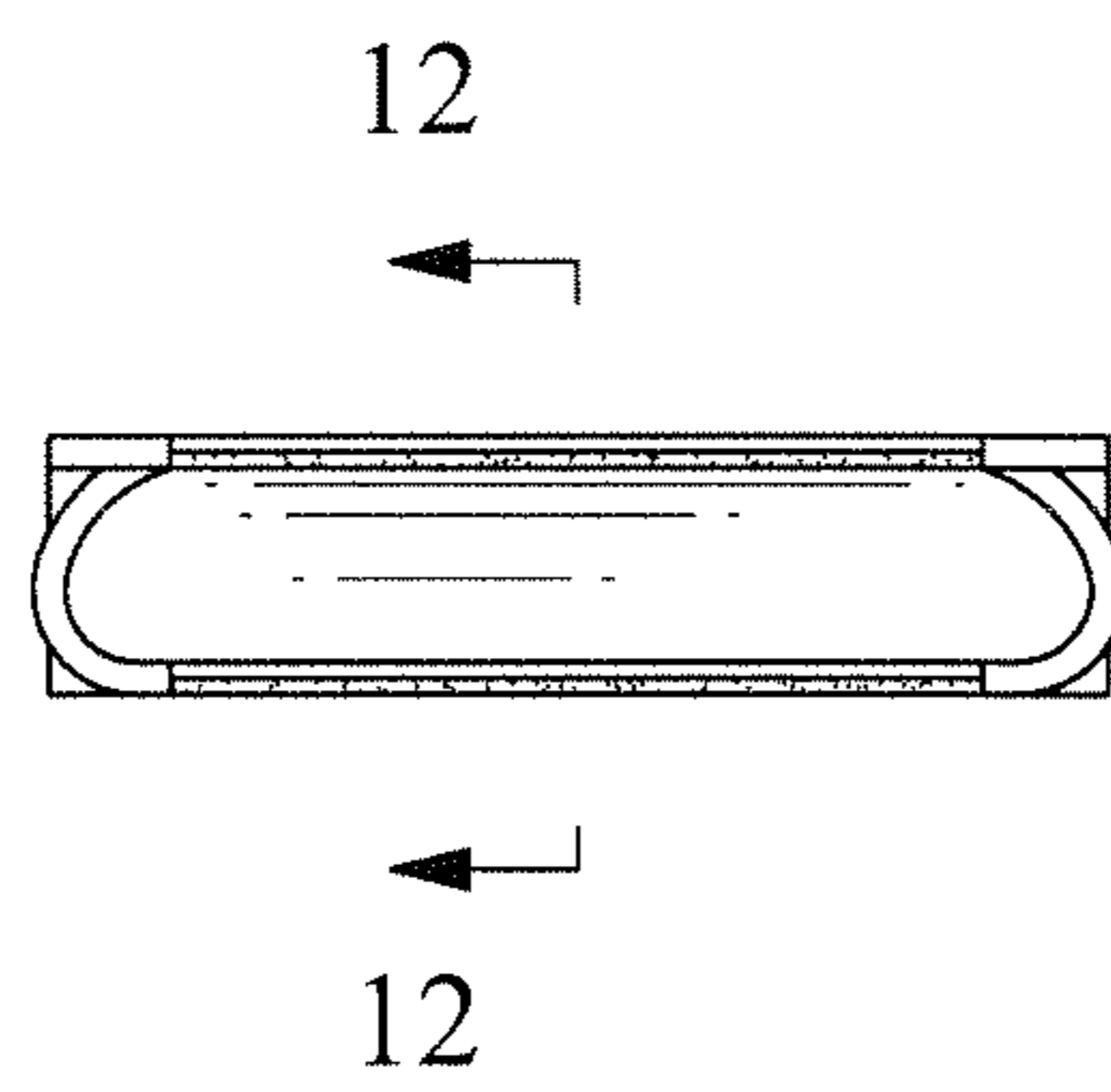


FIG. 11

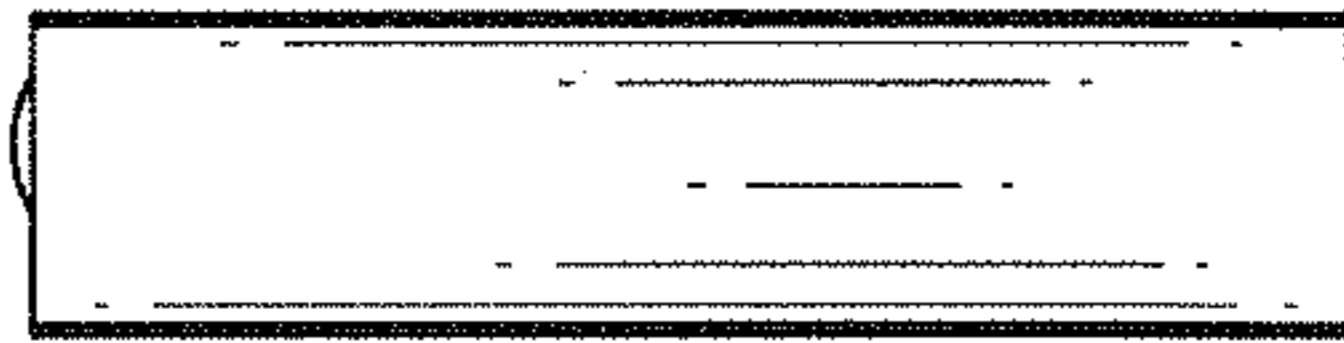


FIG. 12

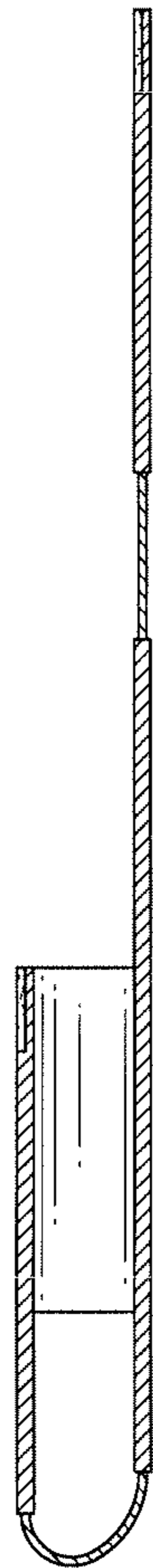


FIG. 13

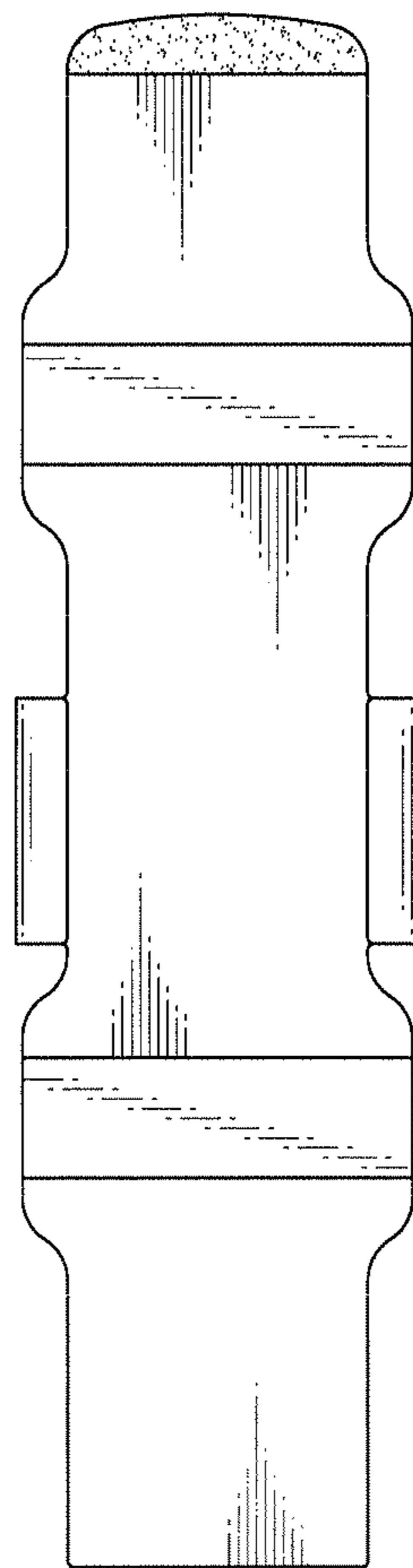


FIG. 14

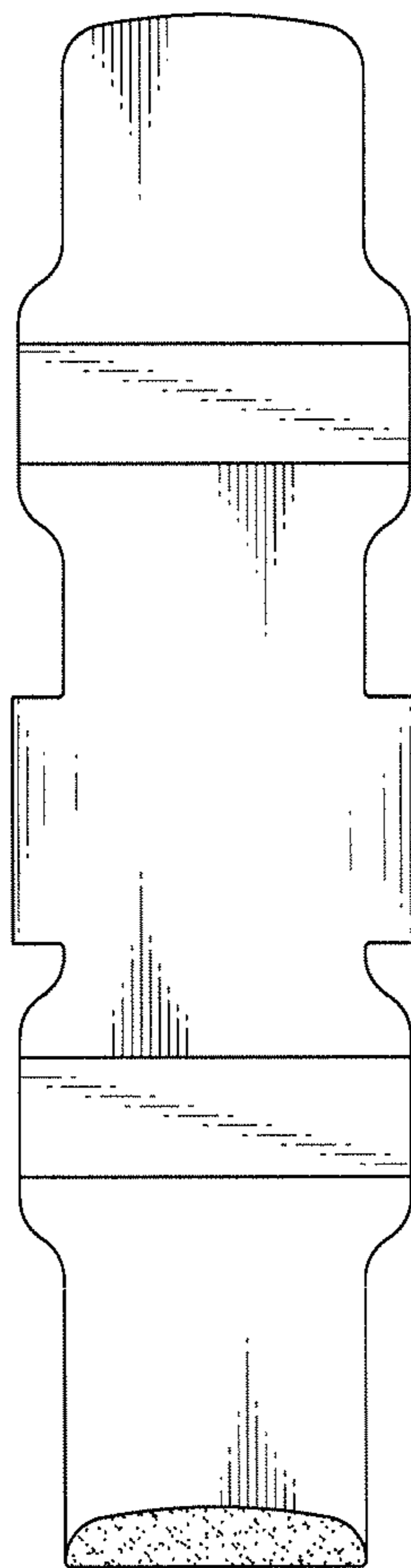


FIG. 15



FIG. 16



FIG. 17



FIG. 18

