

US00D691371S

(12) **United States Design Patent**  
**Chen**

(10) **Patent No.:** **US D691,371 S**

(45) **Date of Patent:** **\*\* Oct. 15, 2013**

(54) **TOOLBOX**

(71) Applicant: **Good Year Hardware Co., Ltd.**,  
Changhua (TW)

(72) Inventor: **Tsai-Ching Chen**, Changhua (TW)

(73) Assignee: **Good Year Hardware Co., Ltd.**,  
Changhua (TW)

(\*\*) Term: **14 Years**

(21) Appl. No.: **29/433,629**

(22) Filed: **Oct. 2, 2012**

(51) **LOC (9) Cl.** ..... **03-01**

(52) **U.S. Cl.**  
USPC ..... **D3/294**

(58) **Field of Classification Search**  
USPC ..... D3/234, 255, 271.9, 320, 256, 262,  
D3/279, 299, 301, 303, 318, 319, 273, 289,  
D3/292, 294-296, 232, 244, 228; D9/424,  
D9/420; D27/189; 206/349; 220/833;  
312/902; 190/100

See application file for complete search history.

(56) **References Cited**

U.S. PATENT DOCUMENTS

4,615,464	A *	10/1986	Byrns	.....	220/4.23
6,213,296	B1 *	4/2001	Streich et al.	.....	206/373
6,405,864	B1 *	6/2002	Streich et al.	.....	206/373
D475,853	S *	6/2003	Chen	.....	D3/294
D502,316	S *	3/2005	Chen	.....	D3/273
D553,857	S *	10/2007	Pendergraph et al.	.....	D3/273
D555,902	S *	11/2007	Pendergraph et al.	.....	D3/273
7,328,796	B2 *	2/2008	Brunson et al.	.....	206/373
D592,399	S *	5/2009	Sage	.....	D3/295
D599,112	S *	9/2009	Wenchel et al.	.....	D3/294

\* cited by examiner

*Primary Examiner* — Sandra Snapp

(74) *Attorney, Agent, or Firm* — Muncy, Geissler, Olds & Lowe, PLLC

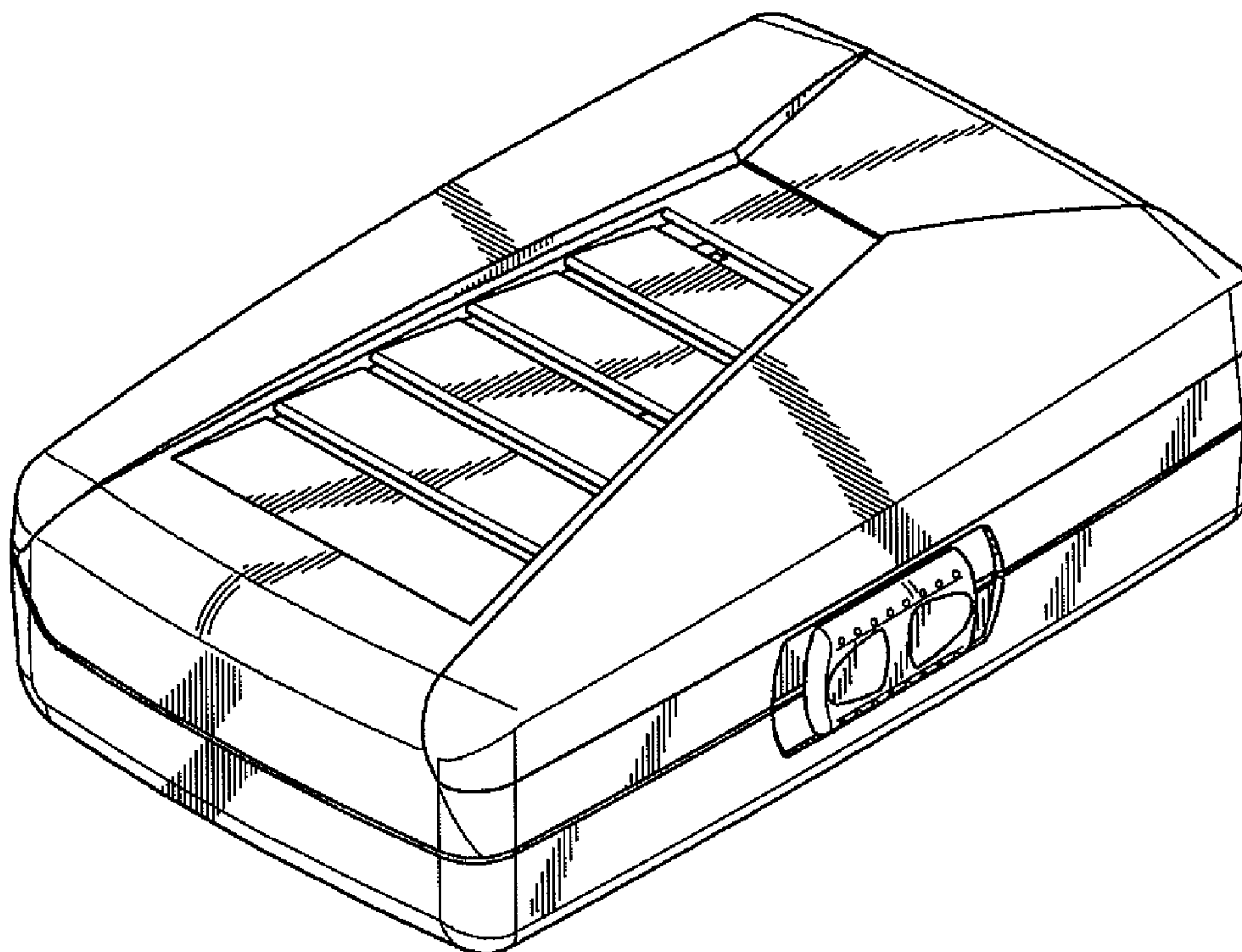
(57) **CLAIM**

The ornamental design for a toolbox, as shown and described.

**DESCRIPTION**

FIG. 1 shows a perspective view of the present design.  
FIG. 2 shows a right side view of the present design.  
FIG. 3 shows a top view of the present design.  
FIG. 4 shows a front view of the present design.  
FIG. 5 shows a bottom view of the present design.  
FIG. 6 shows a left side view of the present design; and,  
FIG. 7 shows a rear view of the present design.

**1 Claim, 4 Drawing Sheets**



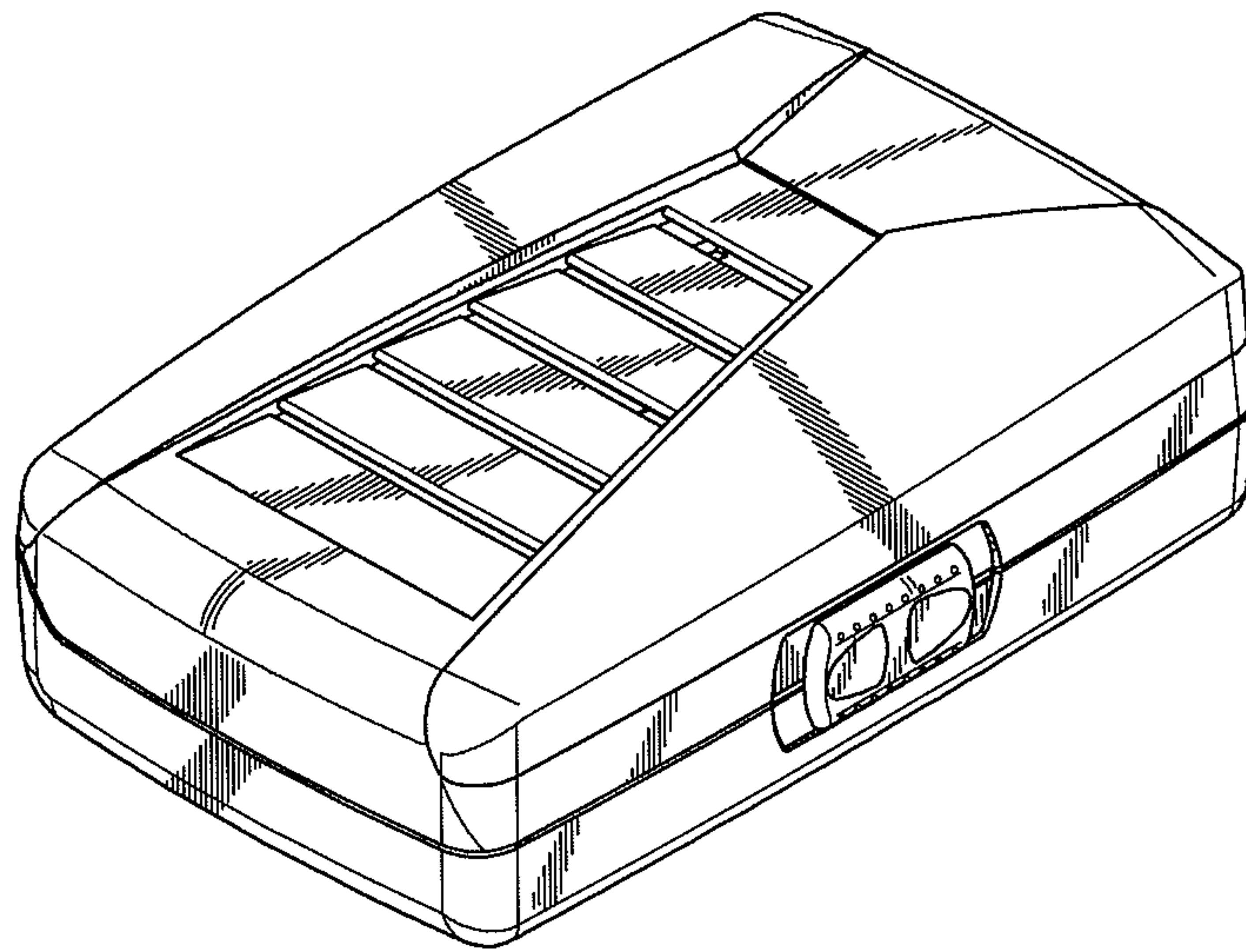


FIG.1

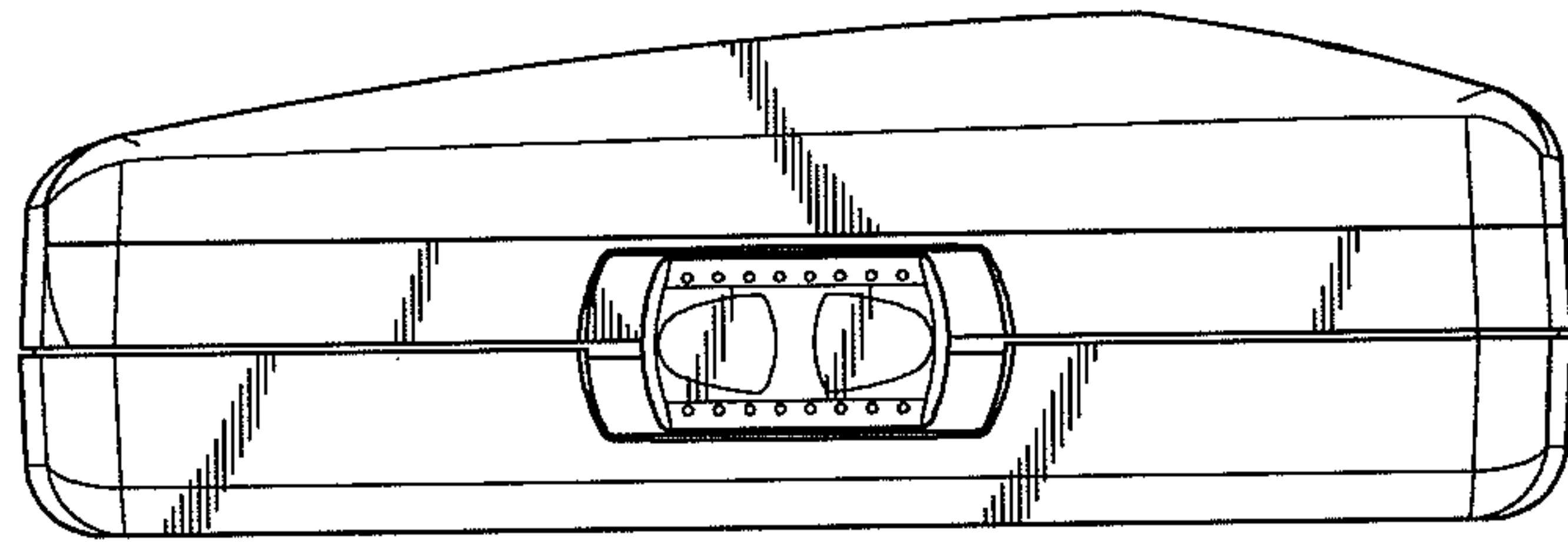


FIG. 2

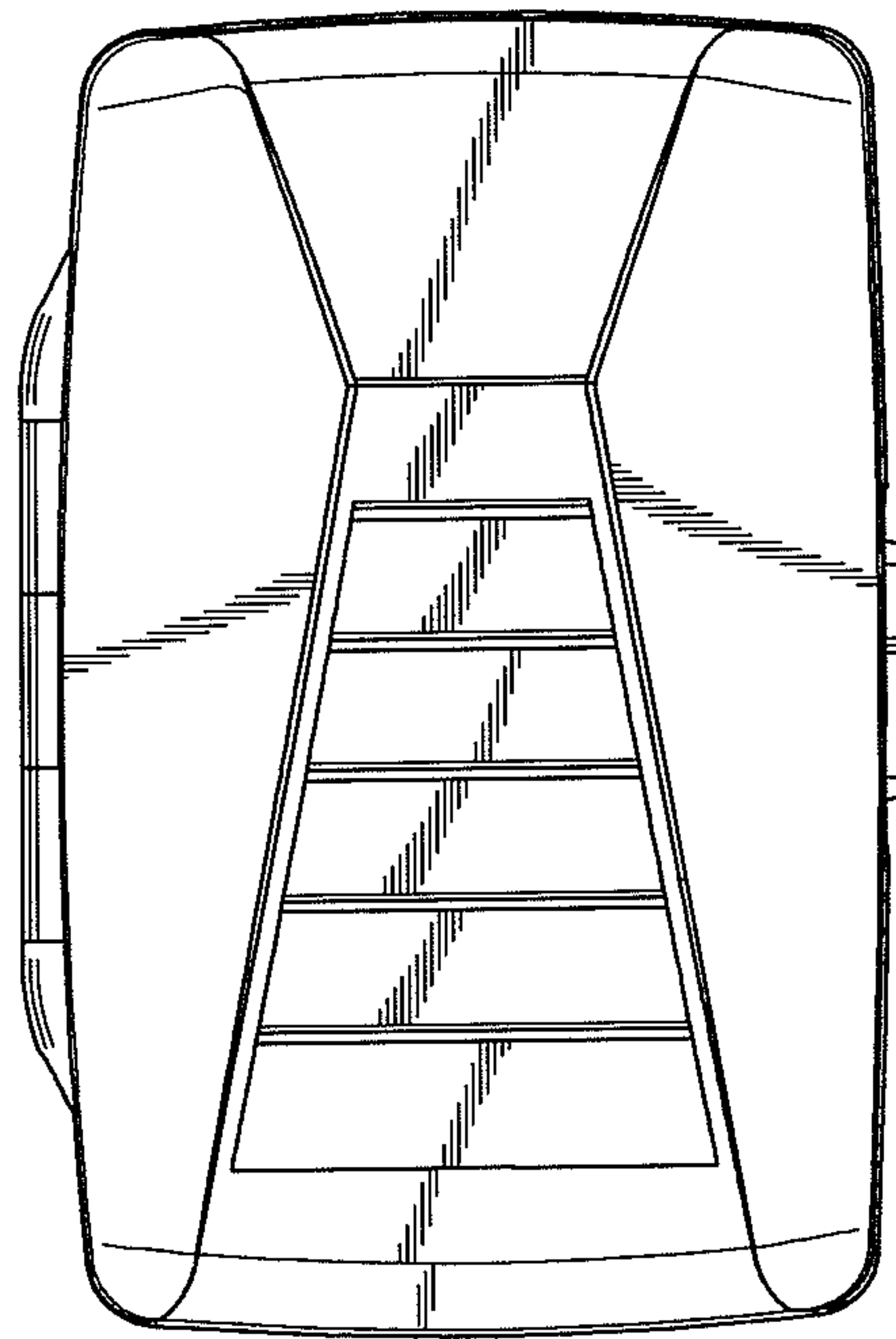


FIG. 3

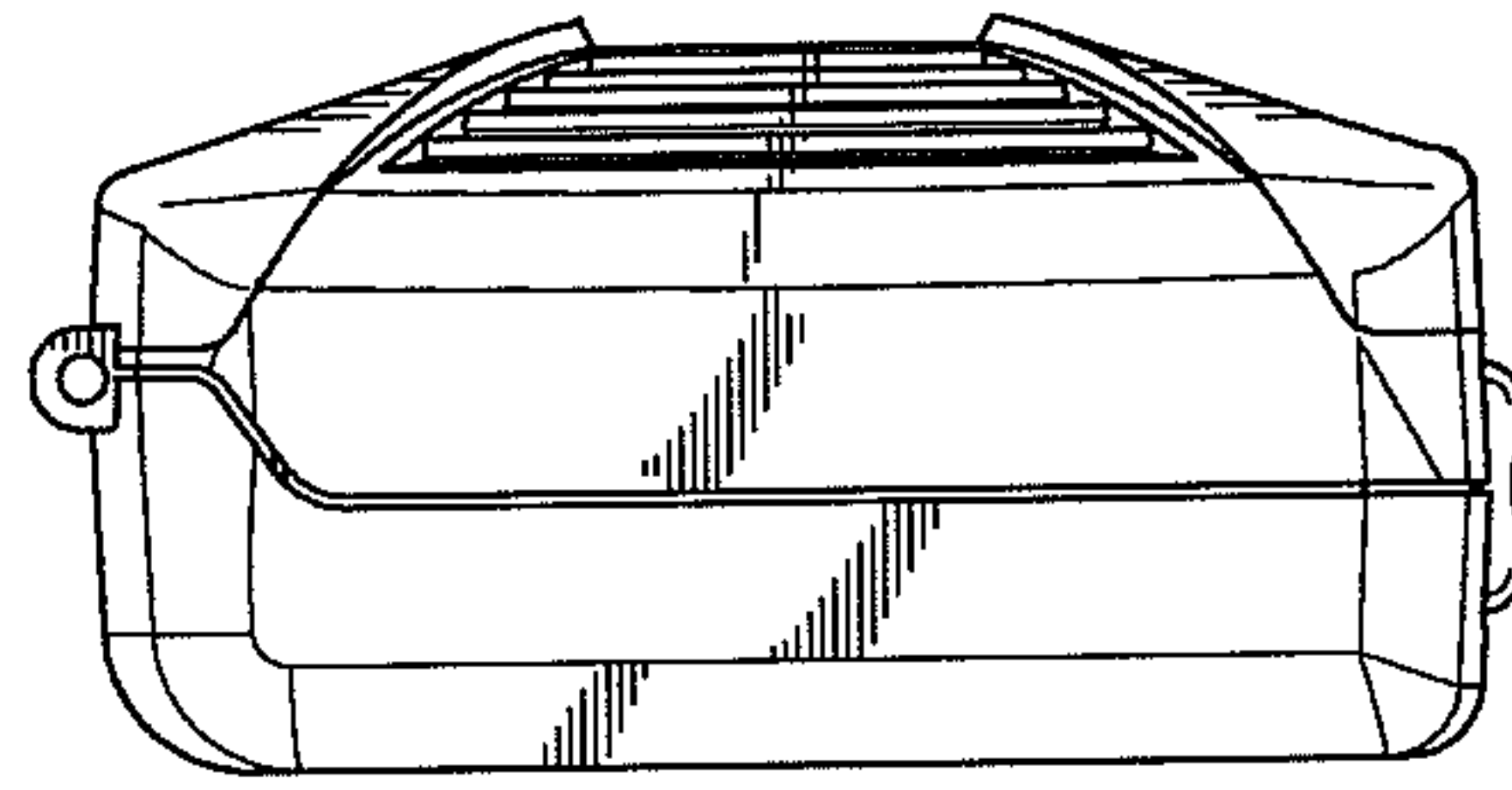


FIG. 4

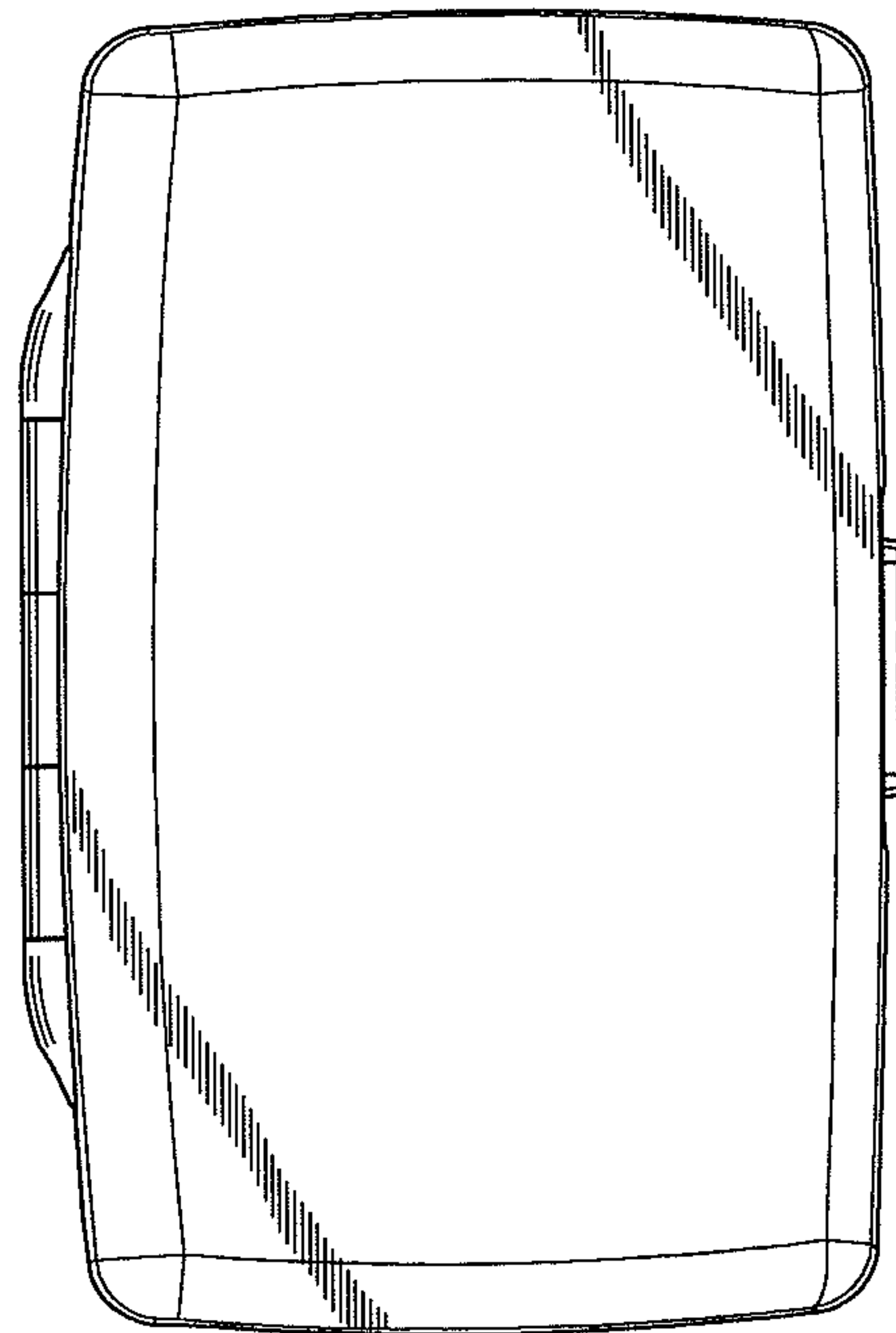


FIG. 5

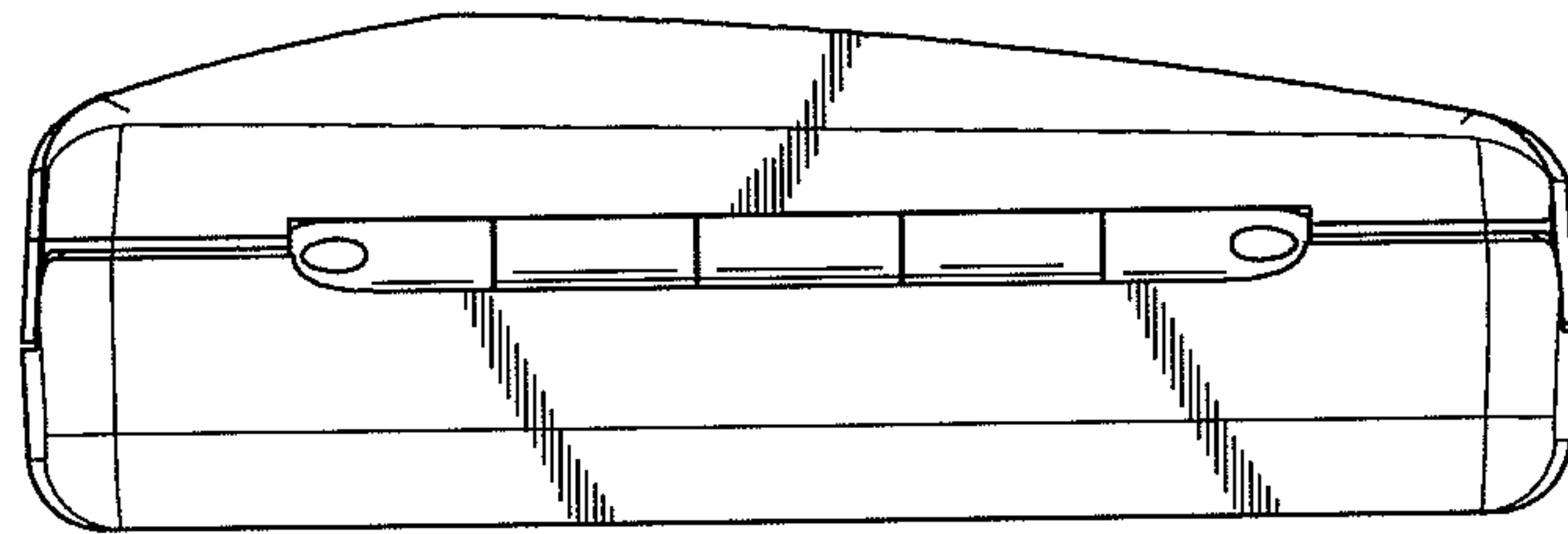


FIG. 6

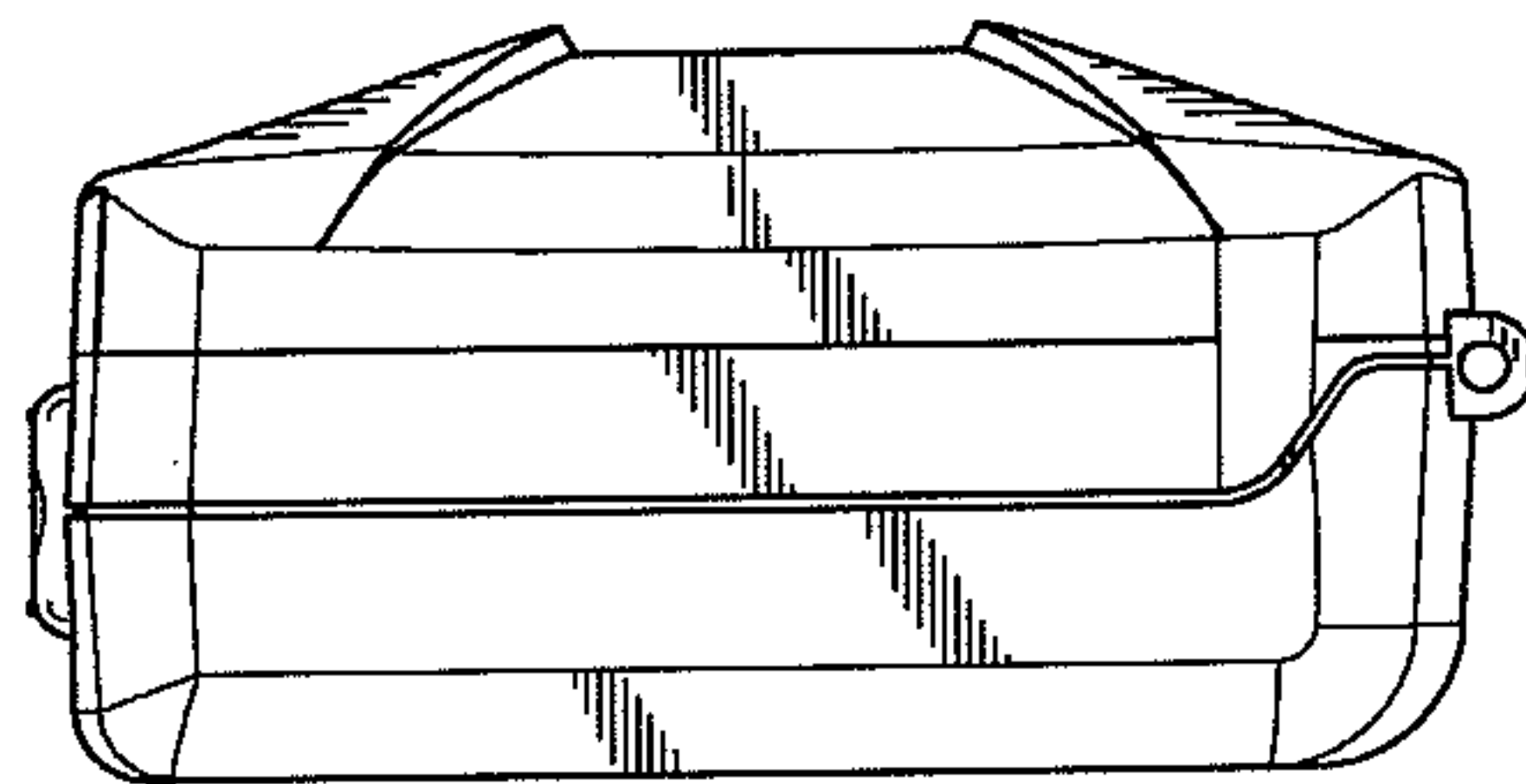


FIG. 7