

US00D691369S

(12) **United States Design Patent**
Holzschuh

(10) **Patent No.:** **US D691,369 S**

(45) **Date of Patent:** **** Oct. 15, 2013**

(54) **GUN PURSE**

(71) Applicant: **Tina Holzschuh**, Fort Worth, TX (US)

(72) Inventor: **Tina Holzschuh**, Fort Worth, TX (US)

(**) Term: **14 Years**

(21) Appl. No.: **29/447,153**

(22) Filed: **Feb. 28, 2013**

(51) **LOC (9) Cl.** **03-01**

(52) **U.S. Cl.**
USPC **D3/222**

(58) **Field of Classification Search**
USPC D3/222-223, 215, 224, 226, 228, 230;
224/192-193, 666, 668, 676, 238, 243,
224/911-912

See application file for complete search history.

(56) **References Cited**

U.S. PATENT DOCUMENTS

D218,006 S	7/1970	Woolfolk	
D253,196 S *	10/1979	Harrie	D3/227
D270,929 S	10/1983	Shasteen	
D279,427 S	7/1985	Emery	
D283,043 S	3/1986	Pitts	
5,409,153 A	4/1995	Ristich	
D378,952 S	4/1997	Stava	

6,264,079 B1 *	7/2001	Skaggs	224/193
D490,238 S	5/2004	Bristel	
D557,496 S	12/2007	Gonthier	
D596,395 S	7/2009	Cutler	
D613,941 S	4/2010	Daniel	
D630,428 S	1/2011	Hong	
D634,540 S	3/2011	Lion	
D671,738 S	12/2012	Hargens	
D677,461 S *	3/2013	Farrell	D3/226

* cited by examiner

Primary Examiner — Catheri Oliver-Garcia

(74) *Attorney, Agent, or Firm* — QuickPatents; Kevin Prince

(57) **CLAIM**

I claim the ornamental design for a gun purse, as shown and described.

DESCRIPTION

FIG. 1 is a perspective view of a gun purse, showing my new design;

FIG. 2 is a front elevational view thereof;

FIG. 3 is a rear elevational view thereof;

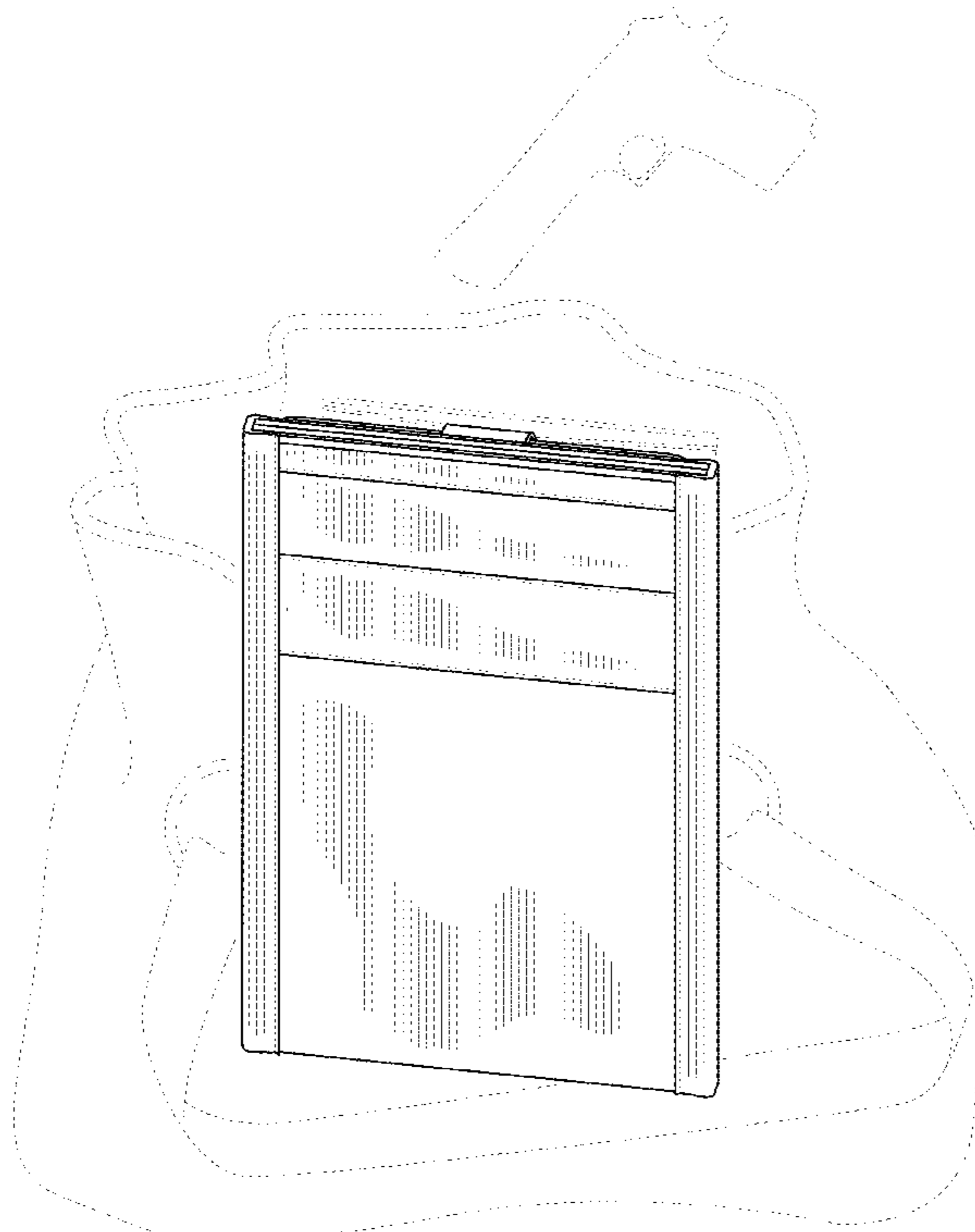
FIG. 4 is a left-side elevational view thereof, the right-side elevational view being a mirror image thereof;

FIG. 5 is a top plan view thereof; and,

FIG. 6 is a bottom plan view thereof.

The broken lines showing a purse and a gun in FIG. 1 depict environmental matter and form no part of the claimed design.

1 Claim, 3 Drawing Sheets



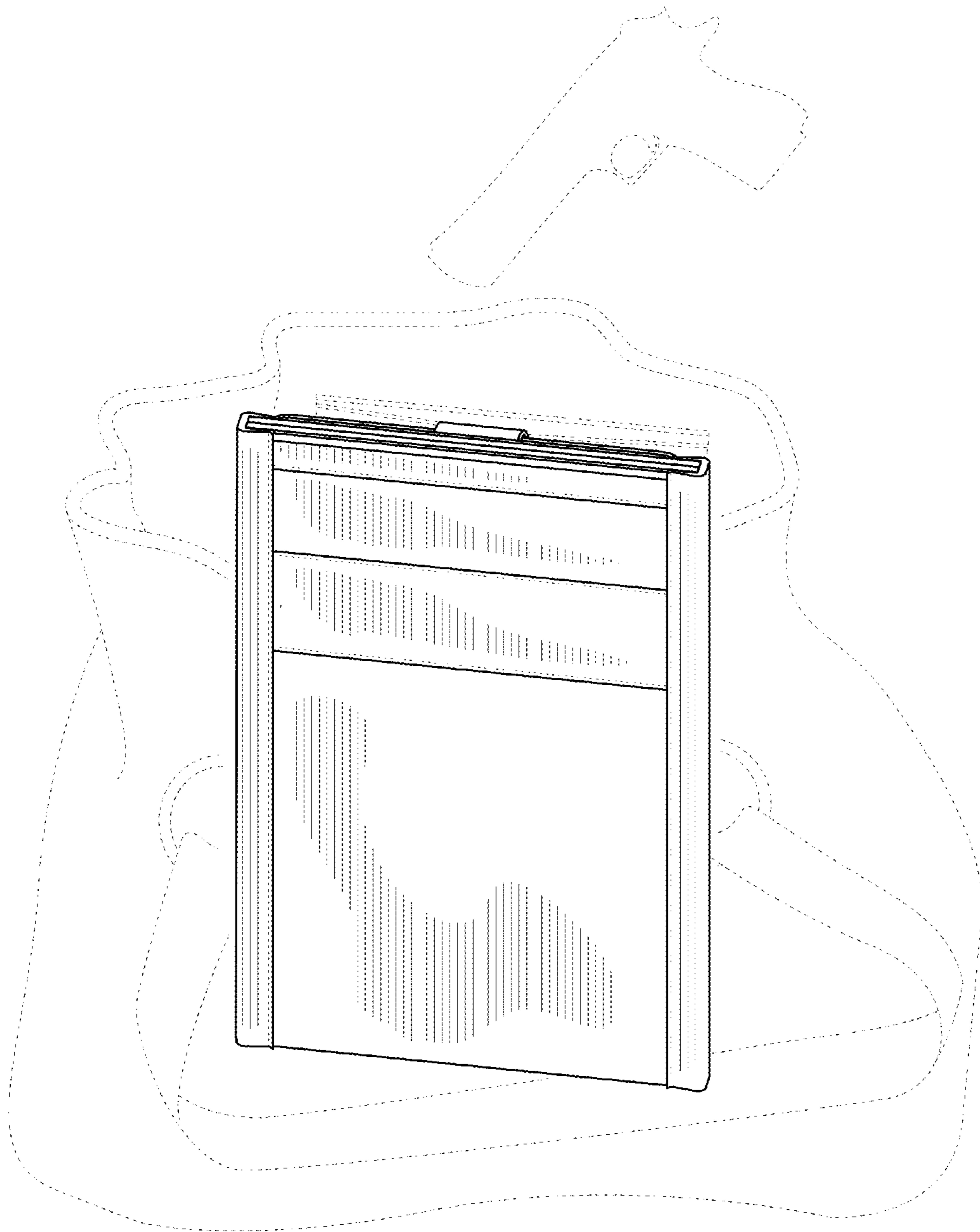


FIG. 1

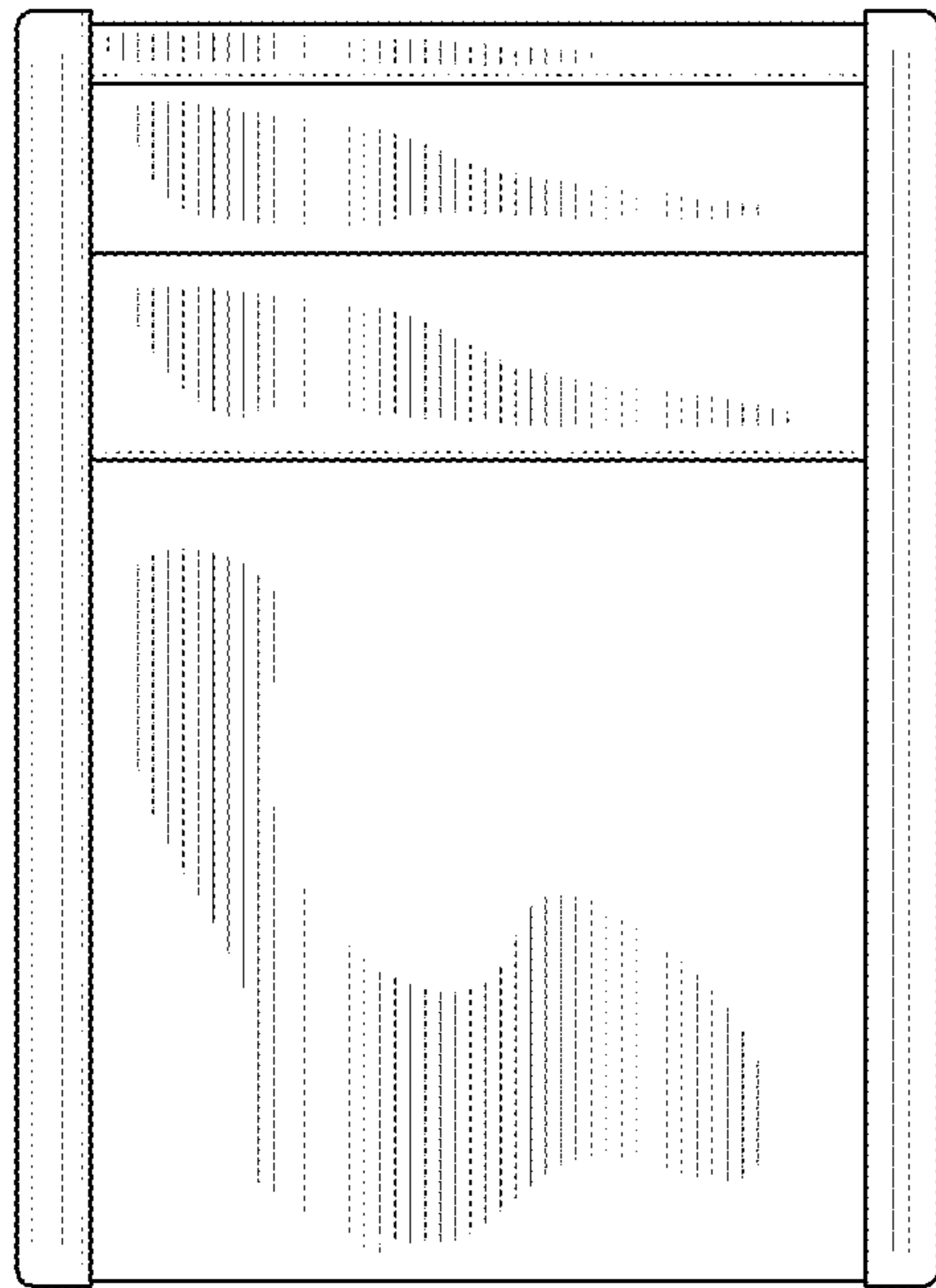


FIG. 2

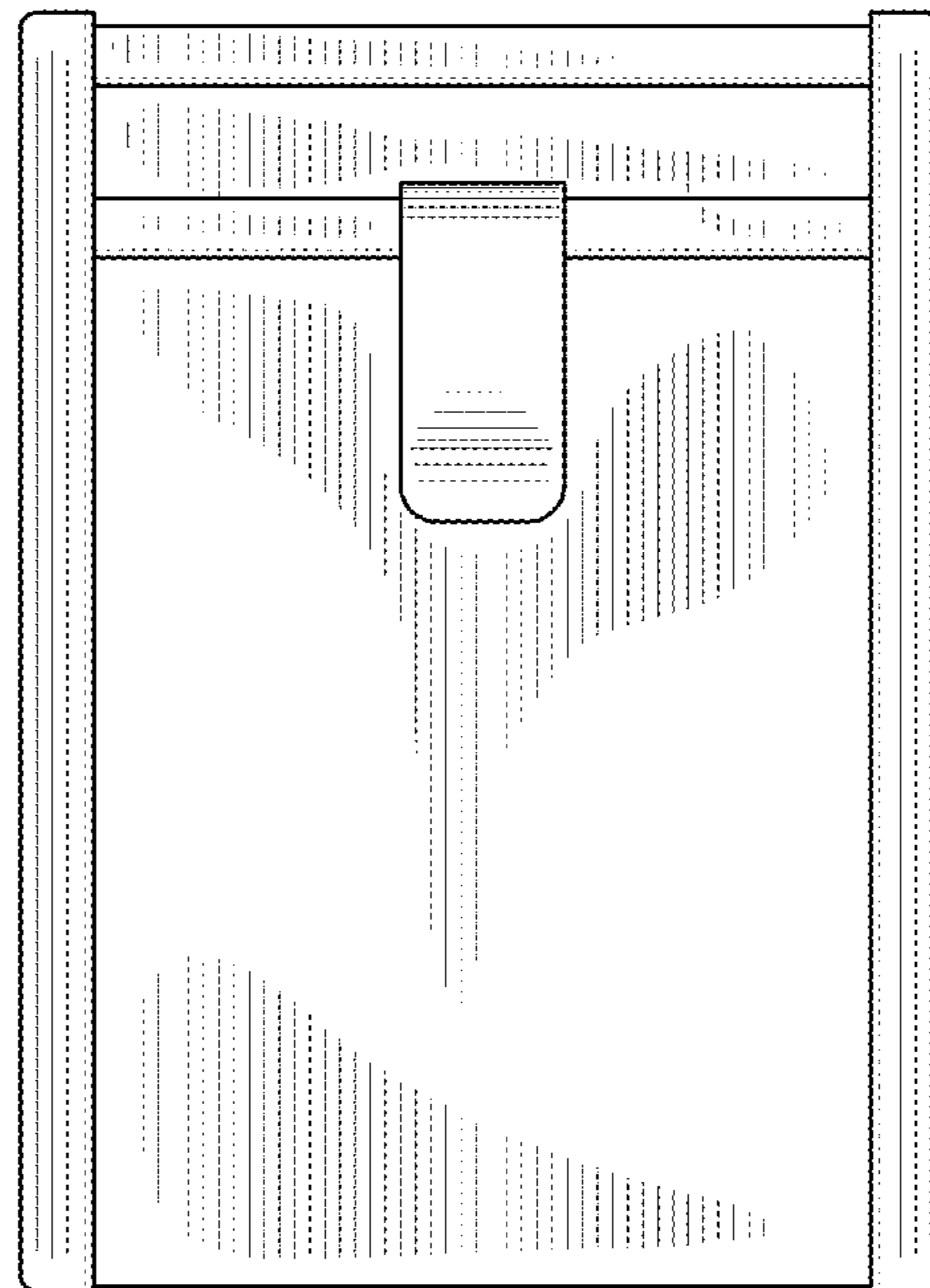


FIG. 3

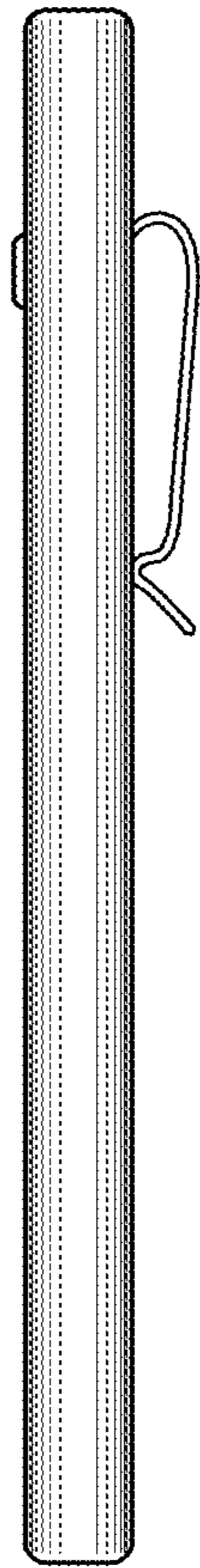


FIG. 4

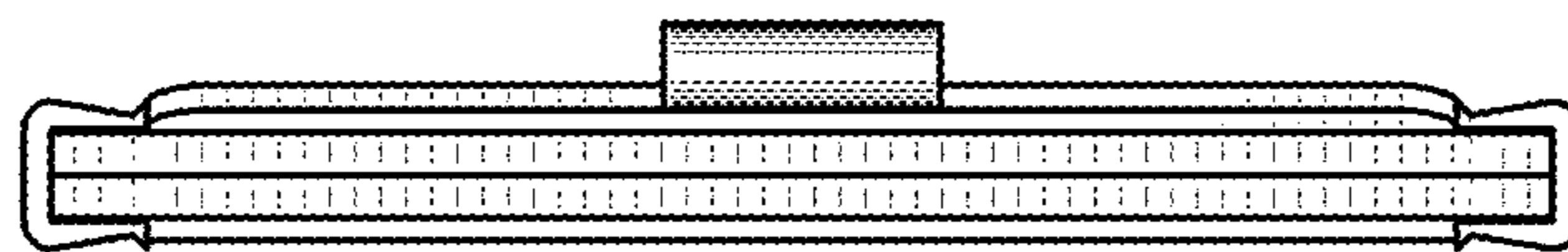


FIG. 5

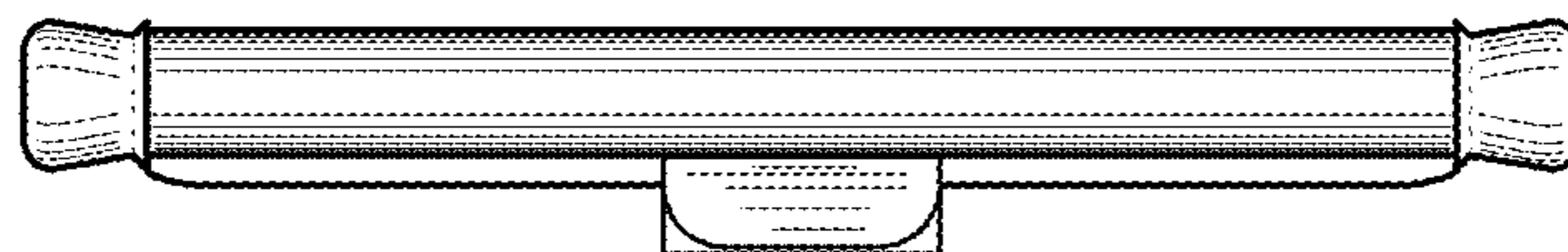


FIG. 6