



US00D691366S

(12) **United States Design Patent**
Muncy et al.

(10) **Patent No.:** **US D691,366 S**
(45) **Date of Patent:** **** Oct. 15, 2013**

(54) **PILL TRAY SYSTEM**

(71) Applicants: **Lisa A. Muncy**, St. Louis, MO (US);
Charles W. Muncy, St. Louis, MO (US);
Gary A. Muncy, Chesterfield, MO (US)
(72) Inventors: **Lisa A. Muncy**, St. Louis, MO (US);
Charles W. Muncy, St. Louis, MO (US);
Gary A. Muncy, Chesterfield, MO (US)

(**) Term: **14 Years**

(21) Appl. No.: **29/438,707**

(22) Filed: **Dec. 2, 2012**

(51) **LOC (9) Cl.** **03-01**

(52) **U.S. Cl.**
USPC **D3/203.3**

(58) **Field of Classification Search**
USPC D3/201-205; 206/532-540; 220/524
See application file for complete search history.

(56) **References Cited**

U.S. PATENT DOCUMENTS

4,372,445	A	2/1983	Keffeler	
4,735,318	A	4/1988	Keffeler	
4,741,441	A	5/1988	Keffeler	
D298,803	S *	12/1988	Ebling	D3/203.3
4,793,492	A	12/1988	Halbich	
D304,905	S *	12/1989	Zimmerman	D3/203.3
4,889,254	A	12/1989	Vola	
5,330,055	A	7/1994	Kendra et al.	
5,344,009	A	9/1994	Choi	
D415,958	S *	11/1999	Noble	D3/203.3
D418,288	S	1/2000	Priebe	
6,221,027	B1	4/2001	Pitesky	

D522,742	S *	6/2006	Priebe	D3/203.3
7,387,207	B2	6/2008	Priebe et al.	
D587,005	S *	2/2009	Gardner	D3/203.3
D587,898	S	3/2009	Cetera	
D612,894	S *	3/2010	Evans	D3/203.3
7,793,785	B2 *	9/2010	Keffeler et al.	206/538
2003/0205496	A1	11/2003	Howard et al.	
2004/0089581	A1	5/2004	Dienst	
2005/0218031	A1	10/2005	Murphy	
2006/0091030	A1	5/2006	Tawanapoor	

* cited by examiner

Primary Examiner — Catheri Oliver-Garcia

(74) *Attorney, Agent, or Firm* — Grace J. Fishel

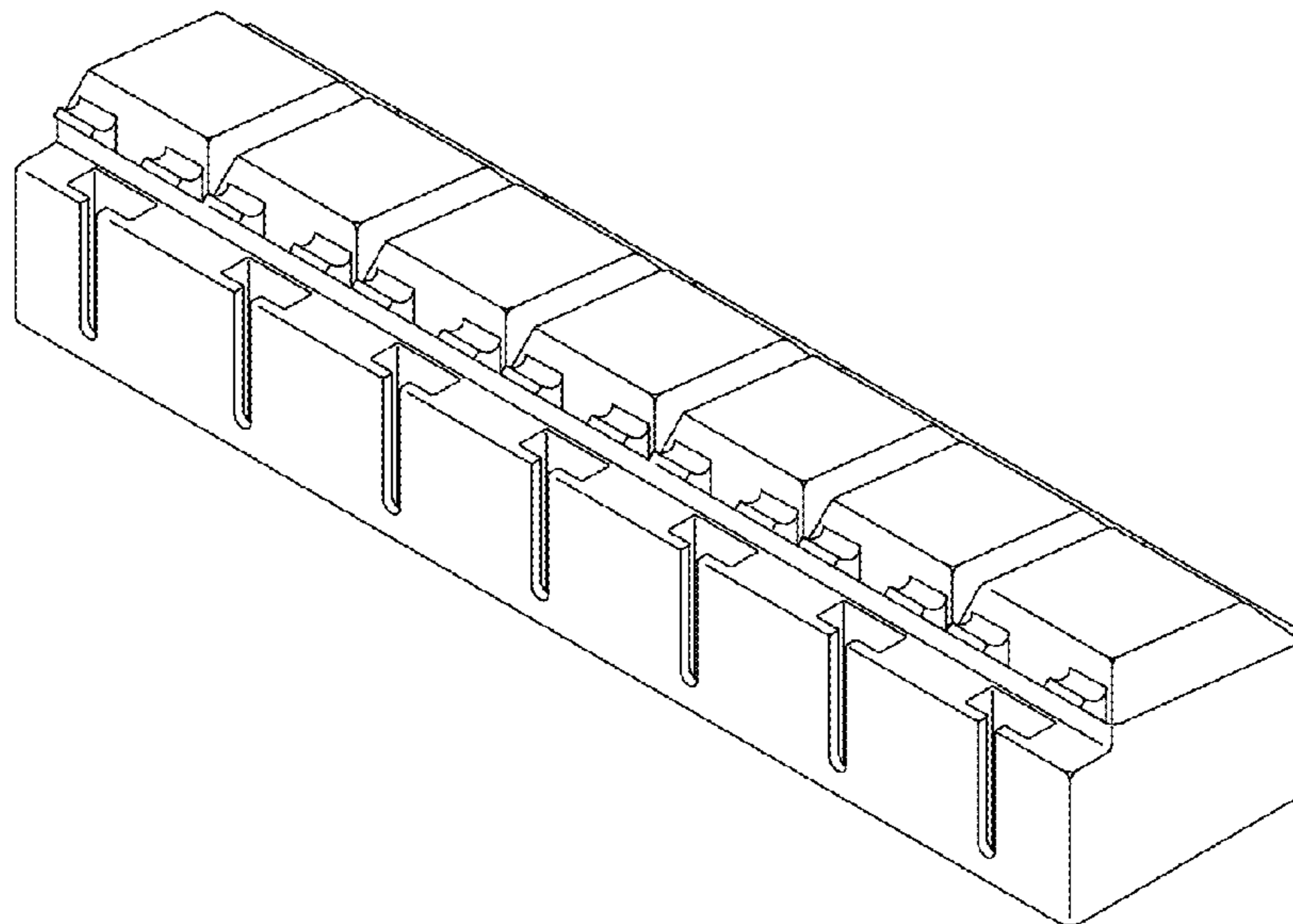
(57) **CLAIM**

The ornamental design for a pill tray system, as shown.

DESCRIPTION

FIG. 1 is a front perspective view of a pill tray system showing our new design with lids closed;
FIG. 2 is a top view thereof with lids open;
FIG. 3 is a rear elevation thereof with lids closed;
FIG. 4 is a right side elevation thereof with lids open, the left side being a mirror image;
FIG. 5 is a section taken along the plane of 5-5 in FIG. 2 with the lids open; and,
FIG. 6 is a front perspective view showing an array of trays. The bottom of pill tray system is flat and unornamented and forms no part of the claimed design. The duplicate pill tray systems shown in broken lines in FIG. 6 are for illustrative purposes only and form no part of the claimed design.

1 Claim, 3 Drawing Sheets



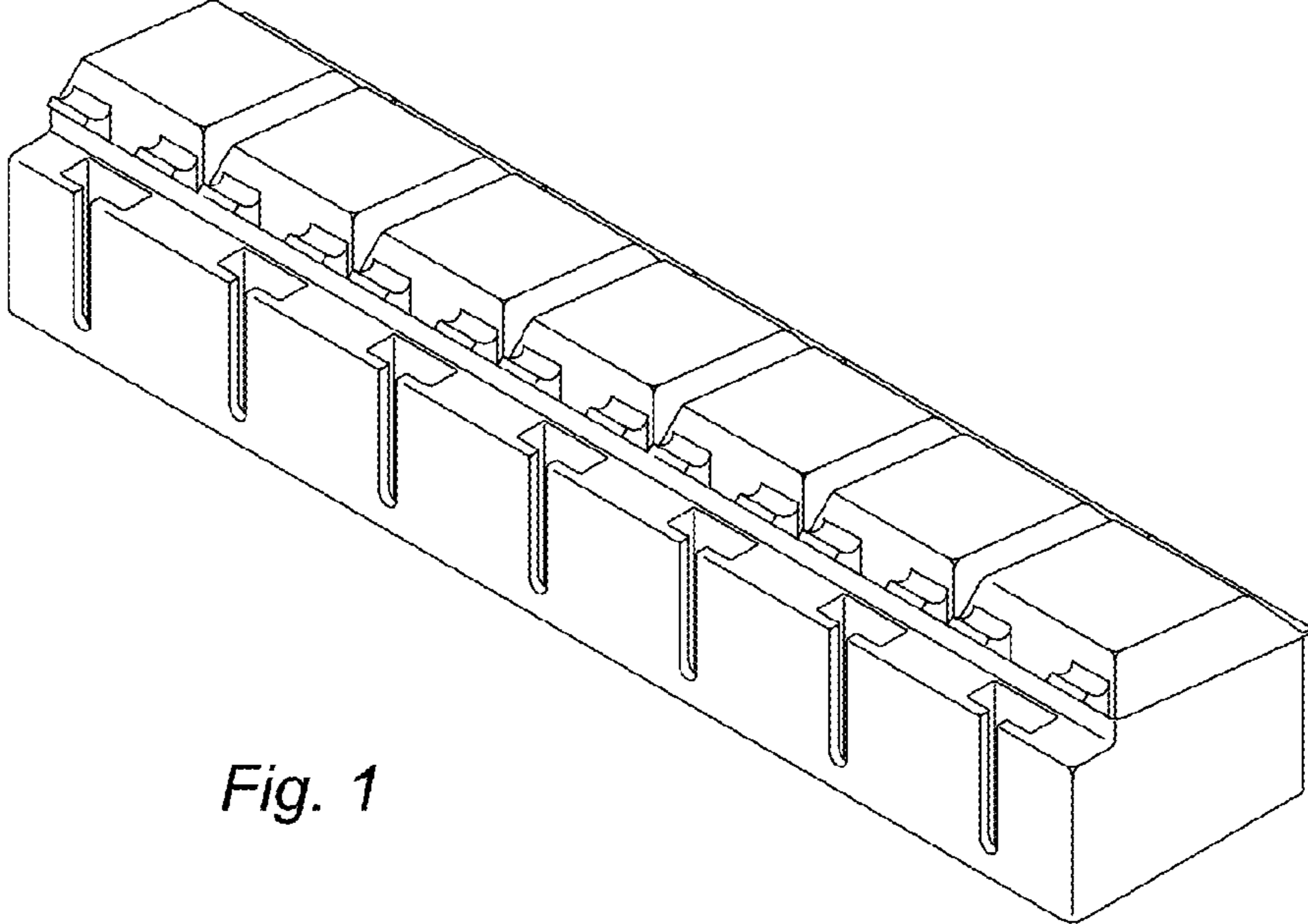


Fig. 1

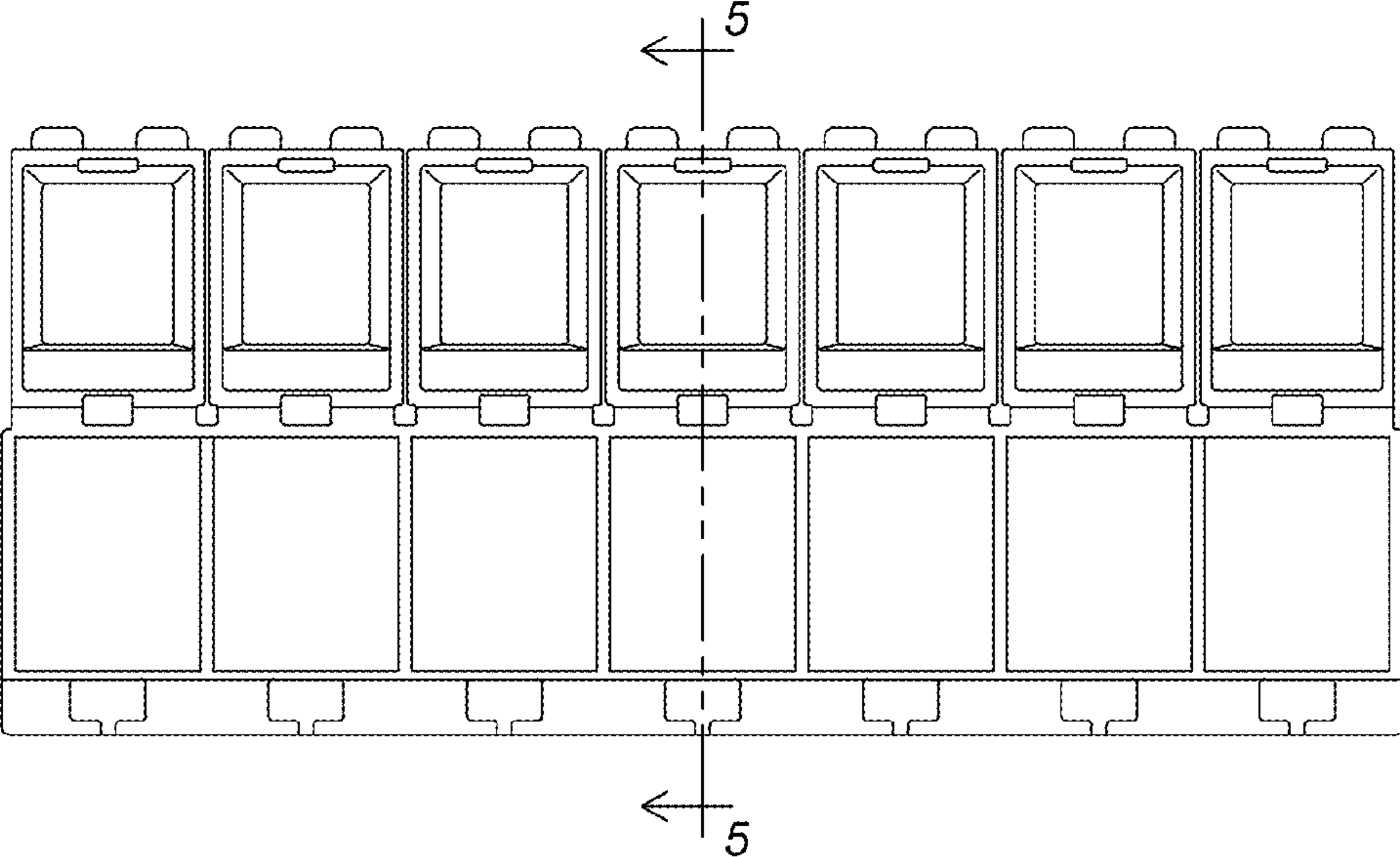


Fig. 2

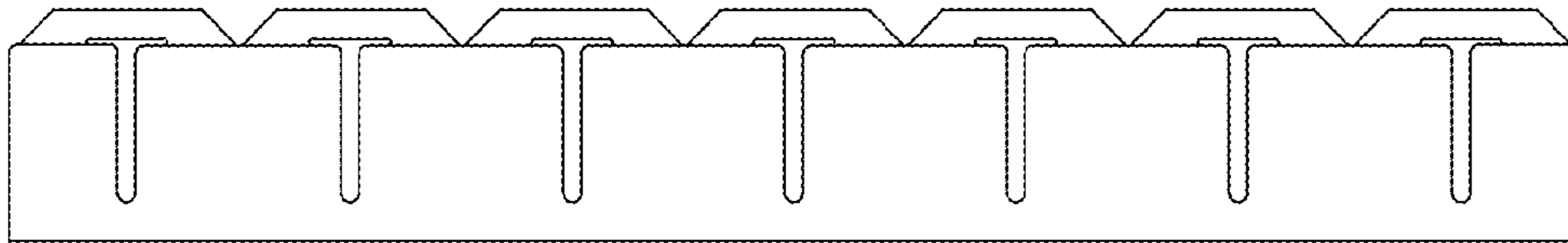


Fig. 3

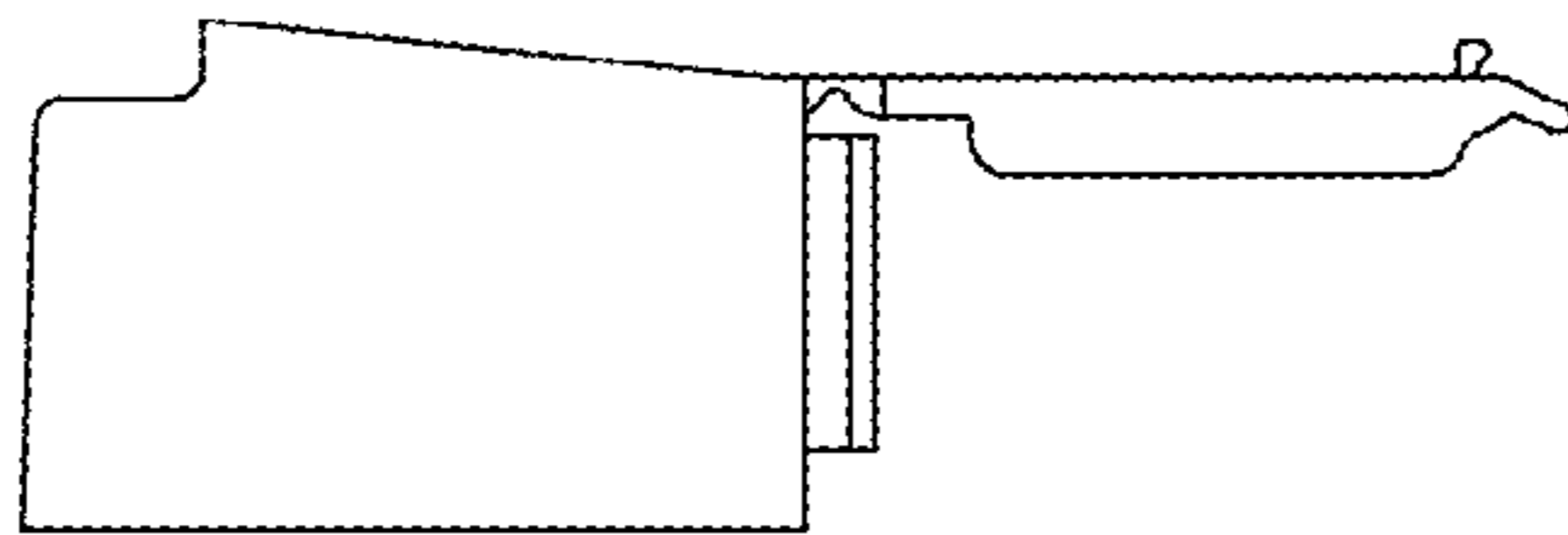


Fig. 4

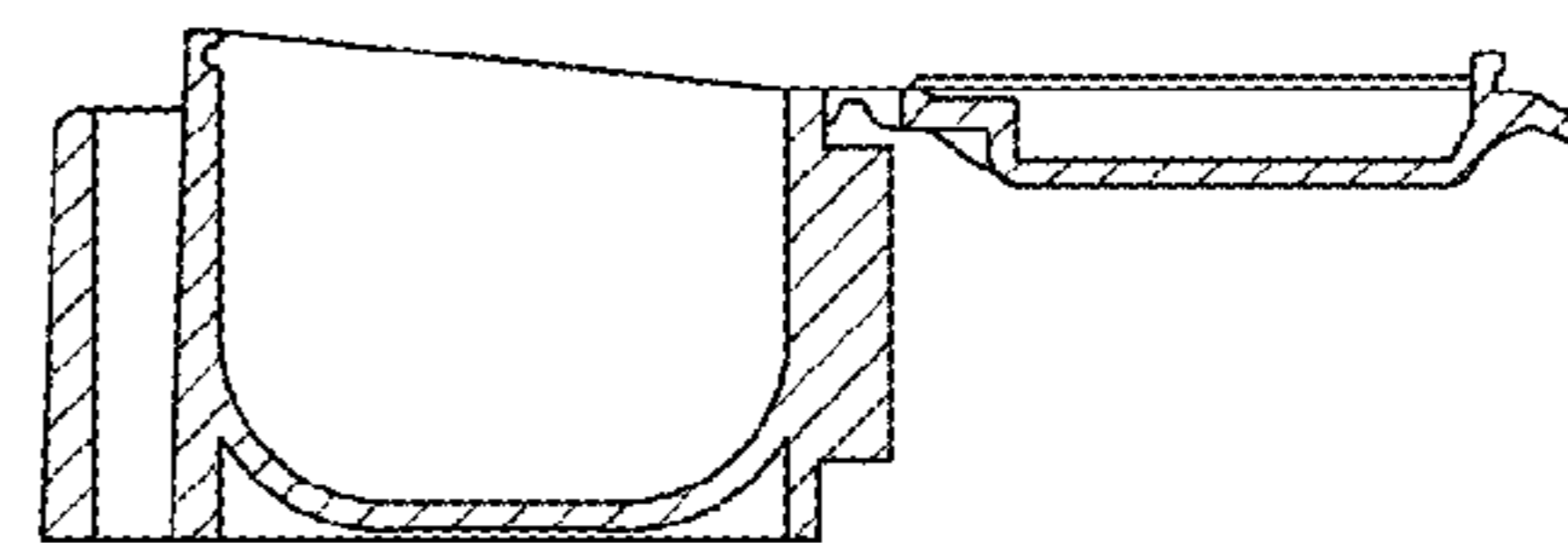


Fig. 5

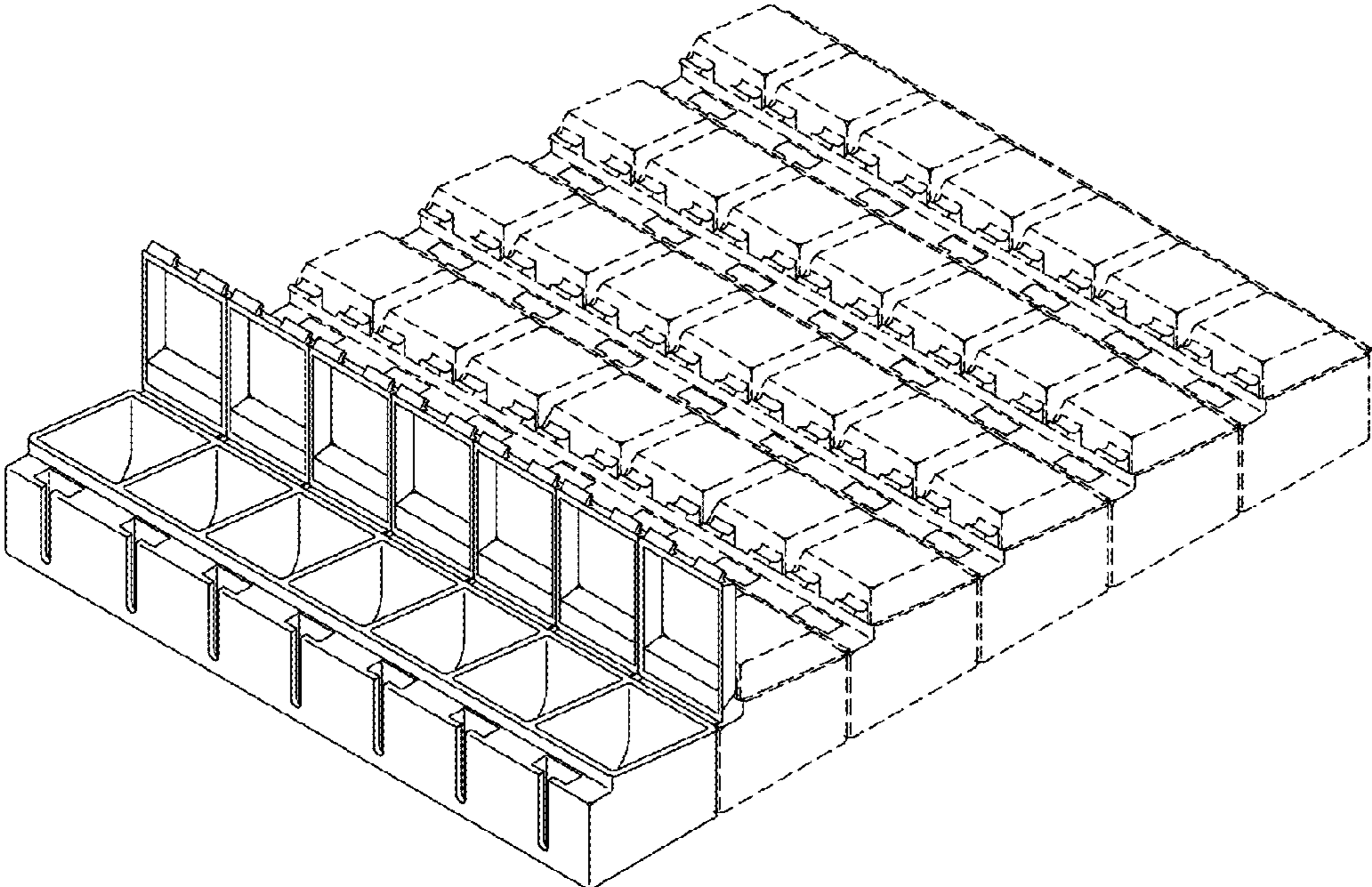


Fig. 6