



US00D691364S

(12) **United States Design Patent**
White

(10) **Patent No.:** **US D691,364 S**
(45) **Date of Patent:** **** Oct. 15, 2013**

- (54) **CRUTCH**
- (75) Inventor: **Velton C. White**, Burlington, WI (US)
- (73) Assignee: **Go Steady, LLC**, Burlington, WI (US)
- (**) Term: **14 Years**
- (21) Appl. No.: **29/424,512**
- (22) Filed: **Jun. 13, 2012**
- (51) **LOC (9) Cl.** **03-03**
- (52) **U.S. Cl.**
USPC **D3/9**
- (58) **Field of Classification Search**
USPC D3/5-17; D12/130, 133; 135/65-73,
135/76-84
See application file for complete search history.

4,869,280	A *	9/1989	Ewing	135/69
D307,666	S *	5/1990	Fisher	D3/9
4,997,001	A	3/1991	DiCarlo	
5,038,811	A *	8/1991	Gilmore	135/71
5,735,303	A	4/1998	Cole	
6,708,831	B1	3/2004	Balassi	
6,932,096	B2	8/2005	Marek	
D590,591	S *	4/2009	Yates	D3/9
7,779,850	B2 *	8/2010	Caldwell	135/67
8,146,615	B1	4/2012	Rodriguez	
2006/0278260	A1 *	12/2006	Su	135/67
2008/0029138	A1 *	2/2008	Footo	135/67
2010/0051075	A1	3/2010	Jamshidi	
2010/0206348	A1 *	8/2010	Markou	135/71
2010/0263697	A1 *	10/2010	Catton	135/67
2011/0240077	A1 *	10/2011	Doherty et al.	135/71

* cited by examiner

Primary Examiner — John Windmuller

(74) *Attorney, Agent, or Firm* — Dorr, Carson & Birney, P.C.

(56) **References Cited**

U.S. PATENT DOCUMENTS

2,195,034	A	3/1940	Miller	
2,208,195	A	7/1940	Paul	
2,244,869	A	6/1941	Everest et al.	
2,516,852	A *	8/1950	Burry et al. 135/71
D180,867	S *	8/1957	deCignac D3/9
3,165,112	A	1/1965	Ries	
D216,288	S *	12/1969	Murcott D3/9
3,550,602	A	12/1970	Hesterman et al.	
3,606,898	A	9/1971	Harocopo	
4,062,372	A *	12/1977	Slusher 135/66
4,085,763	A *	4/1978	Thomas 135/69
D255,288	S *	6/1980	Thomas D3/9
D290,186	S *	6/1987	Meunchen D3/9

(57) **CLAIM**

The ornamental design for a crutch, as shown and described.

DESCRIPTION

FIG. 1 is a front perspective view of a crutch showing my new design.

FIG. 2 is a right side elevational view thereof.

FIG. 3 is a front elevational view thereof.

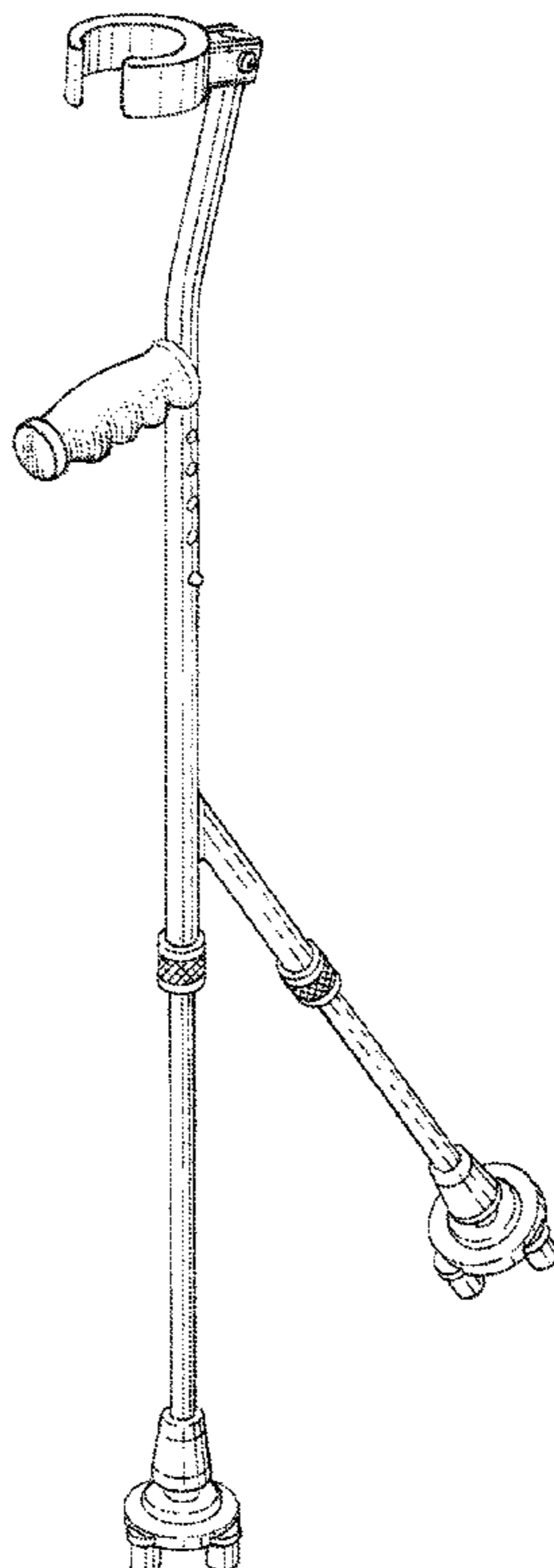
FIG. 4 is a left side elevational view thereof.

FIG. 5 is a rear elevational view thereof.

FIG. 6 is a top view thereof; and,

FIG. 7 is a bottom view thereof.

1 Claim, 4 Drawing Sheets



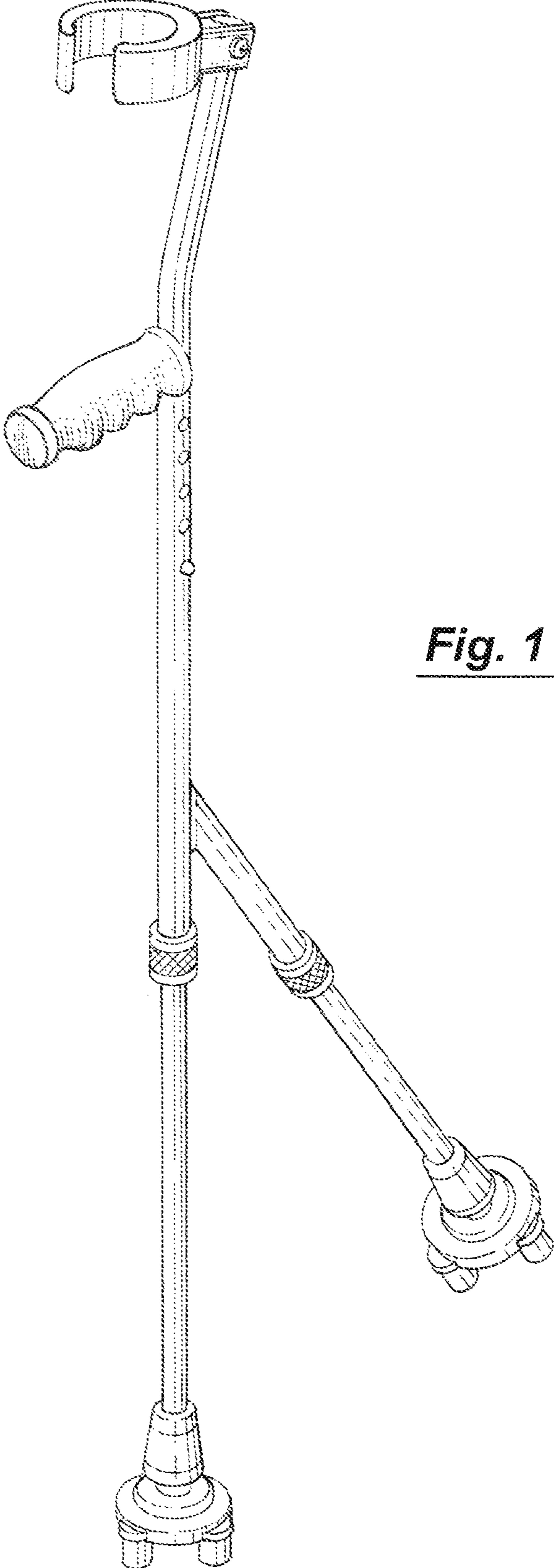


Fig. 1

Fig. 3

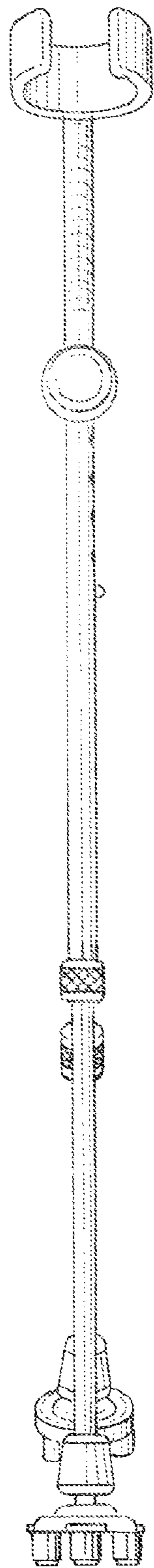


Fig. 2

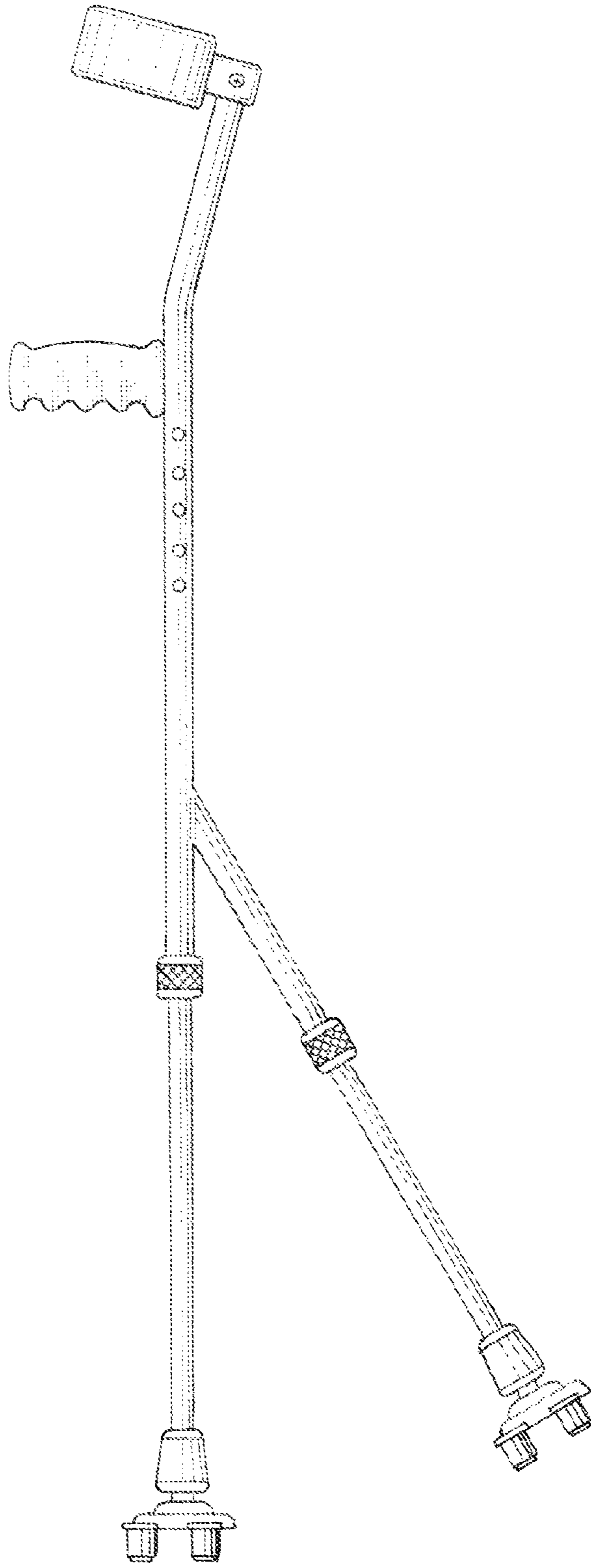


Fig. 5

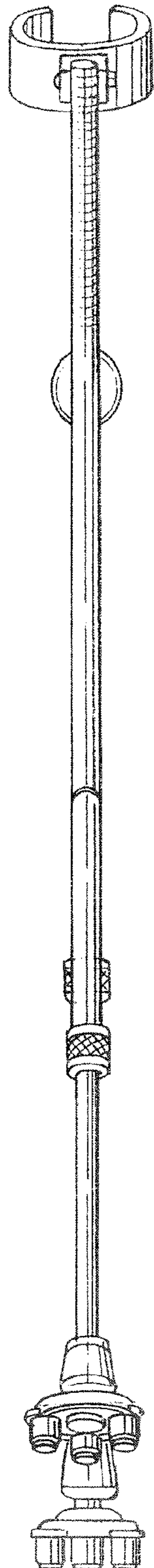


Fig. 4

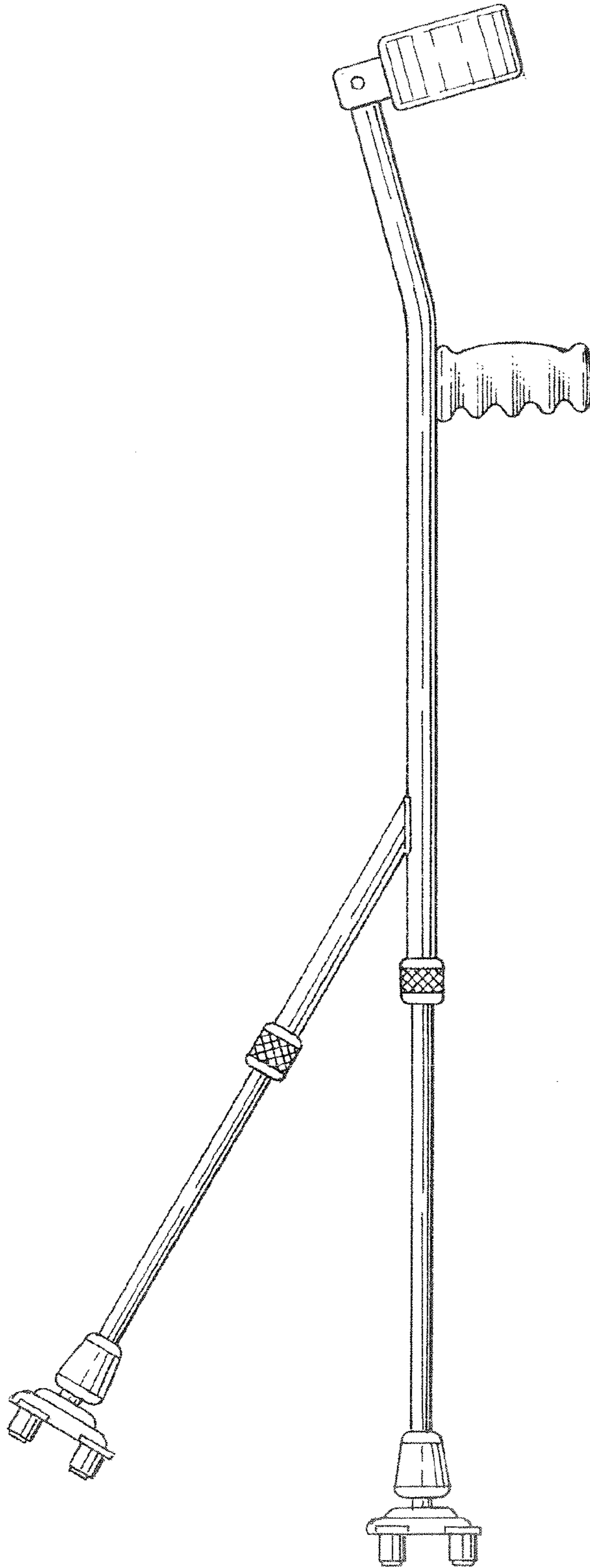


Fig. 6

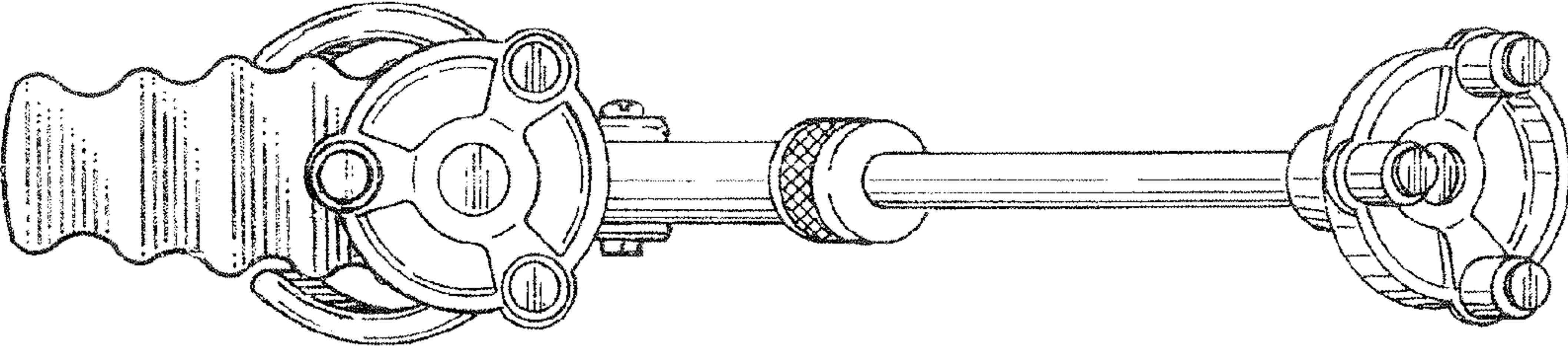
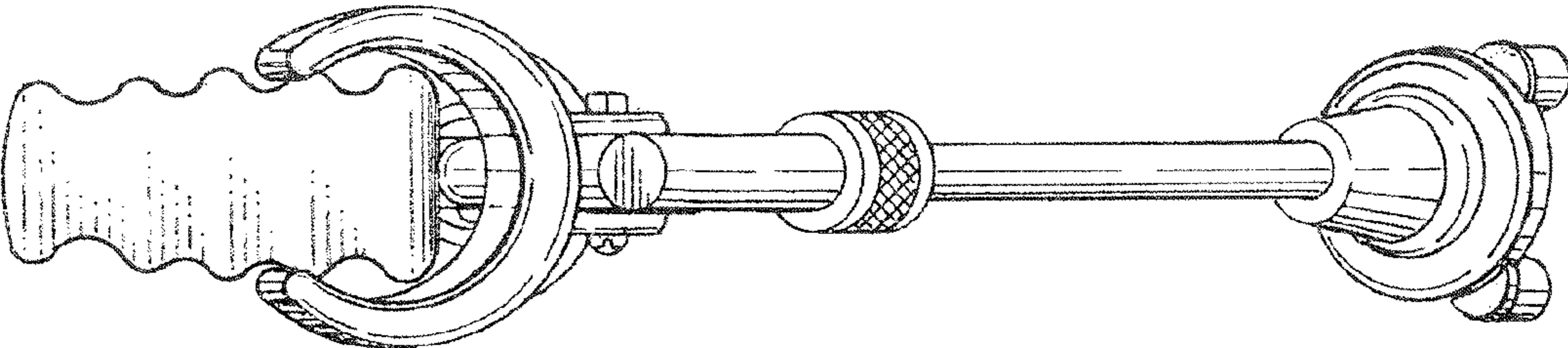


Fig. 7