

US00D691349S

(12) **United States Design Patent**
Pearson

(10) **Patent No.:** **US D691,349 S**
(45) **Date of Patent:** **** Oct. 15, 2013**

- (54) **PONYTAIL ACCESSIBLE MILITARY CAP WITH SUNGLASSES HOLDER**
- (76) Inventor: **Laura T. Pearson**, Kemmerer, WY (US)
- (**) Term: **14 Years**
- (21) Appl. No.: **29/416,565**
- (22) Filed: **Mar. 23, 2012**

Related U.S. Application Data

- (63) Continuation-in-part of application No. 29/397,939, filed on Jul. 22, 2011, now abandoned.
- (51) **LOC (9) Cl.** **02-03**
- (52) **U.S. Cl.**
USPC **D2/882**
- (58) **Field of Classification Search**
USPC D2/865, 866, 878, 879, 880, 881, 882, D2/883, 884, 886, 891, 892, 893, 894, D2/895; 2/10, 12, 68, 171, 175.1, 175.2, 2/175.3, 183, 195.1, 195.2, 195.3, 195.4, 2/195.5, 195.6, 200.1, 200.2, 209.11, 2/209.12, 209.13

See application file for complete search history.

(56) **References Cited**

U.S. PATENT DOCUMENTS

- 79,420 A * 6/1868 Waterman et al. 2/209.7
- 251,572 A * 12/1881 Goldmann 2/172
- 361,717 A * 4/1887 Postman 2/181
- 554,378 A * 2/1896 Rowland 2/200.1
- 1,148,586 A * 8/1915 Henderson 2/195.1
- 1,481,541 A * 1/1924 Douglas 2/172
- 1,795,423 A * 3/1931 Bullard 2/416
- 2,007,821 A 7/1935 Uriwal
- 2,416,062 A 2/1947 Mercer
- 2,475,794 A * 7/1949 Libshutz 2/181
- 2,616,092 A * 11/1952 Berg 2/209.5
- 2,629,103 A * 2/1953 Berg 2/209.5

- 2,742,646 A * 4/1956 Berg 2/195.4
- 3,025,529 A * 3/1962 Hanna et al. 2/195.3
- 3,077,607 A * 2/1963 Bregenzer 2/172
- 4,179,753 A 12/1979 Aronberg et al.
- D284,804 S * 7/1986 Satterfield D2/879
- D290,422 S * 6/1987 Brouman D2/866
- D303,314 S * 9/1989 Pridgen D2/866
- D324,193 S 2/1992 Wen-Long
- D340,344 S * 10/1993 McPherson D2/884
- 5,509,145 A 4/1996 Stevenson et al.
- 5,511,249 A 4/1996 Higgins
- D374,114 S 10/1996 Arroyo et al.
- D374,548 S 10/1996 Hartland
- D378,238 S * 3/1997 Anderson D2/869
- D390,687 S 2/1998 Kazel
- 5,799,334 A 9/1998 Griffith et al.
- 5,860,167 A 1/1999 Lizio
- D405,590 S 2/1999 Bartz
- 5,933,872 A 8/1999 Lema
- D416,666 S 11/1999 Ballew

(Continued)

Primary Examiner — Karen E Eldridge Powers

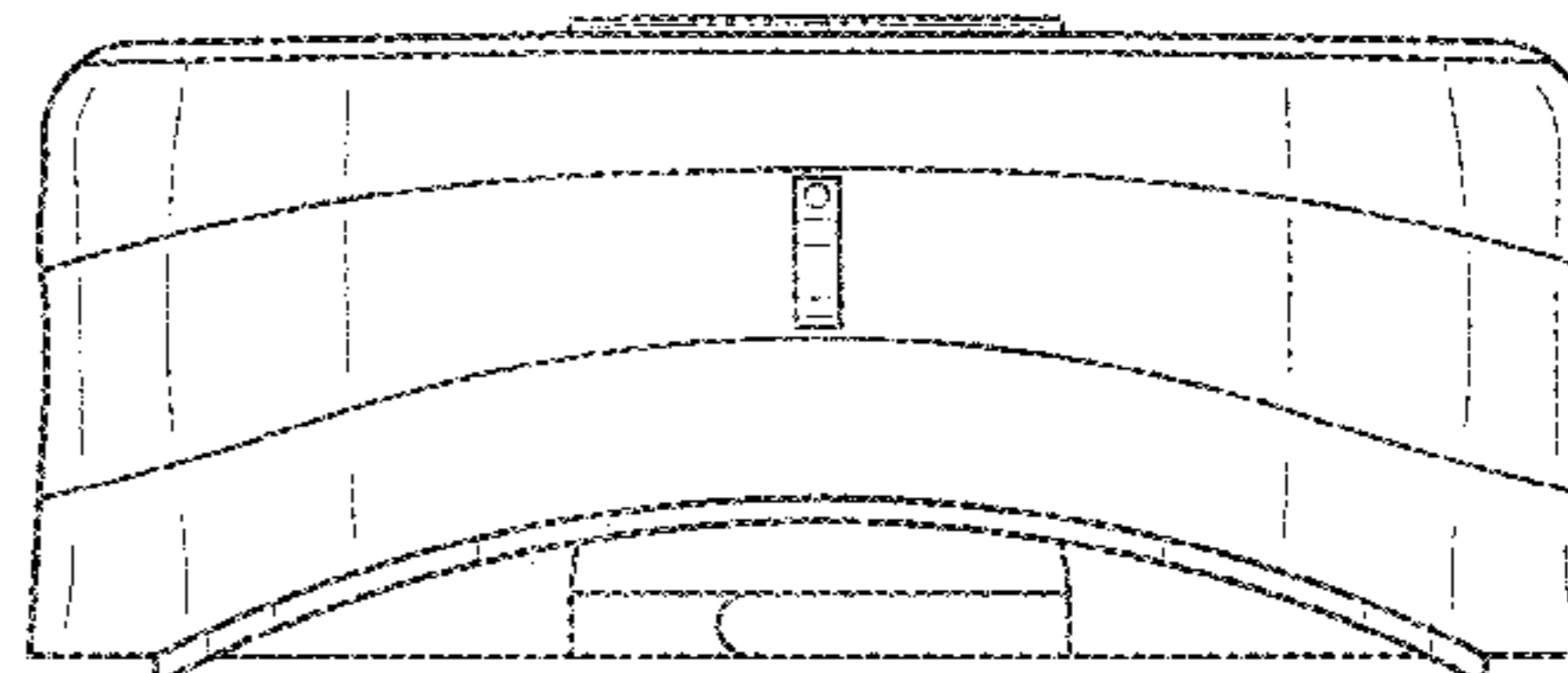
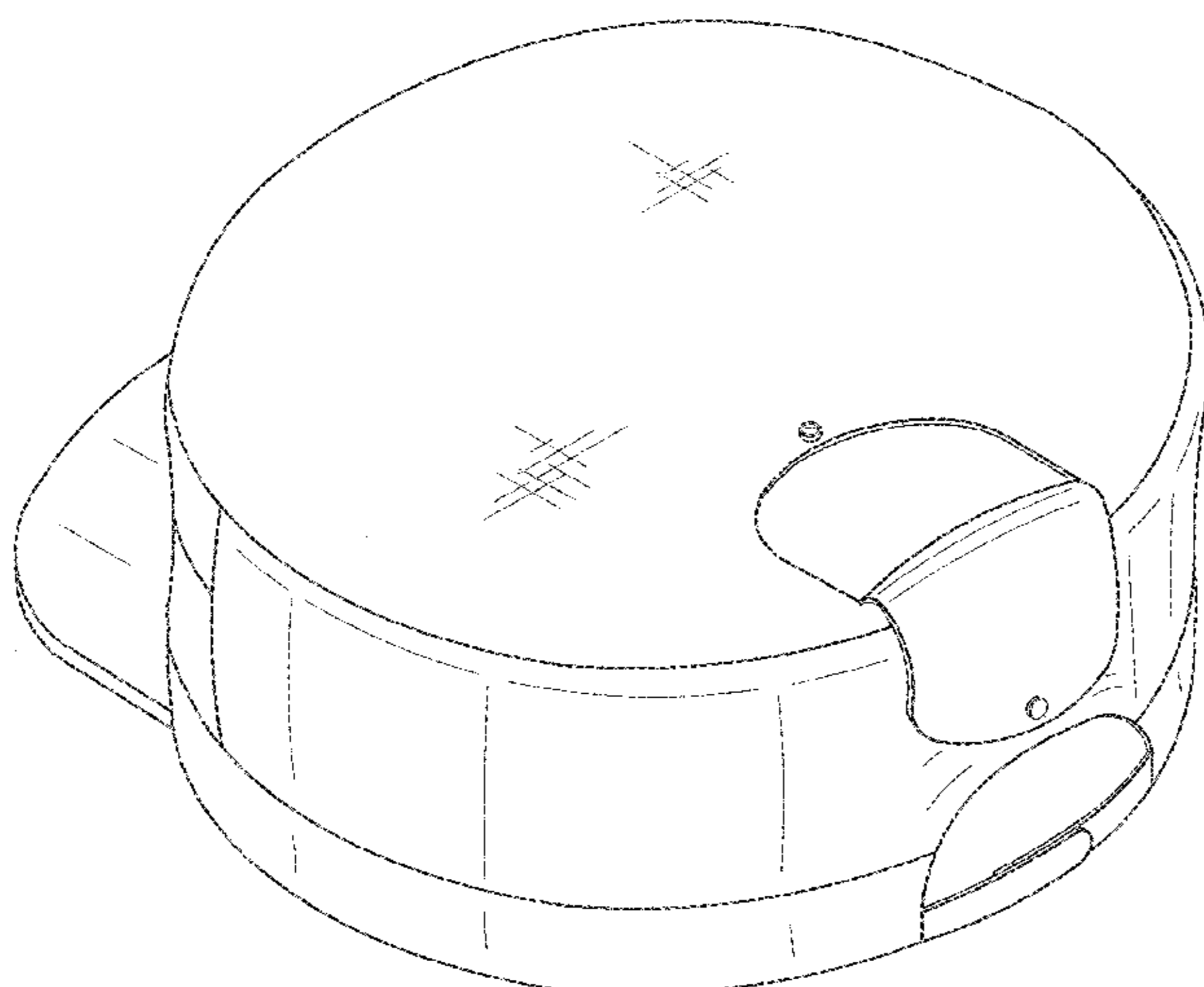
(57) **CLAIM**

The ornamental design for a ponytail accessible military cap with sunglasses holder, as shown and described.

DESCRIPTION

FIG. 1 is a back perspective view of a ponytail accessible military cap with sunglasses holder showing my new design with the flap in the open position;
 FIG. 2 is a side elevation view thereof;
 FIG. 3 is an opposite side elevation view thereof;
 FIG. 4 is a back elevation view thereof;
 FIG. 5 is a front elevation view thereof;
 FIG. 6 is a top plan view thereof;
 FIG. 7 is bottom plan view thereof; and,
 FIG. 8 is another back perspective view of a ponytail accessible military cap with sunglasses holder, with the flap in the closed position thereof.

1 Claim, 7 Drawing Sheets



(56)

References Cited

U.S. PATENT DOCUMENTS

5,987,648	A	11/1999	Boyd	7,062,793	B2	6/2006	Liao
D425,688	S	5/2000	Richlin	7,107,625	B2	9/2006	St-Germain
D427,751	S	7/2000	Richlin	D532,185	S	11/2006	St-Germain
6,237,159	B1	5/2001	Martin	D538,010	S	3/2007	Pegula
D456,118	S	4/2002	Hill	D541,509	S	5/2007	Sprowl
6,408,443	B1 *	6/2002	Park 2/195.1	7,454,799	B2	11/2008	Wuensche et al.
D482,186	S	11/2003	Pytanowski et al.	D590,136	S	4/2009	Campos et al.
6,647,554	B1	11/2003	Yan	D593,732	S	6/2009	Tilley et al.
D482,849	S *	12/2003	Mansell et al. D2/882	D613,040	S	4/2010	Pearson
D486,623	S	2/2004	Mansell et al.	D617,537	S	6/2010	Pearson
6,711,749	B2	3/2004	White et al.	D672,119	S *	12/2012	Mayleben D2/882
D489,165	S	5/2004	Waters	D683,111	S *	5/2013	Rogers D2/876
D493,605	S	8/2004	Gilmore	2002/0095715	A1	7/2002	Hong
D496,146	S	9/2004	Appleberry	2003/0135912	A1	7/2003	White et al.
D503,261	S	3/2005	Pedersen	2003/0233696	A1	12/2003	Lee
D517,778	S	3/2006	Steichen	2004/0128740	A1	7/2004	Hoyez
				2004/0187191	A1	9/2004	Lee
				2007/0220656	A1	9/2007	Cotutsca
				2007/0250987	A1 *	11/2007	Adkins 2/209.3

* cited by examiner

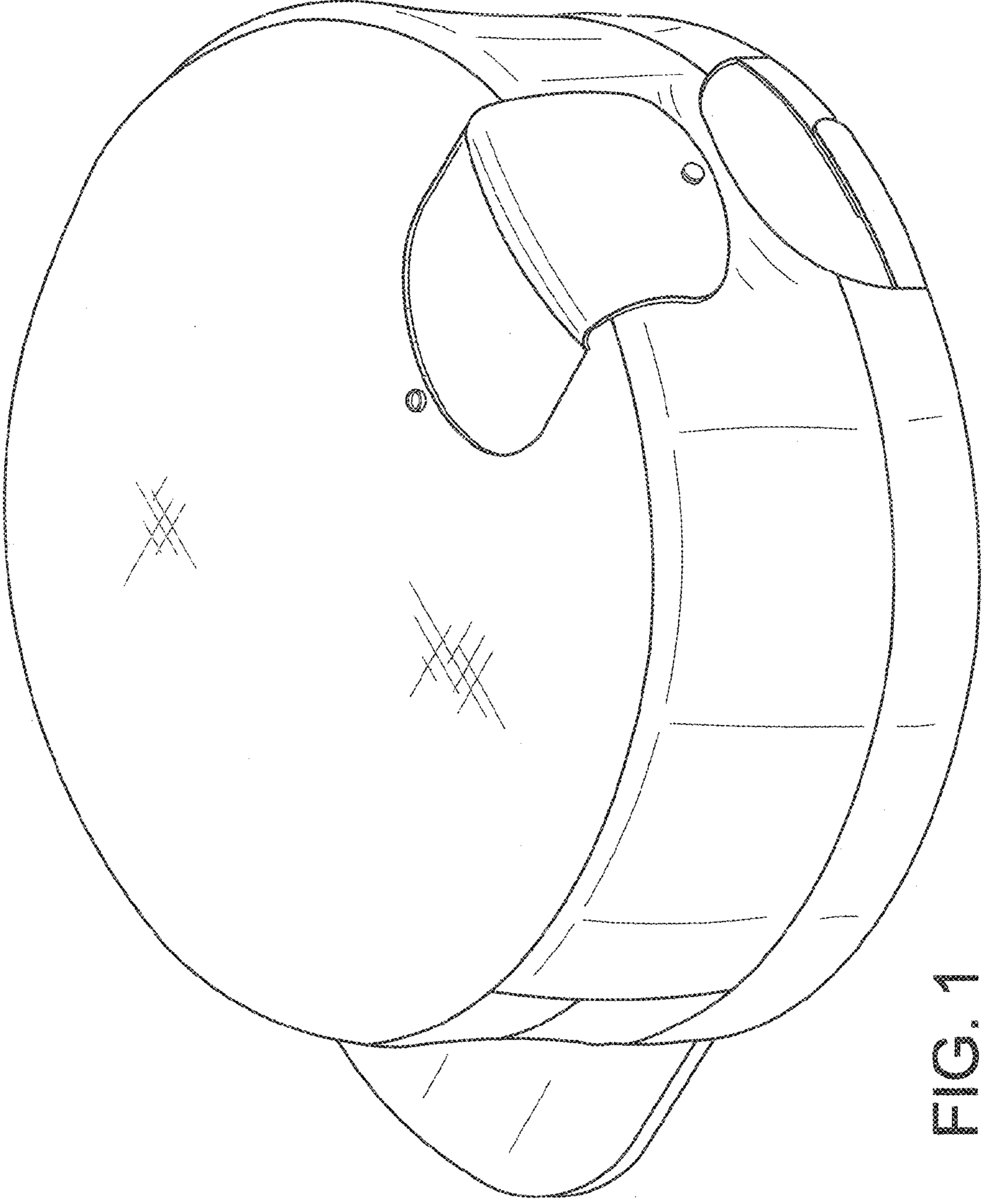


FIG. 1

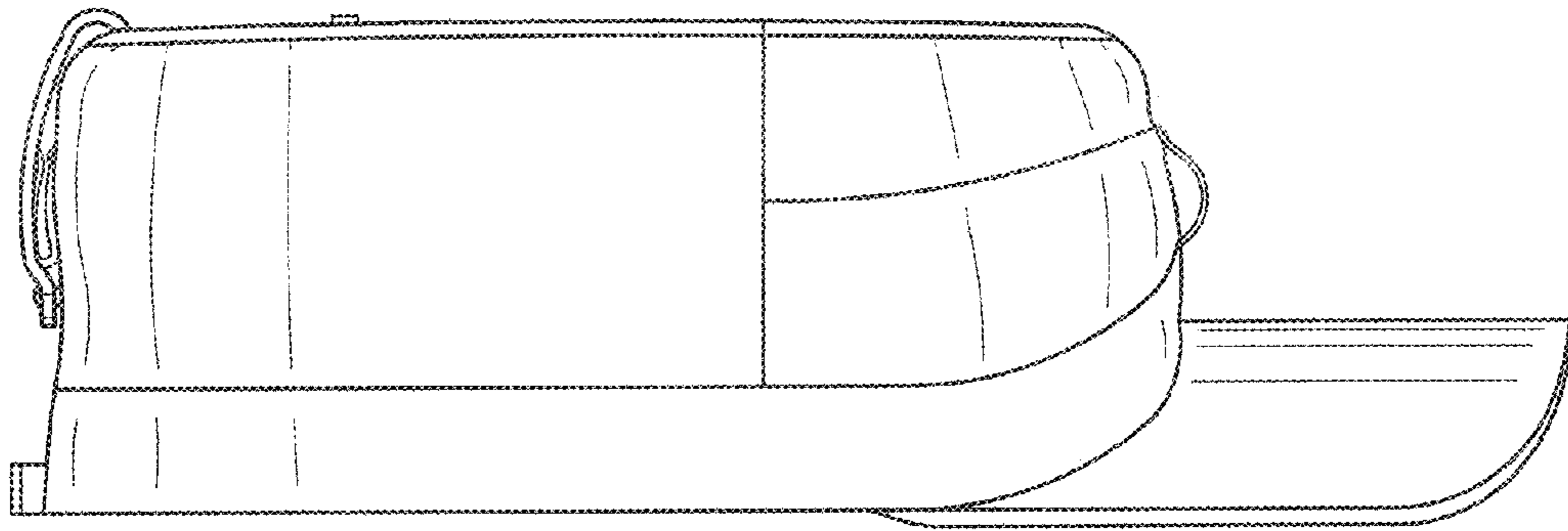


FIG. 2

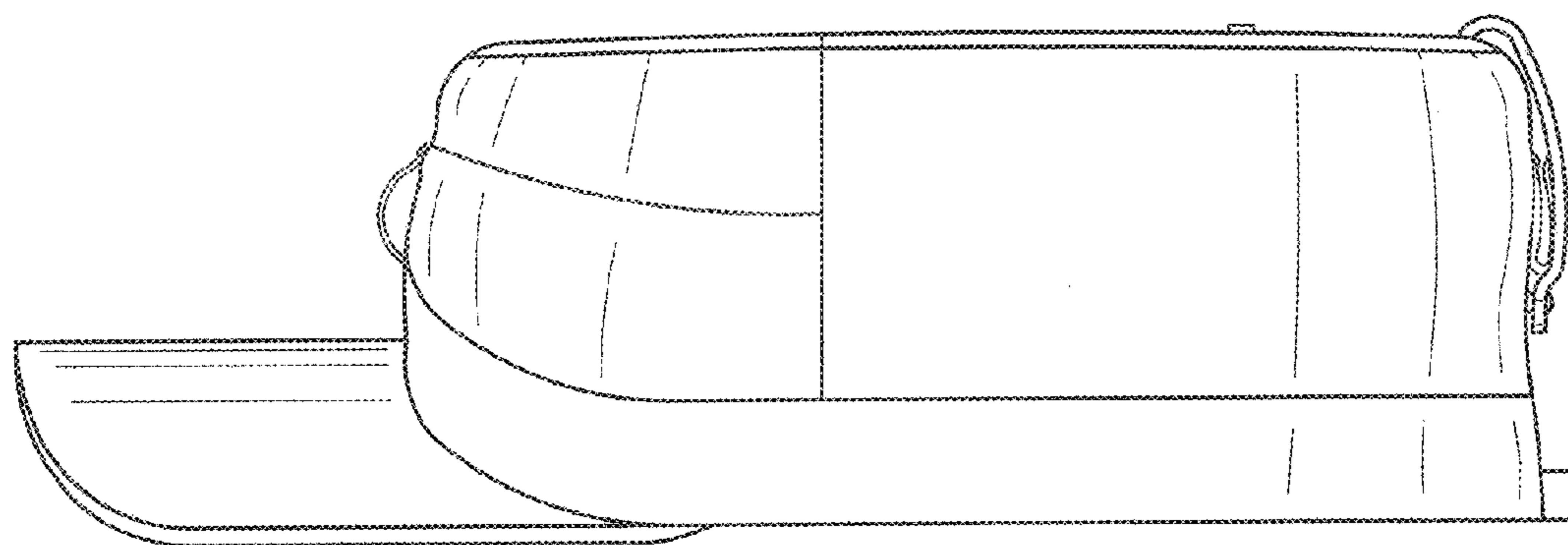


FIG. 3

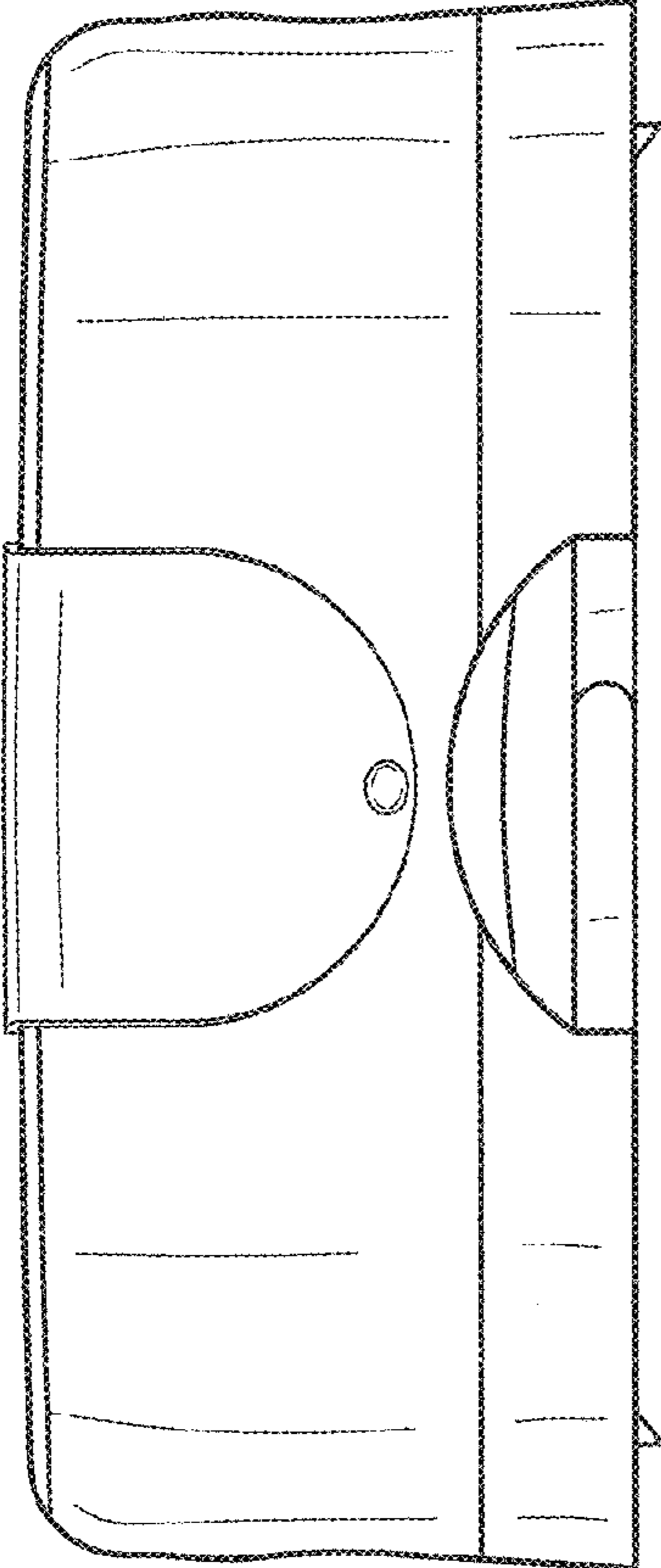


FIG. 4

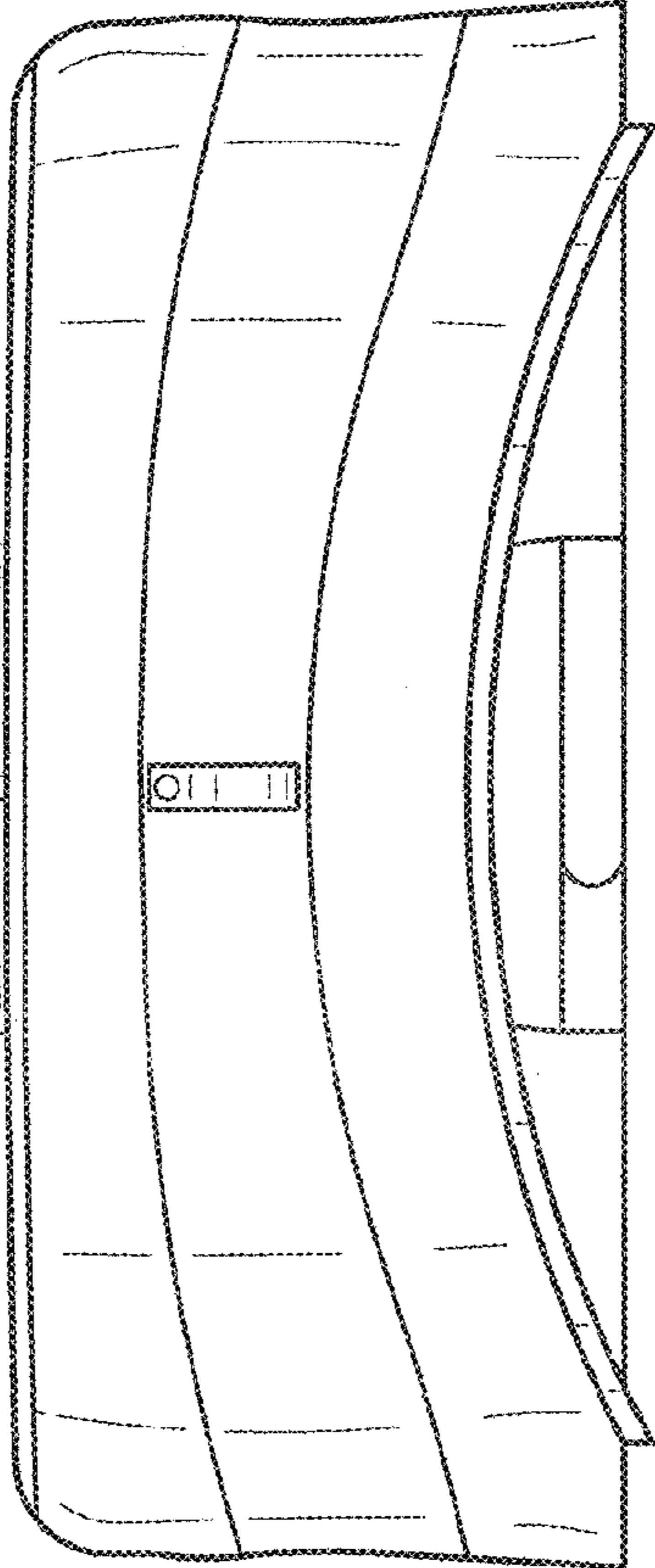


FIG. 5

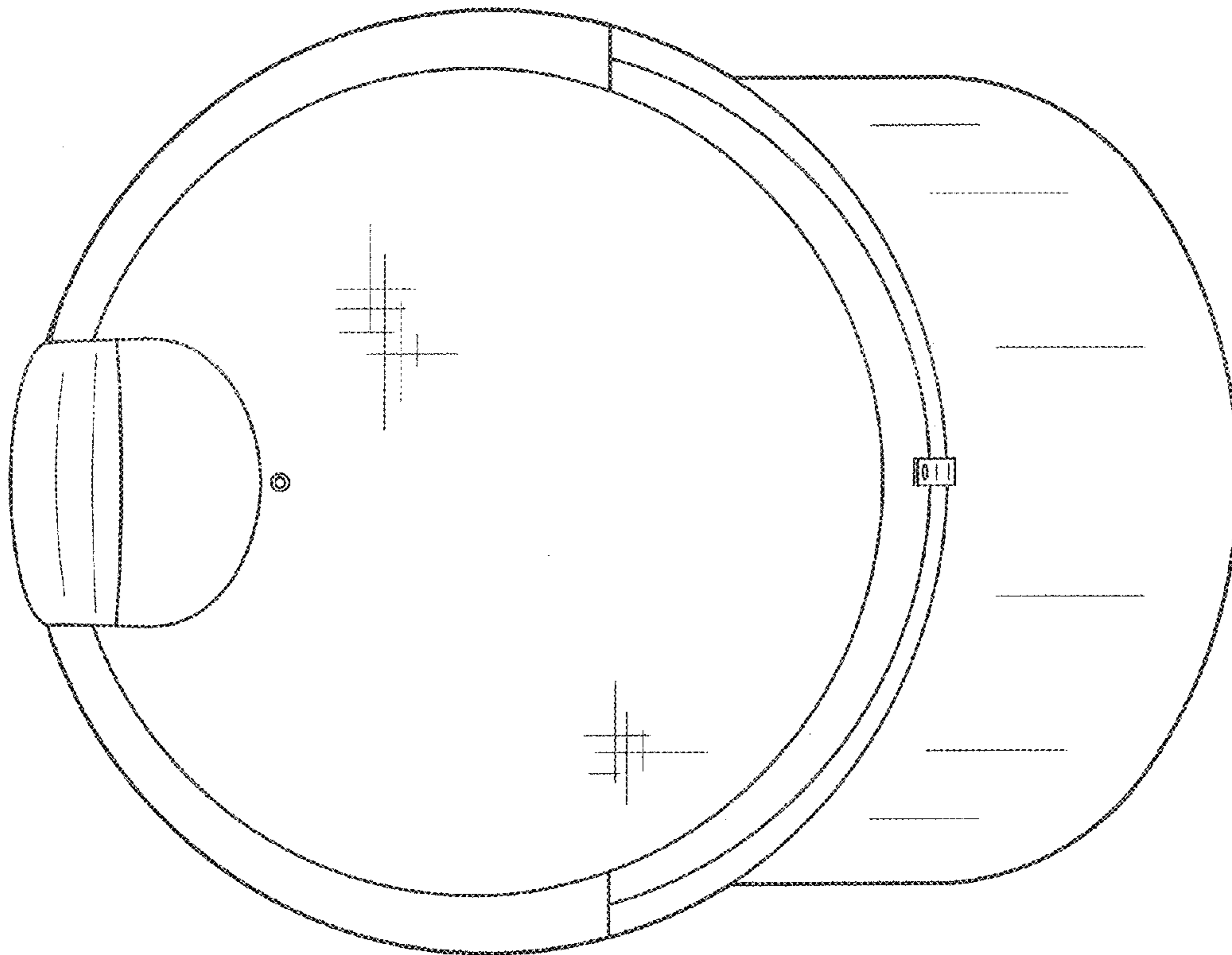


FIG. 6

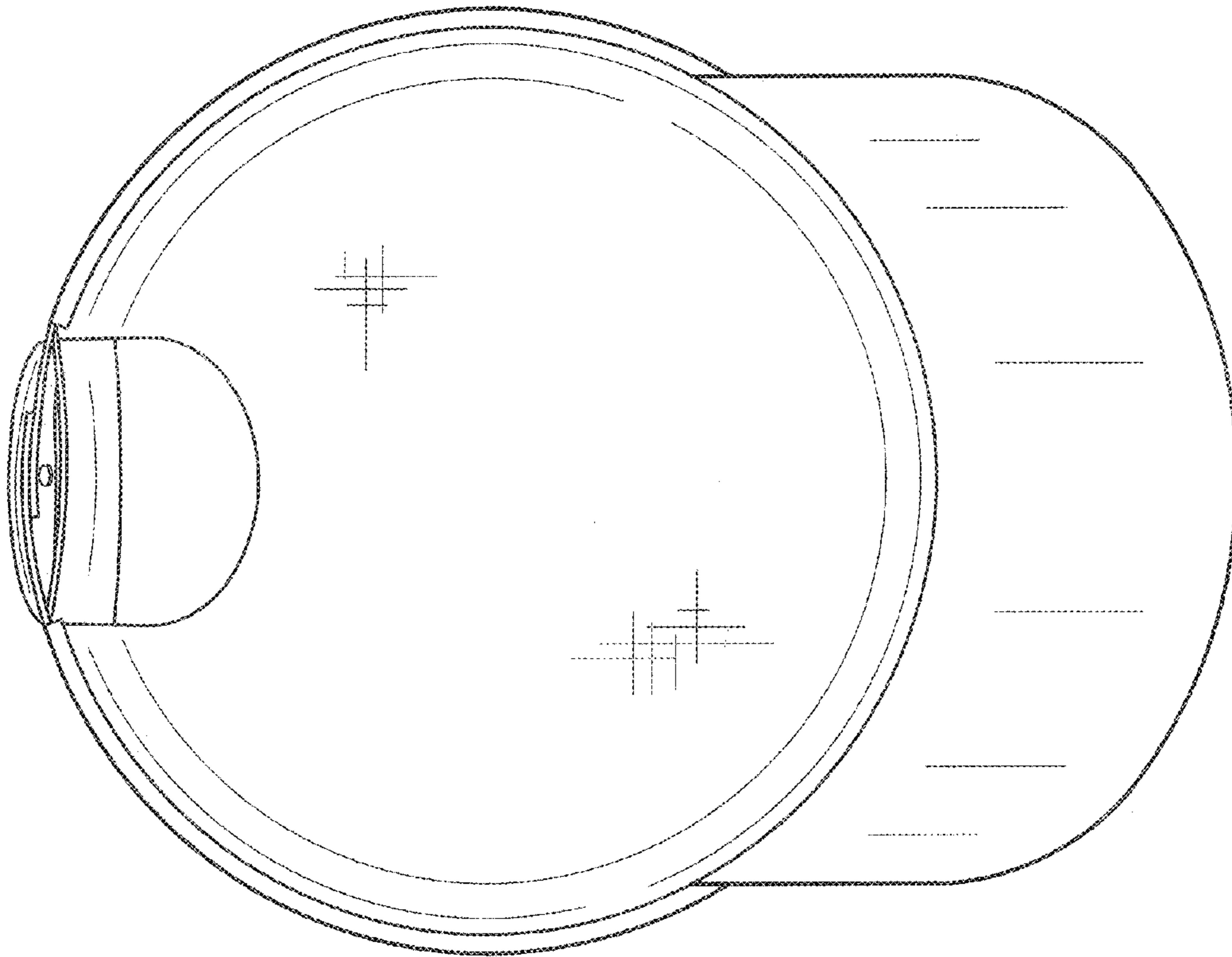


FIG. 7

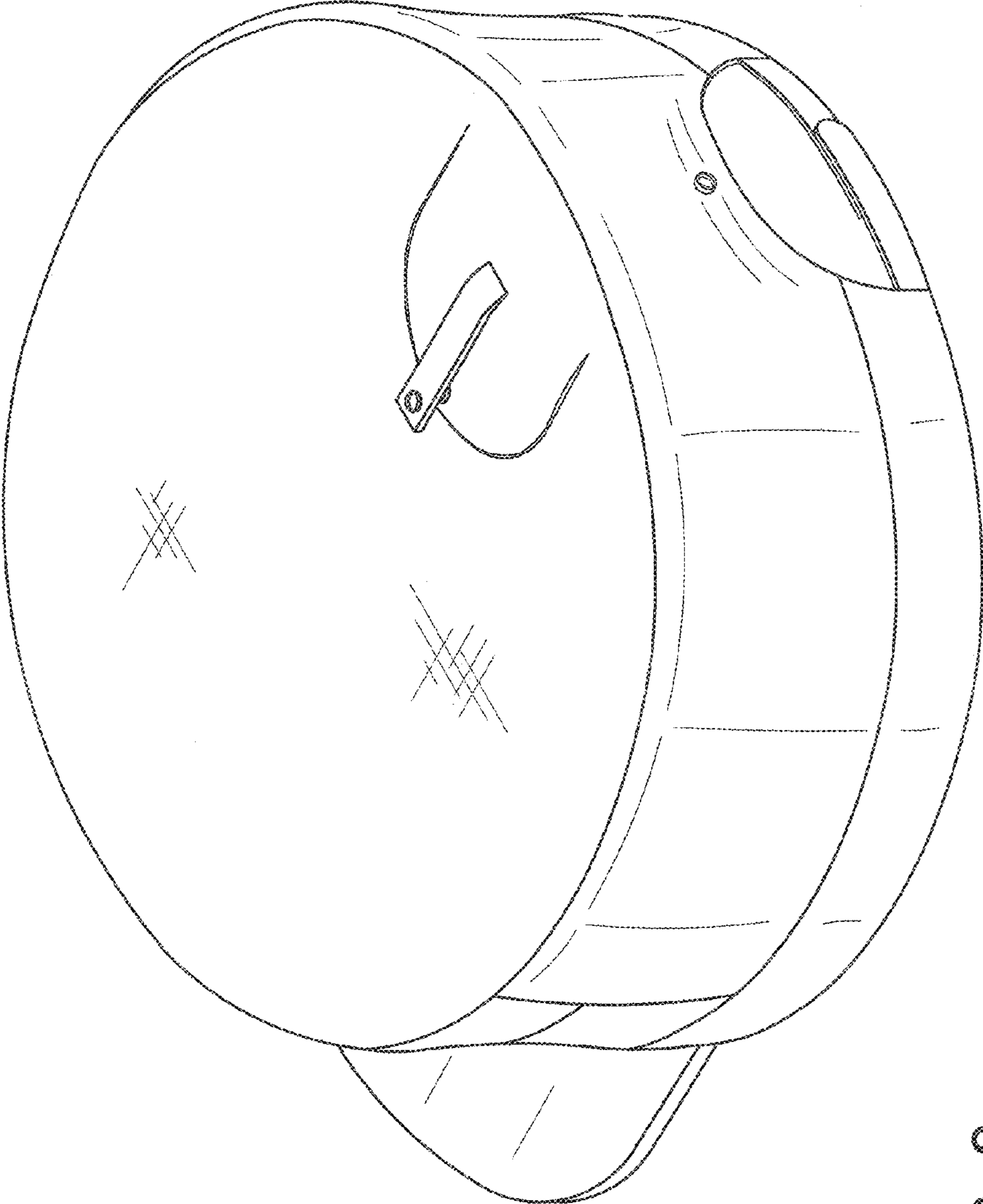


FIG. 8