



US00D691348S

(12) **United States Design Patent**
Glaze

(10) **Patent No.:** **US D691,348 S**

(45) **Date of Patent:** **** Oct. 15, 2013**

(54) **SHIRT WITH AN EYEGLASSES POCKET**

(76) **Inventor:** **James L. Glaze**, San Diego, CA (US)

(**) **Term:** **14 Years**

(21) **Appl. No.:** **29/381,029**

(22) **Filed:** **Dec. 14, 2010**

(51) **LOC (9) Cl.** **02-02**

(52) **U.S. Cl.**
USPC **D2/840**

(58) **Field of Classification Search**

USPC D2/717, 724, 725, 749, 750, 751, 755,
D2/828, 830-834, 836, 839-841, 844, 845,
D2/847, 849, 779; 2/84, 90, 93, 95-98,
2/106, 108, 115, 116

See application file for complete search history.

(56) **References Cited**

U.S. PATENT DOCUMENTS

549,829 A	11/1895	Shrier	
D53,089 S	3/1911	Seslor	
1,488,539 A	4/1924	Harsh	
D68,900 S	12/1925	Breier	
D130,692 S	12/1941	Lardner	
D147,177 S	7/1947	Gultman	
2,506,850 A	5/1950	Amsler	
D161,540 S	1/1951	Russfield	
D171,166 S	12/1953	Odom	
2,688,752 A	9/1954	Sbarra	
3,296,627 A *	1/1967	Beard et al.	2/113
4,062,064 A *	12/1977	Vosatka	2/252
4,825,471 A	5/1989	Jennings	
4,896,377 A *	1/1990	Ferdi	2/115
D316,924 S	5/1991	Berberian	
D333,030 S	2/1993	Wilkes	

(Continued)

Primary Examiner — Rashida Johnson

(74) *Attorney, Agent, or Firm* — Buche & Associates; John K. Buche

(57) **CLAIM**

The ornamental design for a shirt with an eyeglasses pocket, as shown and described.

DESCRIPTION

FIG. 1 is a perspective view of a shirt with an eyeglasses pocket, showing a first embodiment of the design.

FIG. 2 is a front view of the shirt with an eyeglasses pocket of FIG. 1.

FIG. 3 is a back view of the shirt with an eyeglasses pocket of FIG. 1.

FIG. 4 is a right side view of the shirt with an eyeglasses pocket of FIG. 1.

FIG. 5 is a left side view of the shirt with an eyeglasses pocket of FIG. 1.

FIG. 6 is a top view of the shirt with an eyeglasses pocket of FIG. 1.

FIG. 7 is a bottom view of the shirt with an eyeglasses pocket of FIG. 1.

FIG. 8 is a front perspective view of the shirt with an eyeglasses pocket of FIG. 1, shown in use.

FIG. 9 is a perspective view of another shirt with an eyeglasses pocket, showing a second embodiment of the design.

FIG. 10 is a front view of the shirt with an eyeglasses pocket of FIG. 9.

FIG. 11 is a back view of the shirt with an eyeglasses pocket of FIG. 9.

FIG. 12 is a right side view of the shirt with an eyeglasses pocket of FIG. 9.

FIG. 13 is a left side view of the shirt with an eyeglasses pocket of FIG. 9.

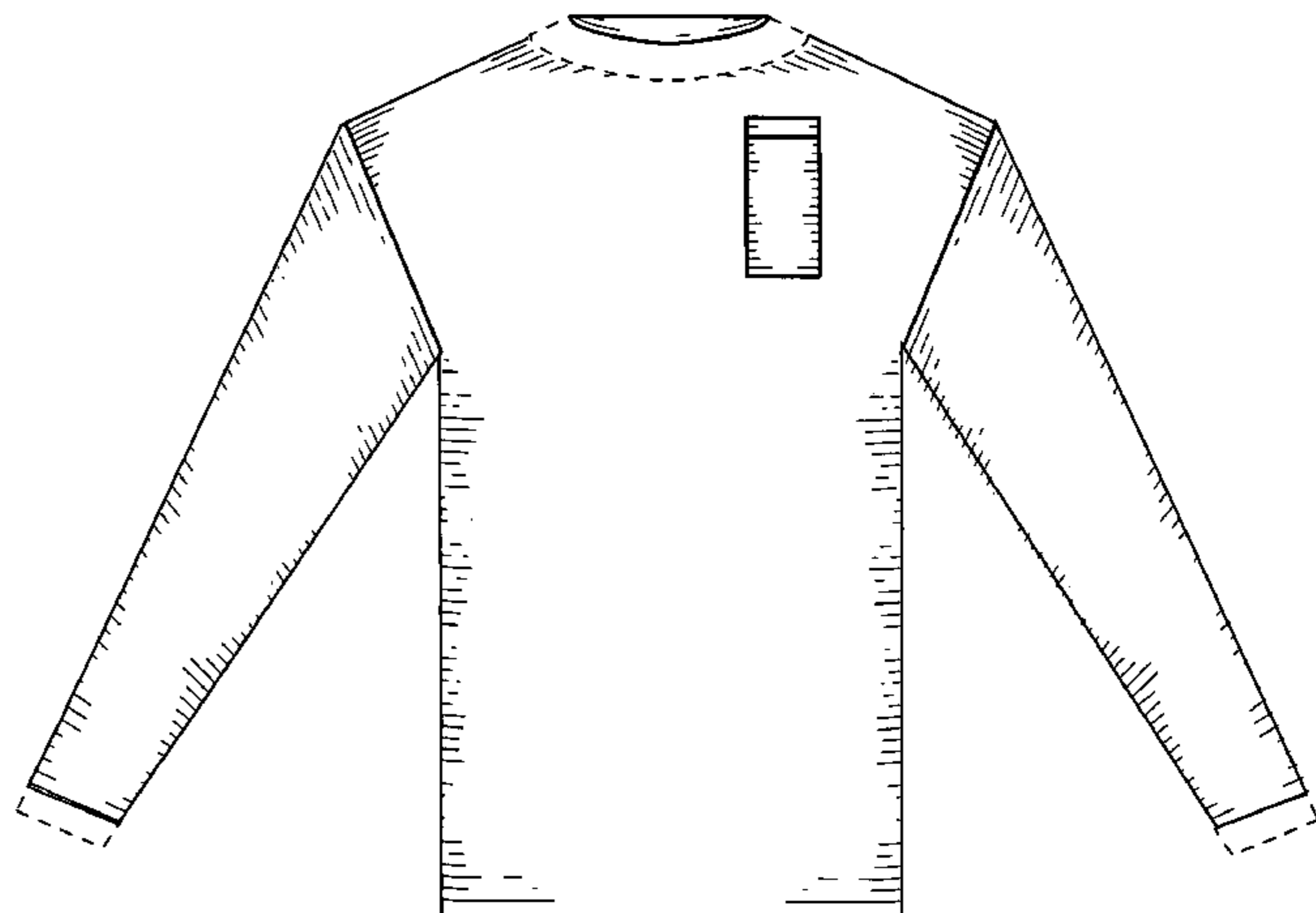
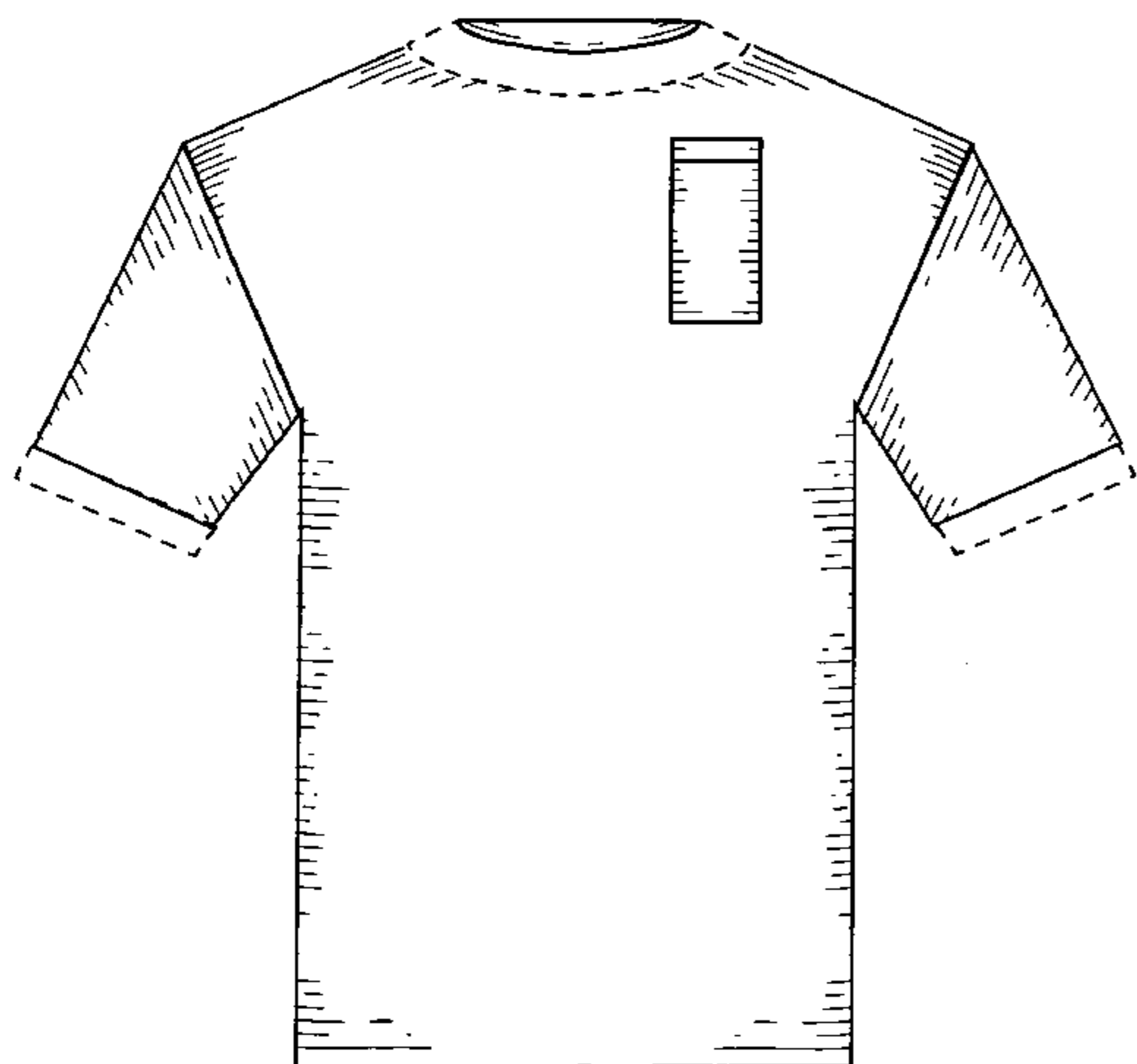
FIG. 14 is a top view of the shirt with an eyeglasses pocket of FIG. 9.

FIG. 15 is a bottom view of the shirt with an eyeglasses pocket of FIG. 9; and,

FIG. 16 is a front perspective view of the shirt with an eyeglasses pocket of FIG. 9, shown in use.

In the figures, collars and cuffs are shown in dashed lines and do not form part of the claimed design.

1 Claim, 8 Drawing Sheets



(56)

References Cited

U.S. PATENT DOCUMENTS

D362,331 S 9/1995 Berger, II
5,481,758 A 1/1996 Gabler
D373,673 S 9/1996 Colling
D373,893 S 9/1996 Patel
D385,090 S 10/1997 Di Pietro
5,903,928 A * 5/1999 Hyung-Seob 2/244
D410,317 S 6/1999 Alexander
D417,333 S 12/1999 Re

D457,708 S 5/2002 Holland
D509,947 S * 9/2005 Fortune D2/840
D565,279 S * 4/2008 Farrell D2/720
D575,933 S * 9/2008 Rhodes D2/840
D581,131 S * 11/2008 Rhodes D2/717
D590,130 S * 4/2009 Rhodes D2/717
D614,834 S 5/2010 Rhodes
D624,728 S * 10/2010 Cooper D2/717
2004/0009731 A1 * 1/2004 Rabinowicz 442/316
2007/0180596 A1 * 8/2007 Shelton 2/113
2010/0042051 A1 * 2/2010 Walker 604/174

* cited by examiner

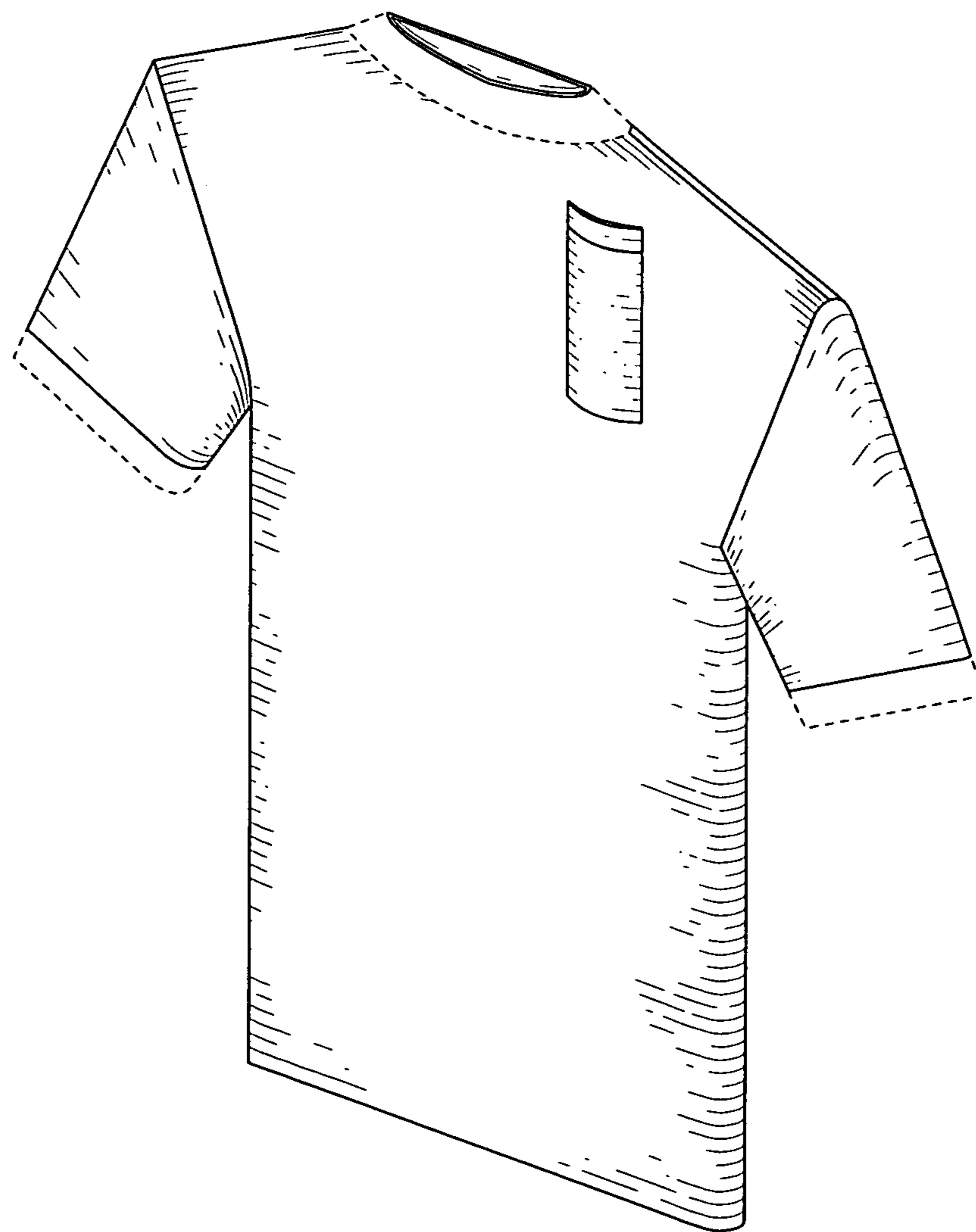


FIG. 1

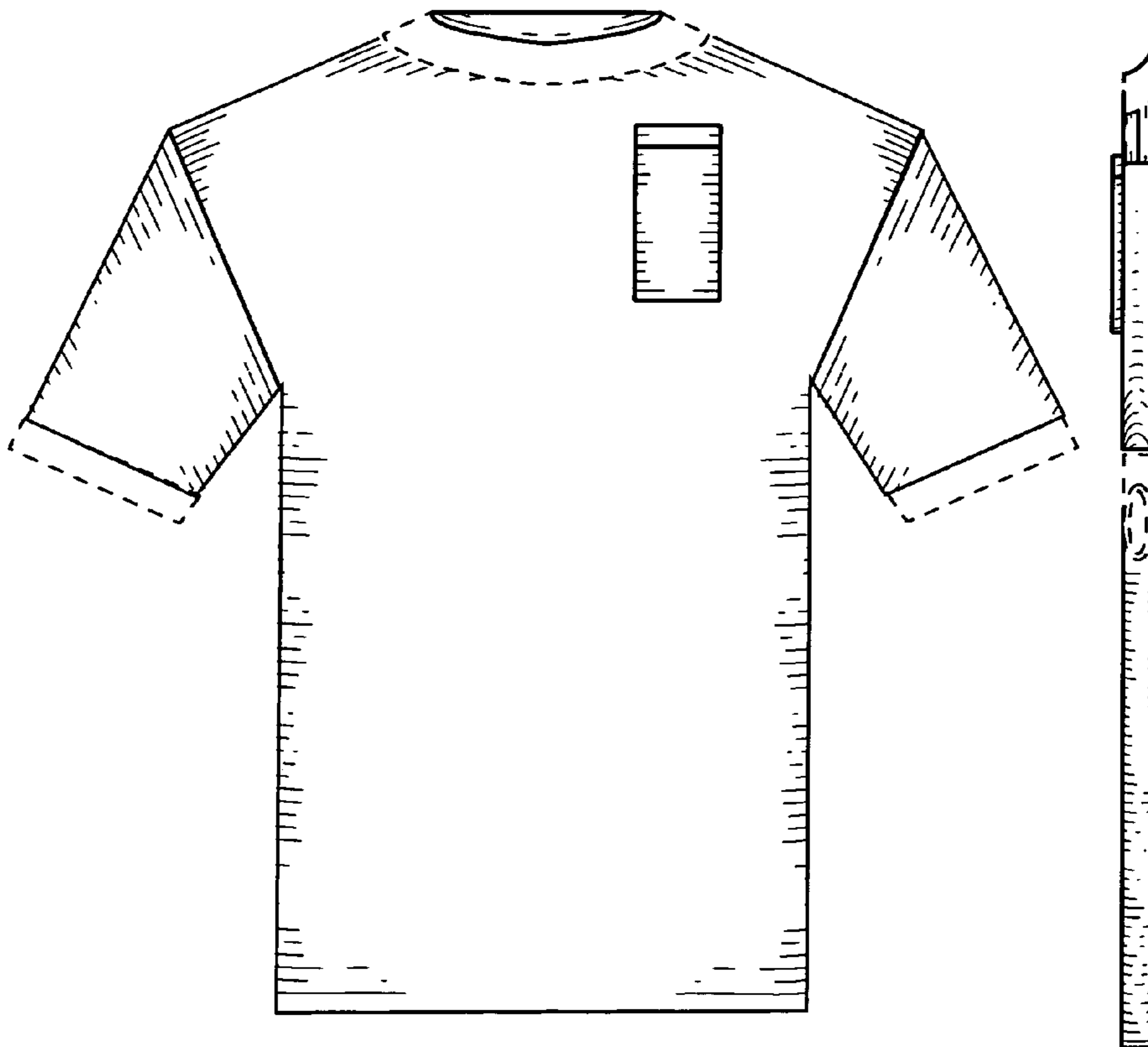


FIG. 2

FIG. 5

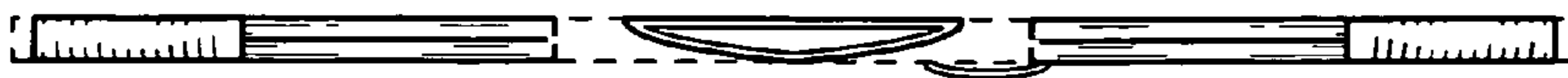


FIG. 6

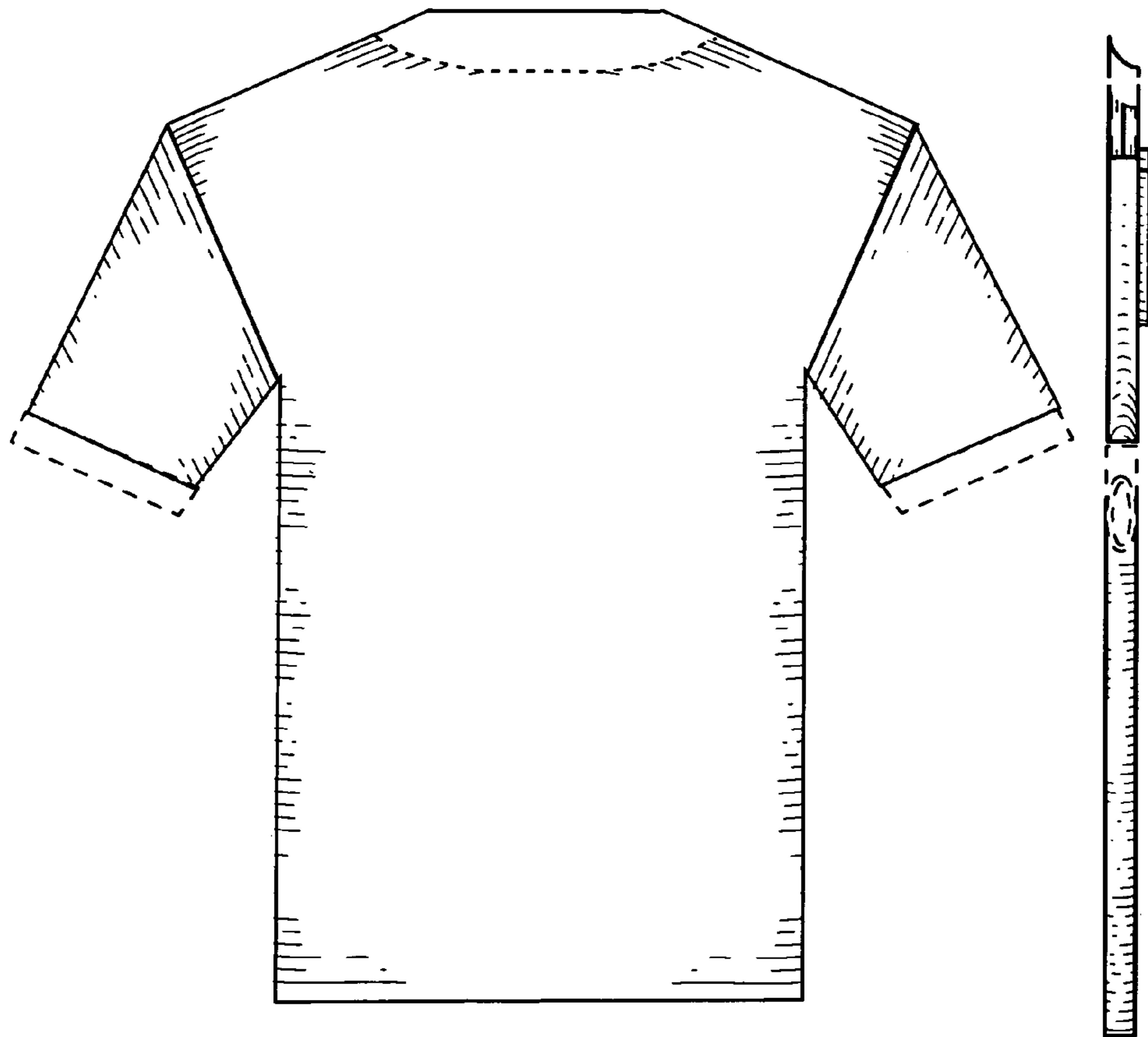


FIG. 3

FIG. 4

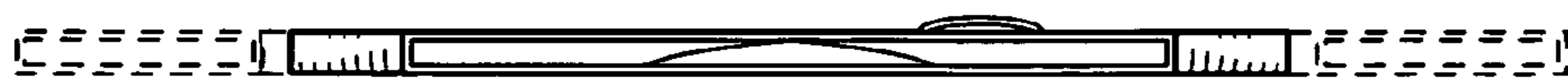


FIG. 7

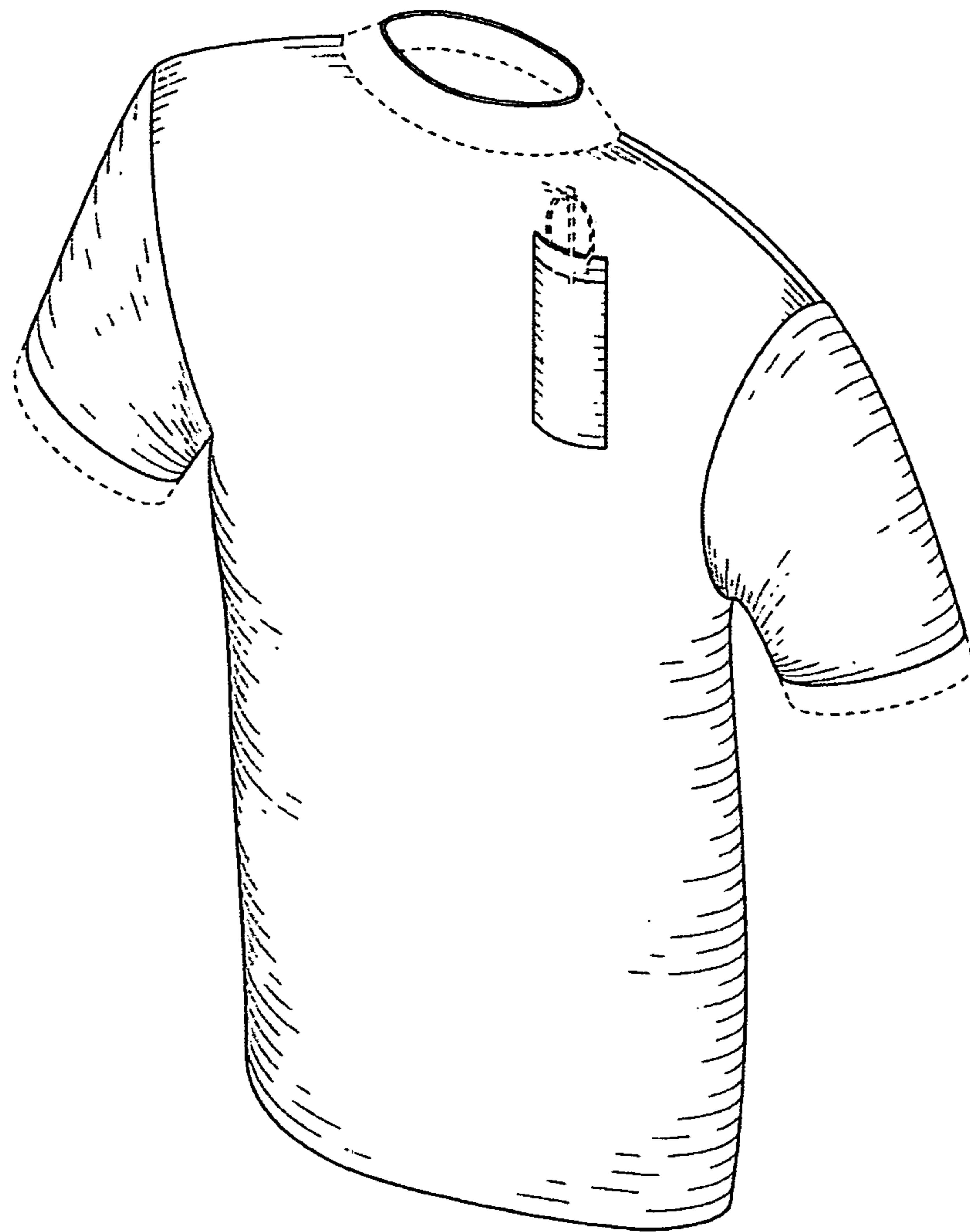


FIG. 8

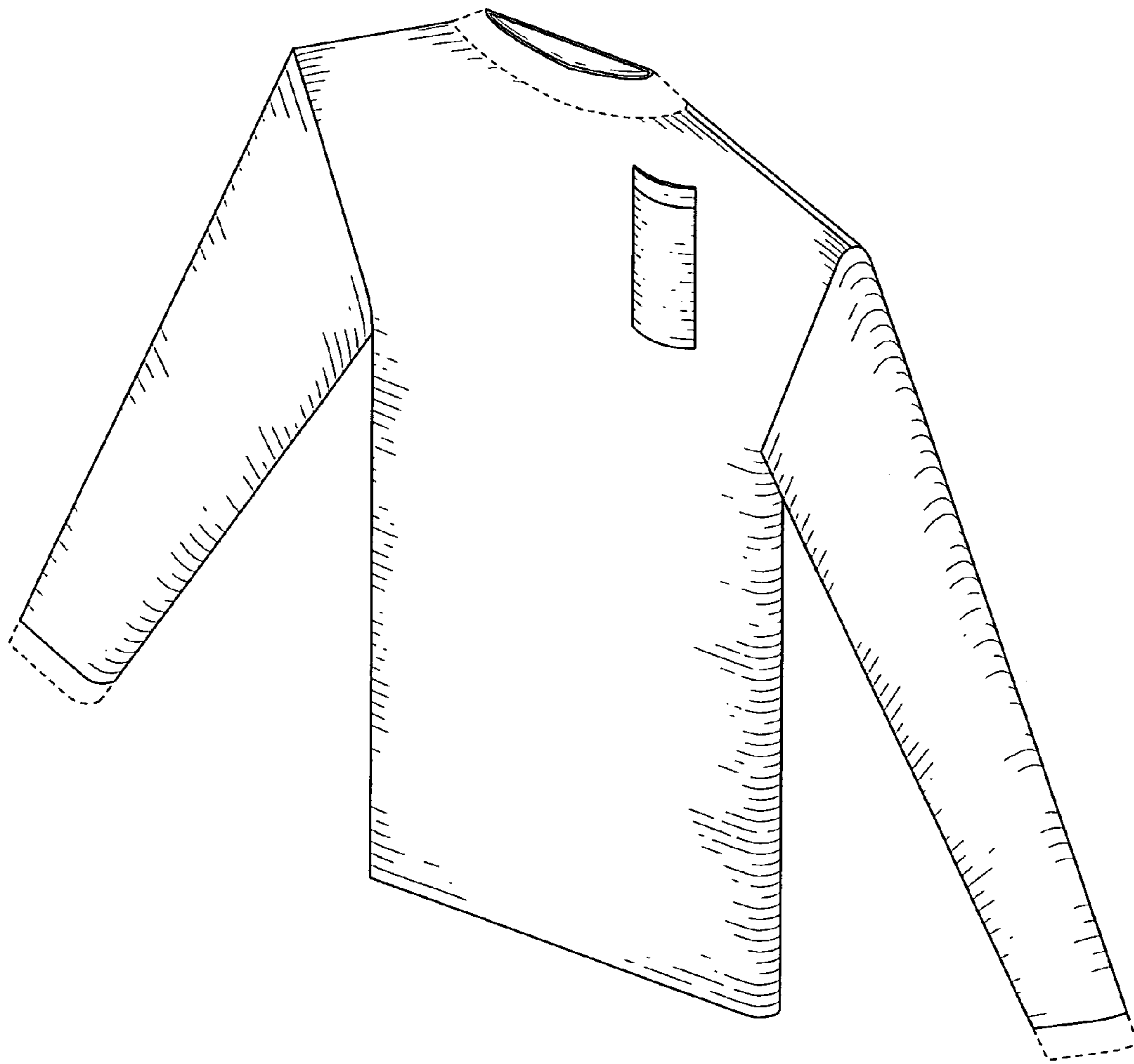


FIG. 9

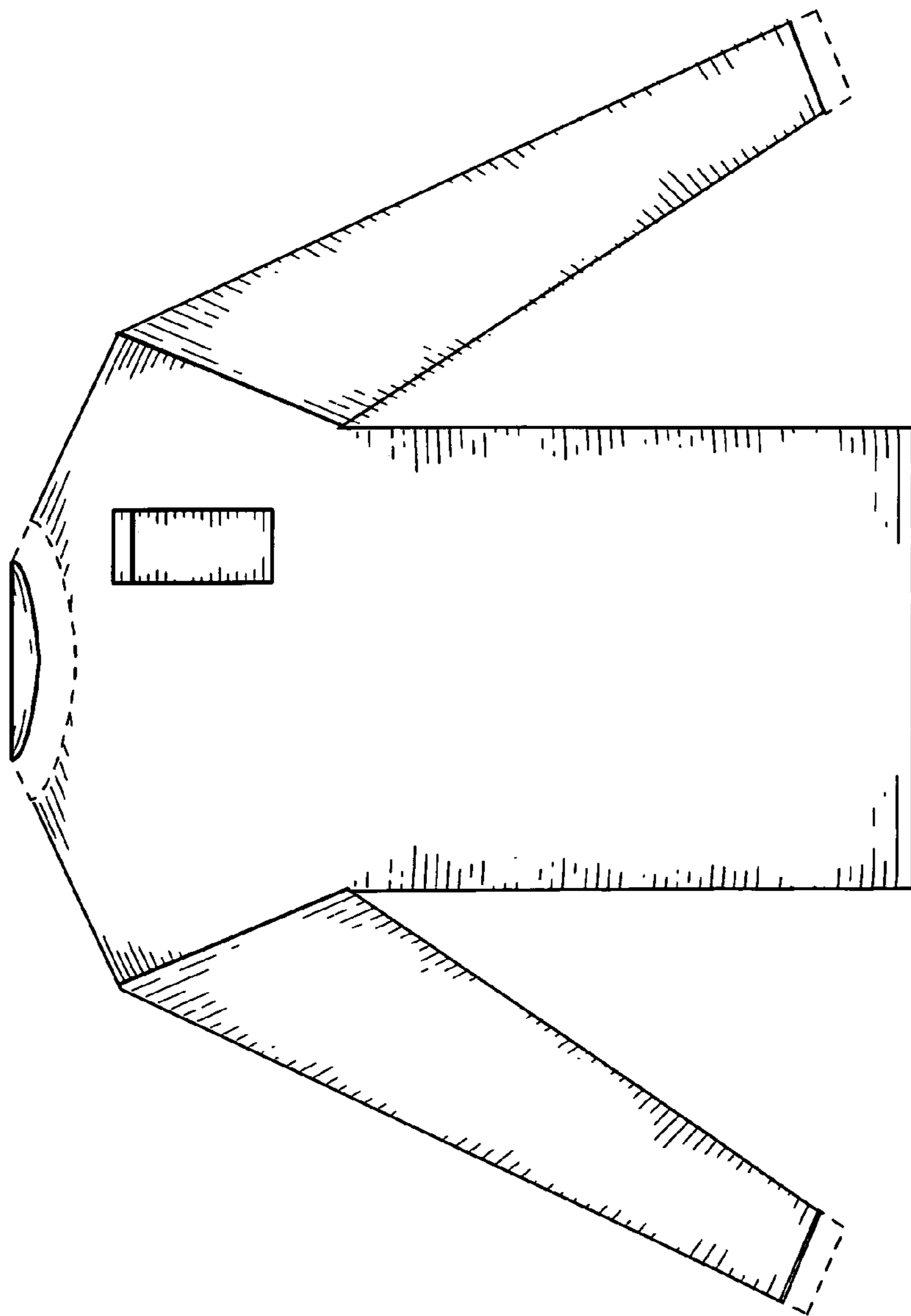


FIG. 10

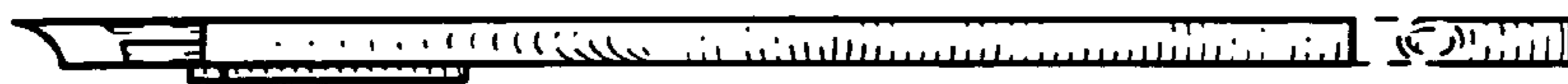


FIG. 13



FIG. 14

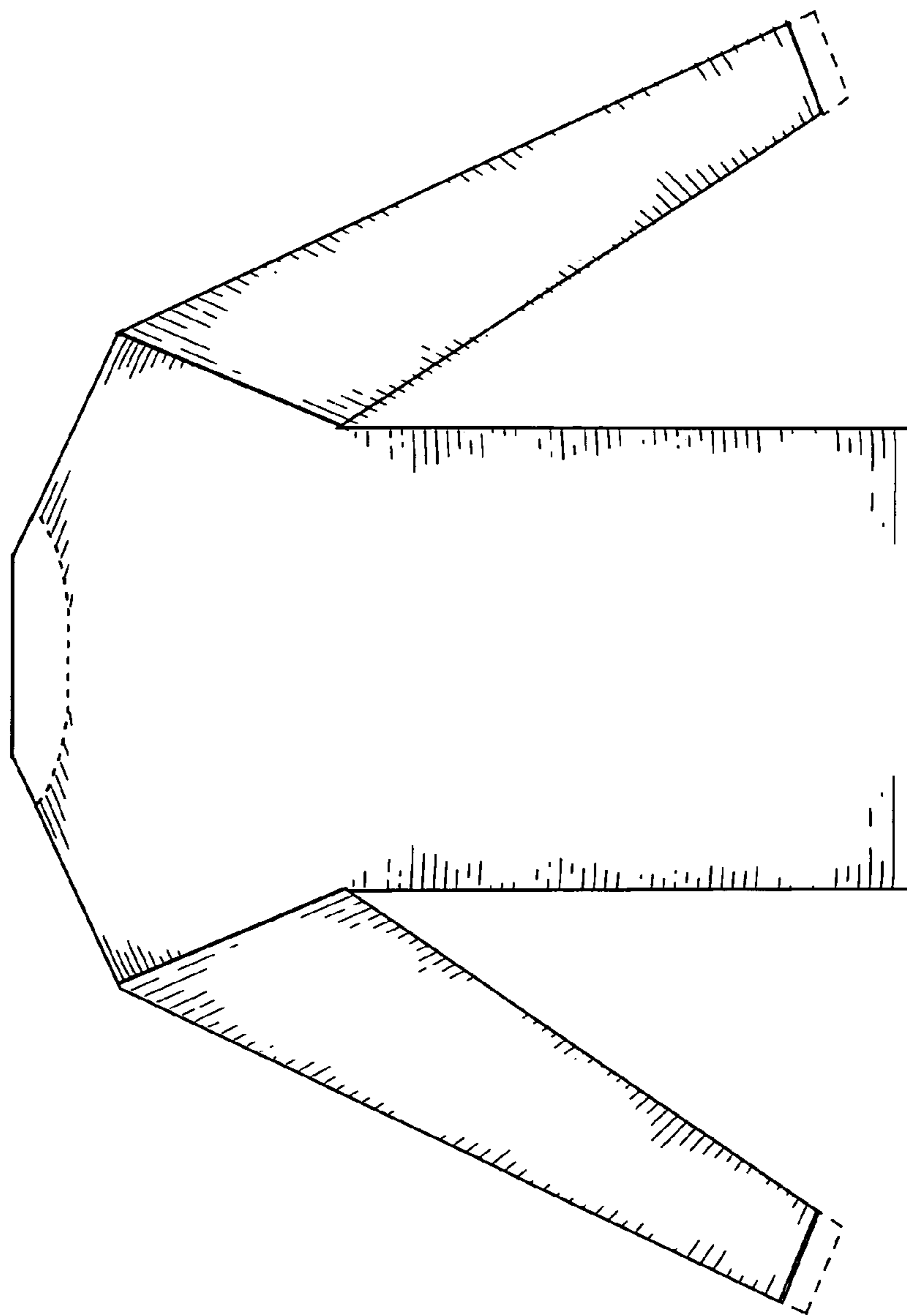


FIG. 11



FIG. 12



FIG. 15

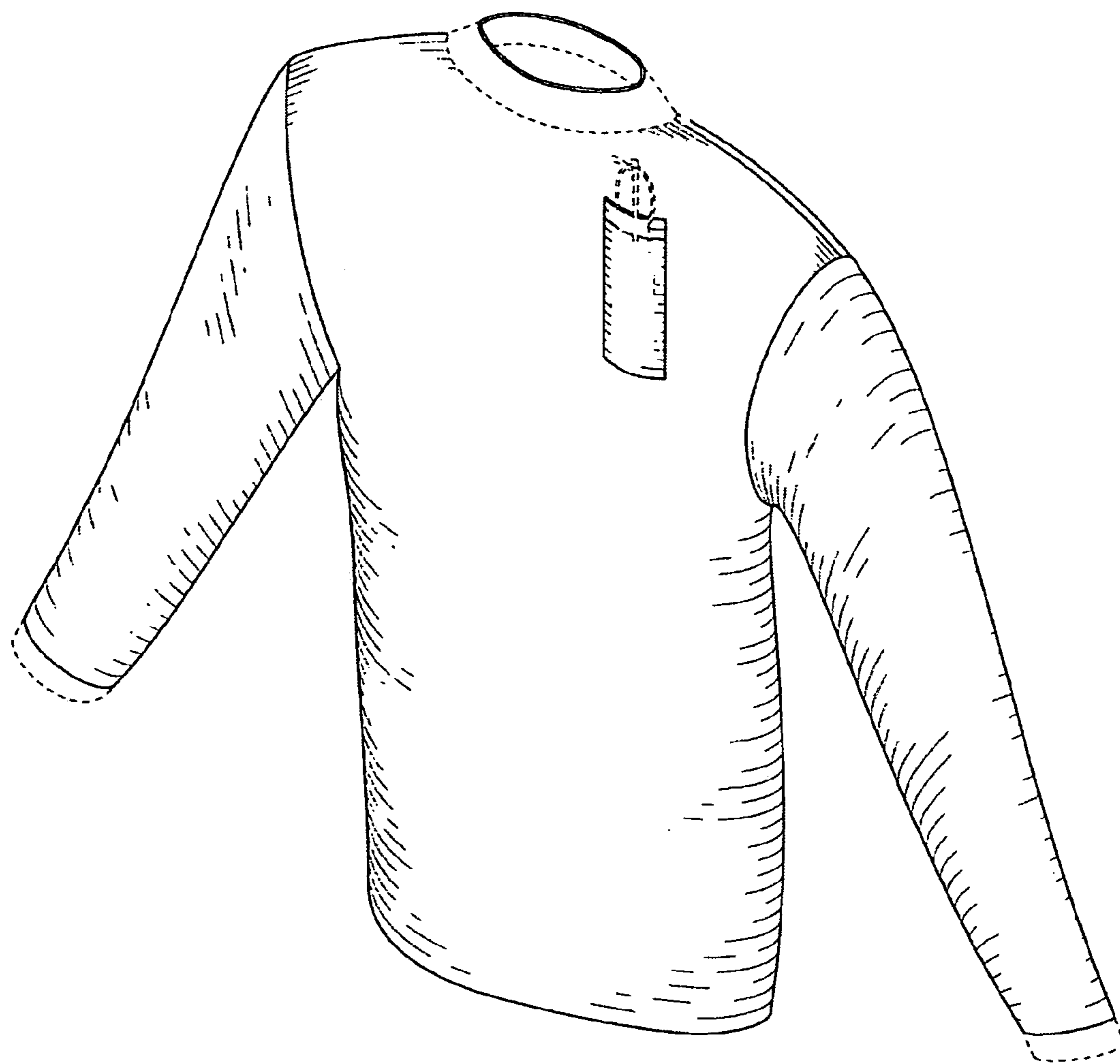


FIG. 16