



US00D691344S

(12) **United States Design Patent**
Hacker

(10) **Patent No.:** **US D691,344 S**

(45) **Date of Patent:** **** Oct. 8, 2013**

(54) **COIN BANK**

(76) Inventor: **Marshall Hacker**, Montebello, CA (US)

(**) Term: **14 Years**

(21) Appl. No.: **29/419,478**

(22) Filed: **Apr. 27, 2012**

(51) **LOC (9) Cl.** **99-00**

(52) **U.S. Cl.**
USPC **D99/35**

(58) **Field of Classification Search**

USPC D99/28, 34, 35, 36, 37, 43, 99; D3/207,
D3/208, 260, 272, 273; 206/0.8, 0.81, 0.815,
206/0.82, 0.83, 0.84, 38.1, 234, 39, 39.1;
109/1 R, 1 V, 2, 24.1, 58, 59 R, 66; 446/8-13
See application file for complete search history.

(56) **References Cited**

U.S. PATENT DOCUMENTS

1,781,920	A *	11/1930	Fisher	232/4 R
1,909,214	A *	5/1933	Nagle	206/0.815
D155,798	S *	11/1949	Gaulke	D99/36
2,532,857	A *	12/1950	Ricciardi	220/662
D325,456	S *	4/1992	Scaife	D99/28
D327,793	S *	7/1992	McGrory	D6/448
D471,692	S *	3/2003	Scanduzzi	D99/35
D484,669	S *	12/2003	Robinson	D99/35
D534,965	S *	1/2007	Chung	D21/519
D570,074	S *	5/2008	Osiecki et al.	D99/28

D623,825	S *	9/2010	Hacker	D99/34
D635,325	S *	3/2011	Plato	D99/28
2004/0045329	A1 *	3/2004	Farnham et al.	70/63

* cited by examiner

Primary Examiner — Elizabeth J Oswecki

(57) **CLAIM**

The ornamental design for a coin bank, as shown and described.

DESCRIPTION

FIG. 1 is a perspective view of a coin bank showing my new design in a closed configuration;
FIG. 2 is a top view thereof;
FIG. 3 is a front view thereof;
FIG. 4 is a side view thereof;
FIG. 5 is a rear view thereof;
FIG. 6 is a bottom view thereof;
FIG. 7 is another perspective view of a coin bank showing my new design in an open configuration;
FIG. 8 is a top view thereof;
FIG. 9 is a front view thereof;
FIG. 10 is a side view thereof; and,
FIG. 11 is a rear view thereof.
The broken lines shown in the drawings represent portions of the coin bank that form no part of the claimed design.

1 Claim, 9 Drawing Sheets

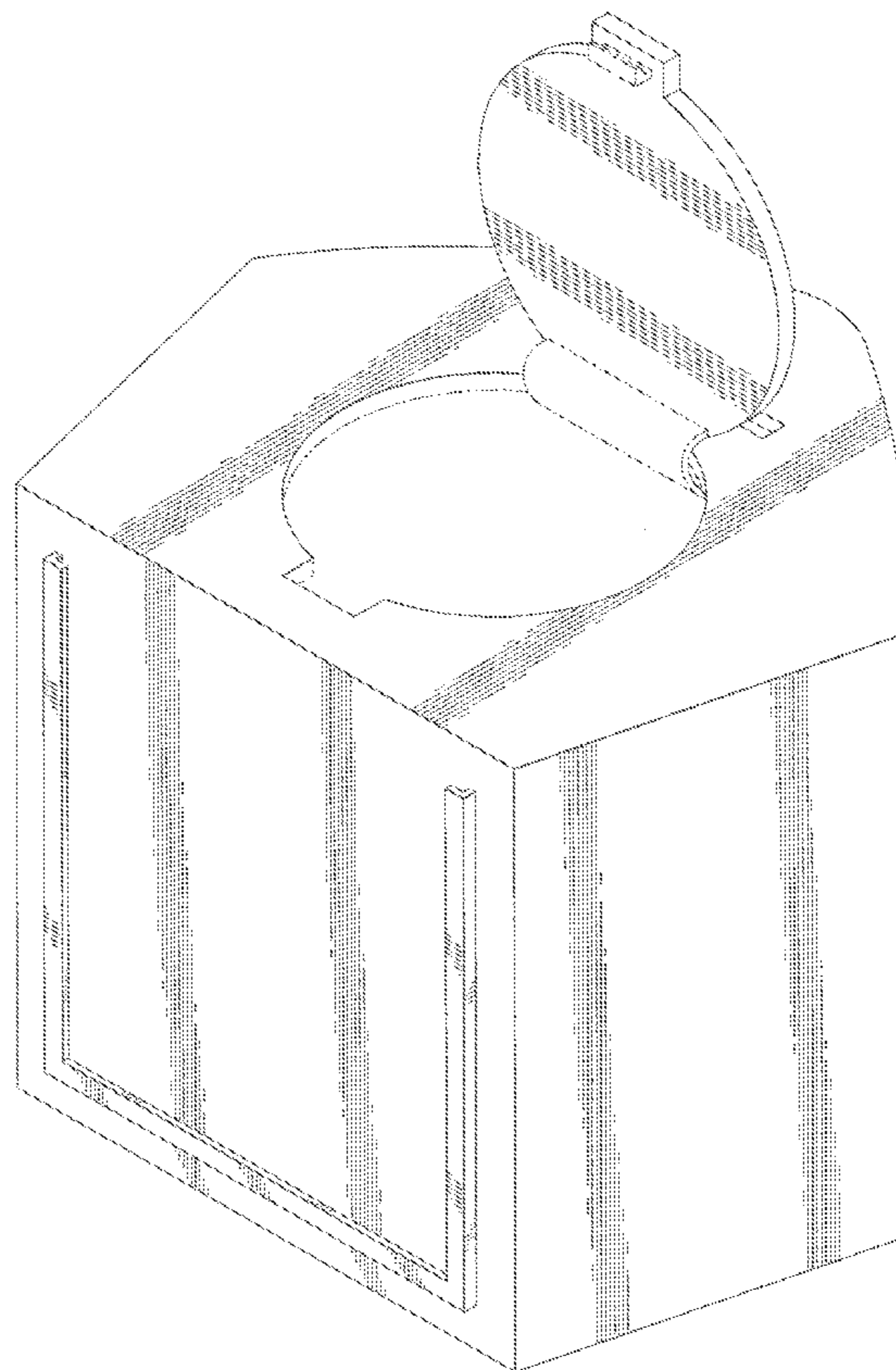
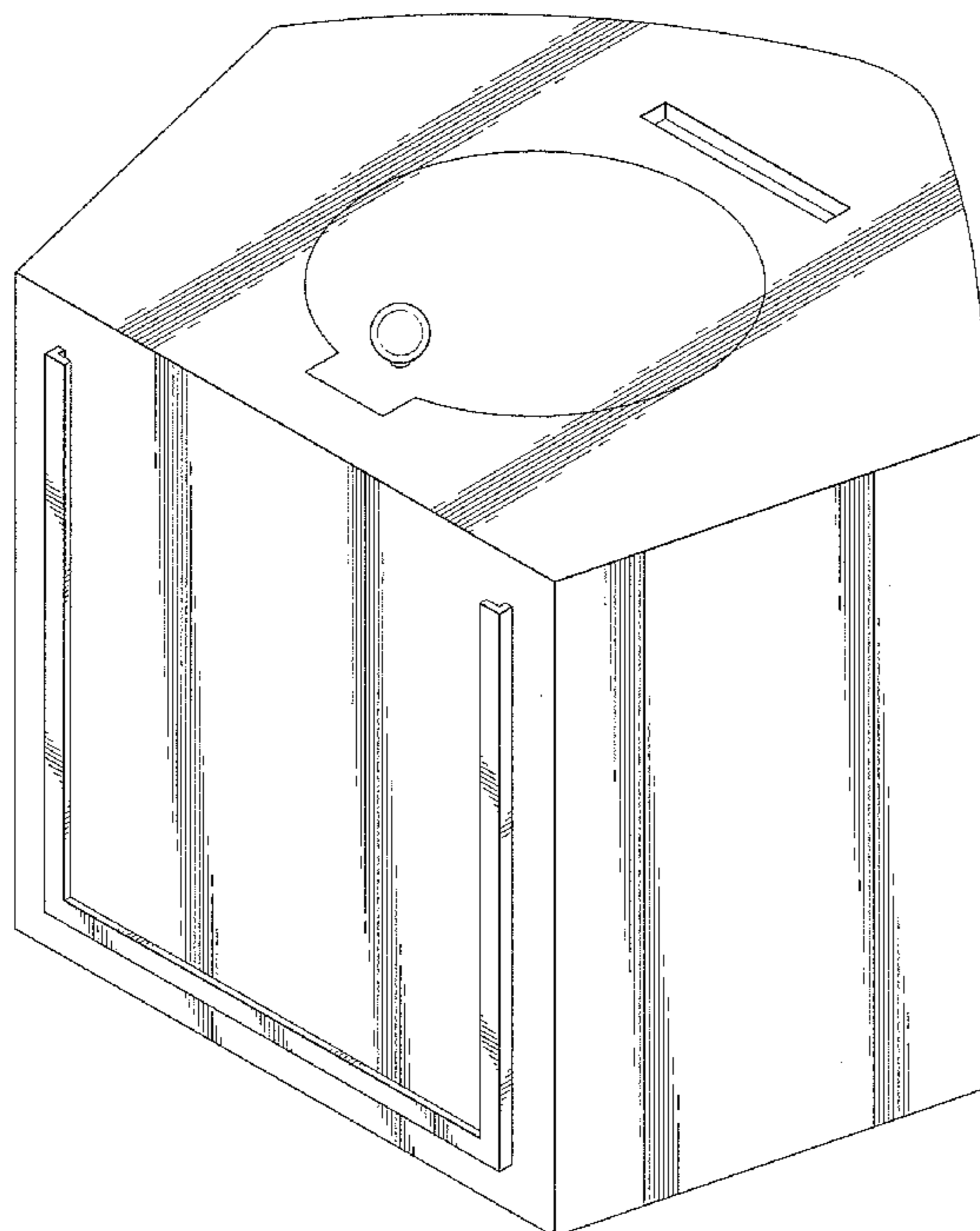


FIG. 1

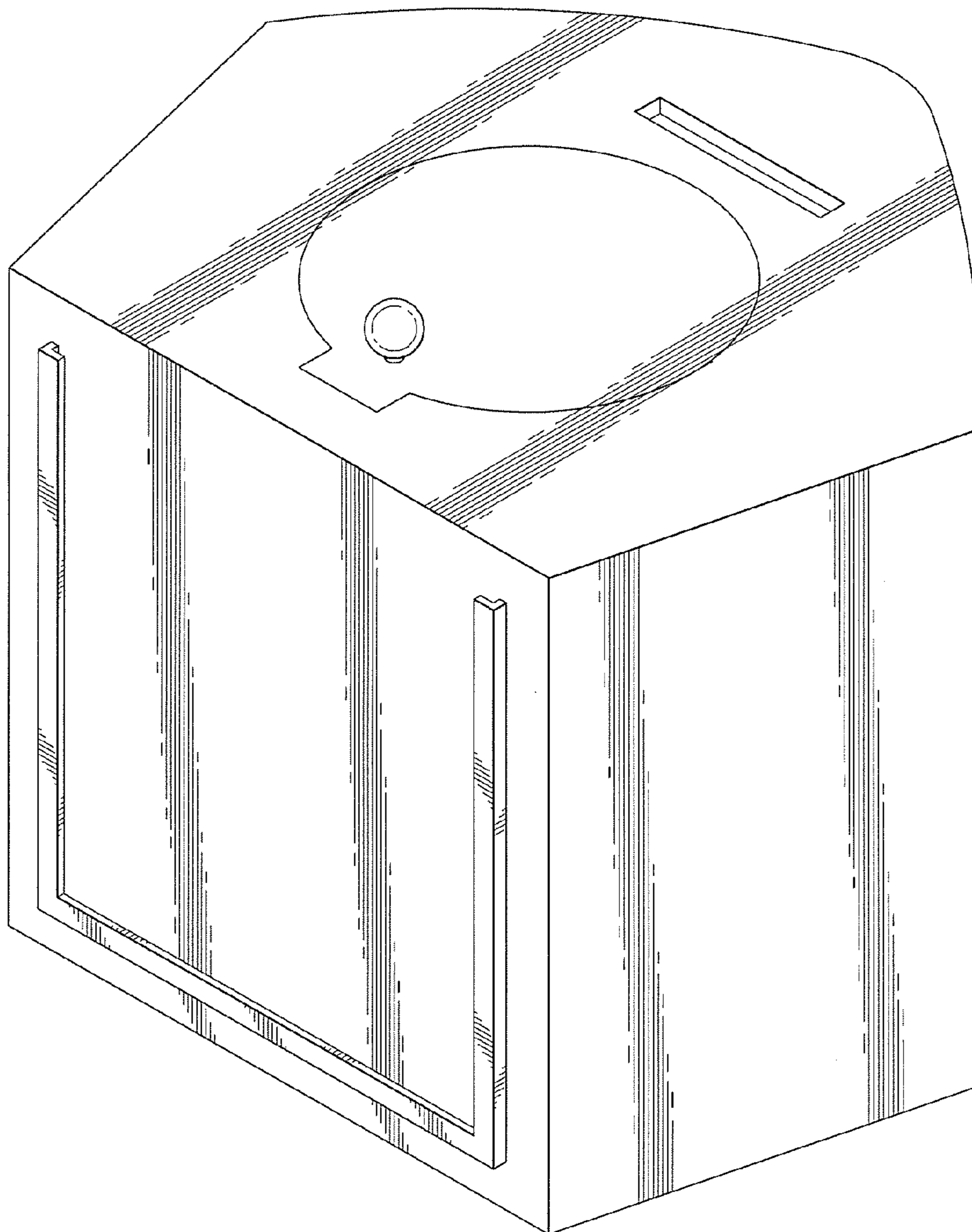


FIG. 2

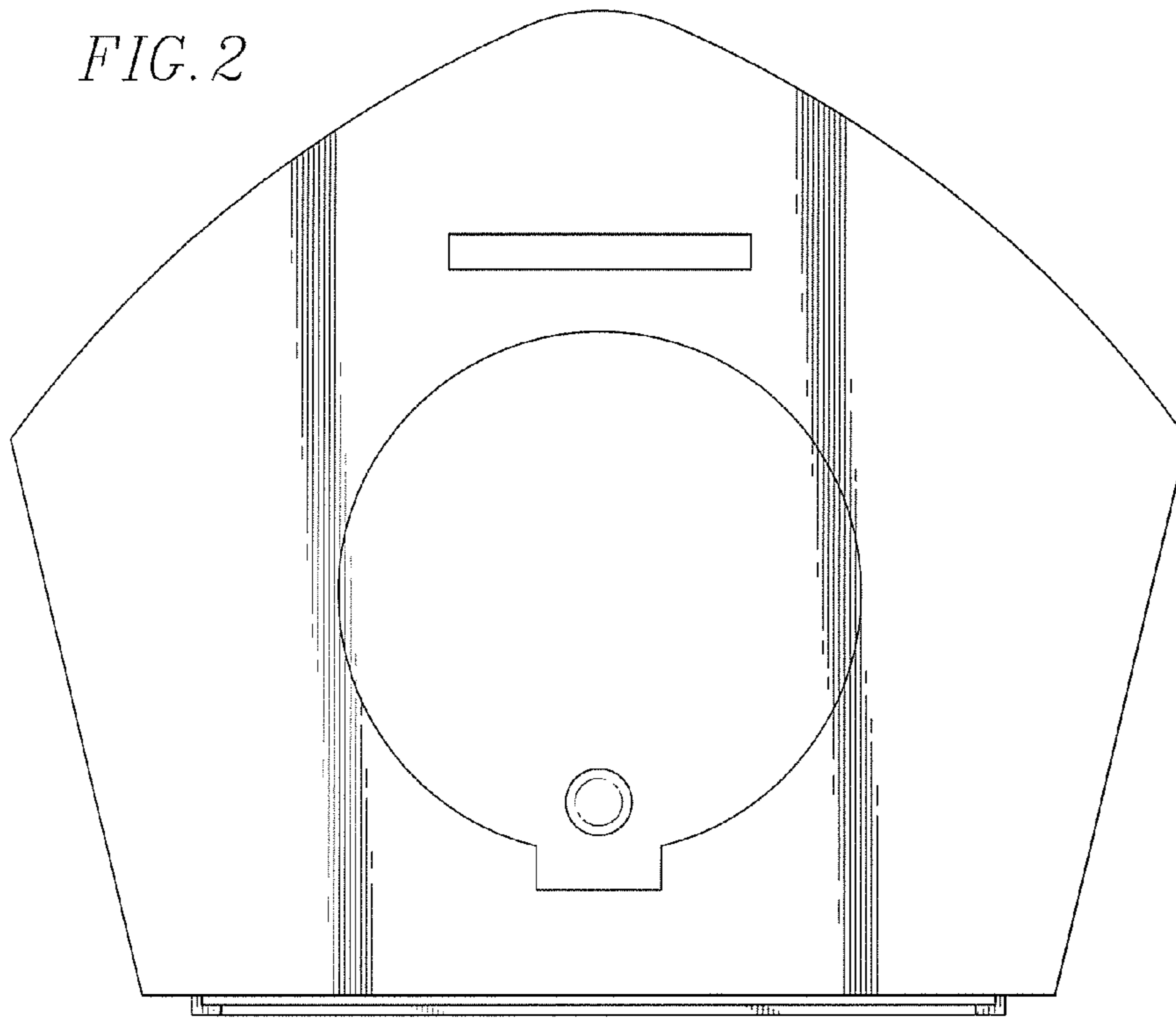


FIG. 3

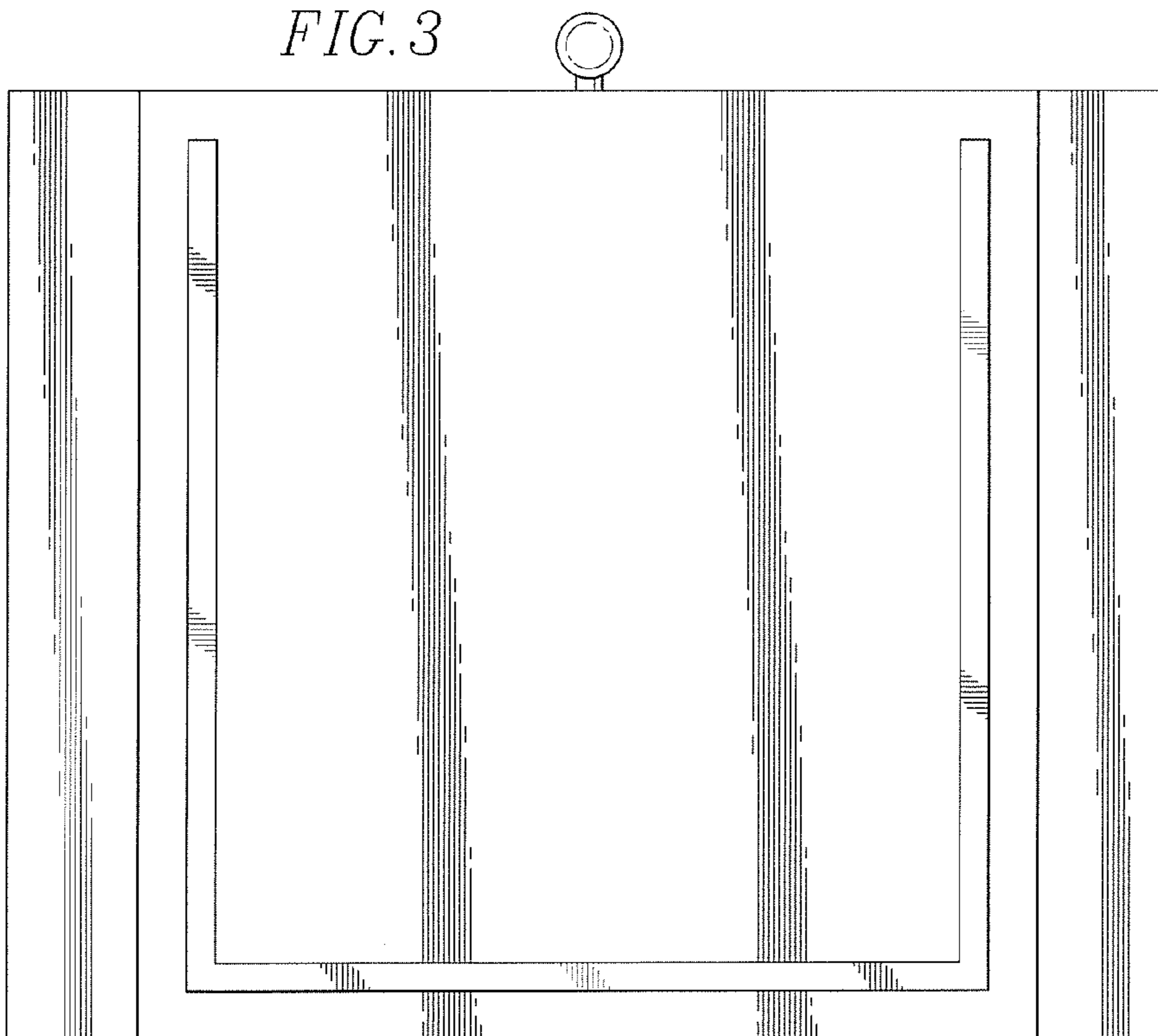


FIG. 4

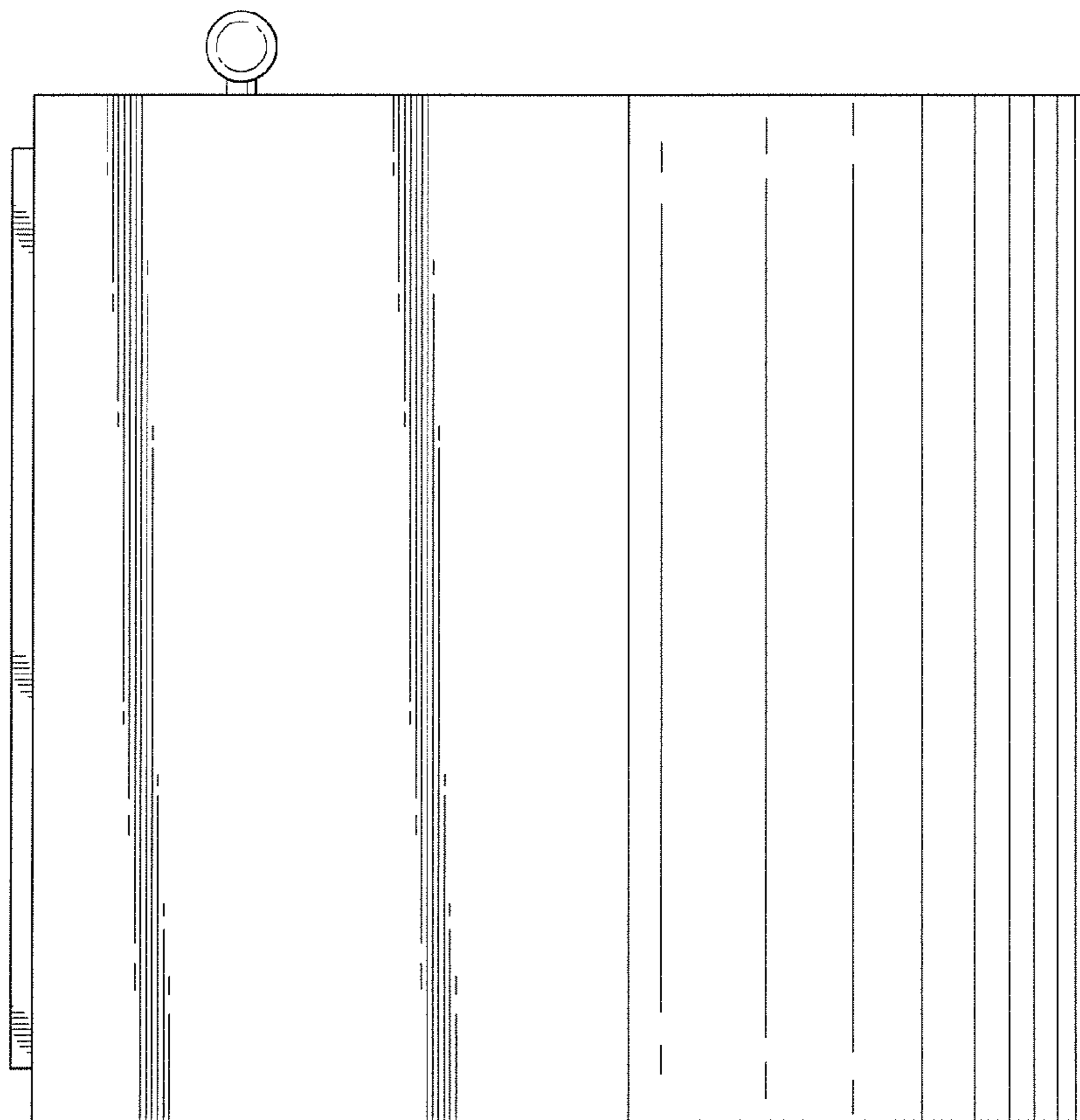


FIG. 5

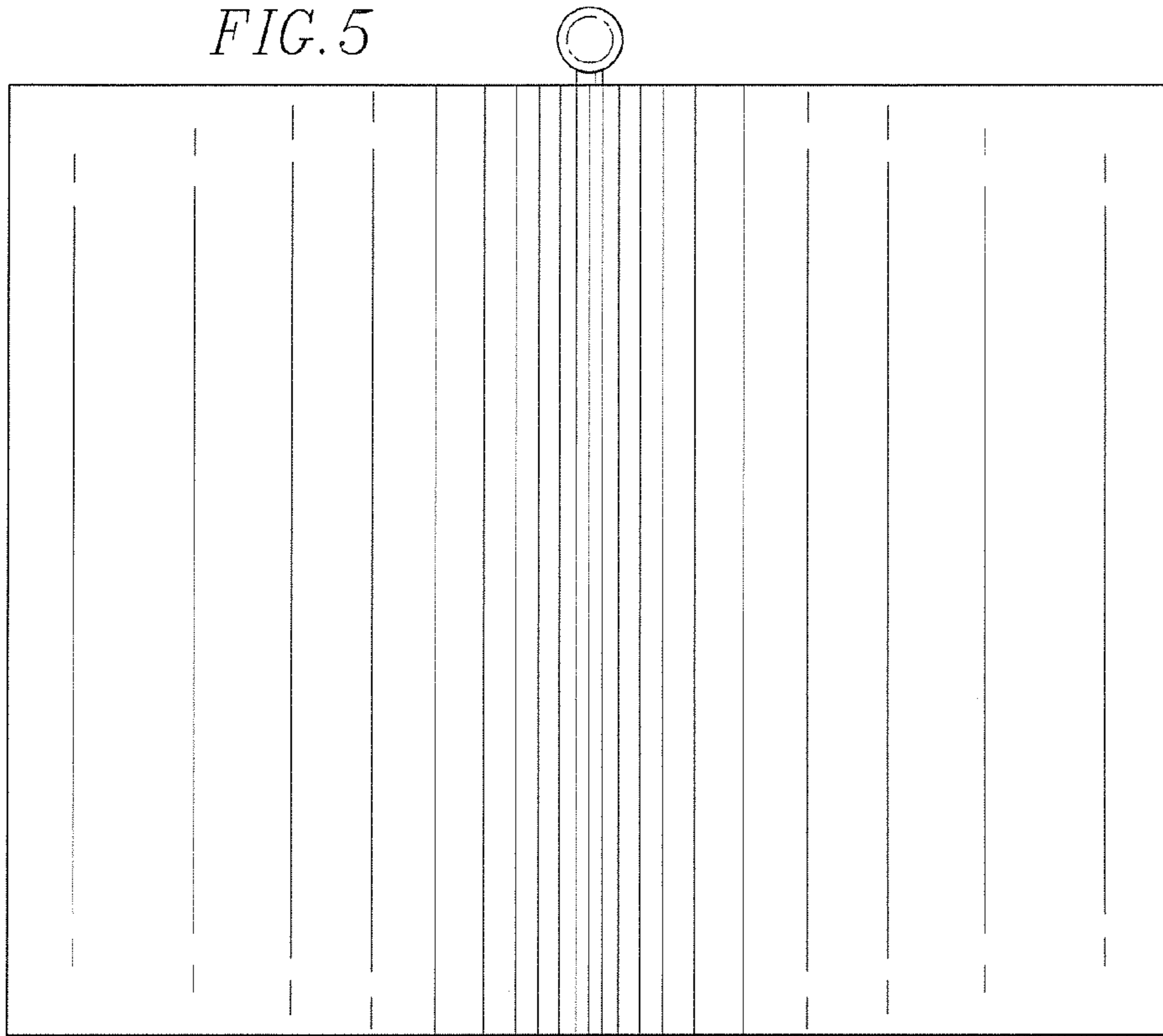


FIG. 6

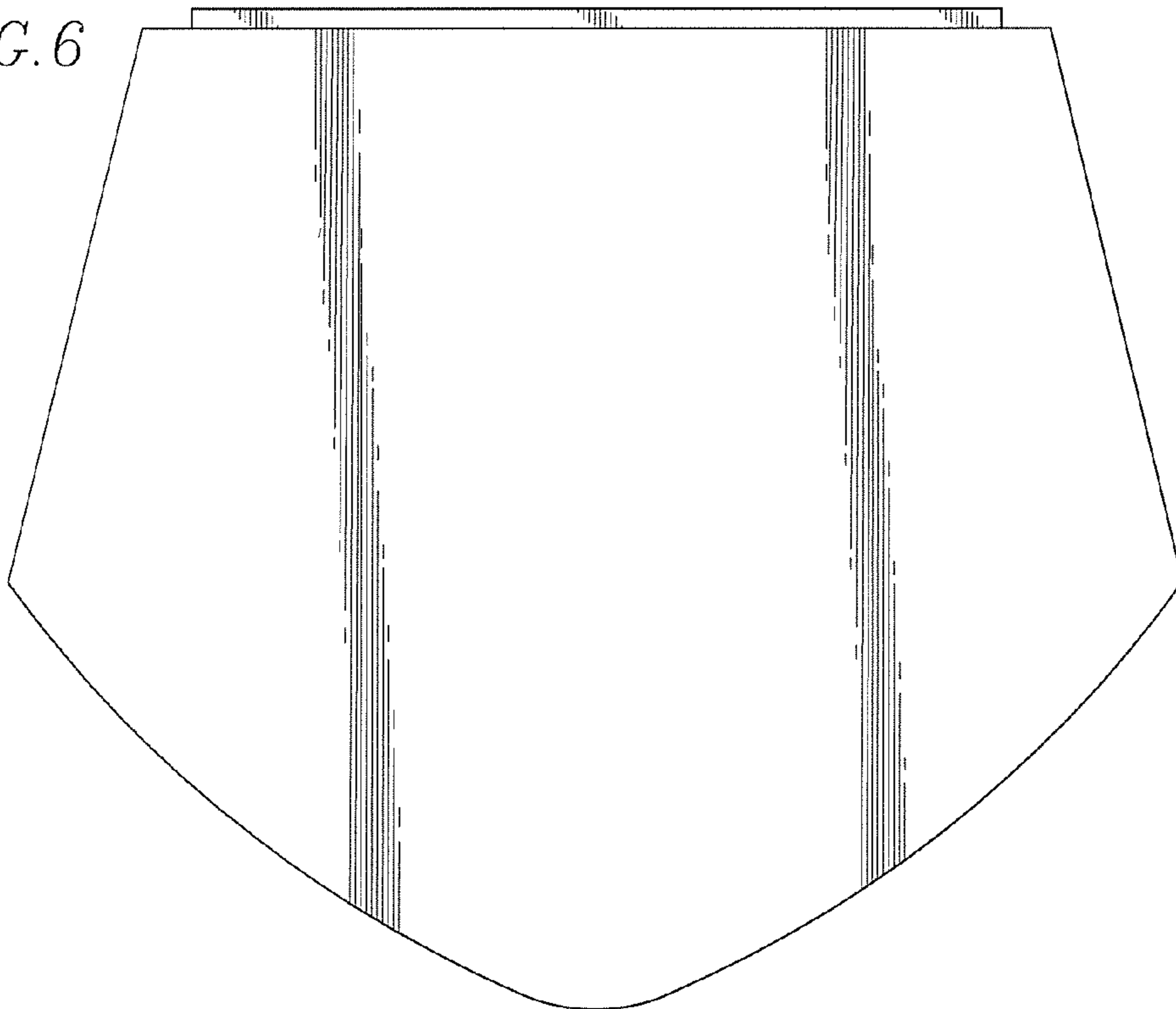


FIG. 7

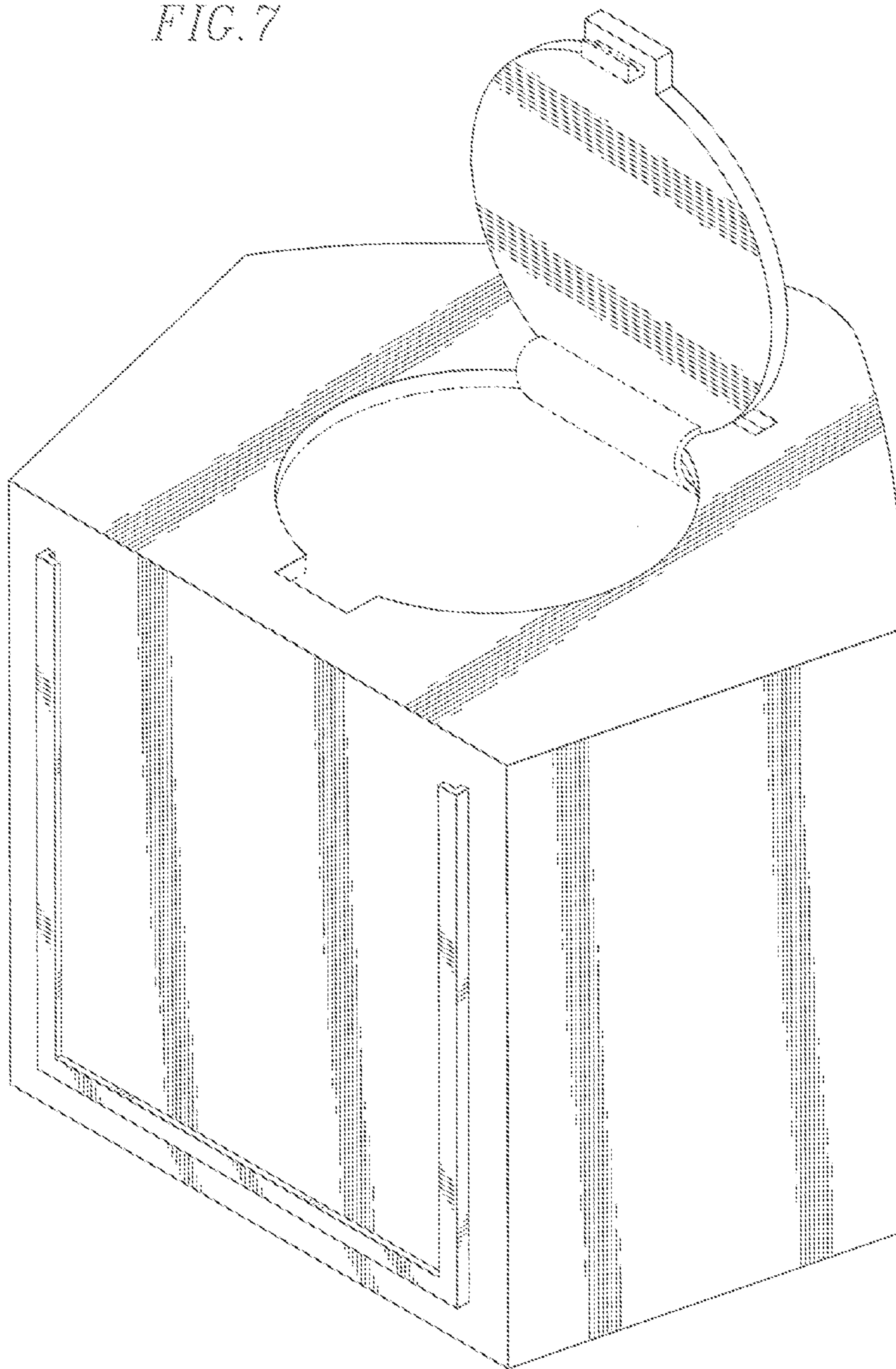


FIG. 8

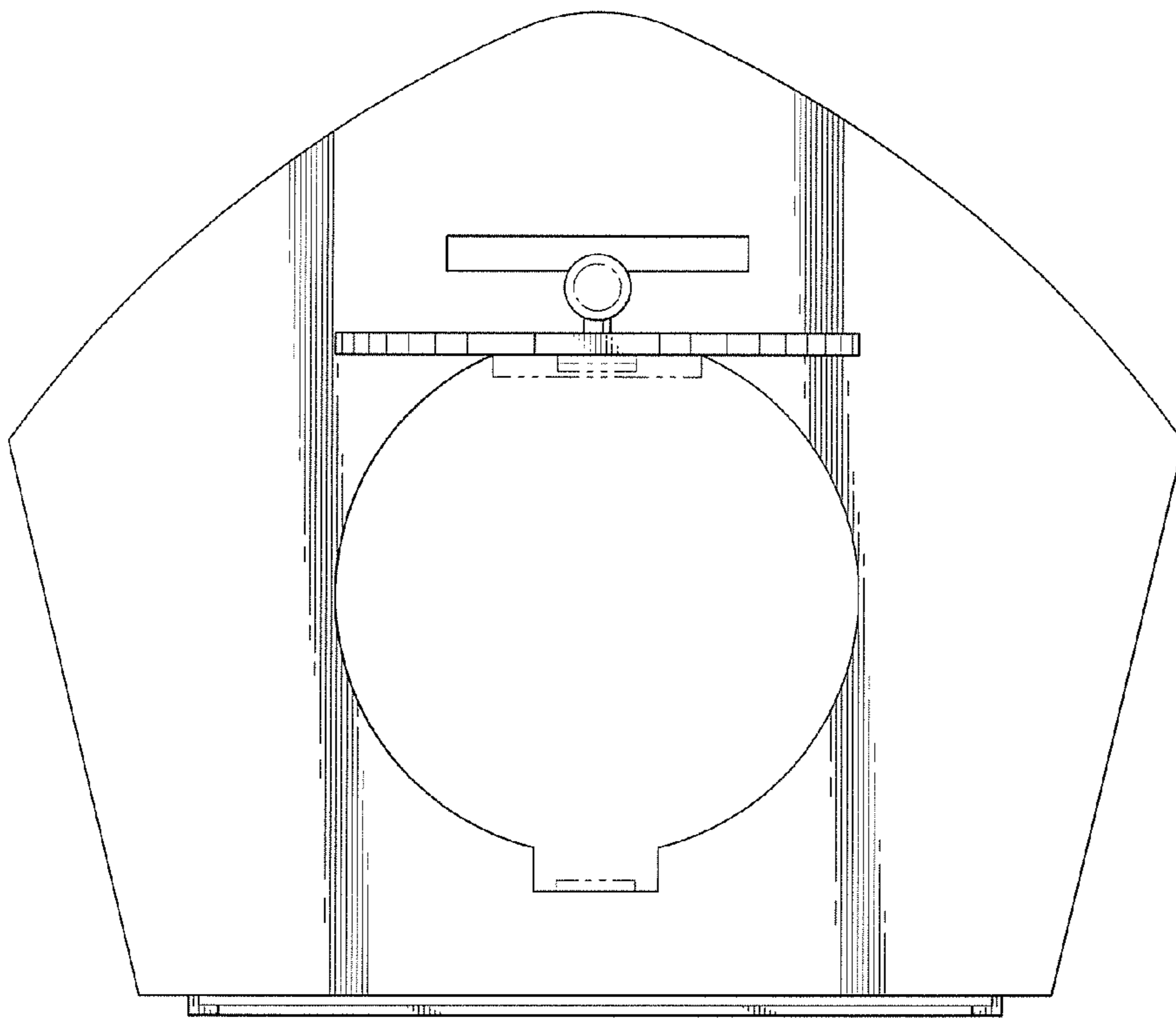


FIG. 9

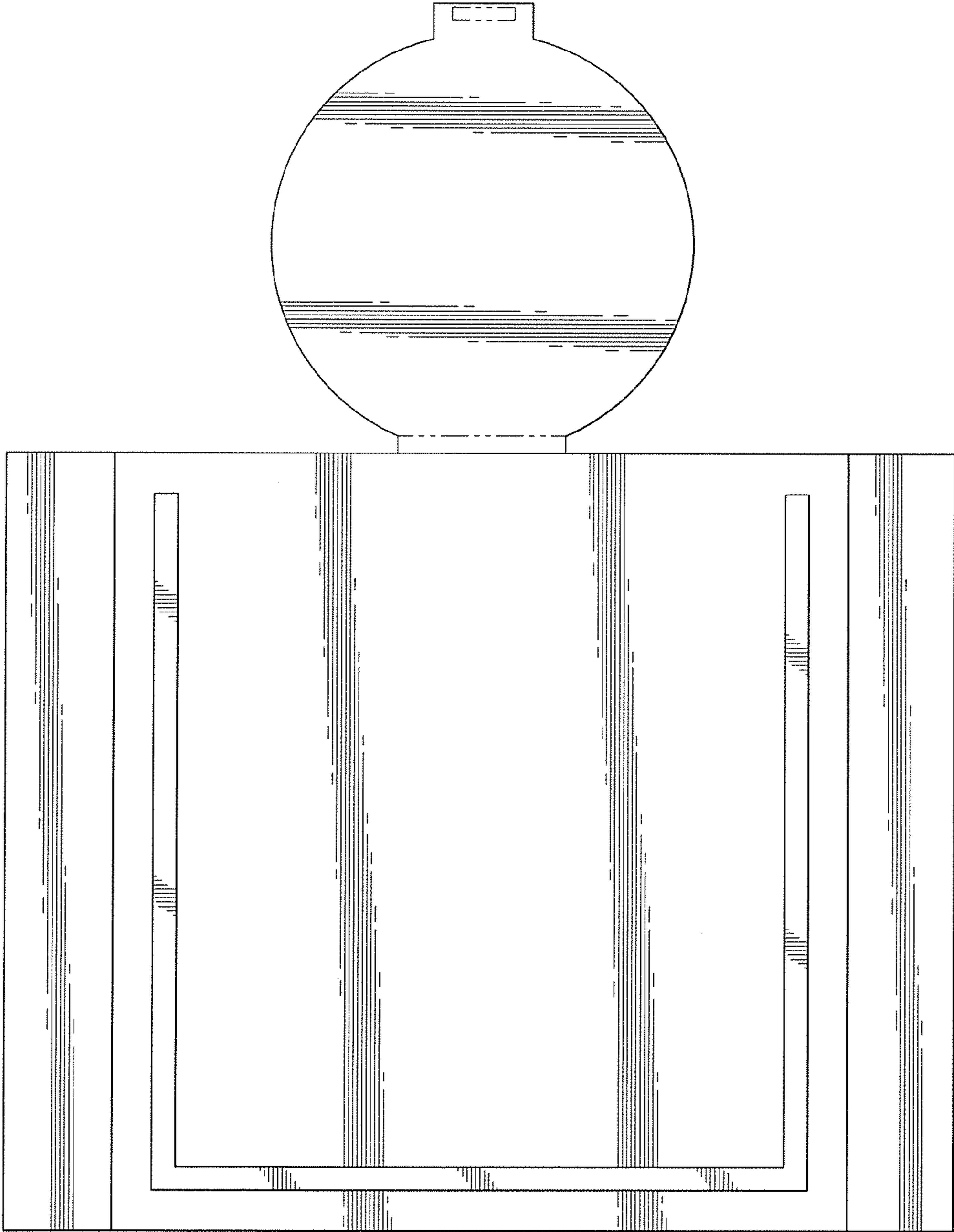


FIG. 10

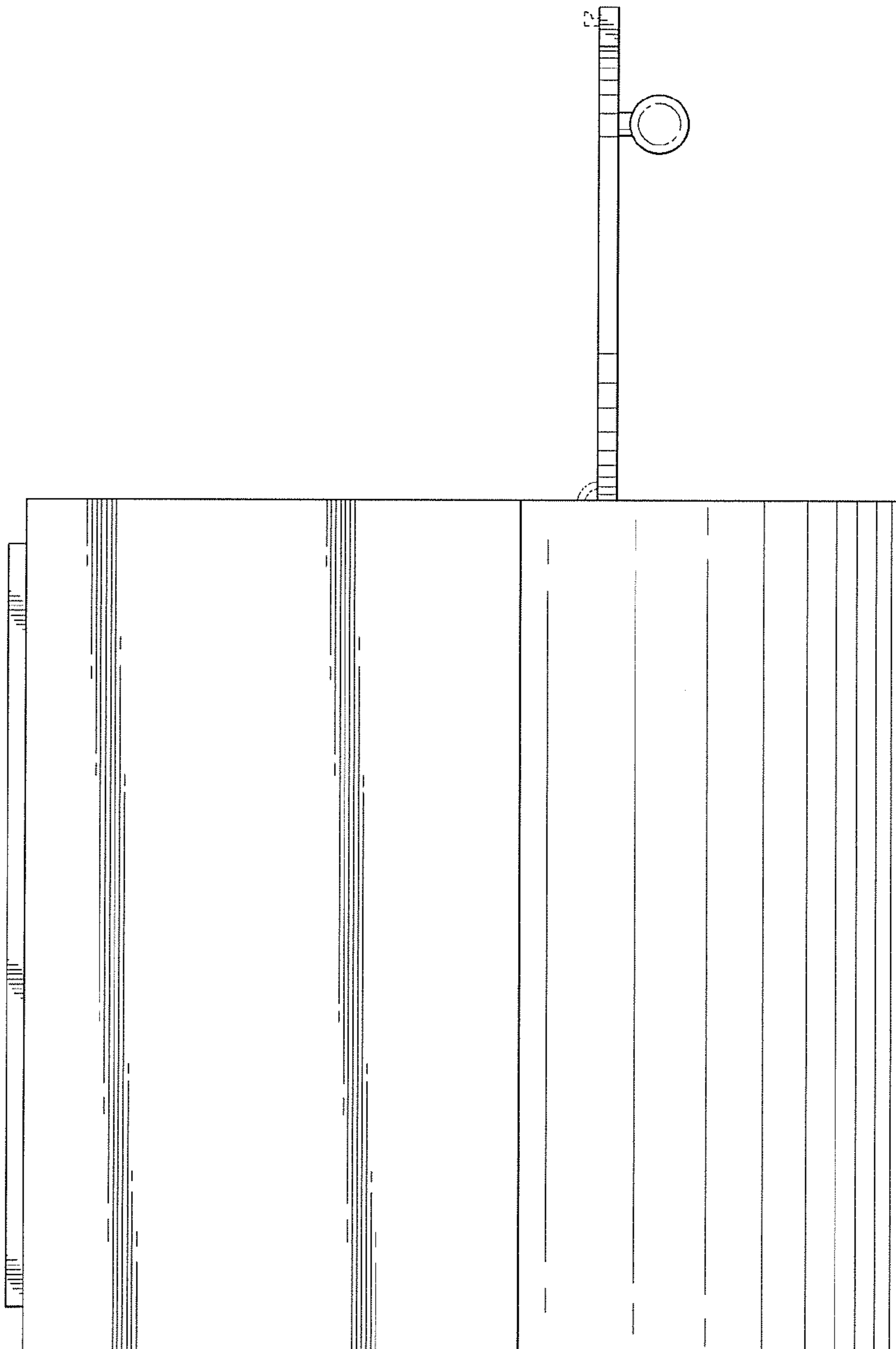
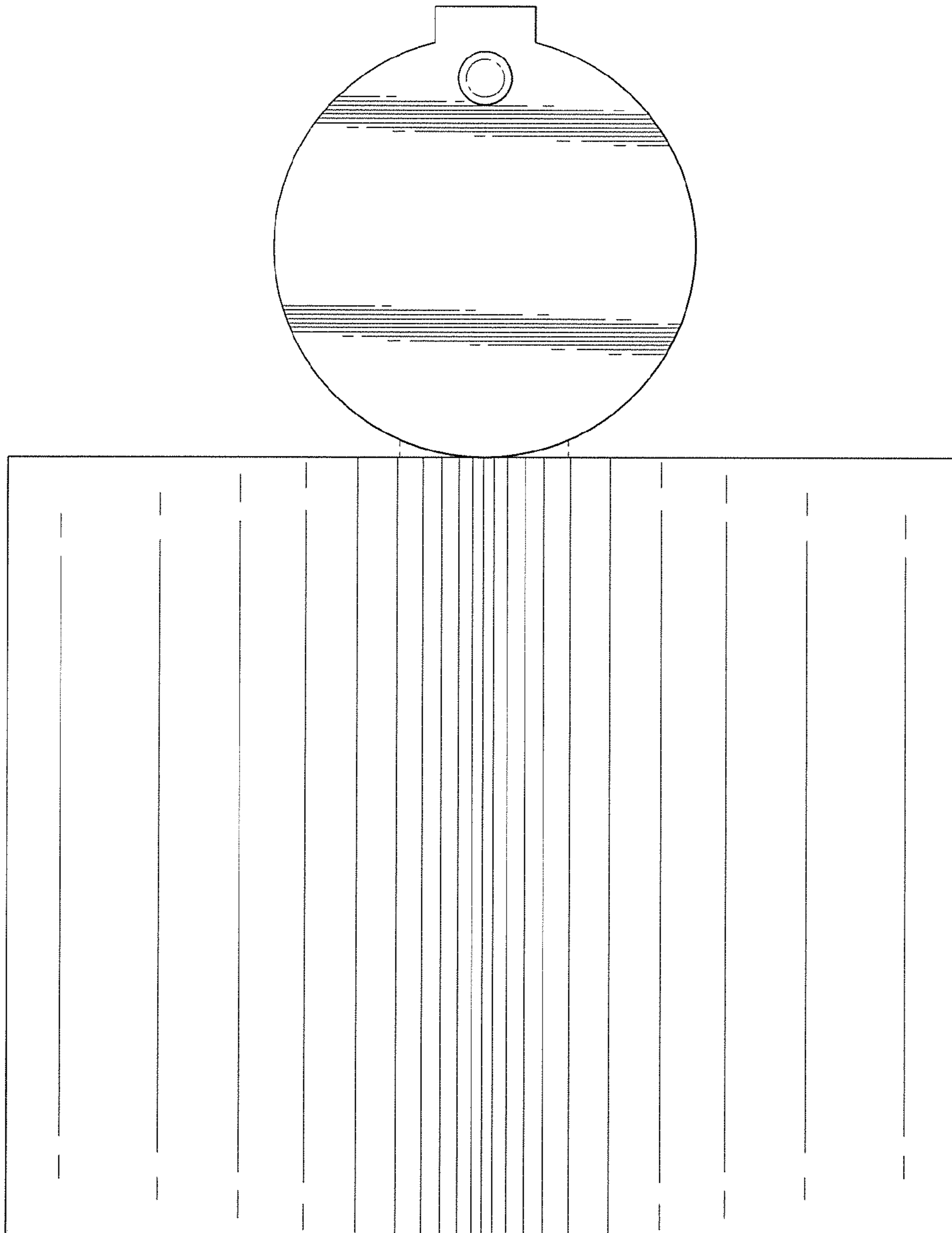


FIG. 11



UNITED STATES PATENT AND TRADEMARK OFFICE
CERTIFICATE OF CORRECTION

PATENT NO. : D691,344 S
APPLICATION NO. : 29/419478
DATED : October 8, 2013
INVENTOR(S) : Marshall Hacker

Page 1 of 1

It is certified that error appears in the above-identified patent and that said Letters Patent is hereby corrected as shown below:

On the Title Page

(74) Attorney, Agent, or Firm

Insert

-- Christie, Parker & Hale, LLP --

Signed and Sealed this
Twenty-eighth Day of October, 2014



Michelle K. Lee
Deputy Director of the United States Patent and Trademark Office