

US00D691343S

(12) **United States Design Patent**
Levoir et al.

(10) **Patent No.:** **US D691,343 S**
(45) **Date of Patent:** **** Oct. 8, 2013**

- (54) **PALLET**
- (75) Inventors: **Keith Levoir**, Calgary (CA); **Shane Levoir**, Calgary (CA)
- (73) Assignee: **S. Levoir Holdings Ltd** (CA)
- (**) Term: **14 Years**
- (21) Appl. No.: **29/411,223**
- (22) Filed: **Jan. 18, 2012**
- (51) **LOC (9) Cl.** **09-08**
- (52) **U.S. Cl.**
USPC **D34/38**
- (58) **Field of Classification Search**
USPC D34/38; 108/51.11, 52.1, 53.1, 53.3,
108/54.1, 55.3, 56.1, 57.1, 901, 902
See application file for complete search history.

3,277,849	A	*	10/1966	Talbot	108/53.3
3,294,040	A	*	12/1966	Gregoire	108/53.3
D217,860	S	*	6/1970	Bartee	D34/38
D217,861	S	*	6/1970	Bartee	D34/38
4,029,023	A	*	6/1977	Rosewicz et al.	108/57.28
4,879,956	A	*	11/1989	Shuert	108/53.3
D347,510	S	*	5/1994	Riddick	D34/38
D404,179	S	*	1/1999	Apps et al.	D34/38
5,950,545	A	*	9/1999	Shuert	108/53.3
D521,208	S	*	5/2006	France	D34/38
D650,546	S	*	12/2011	MacDonald et al.	D34/38

* cited by examiner

Primary Examiner — Cynthia Ramirez
(74) *Attorney, Agent, or Firm* — Miller Thomson LLP

(57) **CLAIM**
The ornamental design for pallet, as shown and described.

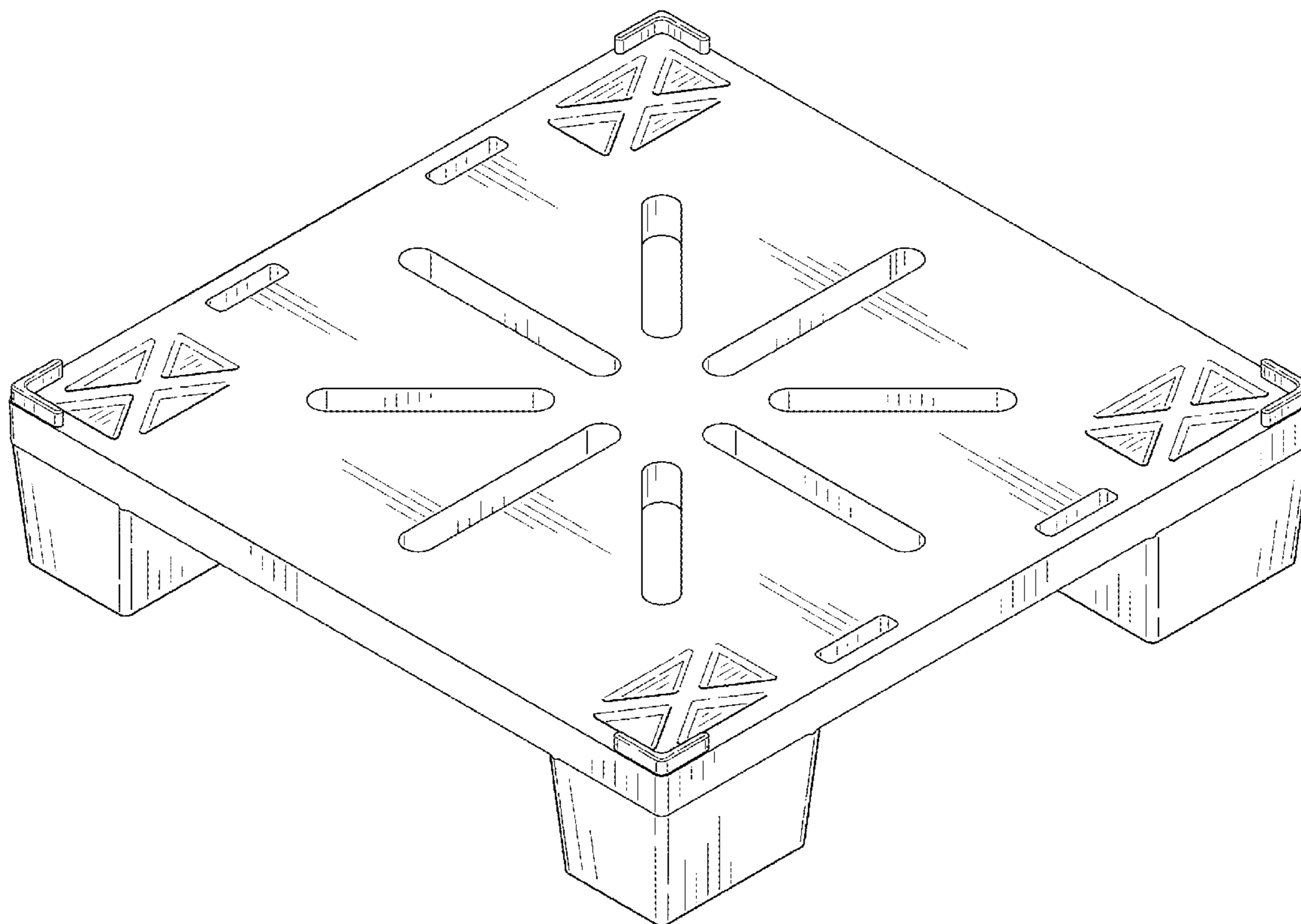
DESCRIPTION

FIG. 1 illustrates a perspective view of a pallet.
FIG. 2 illustrates a front view thereof.
FIG. 3 illustrates a rear view thereof.
FIG. 4 illustrates a left side view thereof.
FIG. 5 illustrates a right side view thereof; and,
FIG. 6 illustrates a top view thereof.

1 Claim, 3 Drawing Sheets

- (56) **References Cited**

U.S. PATENT DOCUMENTS
2,544,657 A * 3/1951 Cushman 108/53.3
2,699,912 A * 1/1955 Cushman 108/56.1



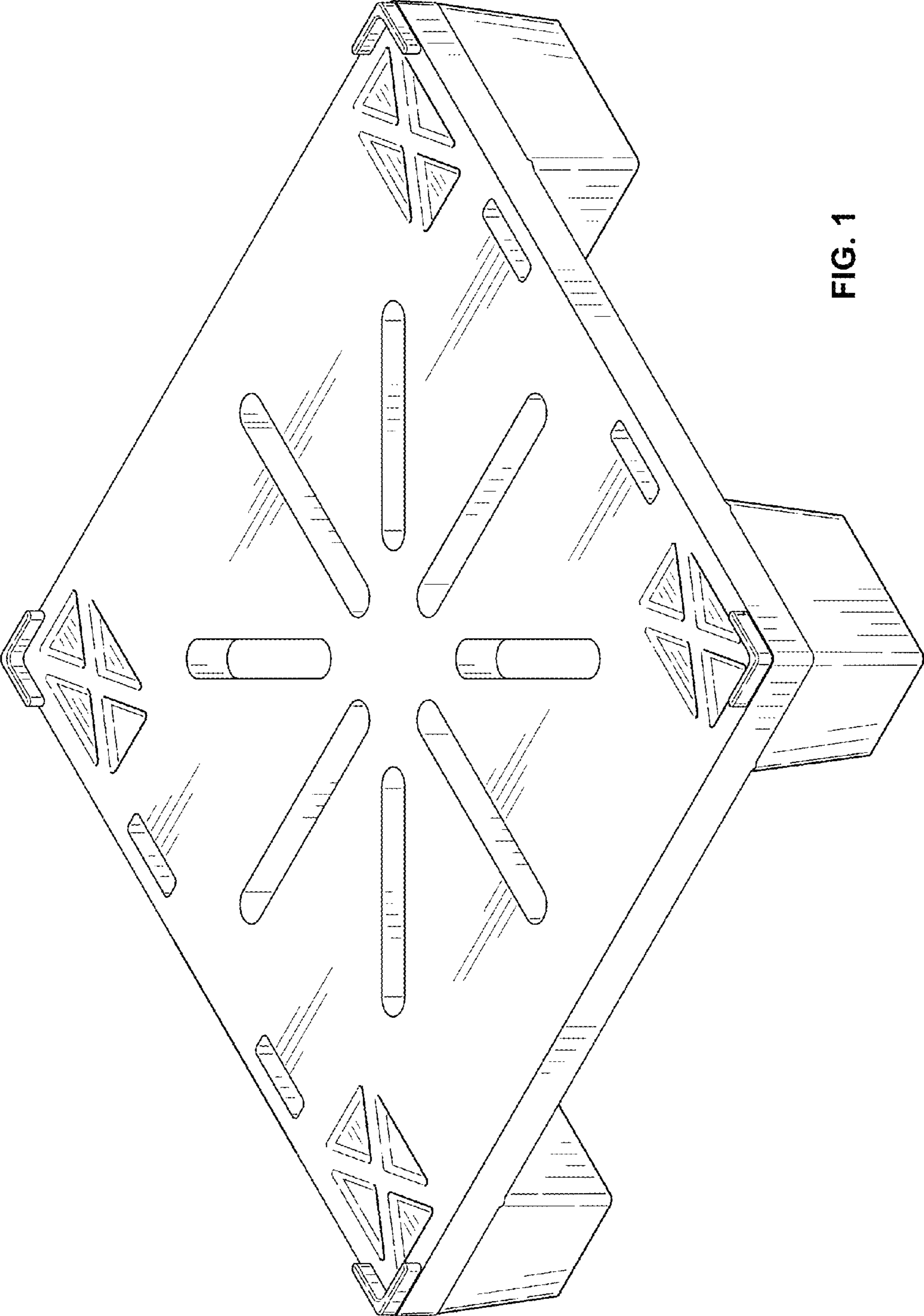


FIG. 1

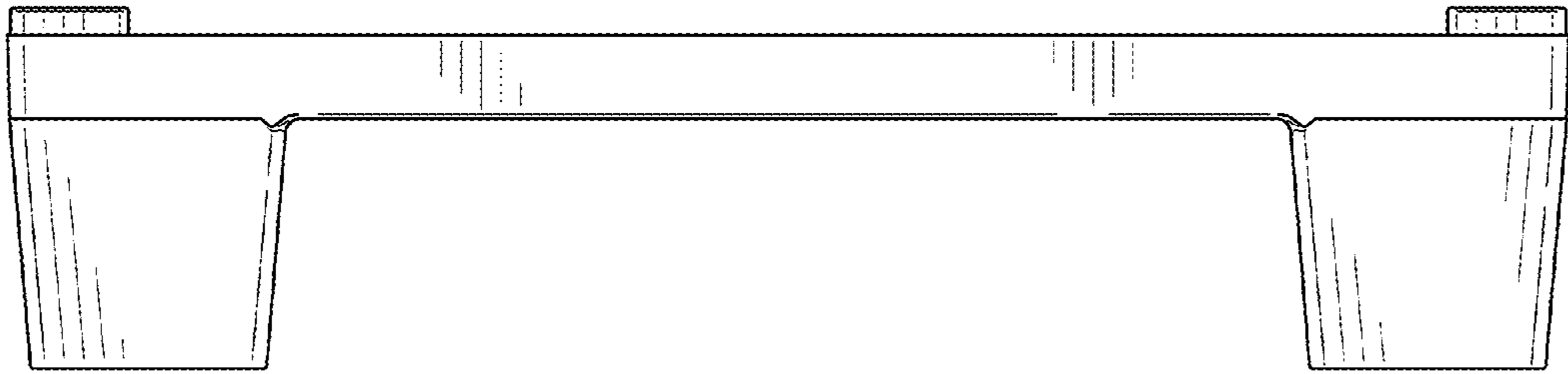


FIG. 2

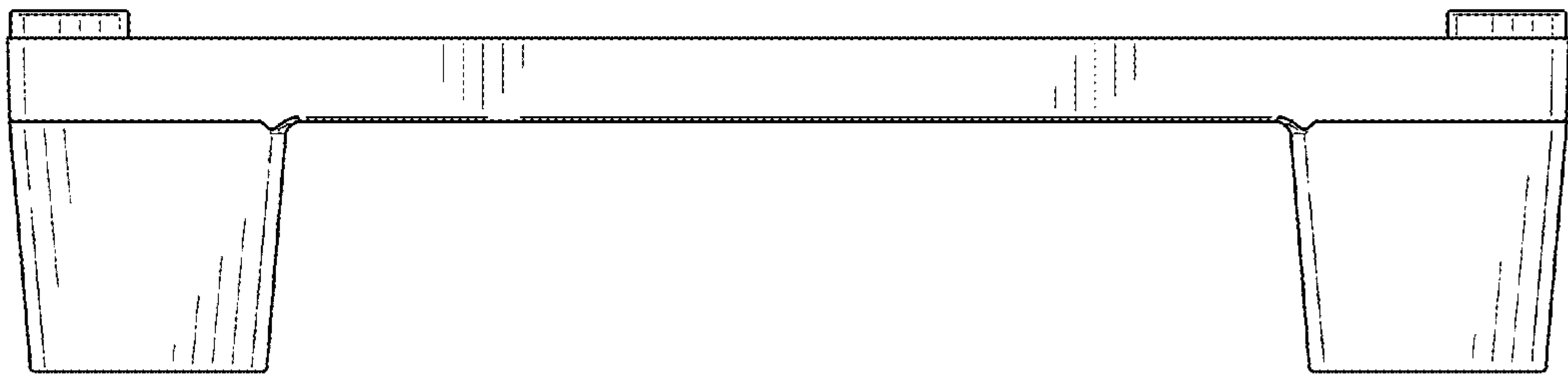


FIG. 3

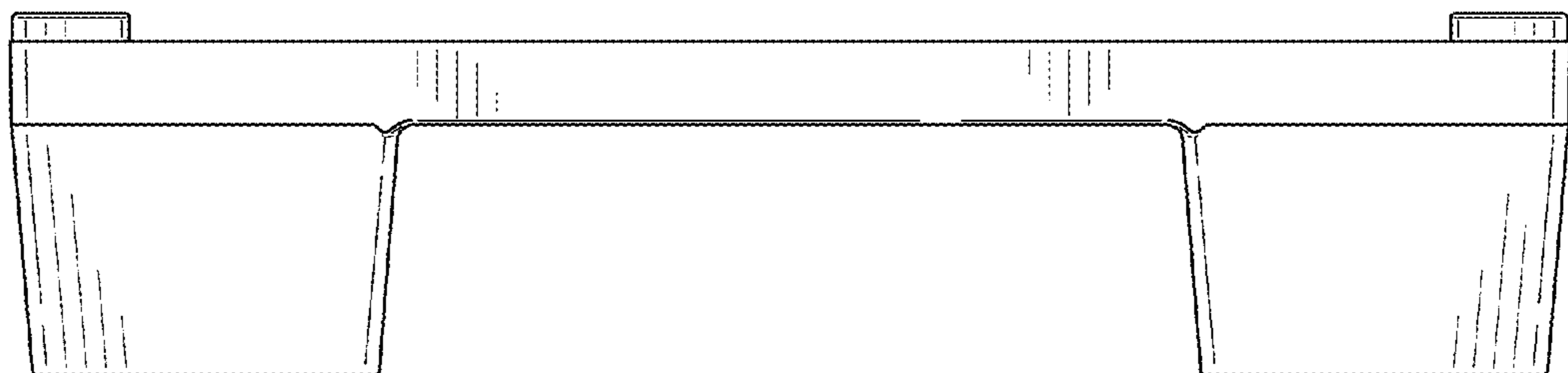


FIG. 4

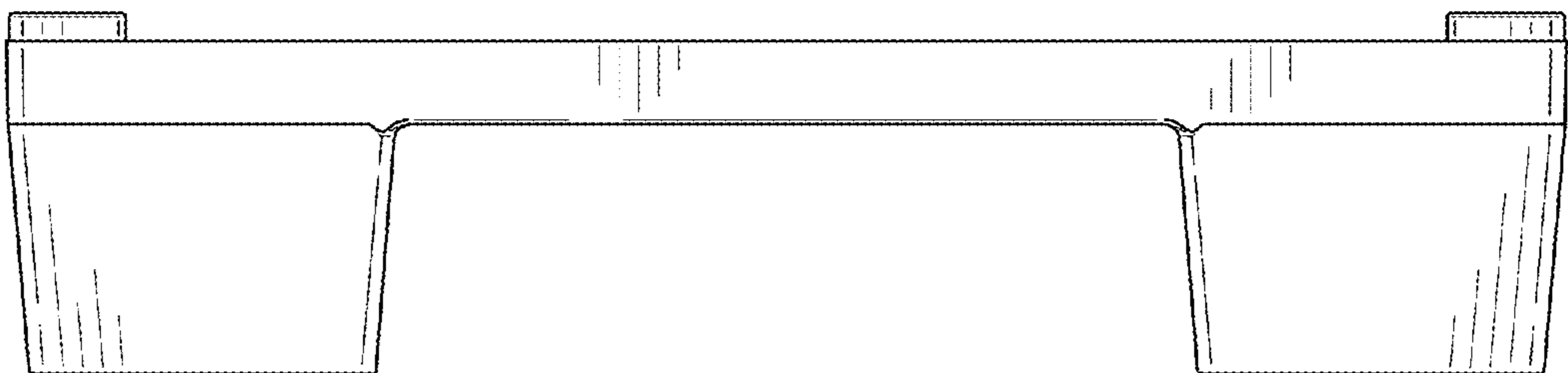


FIG. 5

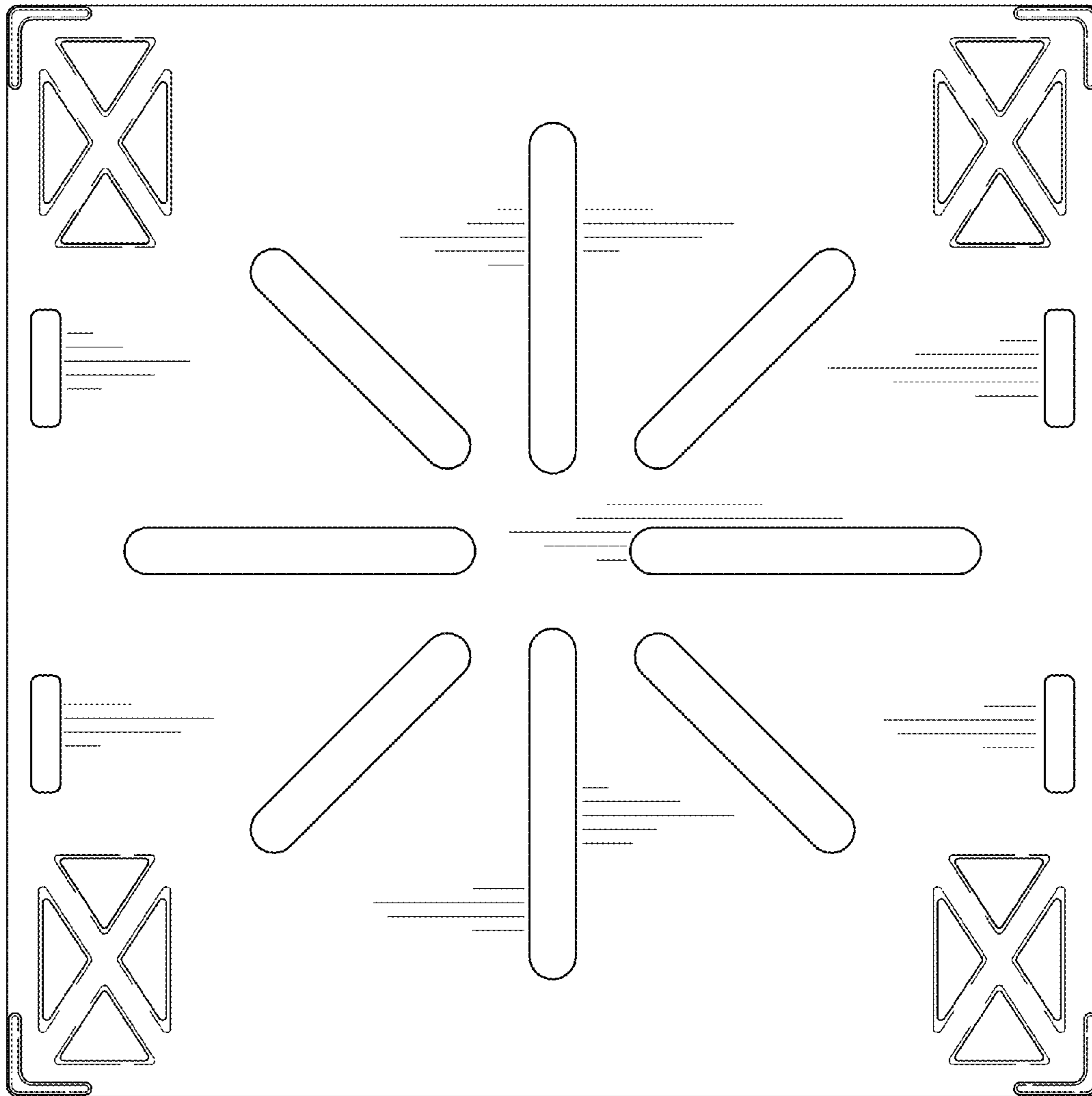


FIG. 6