



US00D691342S

(12) **United States Design Patent**  
**Schuller et al.**

(10) **Patent No.:** **US D691,342 S**

(45) **Date of Patent:** **\*\* Oct. 8, 2013**

(54) **HEAD FOR A CLEANING IMPLEMENT**

(75) Inventors: **David William Schuller**, Lebanon, OH (US); **Igor Ivanovich Zemskov**, Dublin, OH (US); **Rainer Bernhard Teufel**, Worthington, OH (US); **Richard Lee Lane**, Columbus, OH (US); **Sun-Jan Alan Huang**, Pittsburgh, PA (US)

(73) Assignee: **The Procter & Gamble Company**, Cincinnati, OH (US)

(\*\*) Term: **14 Years**

(21) Appl. No.: **29/424,783**

(22) Filed: **Jun. 15, 2012**

(51) **LOC (9) Cl.** ..... **04-01**

(52) **U.S. Cl.**  
USPC ..... **D32/50; D32/51**

(58) **Field of Classification Search**  
USPC ..... D32/40-45, 50-52; 15/118, 244.1, 15/244.2, 244.3, 244.4, 116.1, 116.2, 119.1, 15/119.2, 104.9, 228, 229.2, 229.4; 401/135-140

See application file for complete search history.

(56) **References Cited**

**U.S. PATENT DOCUMENTS**

D490,952 S \* 6/2004 Ajluni ..... D32/50  
D501,283 S \* 1/2005 Carr et al. .... D32/38

D545,019 S \* 6/2007 Harper et al. .... D32/50  
D585,612 S \* 1/2009 Soller et al. .... D32/50  
D614,371 S \* 4/2010 Blom ..... D32/51  
D648,910 S \* 11/2011 Raven et al. .... D32/39  
D653,826 S \* 2/2012 Lee ..... D32/50  
2004/0177461 A1 \* 9/2004 Ajluni ..... 15/121  
2005/0022338 A1 \* 2/2005 Muhlenkamp ..... 15/414  
2006/0016037 A1 \* 1/2006 Flora et al. .... 15/228

\* cited by examiner

*Primary Examiner* — John Windmuller

(74) *Attorney, Agent, or Firm* — Larry L. Huston; Steven W. Miller

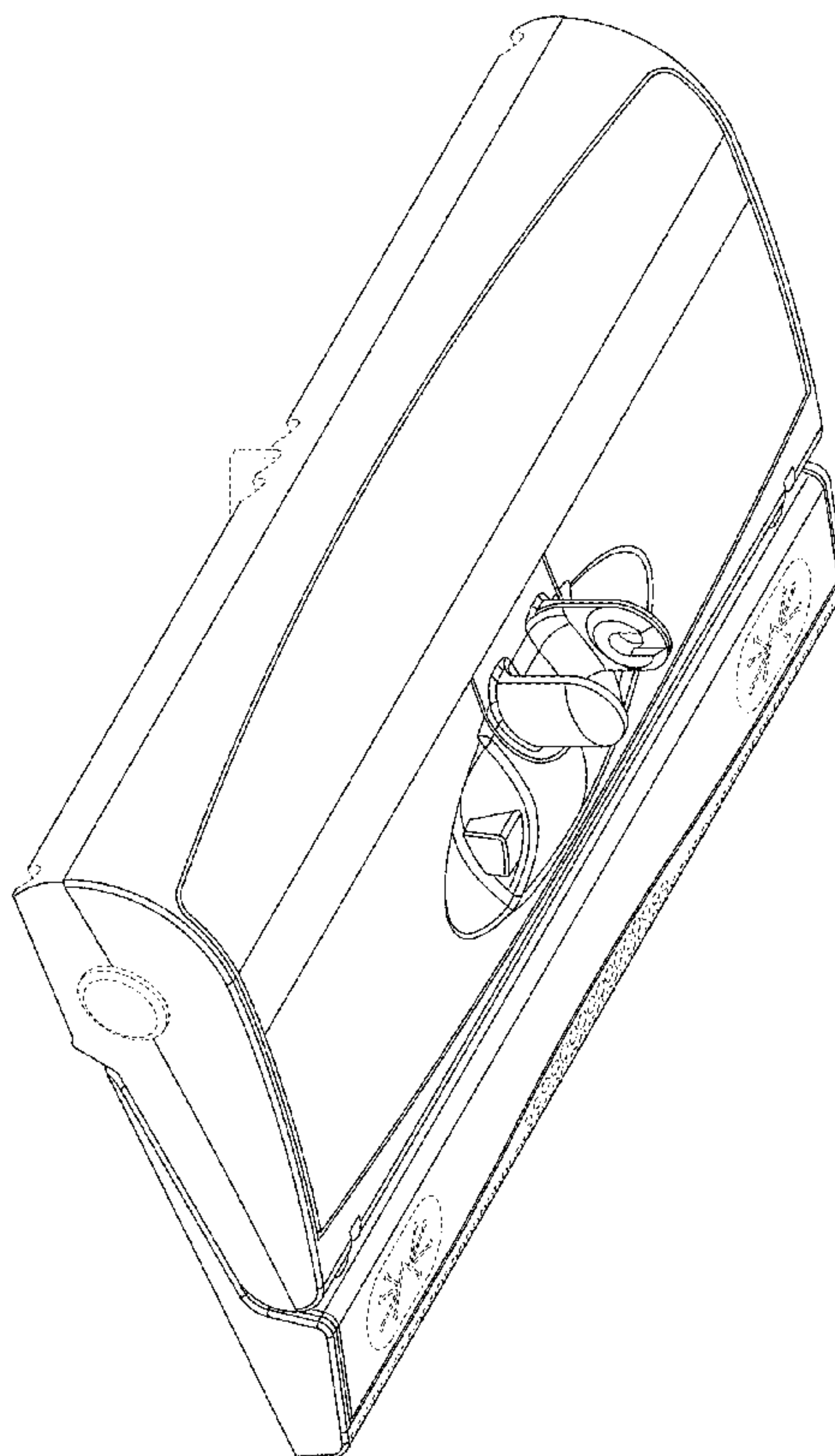
(57) **CLAIM**

The ornamental design for a head for a cleaning implement, as shown and described.

**DESCRIPTION**

FIG. 1 is a perspective view of a head for a cleaning implement;  
FIG. 2 is a top view of the head for a cleaning implement;  
FIG. 3 is a bottom side view of head for a cleaning implement;  
FIG. 4 is a front view of the head for a cleaning implement;  
FIG. 5 is a rear view of the head for a cleaning implement;  
FIG. 6 is a right side view of the head for a cleaning implement; and,  
FIG. 7 is a left side view of the head for a cleaning implement.  
The broken lines shown in the drawings are for illustrative purposes only and form no part of the claimed design.

**1 Claim, 7 Drawing Sheets**



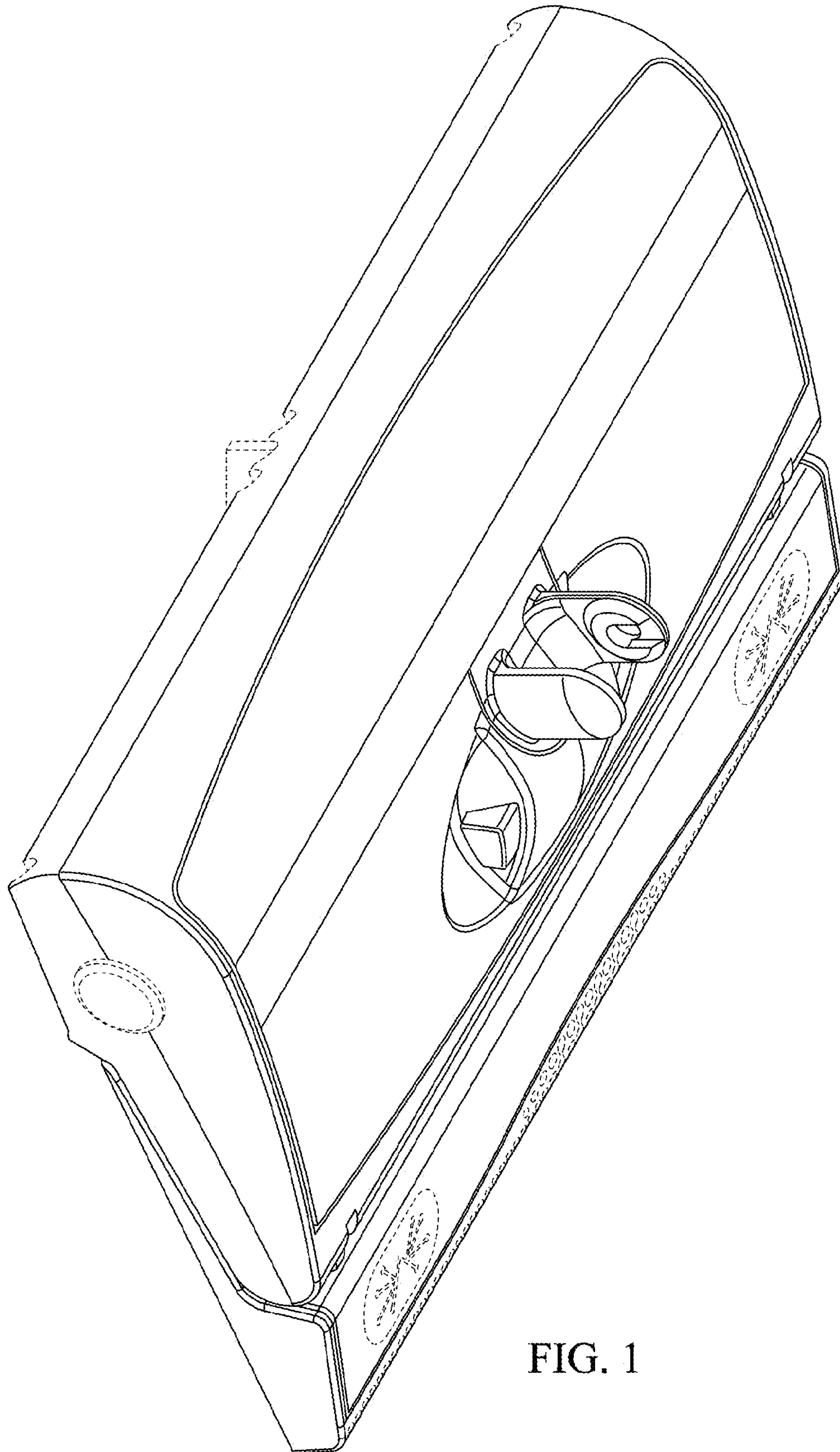


FIG. 1

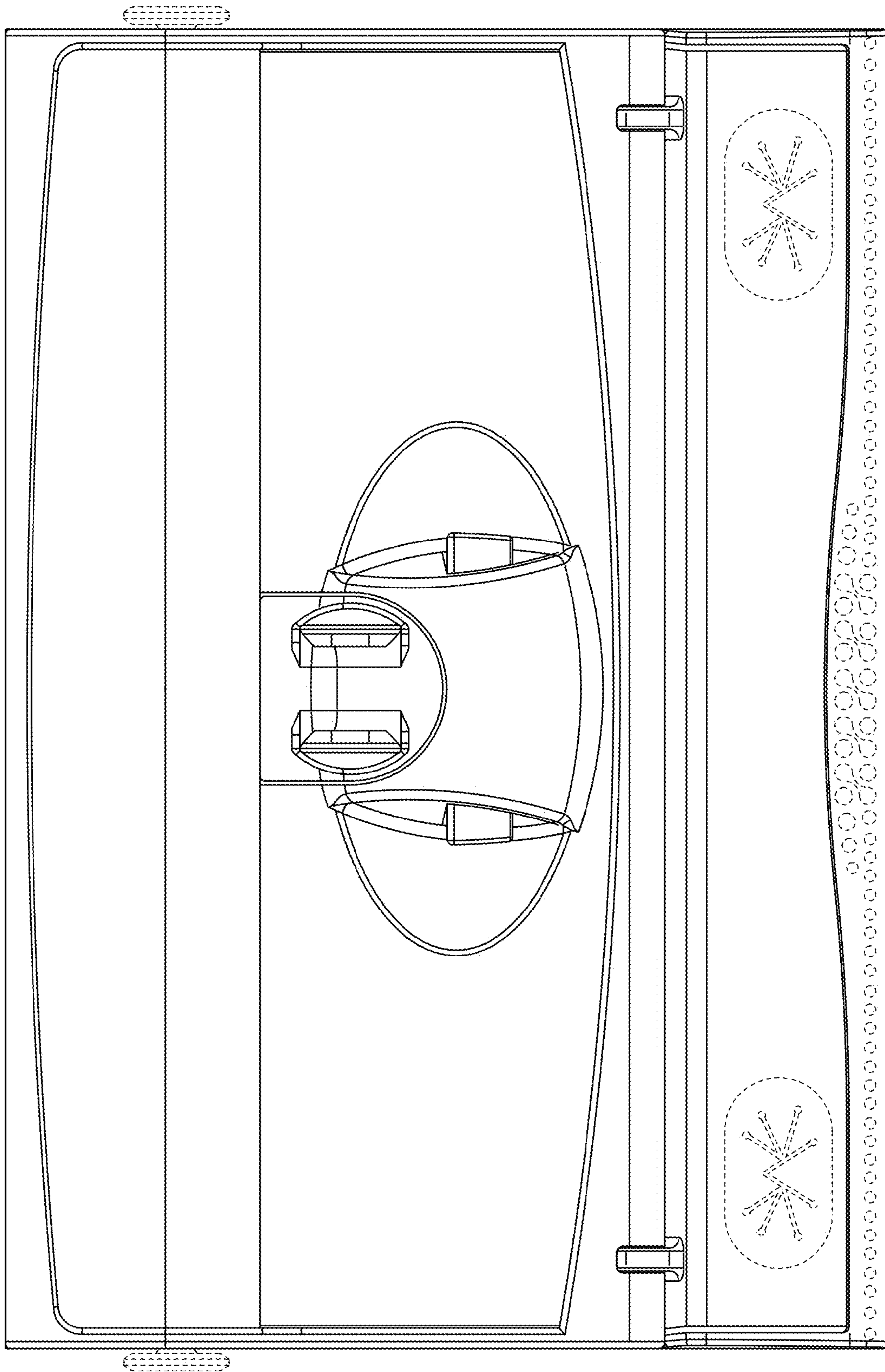


FIG. 2



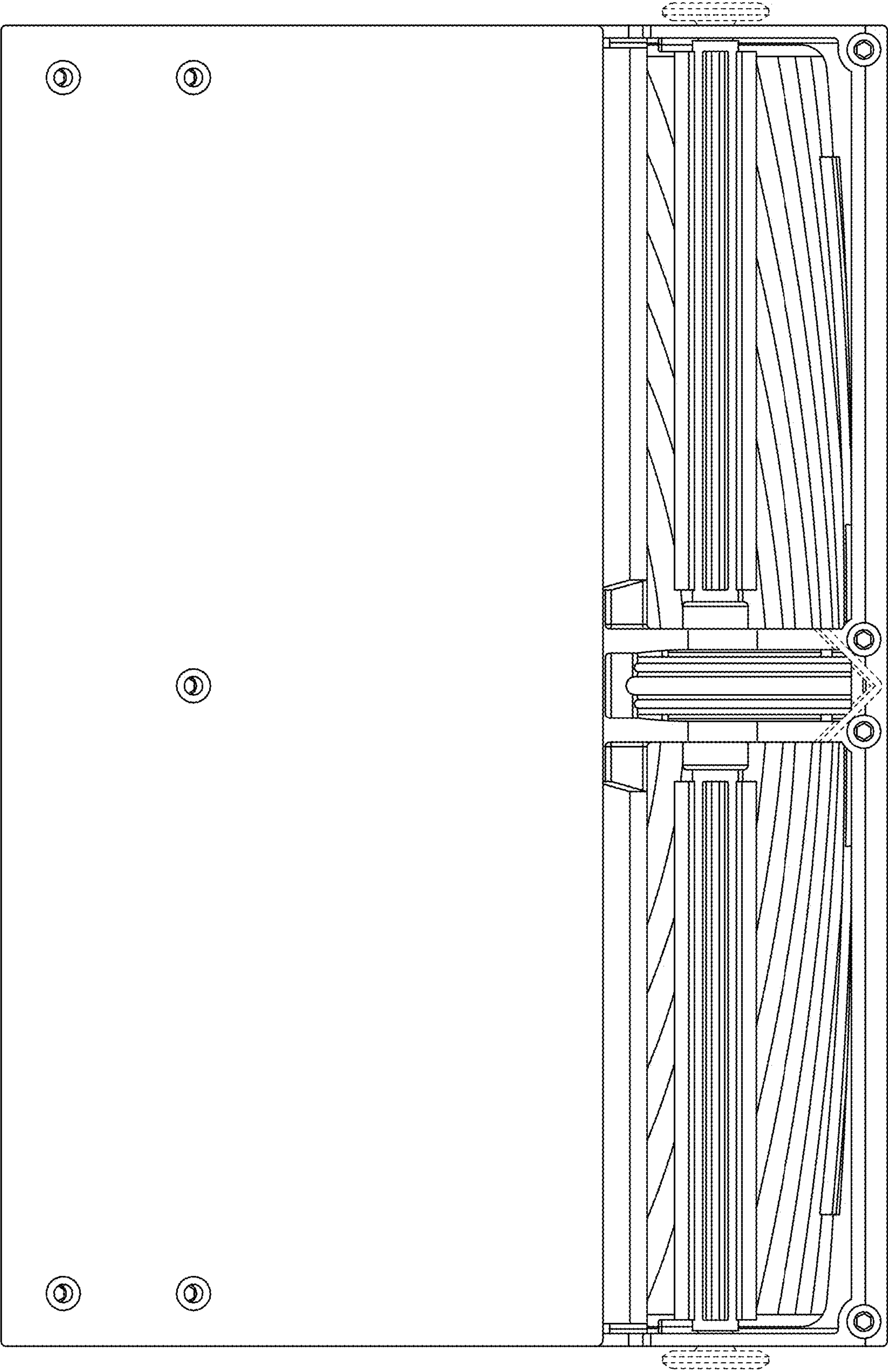


FIG. 3

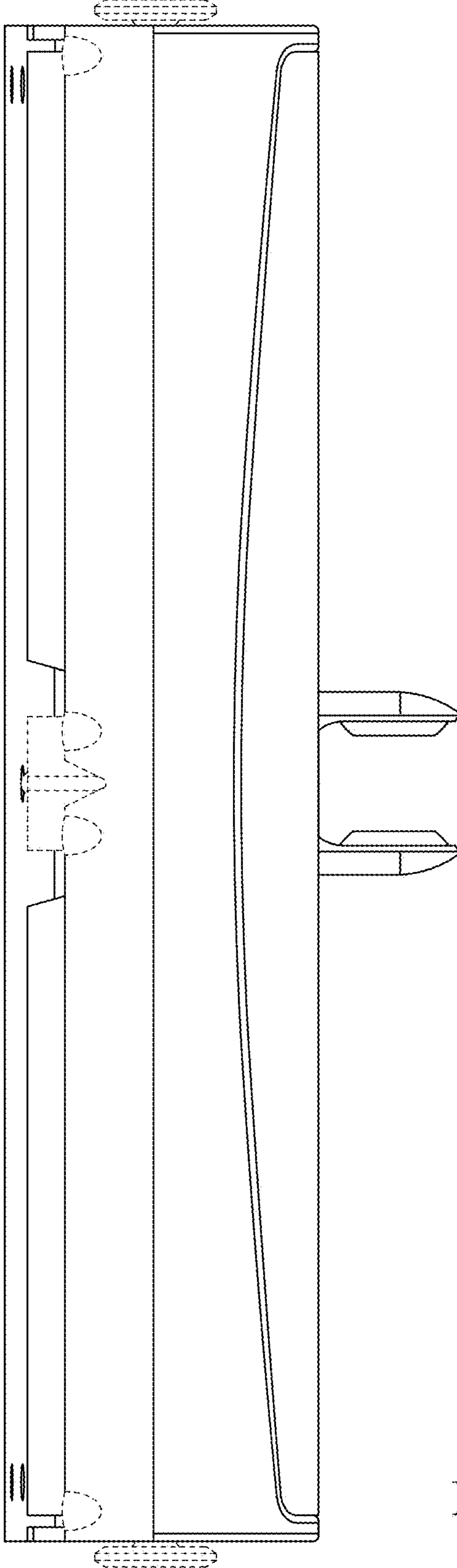


FIG. 4

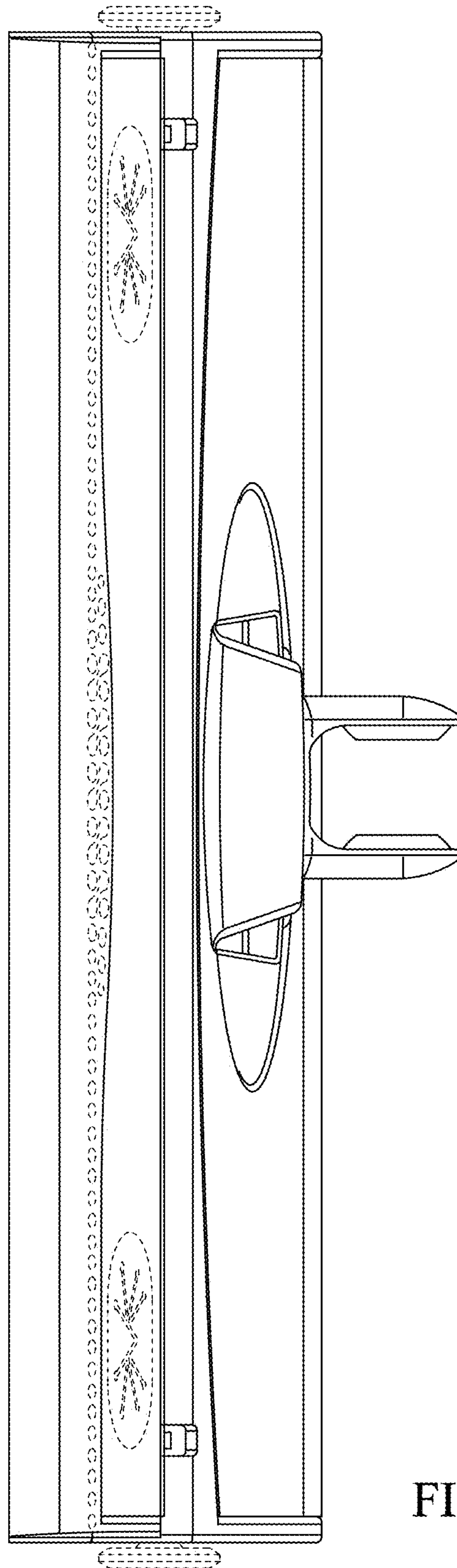


FIG. 5

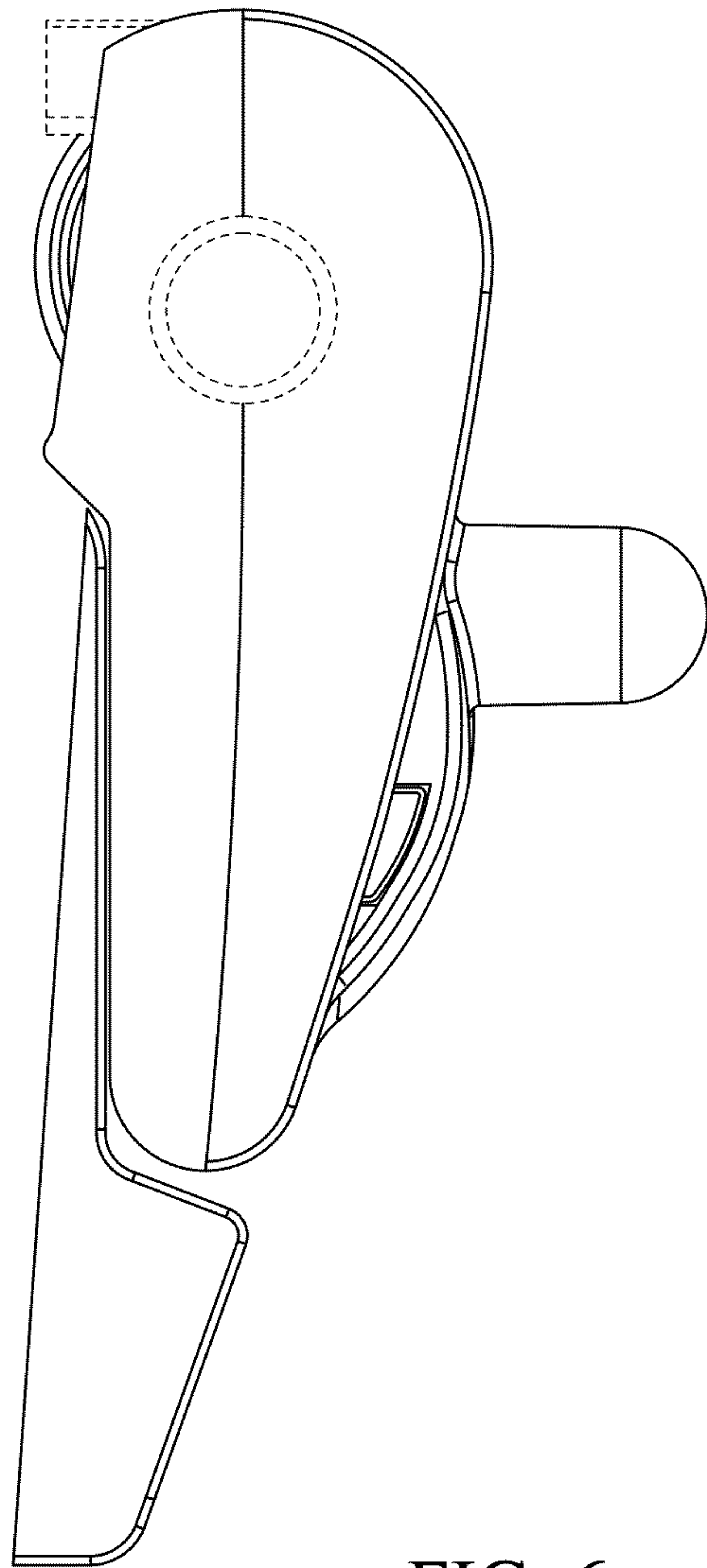


FIG. 6

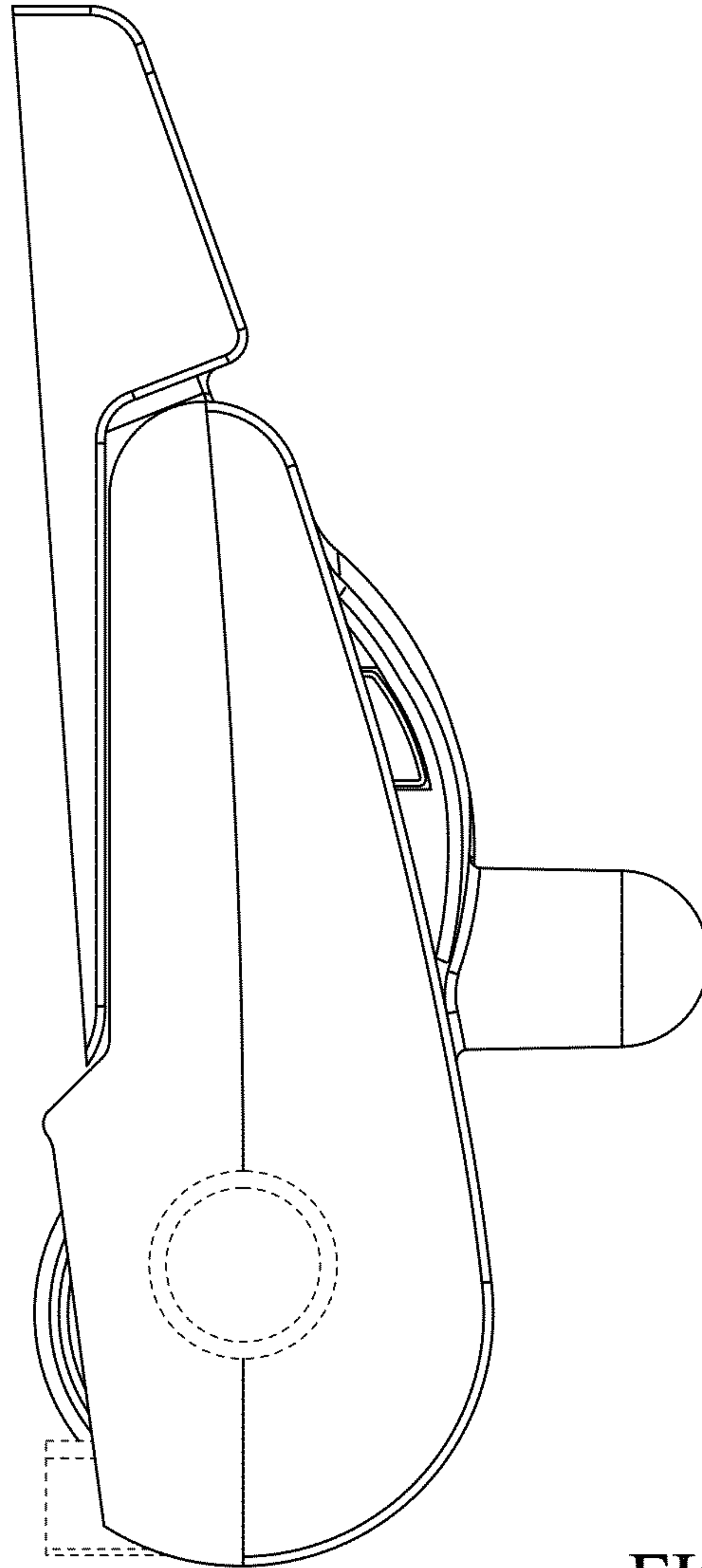


FIG. 7