

US00D691340S

(12) **United States Design Patent**
Bruneel

(10) **Patent No.:** **US D691,340 S**

(45) **Date of Patent:** **** Oct. 8, 2013**

(54) **FLEXIBLE VACUUM HEAD**

(76) Inventor: **Jean Julien Bruneel**, Kowloon (HK)

(**) Term: **14 Years**

(21) Appl. No.: **29/412,651**

(22) Filed: **Feb. 6, 2012**

(30) **Foreign Application Priority Data**

Aug. 11, 2011 (EM) 001903436-0002

(51) **LOC (9) Cl.** **15-05**

(52) **U.S. Cl.**
USPC **D32/32**

(58) **Field of Classification Search**
USPC D32/21, 22, 31-34, 17, 42, 45, 50;
15/1.7, 415.1, 416-422.1, 414, 322, 353,
15/400, 327.1, 319, 366, 383, 179, 182, 41.1,
15/320, 403
See application file for complete search history.

(56) **References Cited**

U.S. PATENT DOCUMENTS

3,780,398	A *	12/1973	Candor	15/415.1
4,336,628	A *	6/1982	Bradshaw et al.	15/415.1
4,498,206	A *	2/1985	Braukmann	15/1.7
D358,238	S *	5/1995	Barnett	D32/50
D402,776	S *	12/1998	Carlson	D32/50
5,987,700	A *	11/1999	Edlund	15/420
D487,947	S *	3/2004	Pecci et al.	D32/32
D488,600	S *	4/2004	Pecci et al.	D32/32
D490,950	S *	6/2004	Pecci et al.	D32/32
7,137,169	B2 *	11/2006	Murphy et al.	15/320
D563,068	S *	2/2008	Jiang et al.	D32/50

D574,565	S *	8/2008	Harper et al.	D32/50
D612,115	S *	3/2010	Nicholas	D32/32
D612,116	S *	3/2010	Nicholas	D32/33
D617,066	S *	6/2010	Koenig et al.	D32/50
D629,982	S *	12/2010	Rossano et al.	D32/33
D645,217	S *	9/2011	Rossano et al.	D32/33
D645,218	S *	9/2011	Rossano et al.	D32/33
D654,237	S *	2/2012	Vrdoljak	D32/32
D656,283	S *	3/2012	Lavy	D32/45
D657,928	S *	4/2012	Byrne	D32/50
D673,337	S *	12/2012	Chow	D32/45
2006/0265820	A1 *	11/2006	Erlich et al.	15/1.7
2007/0062000	A1 *	3/2007	Murphy et al.	15/403
2007/0169289	A1 *	7/2007	Hanvey et al.	15/1.7

* cited by examiner

Primary Examiner — Ruth McInroy

(74) *Attorney, Agent, or Firm* — George G. Wang; Bei & Ocean

(57) **CLAIM**

The ornamental design for a flexible vacuum head, as shown and described.

DESCRIPTION

FIG. 1 is a top perspective view of a flexible vacuum head showing my new design;
FIG. 2 is a bottom perspective view thereof;
FIG. 3 is a front view thereof;
FIG. 4 is a left side view thereof;
FIG. 5 is a right side view thereof;
FIG. 6 is a rear view thereof;
FIG. 7 is a top view thereof; and,
FIG. 8 is a bottom view thereof.

1 Claim, 8 Drawing Sheets

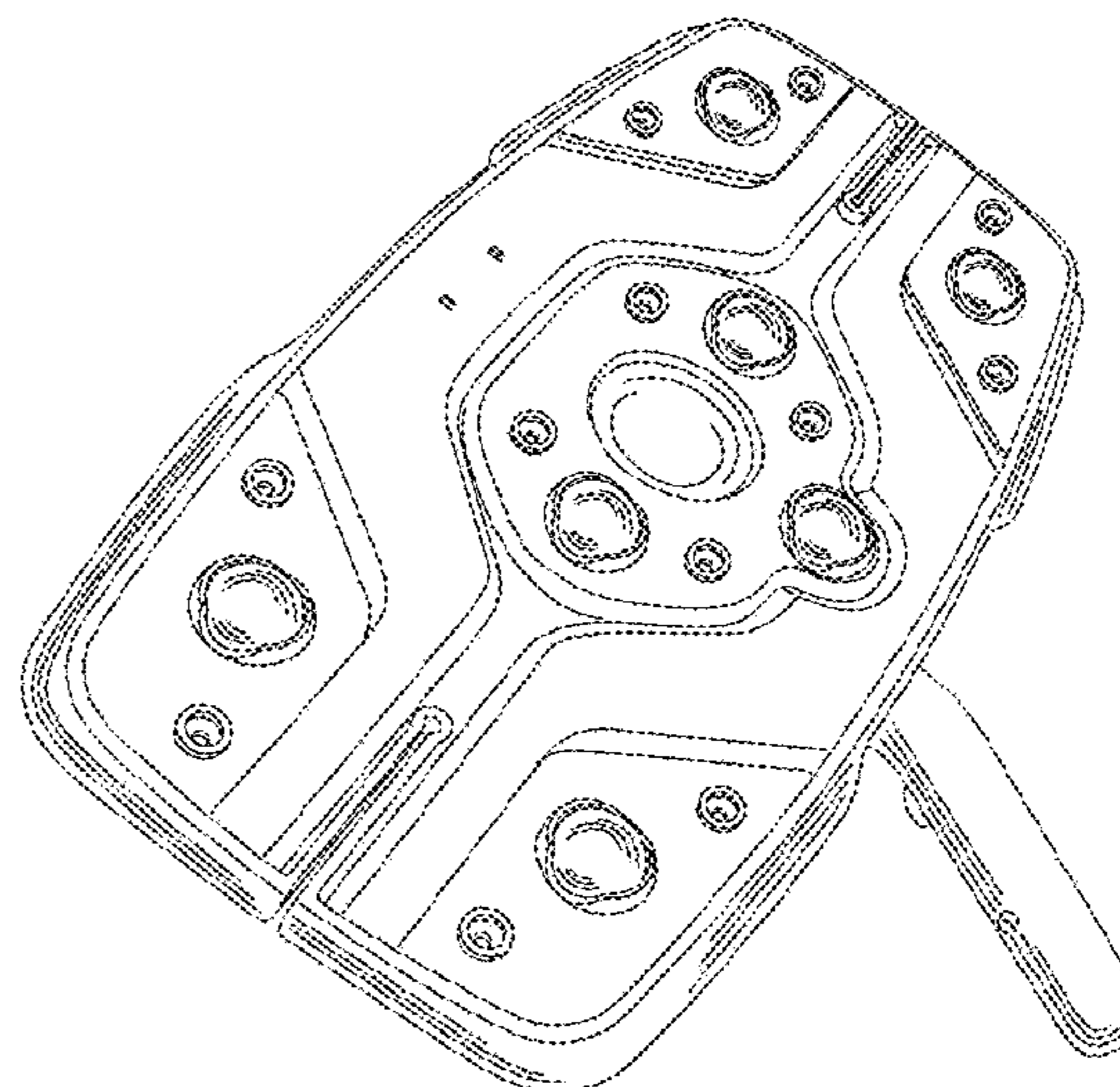
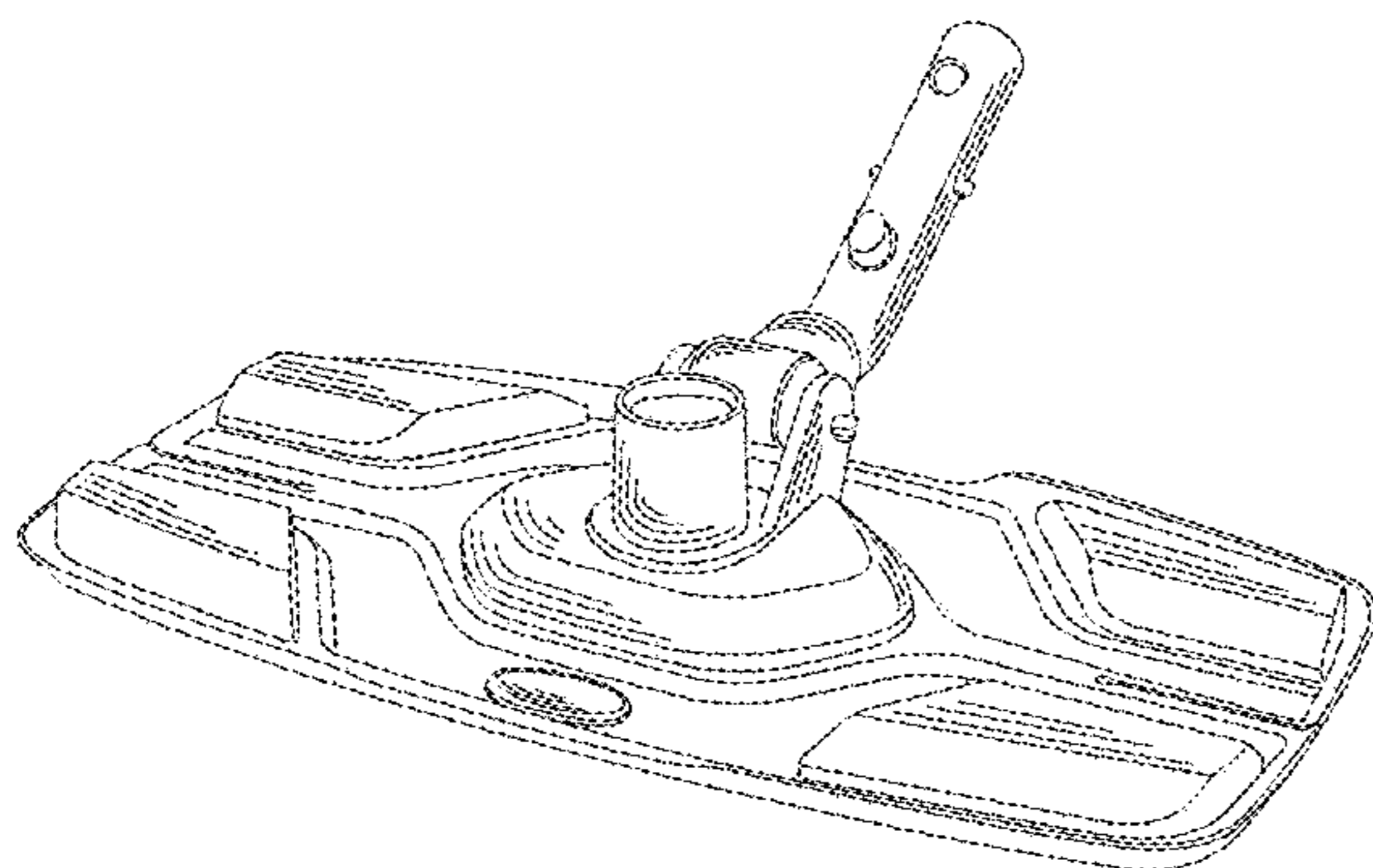


FIG. 1

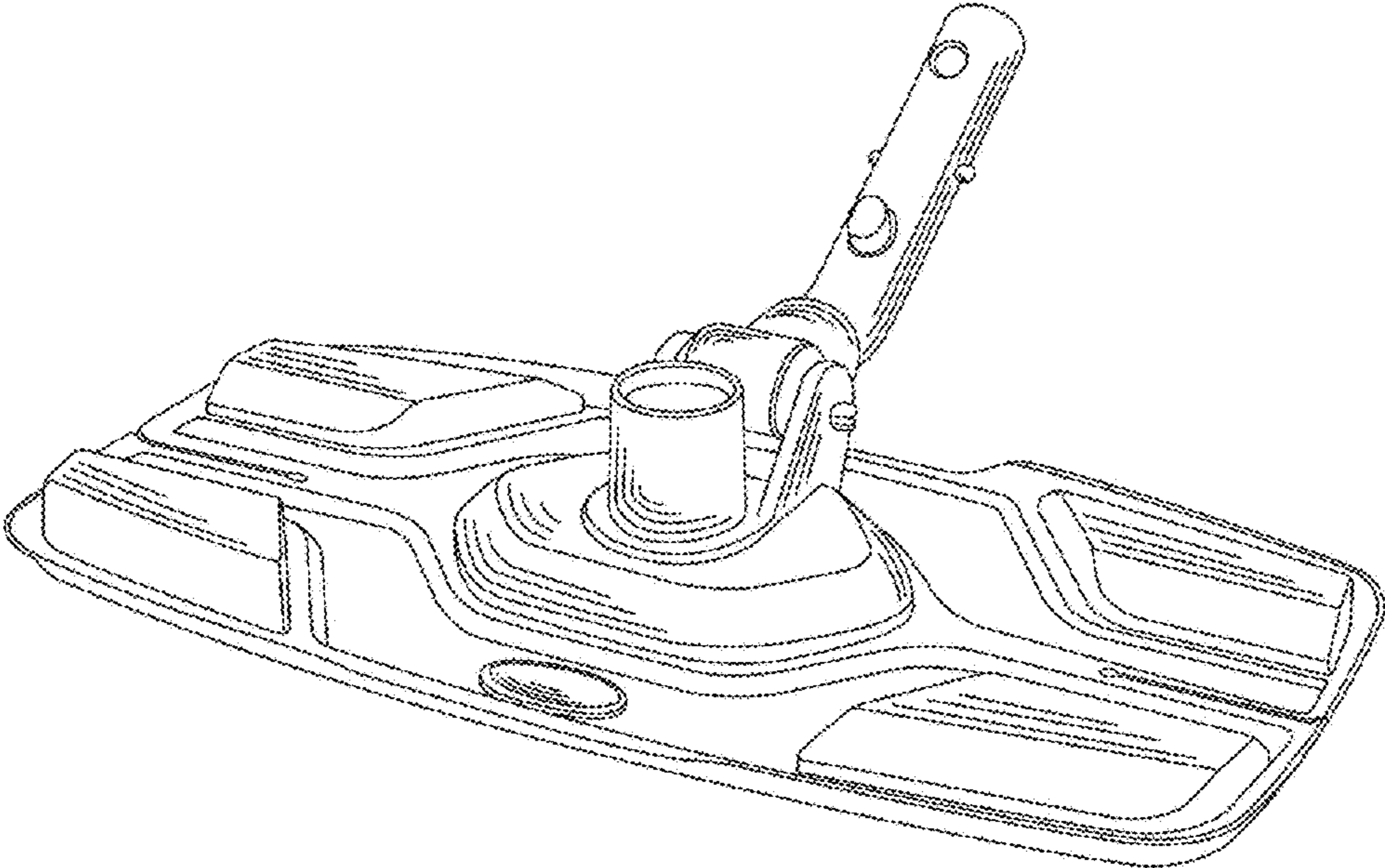


FIG. 2

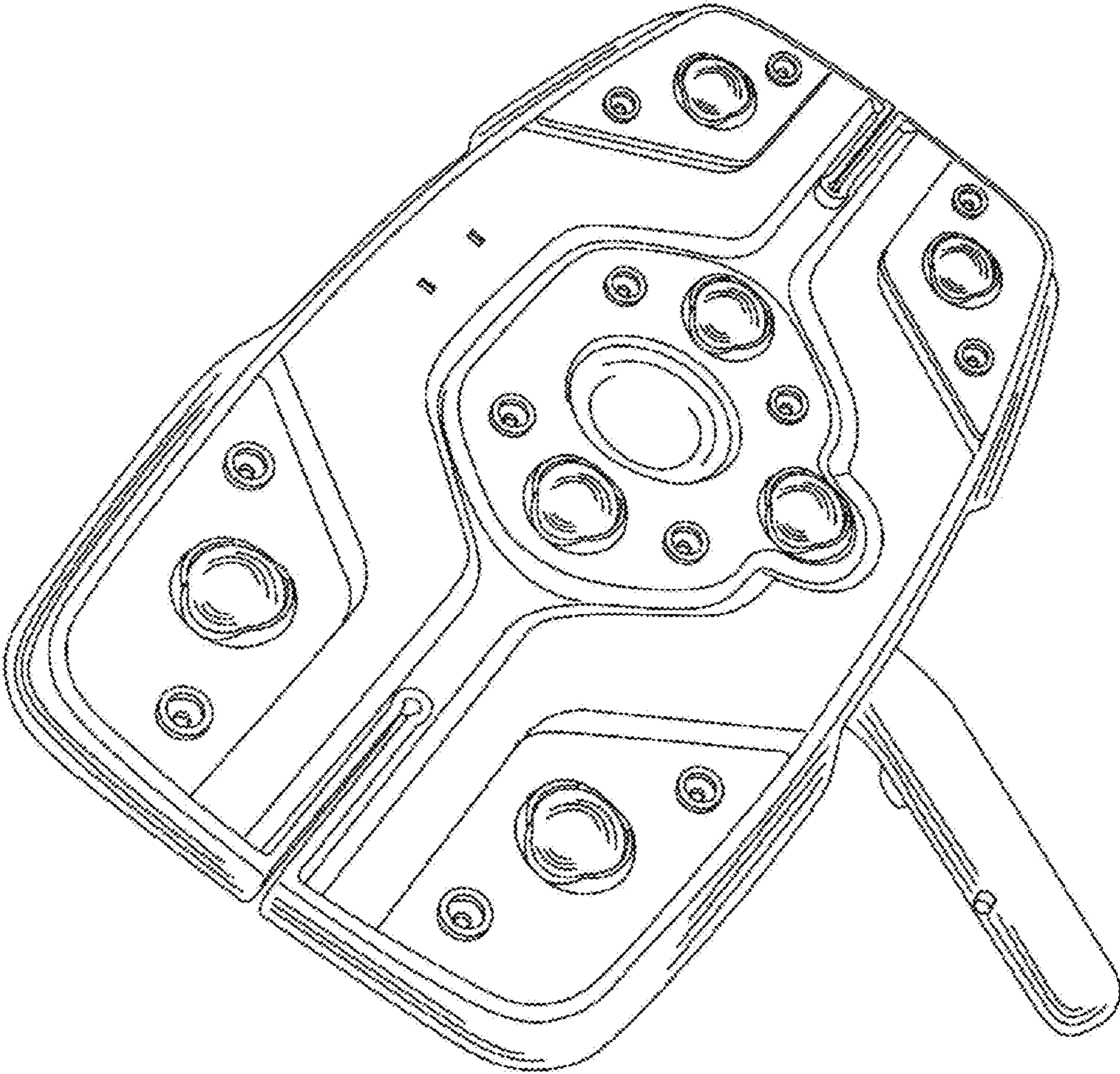


FIG.3

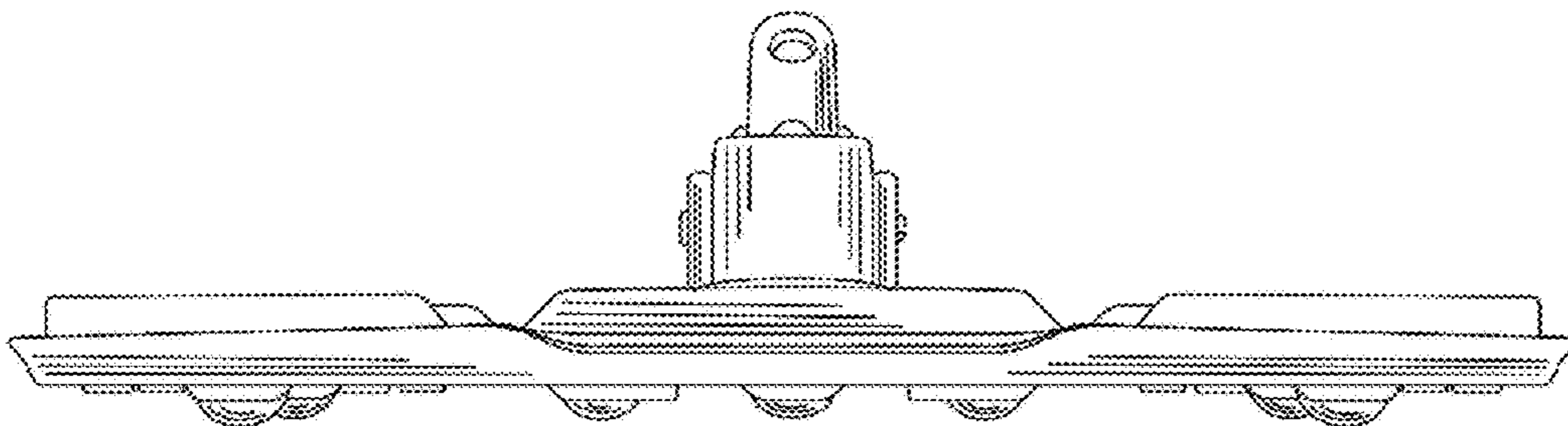


FIG. 4

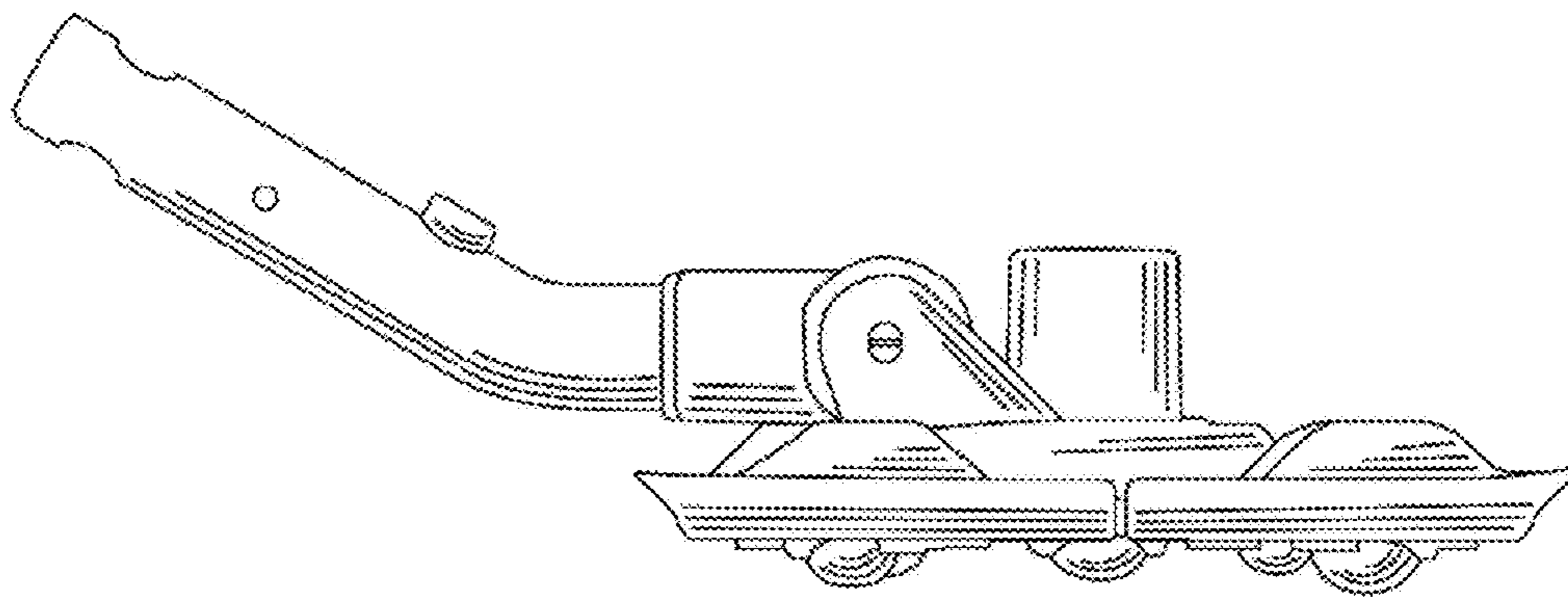


FIG. 5

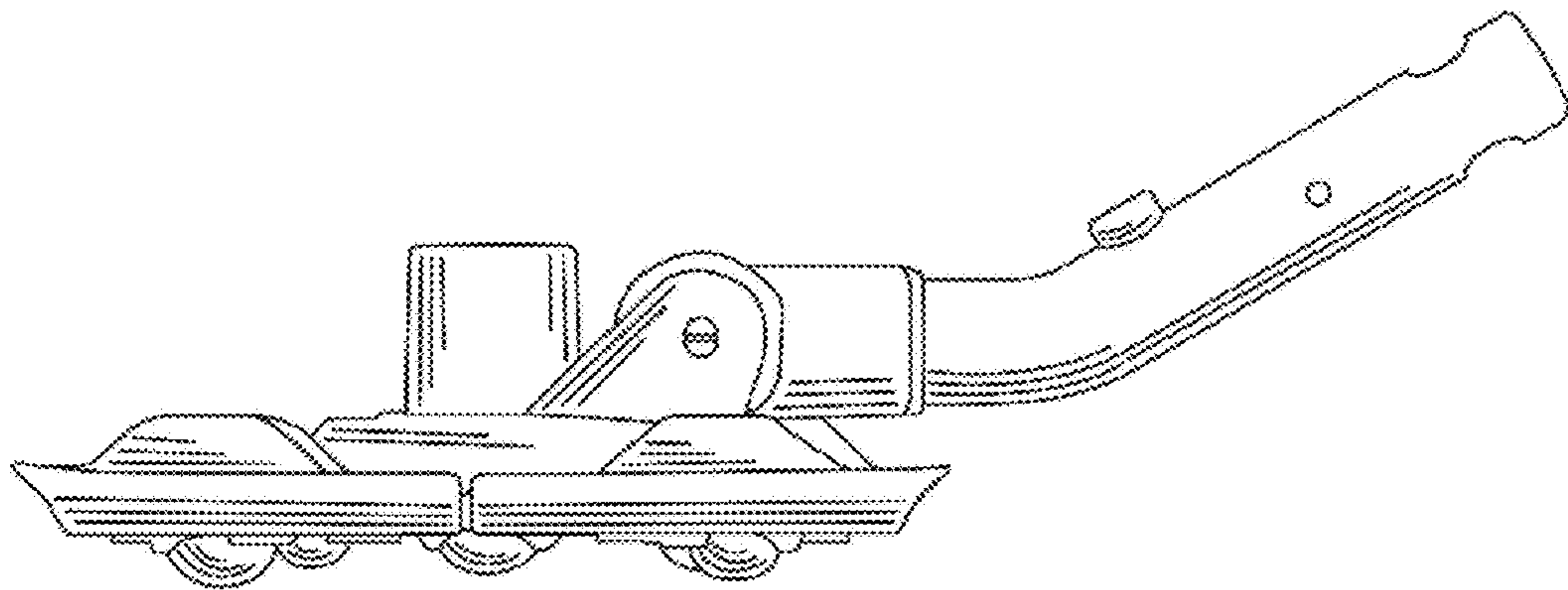


FIG. 6

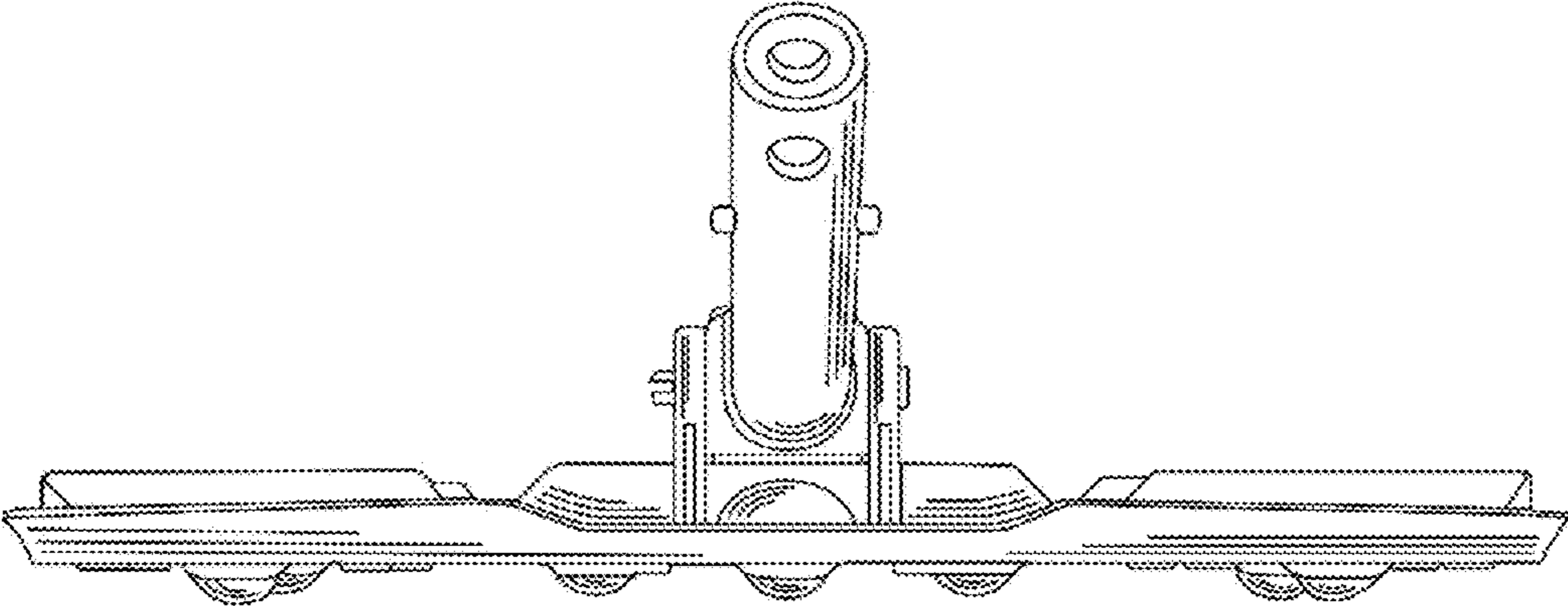


FIG. 7

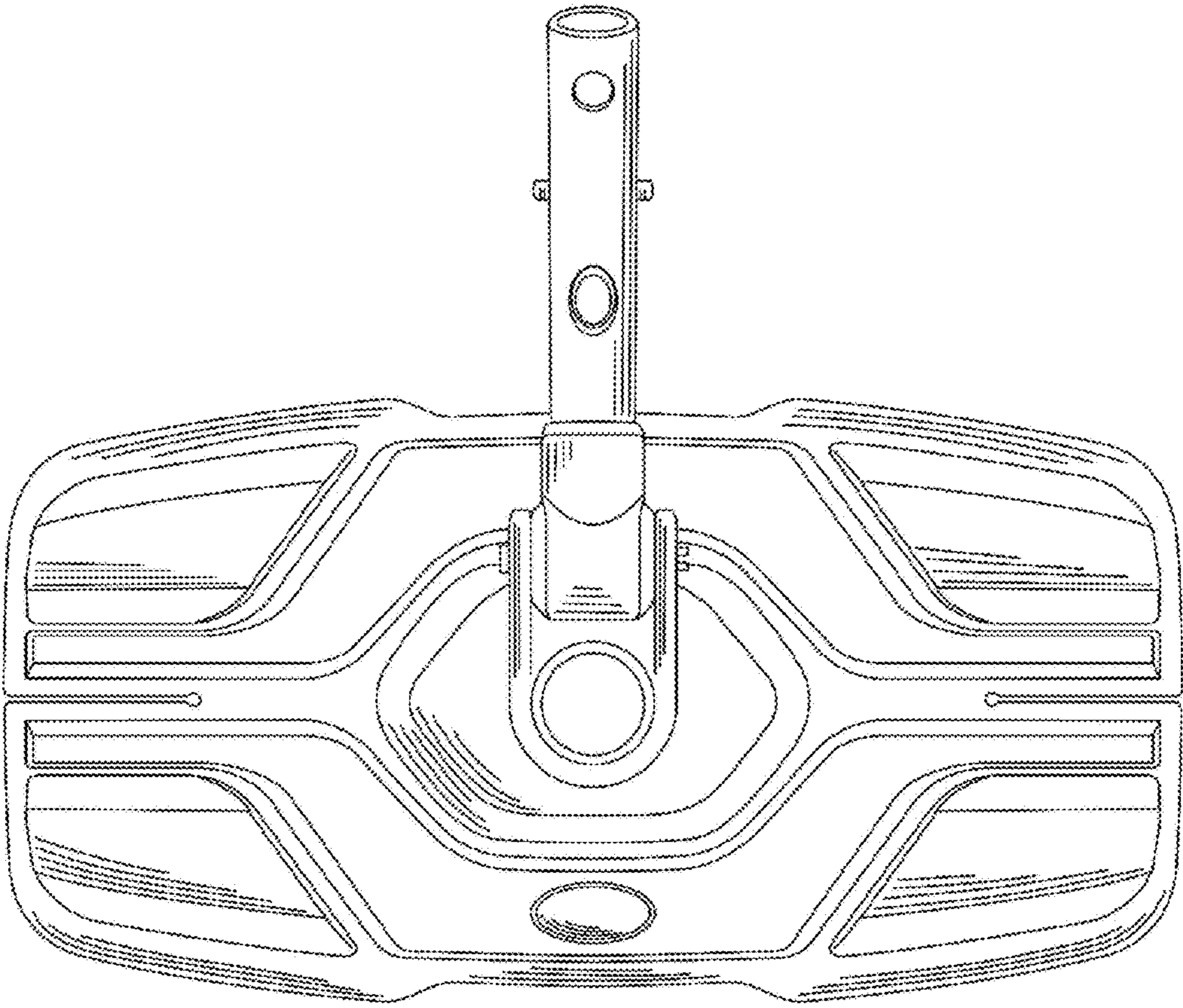


FIG. 8

