



US00D691337S

(12) **United States Design Patent**
Kim et al.

(10) **Patent No.:** **US D691,337 S**
(45) **Date of Patent:** **** Oct. 8, 2013**

(54) **ROBOT CLEANER**

(75) Inventors: **Hyosung Kim**, Seoul (KR); **Jaehun Chung**, Seoul (KR); **Seunghyun Song**, Gyeonggi-do (KR); **Seonil Yu**, Gyeonggi-do (KR)

(73) Assignee: **LG Electronics Inc.**, Seoul (KR)

(**) Term: **14 Years**

(21) Appl. No.: **29/414,025**

(22) Filed: **Feb. 23, 2012**

(30) **Foreign Application Priority Data**

Aug. 24, 2011 (KR) 30-2011-0035295

(51) **LOC (9) Cl.** **15-05**

(52) **U.S. Cl.**
USPC **D32/21**

(58) **Field of Classification Search**
USPC D32/17-21, 23, 31-33; 15/319-322, 15/307, 327.1, 327.5-327.7, 353, 415.1-422, 15/422.1, 383, 384, 400, 340.2, 52.2, 50.2
See application file for complete search history.

(56) **References Cited**

U.S. PATENT DOCUMENTS

D527,854 S *	9/2006	Marzynski	D32/21
D548,411 S *	8/2007	Schroter	D32/21
D548,902 S *	8/2007	Chun et al.	D32/21
D548,903 S *	8/2007	Chun et al.	D32/21
D551,815 S *	9/2007	Schroeter	D32/21
D556,961 S *	12/2007	Swyst et al.	D32/21

D593,265 S *	5/2009	Carr et al.	D32/21
D596,815 S *	7/2009	Baek	D32/21
D625,059 S *	10/2010	Morenstein et al.	D32/21
D658,341 S *	4/2012	Nam et al.	D32/21
D659,920 S *	5/2012	Lee et al.	D32/21
D660,132 S *	5/2012	Yoder et al.	D8/354
D661,439 S *	6/2012	Lee et al.	D32/21
D661,440 S *	6/2012	Lee et al.	D32/21
D665,547 S *	8/2012	Nam et al.	D32/21
D669,235 S *	10/2012	Bassett et al.	D32/21
D670,877 S *	11/2012	Geringer et al.	D32/21

* cited by examiner

Primary Examiner — Ruth McInroy

(74) *Attorney, Agent, or Firm* — Birch, Stewart, Kolasch & Birch, LLP

(57) **CLAIM**

The ornamental design for a robot cleaner, as shown and described.

DESCRIPTION

FIG. 1 is a perspective view of a robot cleaner showing our new design;
FIG. 2 is a front view thereof;
FIG. 3 is a rear view thereof;
FIG. 4 is a left side view thereof;
FIG. 5 is a right side view thereof;
FIG. 6 is a top plan view thereof; and,
FIG. 7 is a perspective view showing the state in which brushes have been attached to the lower part of the robot cleaner.

The broken lines shown are included for the purpose of illustrating the unclaimed portions of the article and form no part of the claimed design.

1 Claim, 5 Drawing Sheets

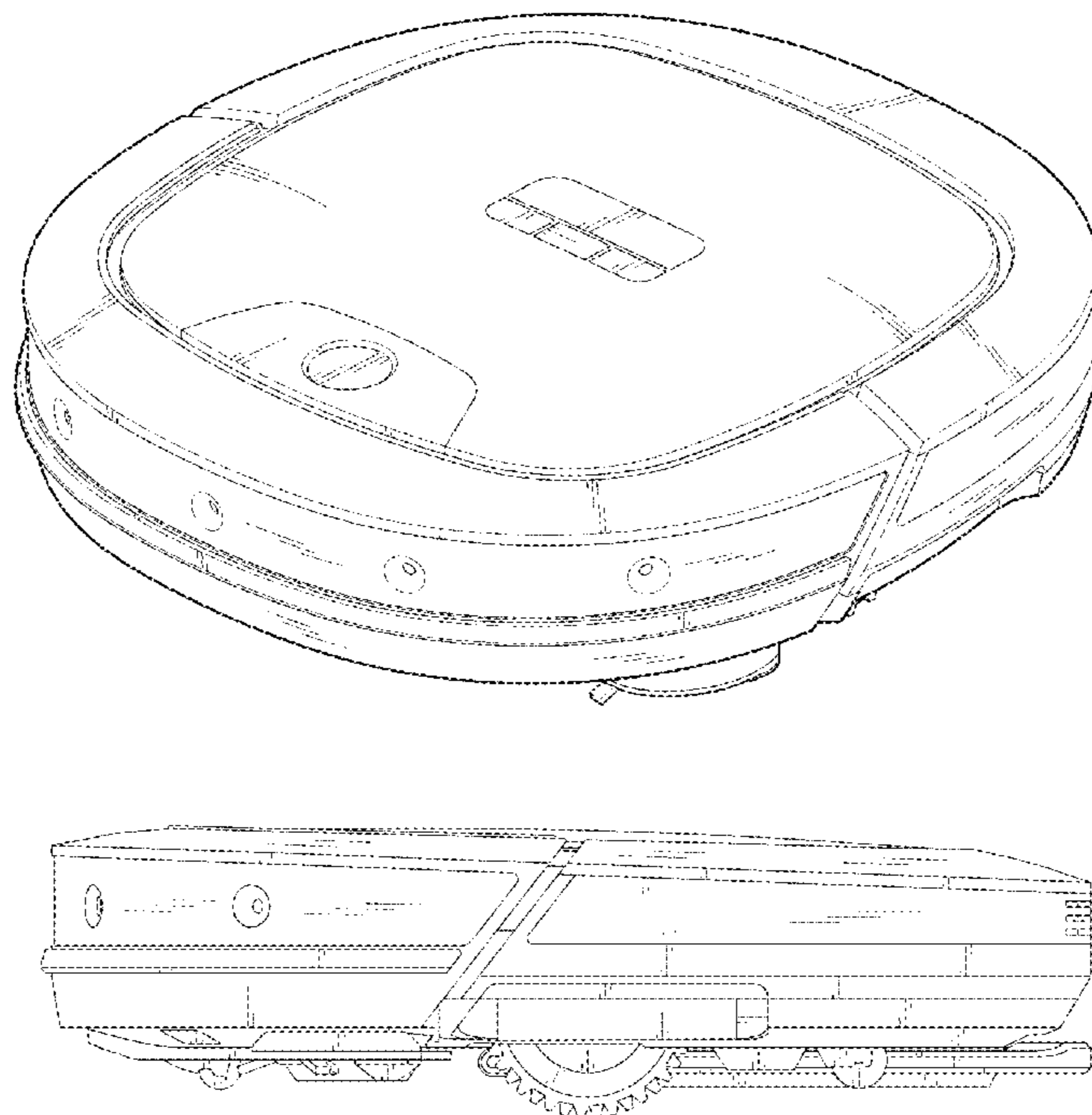


FIG. 1

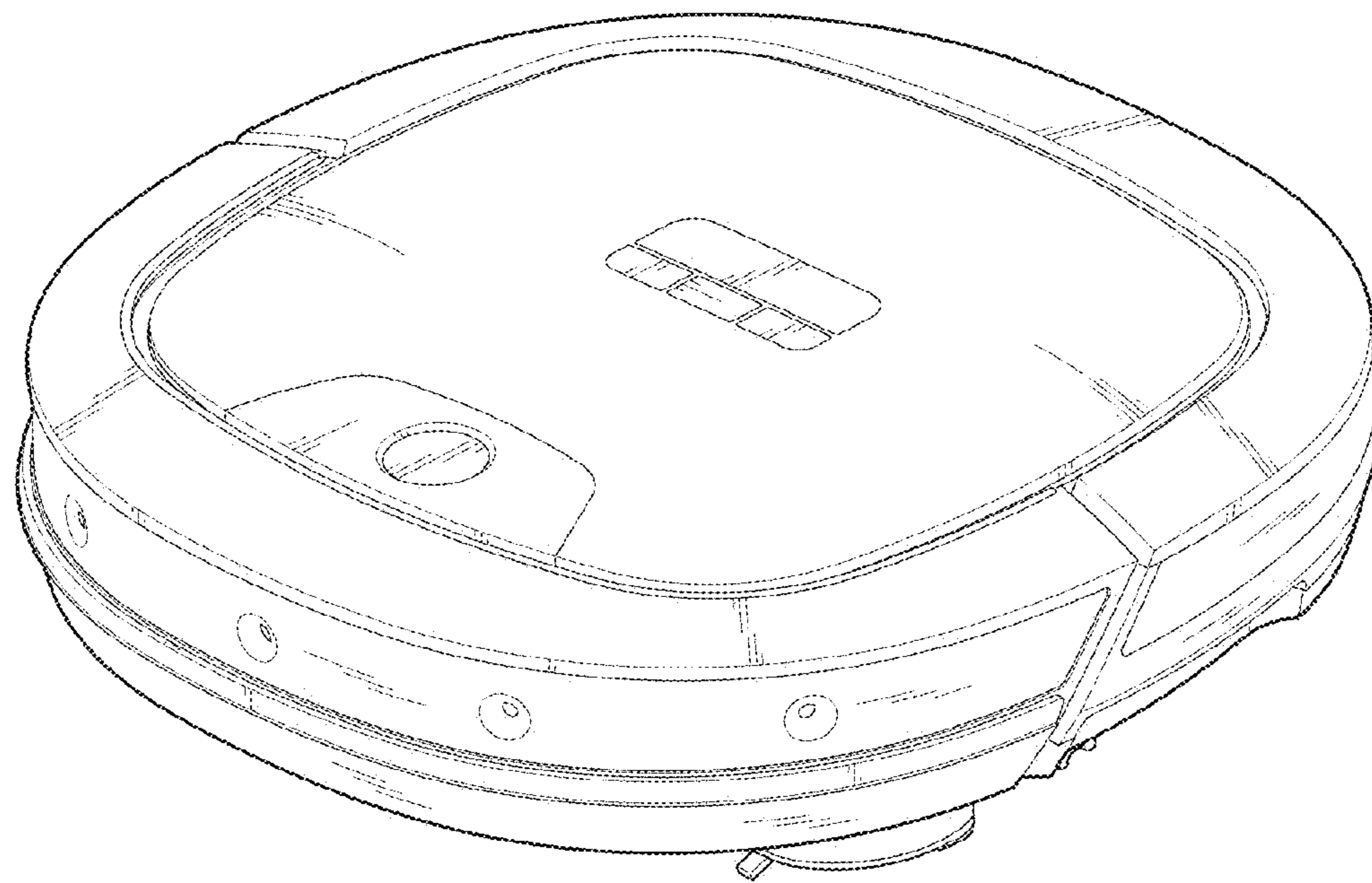


FIG. 2

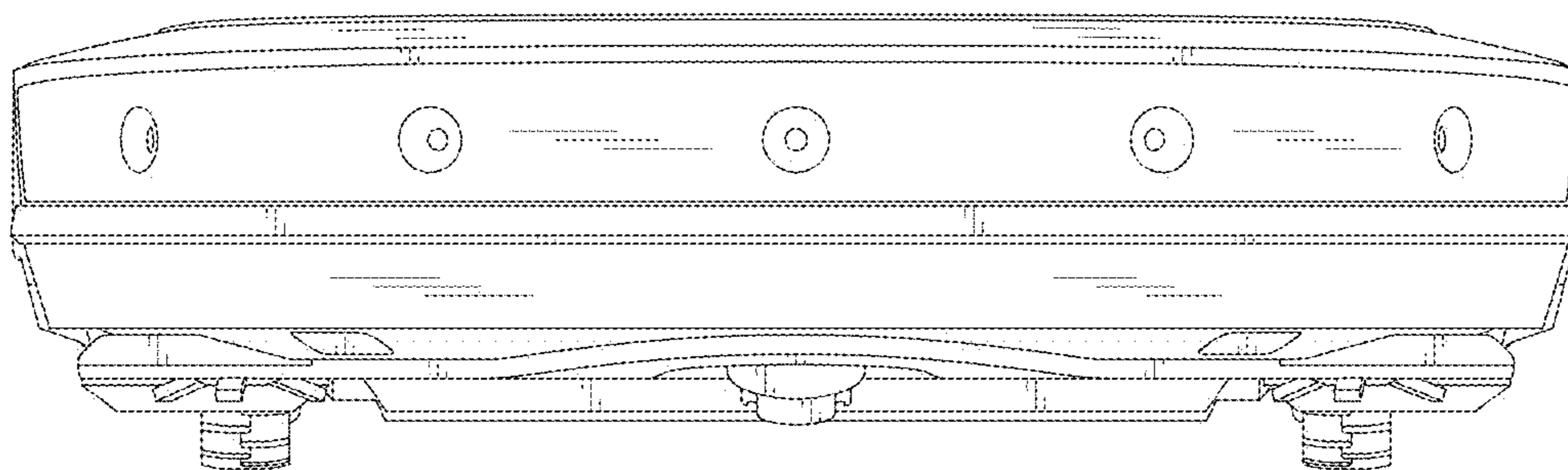


FIG. 3

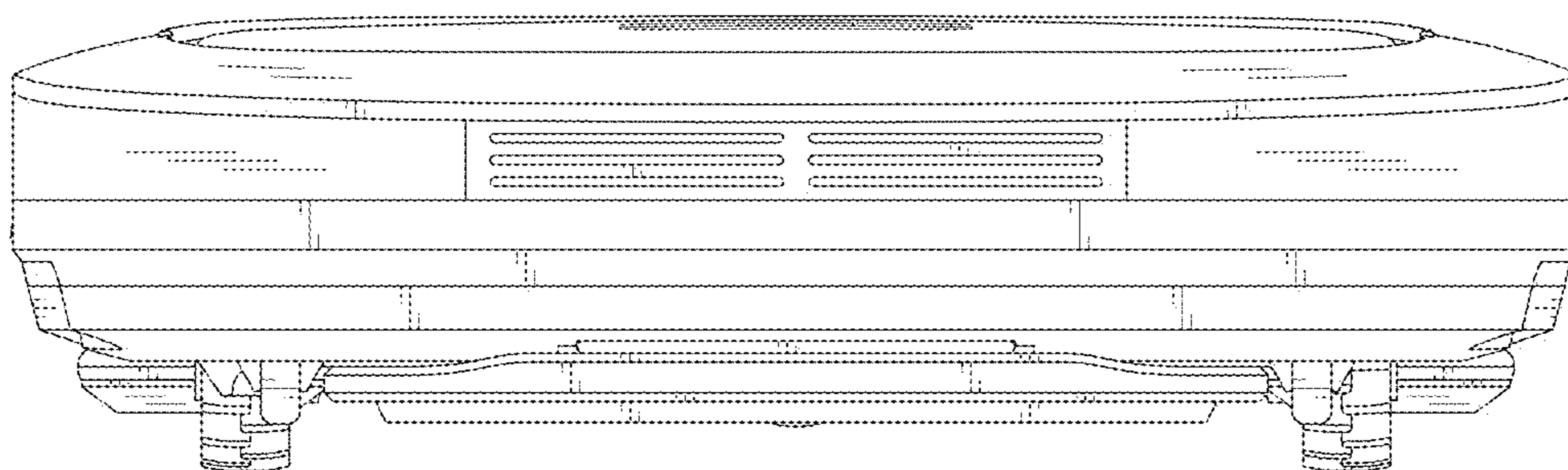


FIG. 4

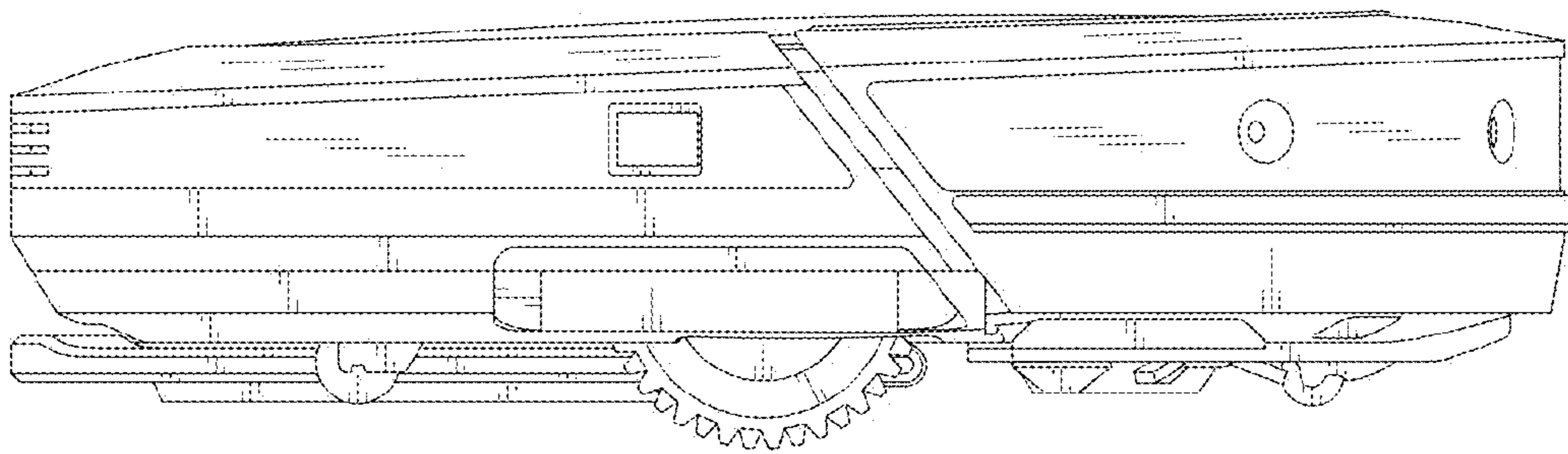


FIG. 5

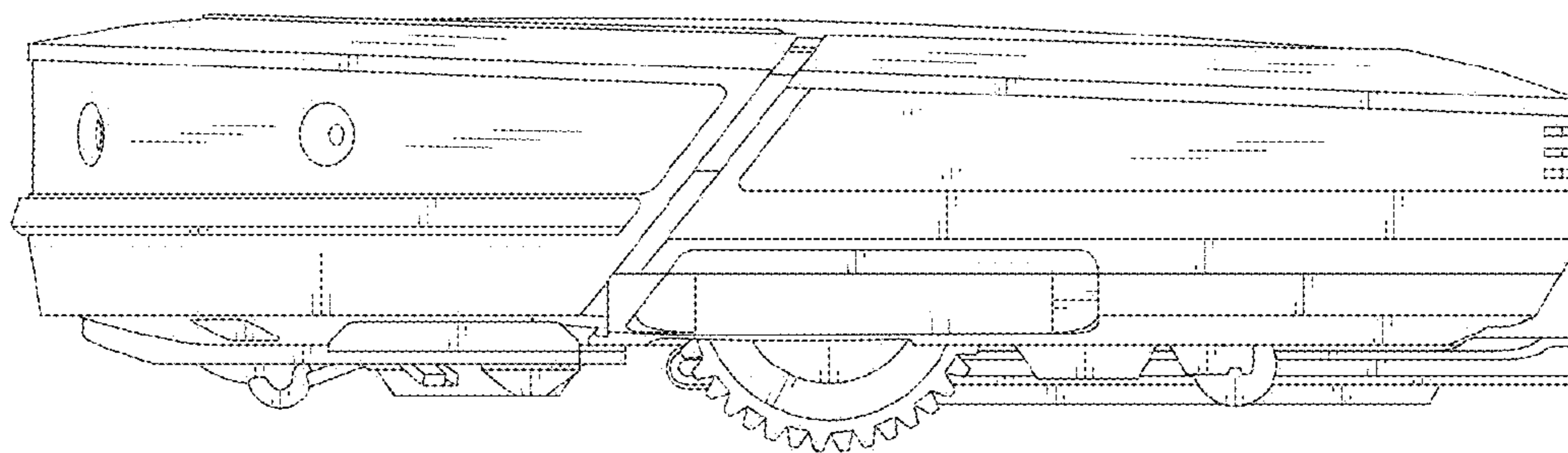


FIG. 6

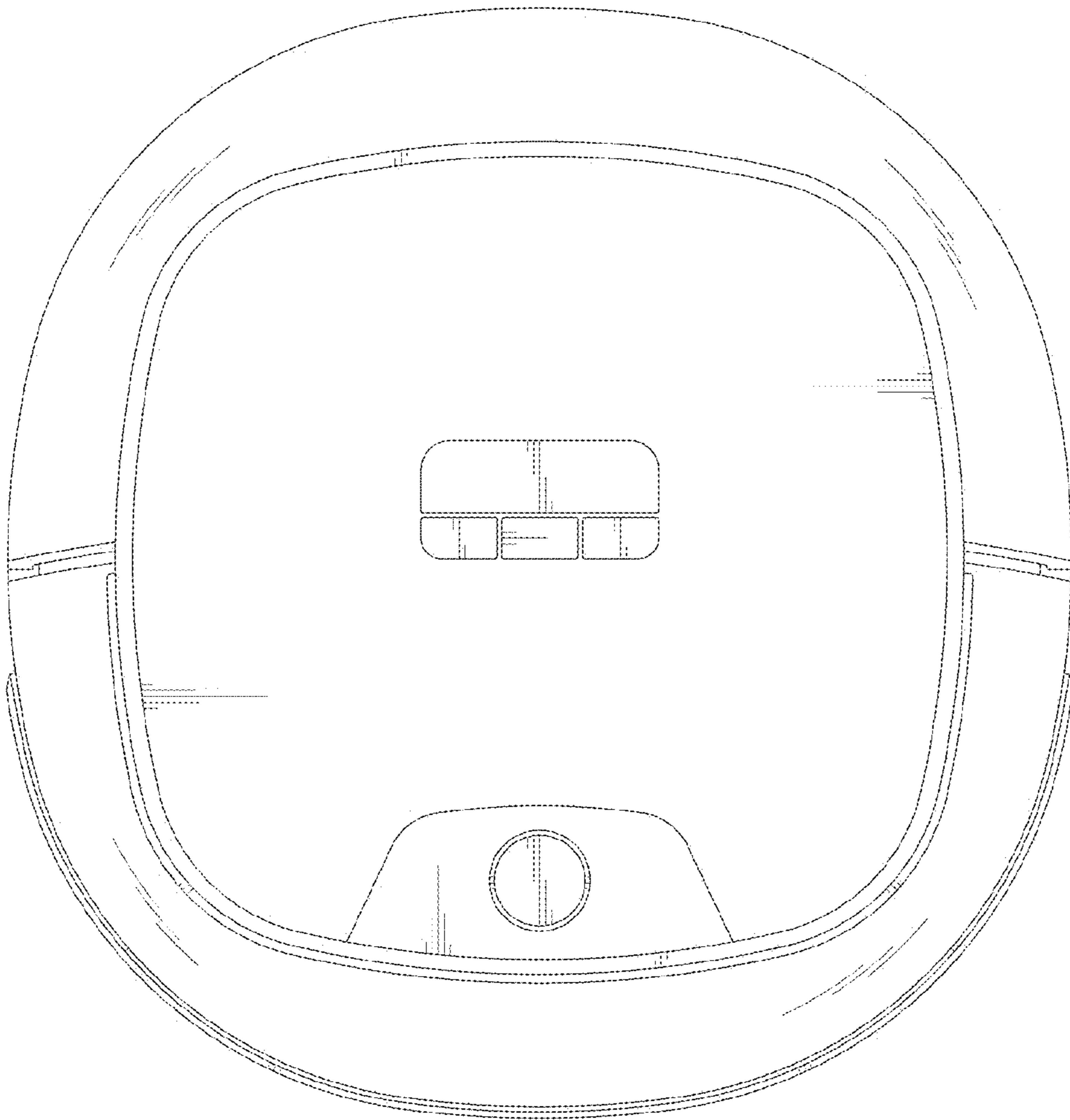


FIG. 7

