



US00D691334S

(12) **United States Design Patent**
Byrne

(10) **Patent No.:** **US D691,334 S**
(45) **Date of Patent:** **** Oct. 8, 2013**

(54) **PET TREAT BALL**

(71) Applicant: **C.B. Worldwide, Inc.**, Mammoth Lakes, CA (US)

(72) Inventor: **Charles A. Byrne**, Mammoth Lakes, CA (US)

(**) Term: **14 Years**

(21) Appl. No.: **29/438,010**

(22) Filed: **Nov. 24, 2012**

(51) **LOC (9) Cl.** **30-99**

(52) **U.S. Cl.**
USPC **D30/160; D30/121**

(58) **Field of Classification Search**
USPC **D30/160; 119/702, 706-711**
See application file for complete search history.

(56) **References Cited**

U.S. PATENT DOCUMENTS

5,813,366	A *	9/1998	Mauldin, Jr.	119/710
6,186,095	B1 *	2/2001	Simon	119/707
6,470,830	B2 *	10/2002	Mann	119/709
6,557,496	B2 *	5/2003	Herrenbruck	119/707
D670,040	S *	10/2012	Aboujaoude	D30/117
D672,927	S *	12/2012	Bertsch	D30/160
D680,698	S *	4/2013	McWilliams	D30/160

* cited by examiner

Primary Examiner — Cathy A MacCormac

(74) *Attorney, Agent, or Firm* — Martino Patent Law

(57) **CLAIM**

The ornamental design for a pet treat ball, as shown and described.

DESCRIPTION

FIG. 1 is a front perspective view of a pet treat ball embodying my new design;

FIG. 2 is a front elevational view of FIG. 1;

FIG. 3 is a rear elevational view of FIG. 1;

FIG. 4 is a right side elevational view of FIG. 1;

FIG. 5 is a top plan view of FIG. 1;

FIG. 6 is a rear perspective view of FIG. 1;

FIG. 7 is a front perspective view of a second embodiment;

FIG. 8 is a front elevational view of FIG. 7;

FIG. 9 is a rear elevational view of FIG. 7;

FIG. 10 is a right side elevational view of FIG. 7;

FIG. 11 is a top plan view of FIG. 7;

FIG. 12 is a rear perspective view of FIG. 7;

FIG. 13 is a front perspective view of a third embodiment;

FIG. 14 is a front elevational view of FIG. 13;

FIG. 15 is a rear elevational view of FIG. 13;

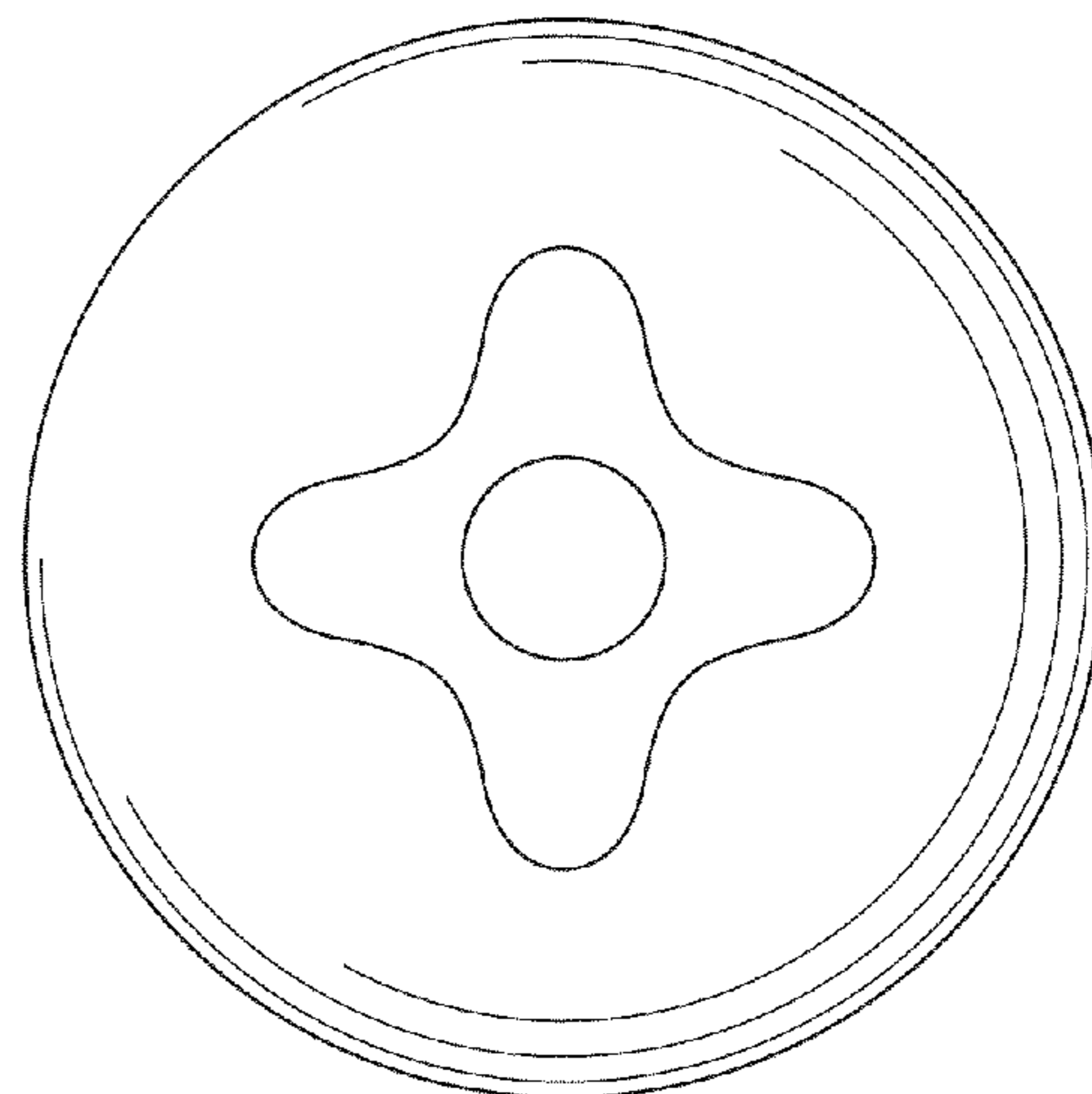
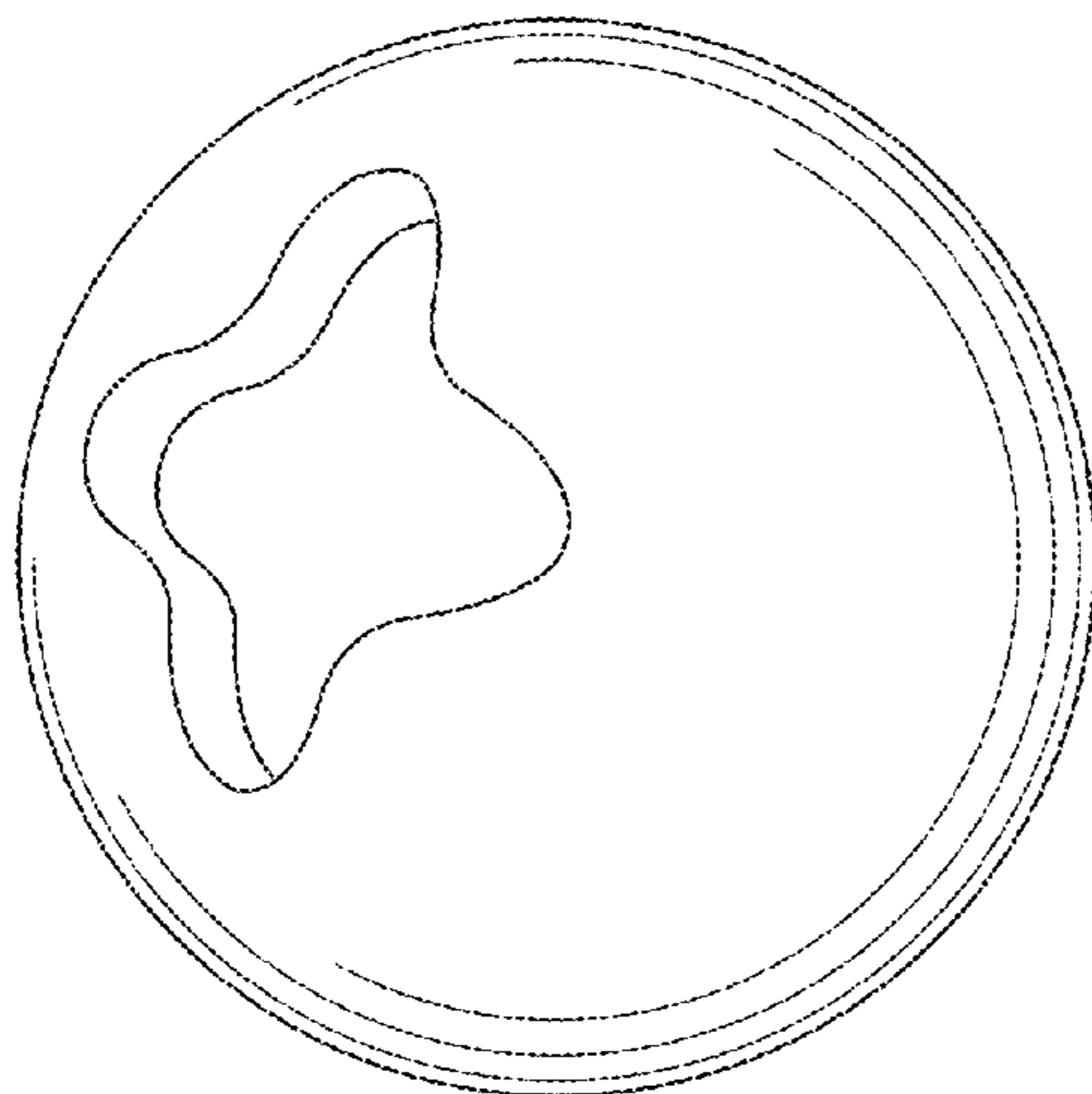
FIG. 16 is a right side elevational view of FIG. 13;

FIG. 17 is a top plan view of FIG. 13; and,

FIG. 18 is a rear perspective view of FIG. 13.

The broken lines shown in the drawings are for illustrative purposes only and form no part of the claimed design.

1 Claim, 3 Drawing Sheets



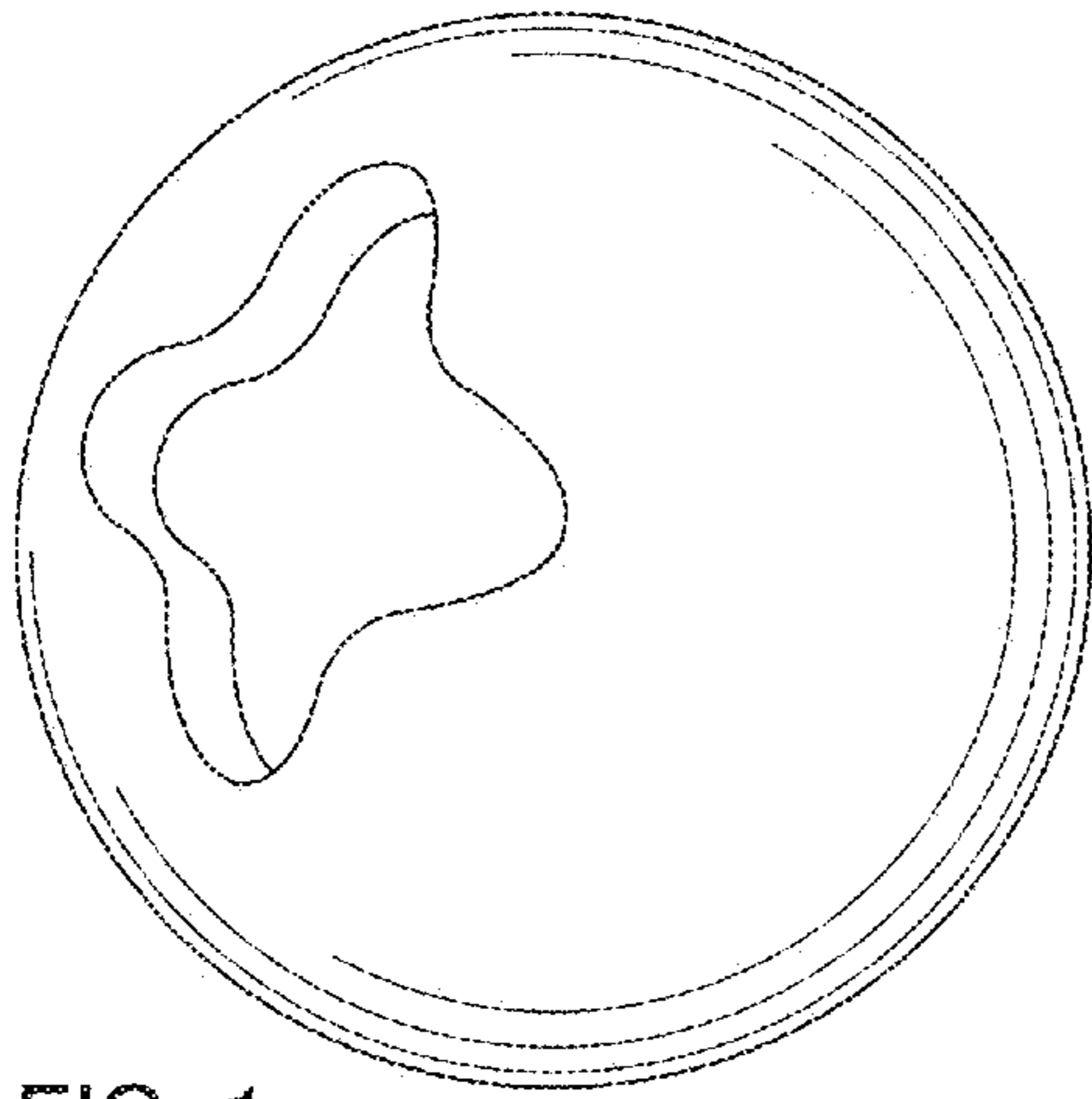


FIG. 1

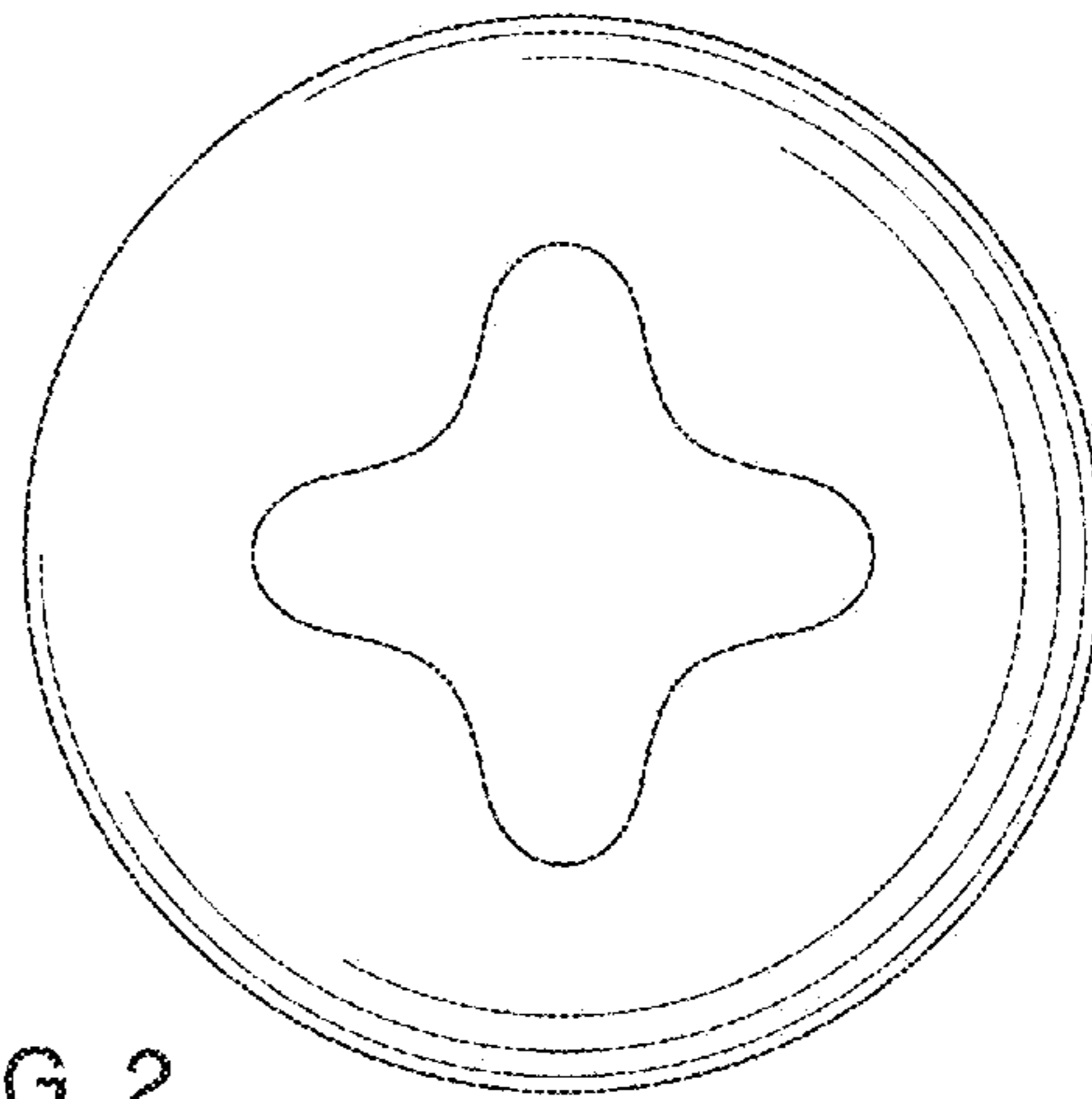


FIG. 2

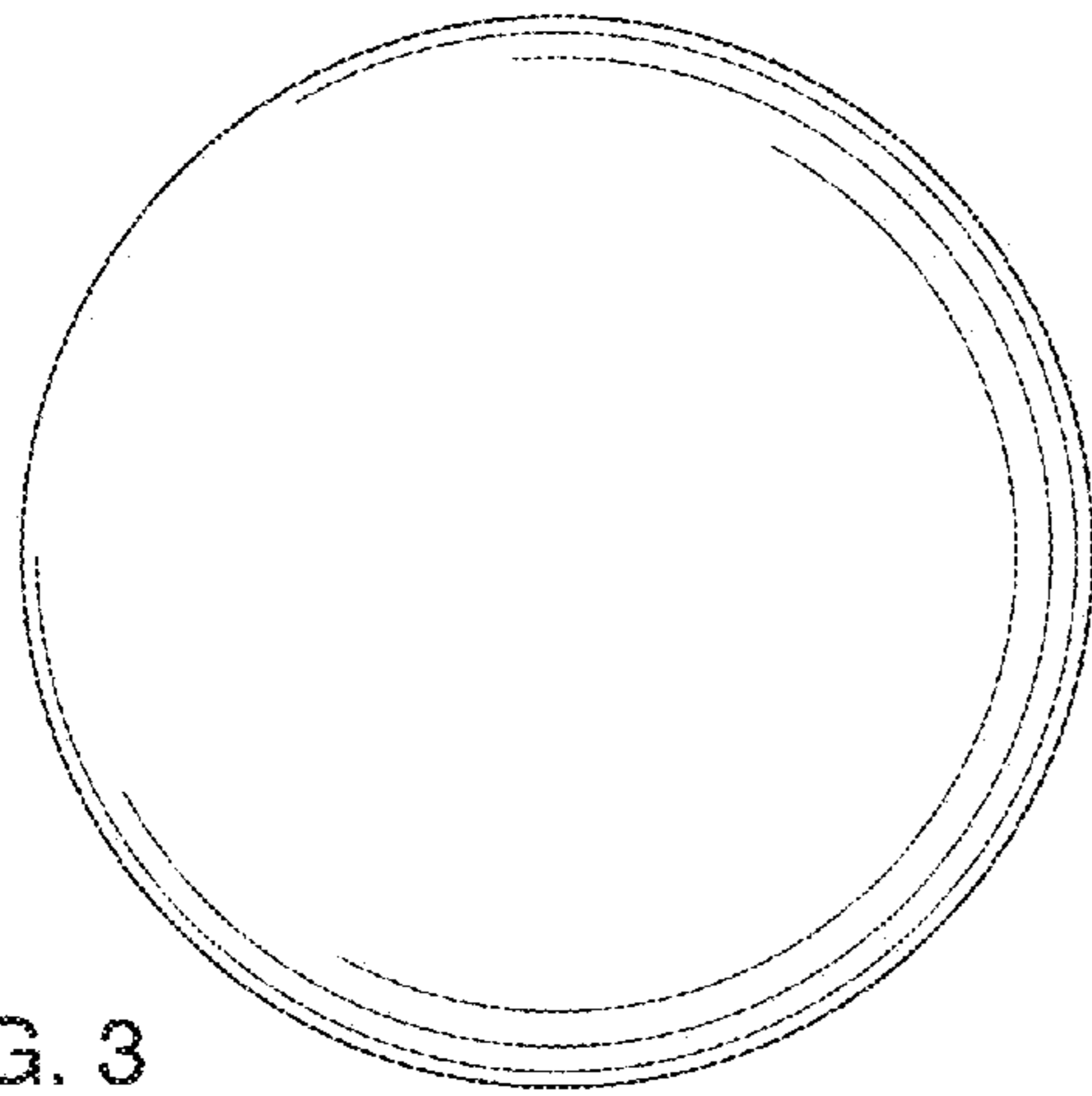


FIG. 3

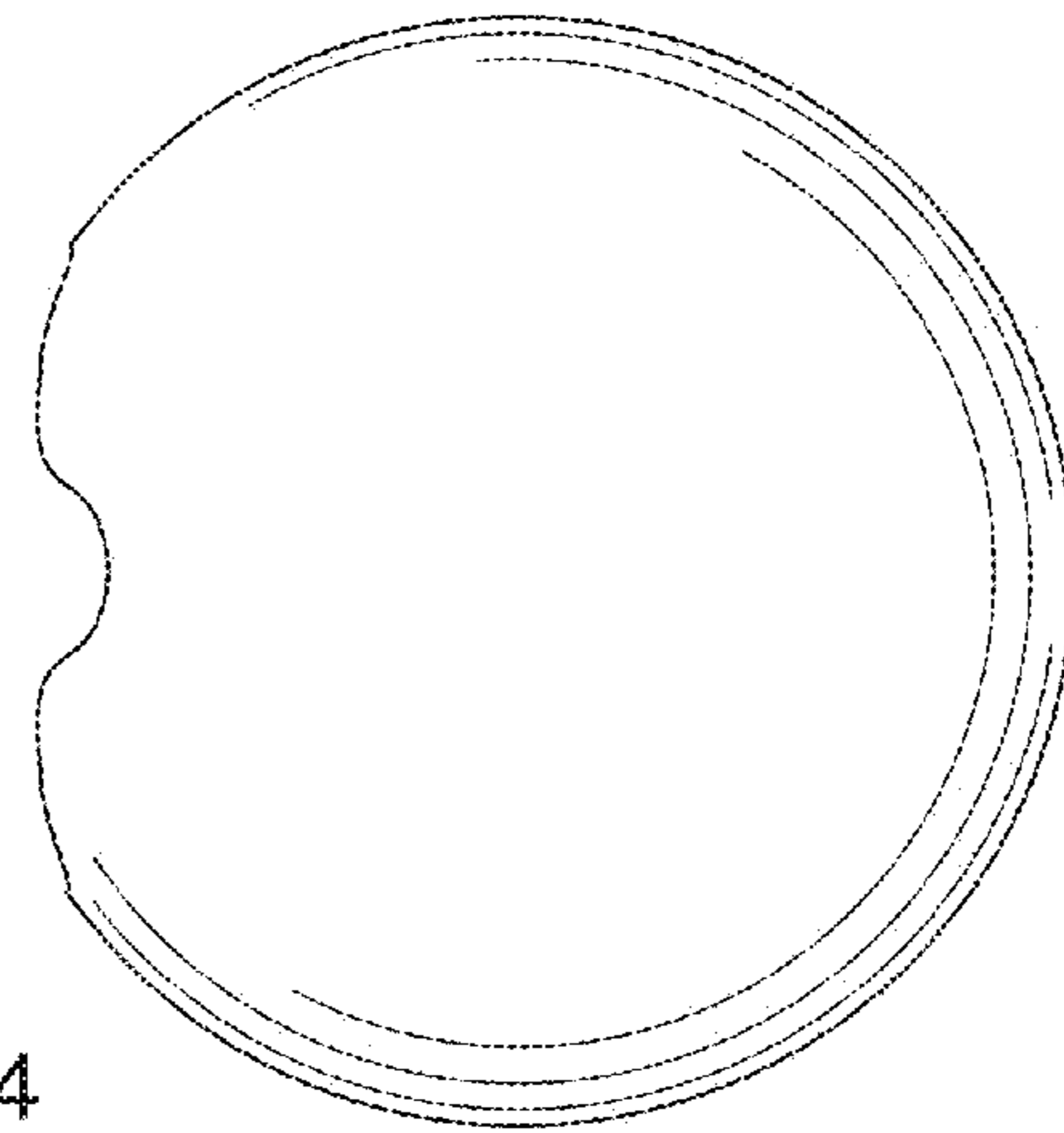


FIG. 4

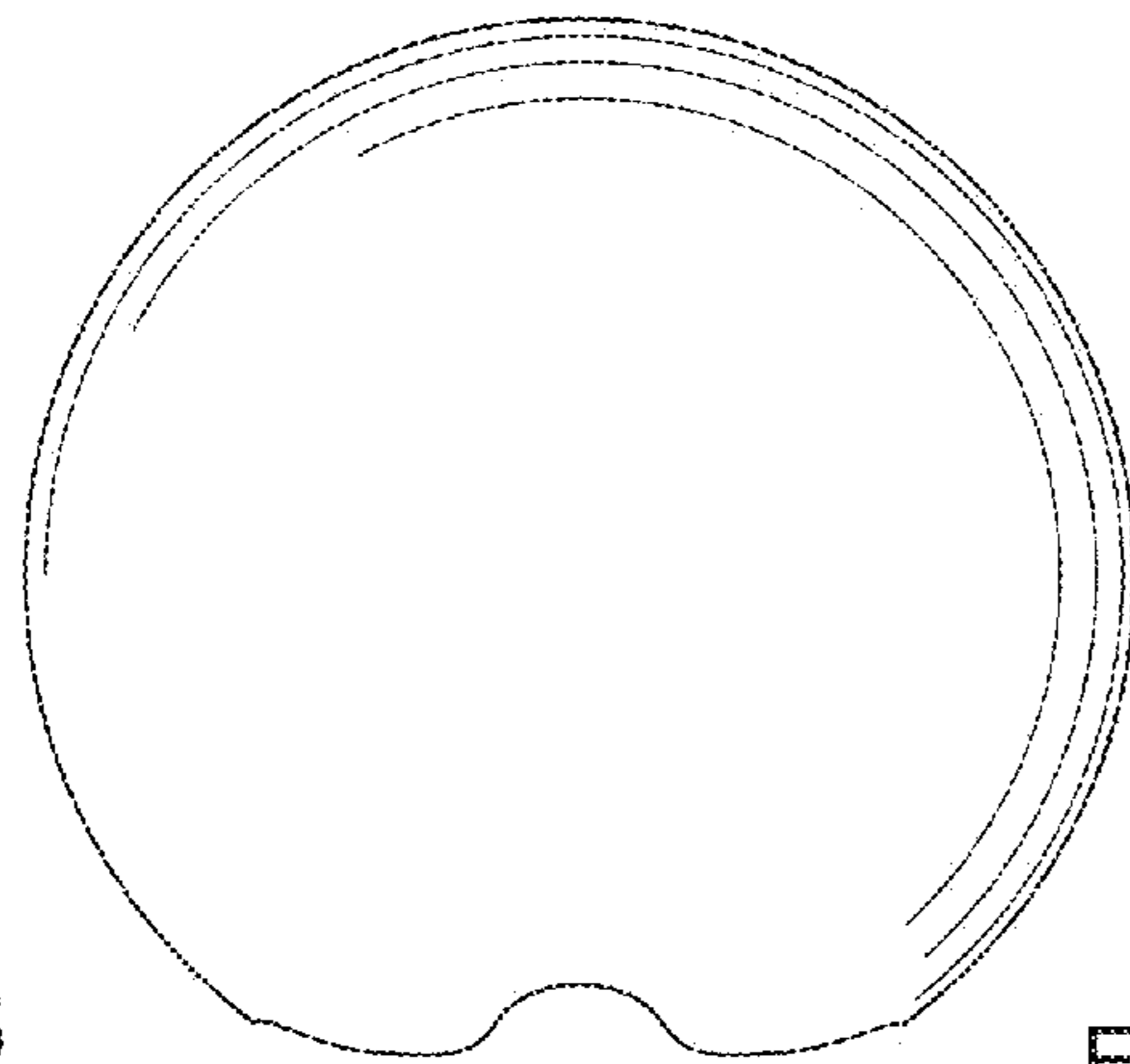


FIG. 5

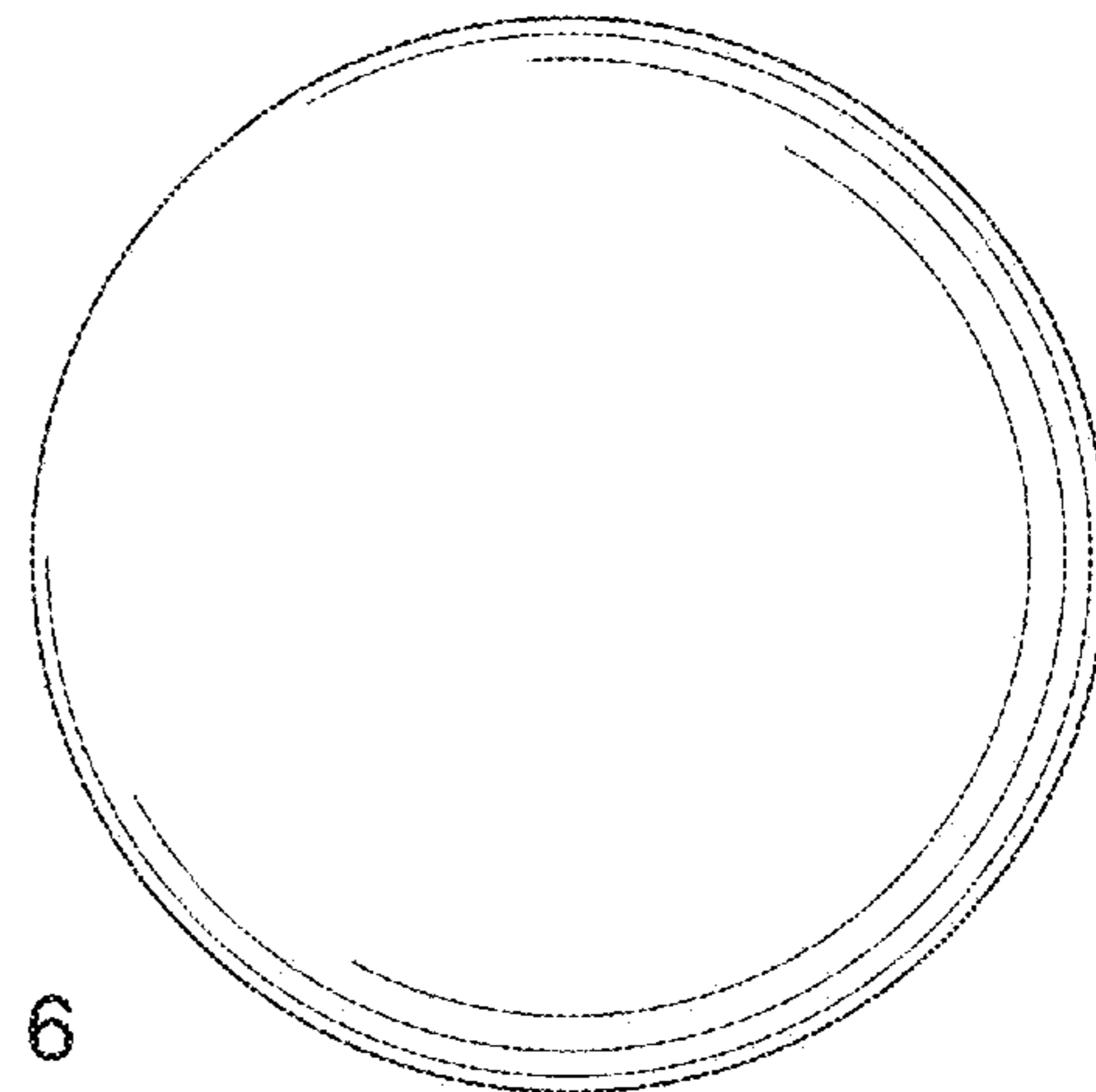


FIG. 6

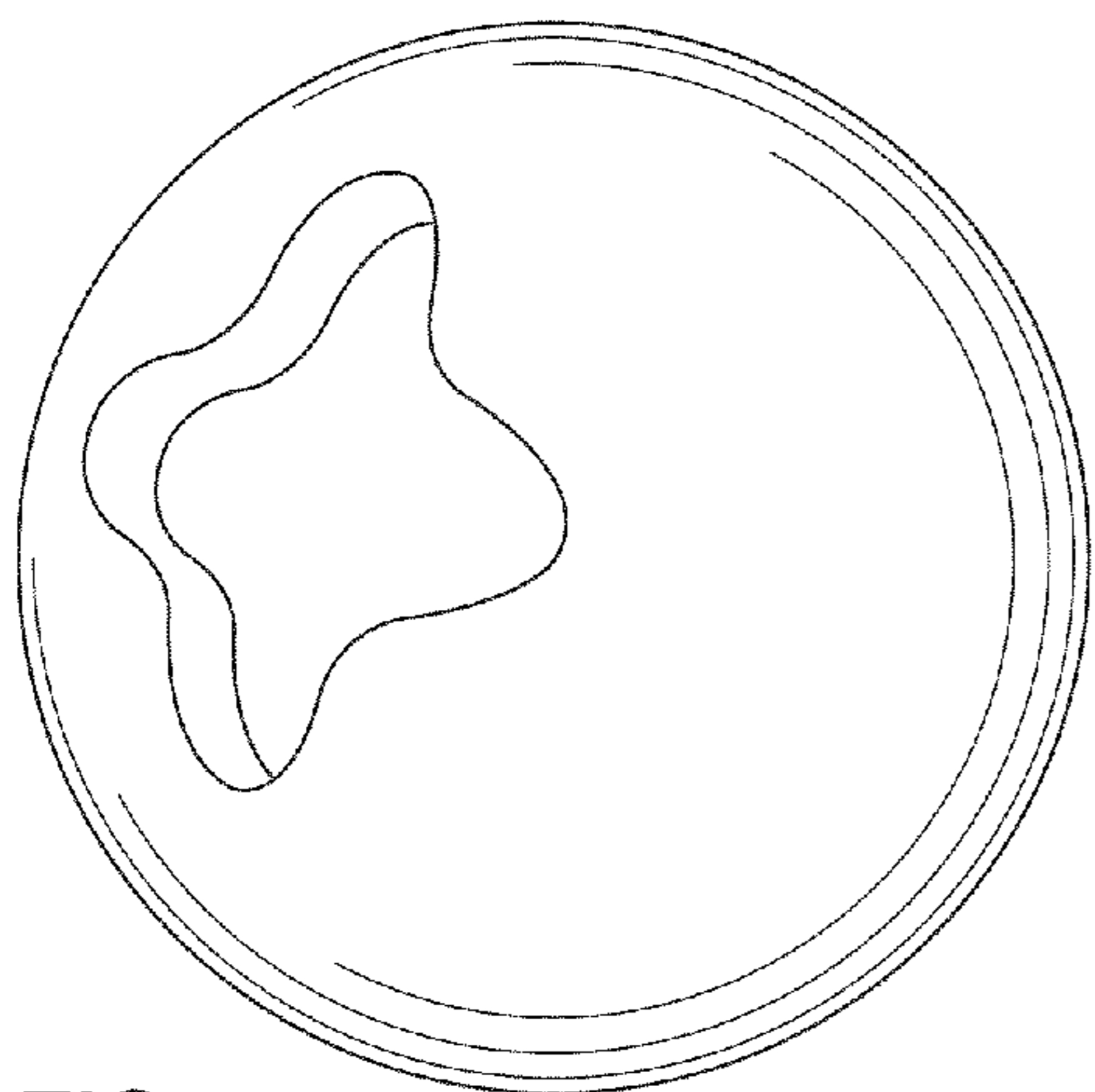


FIG. 7

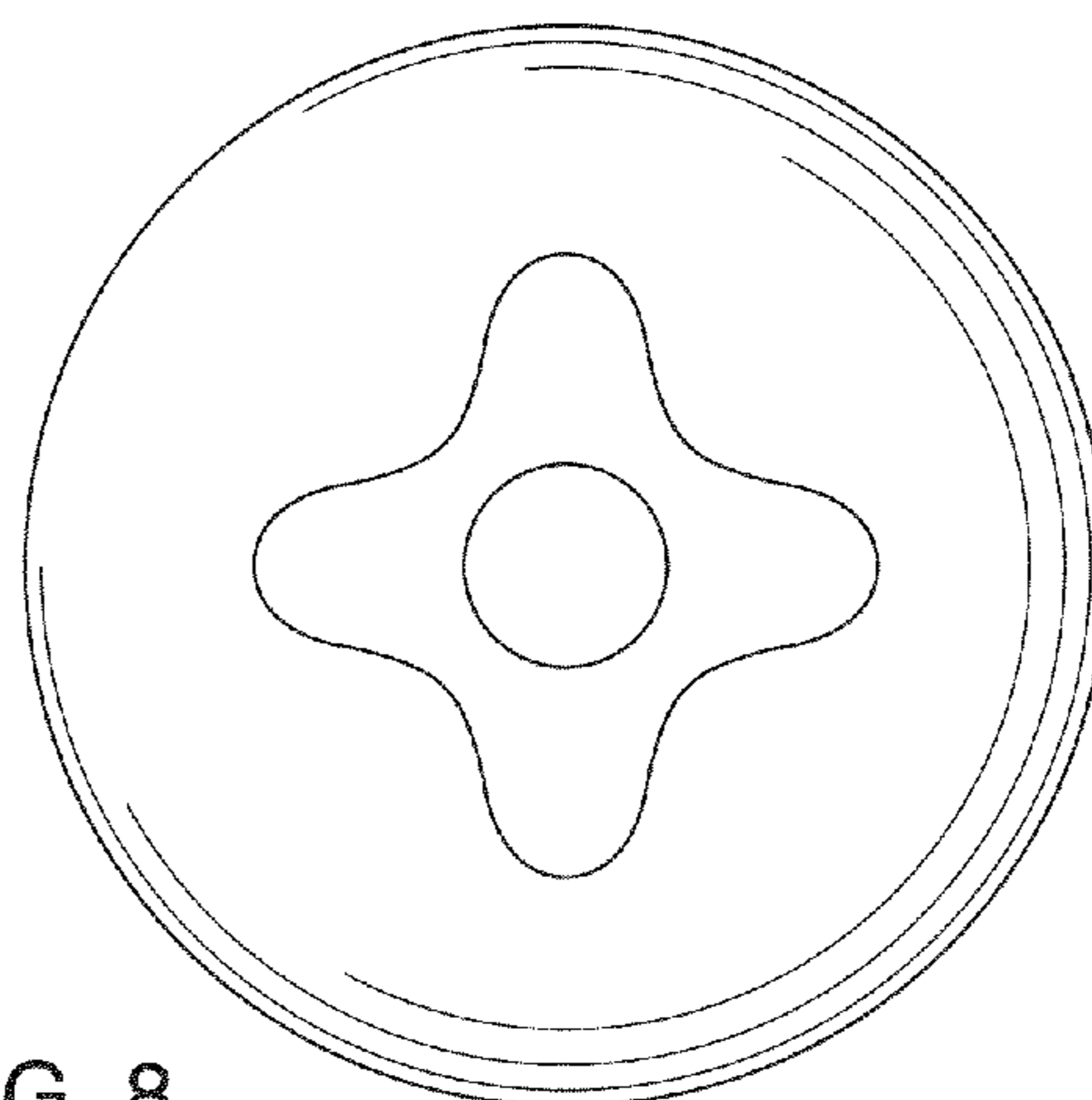


FIG. 8

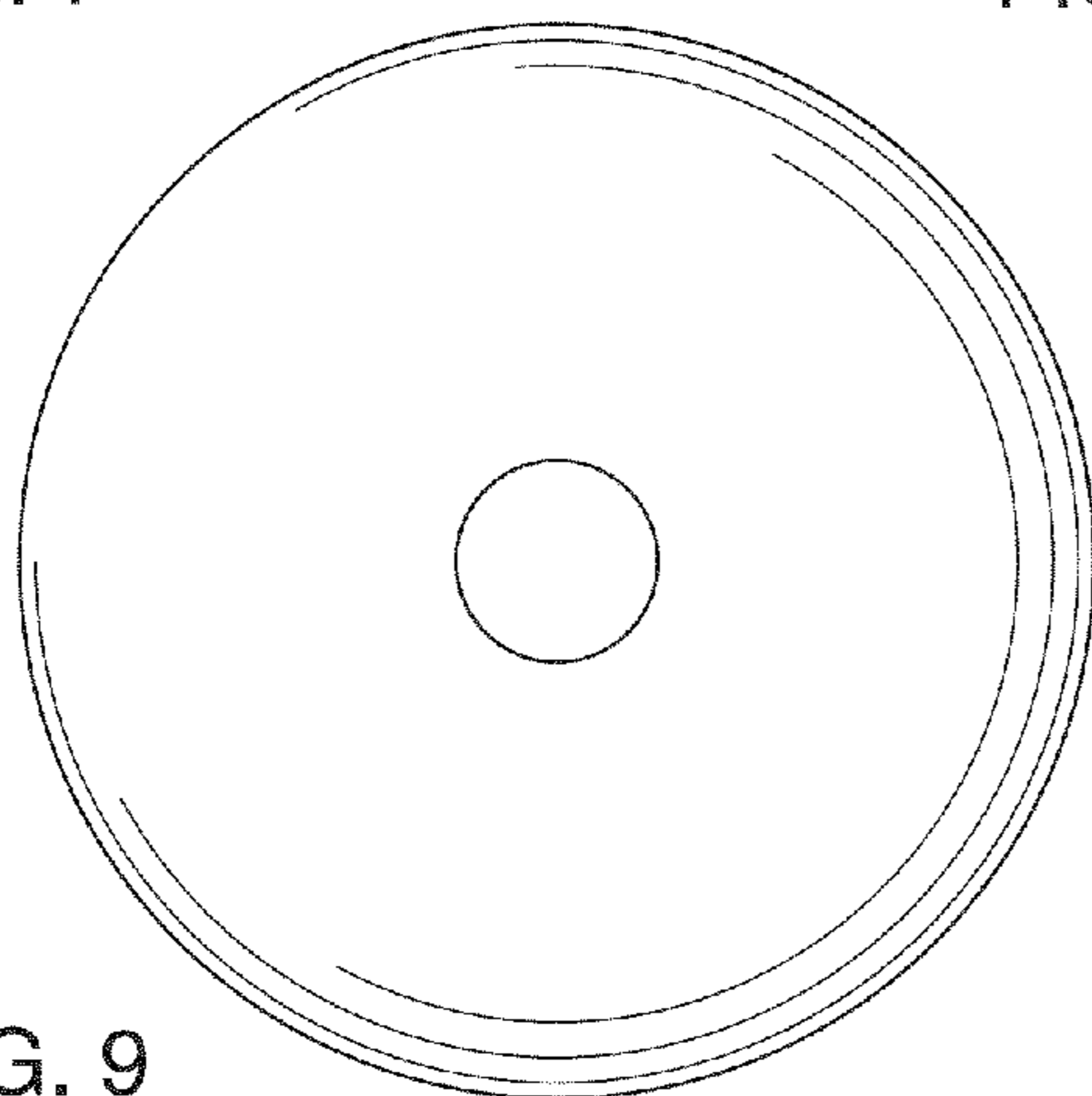


FIG. 9

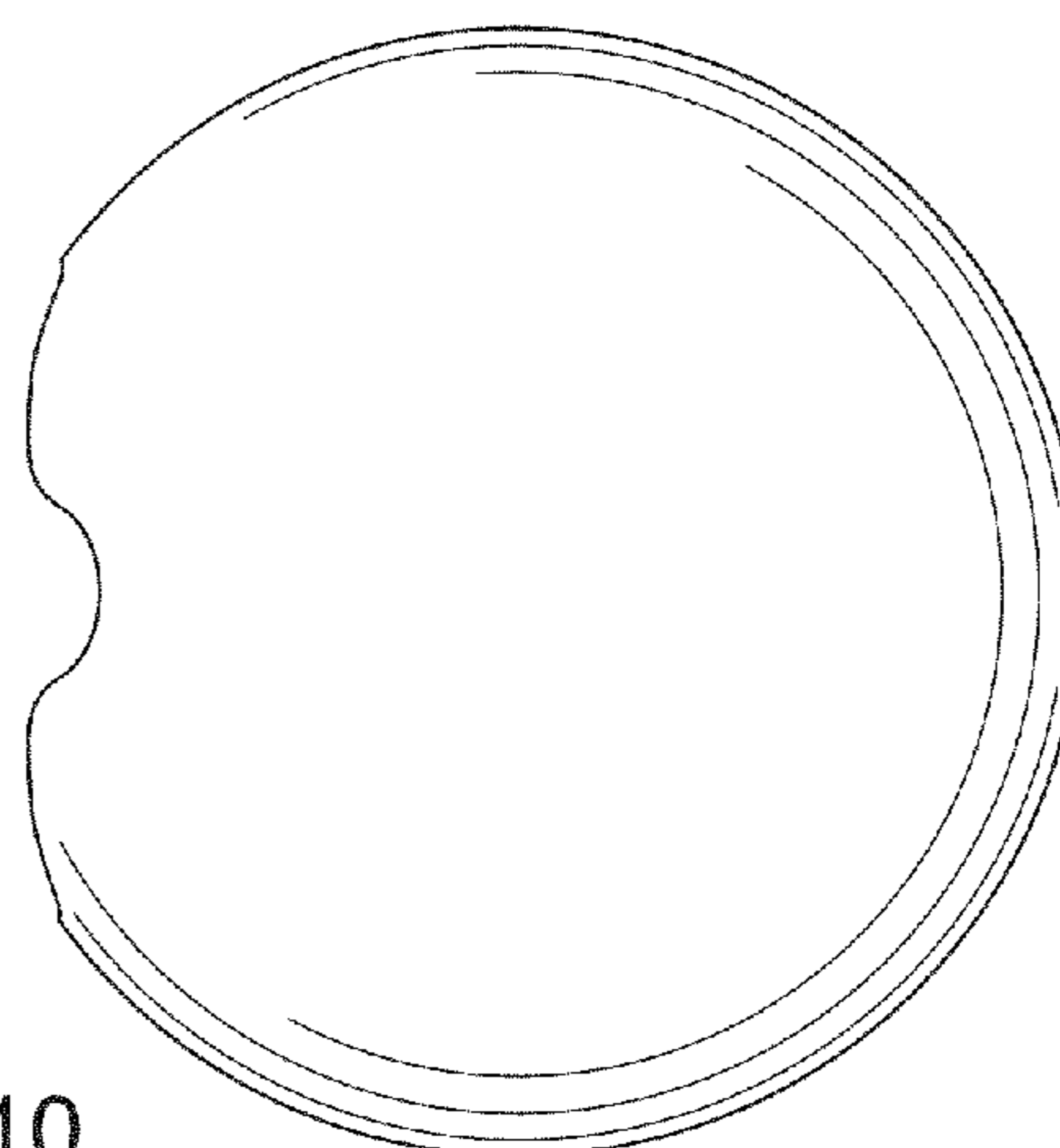


FIG. 10

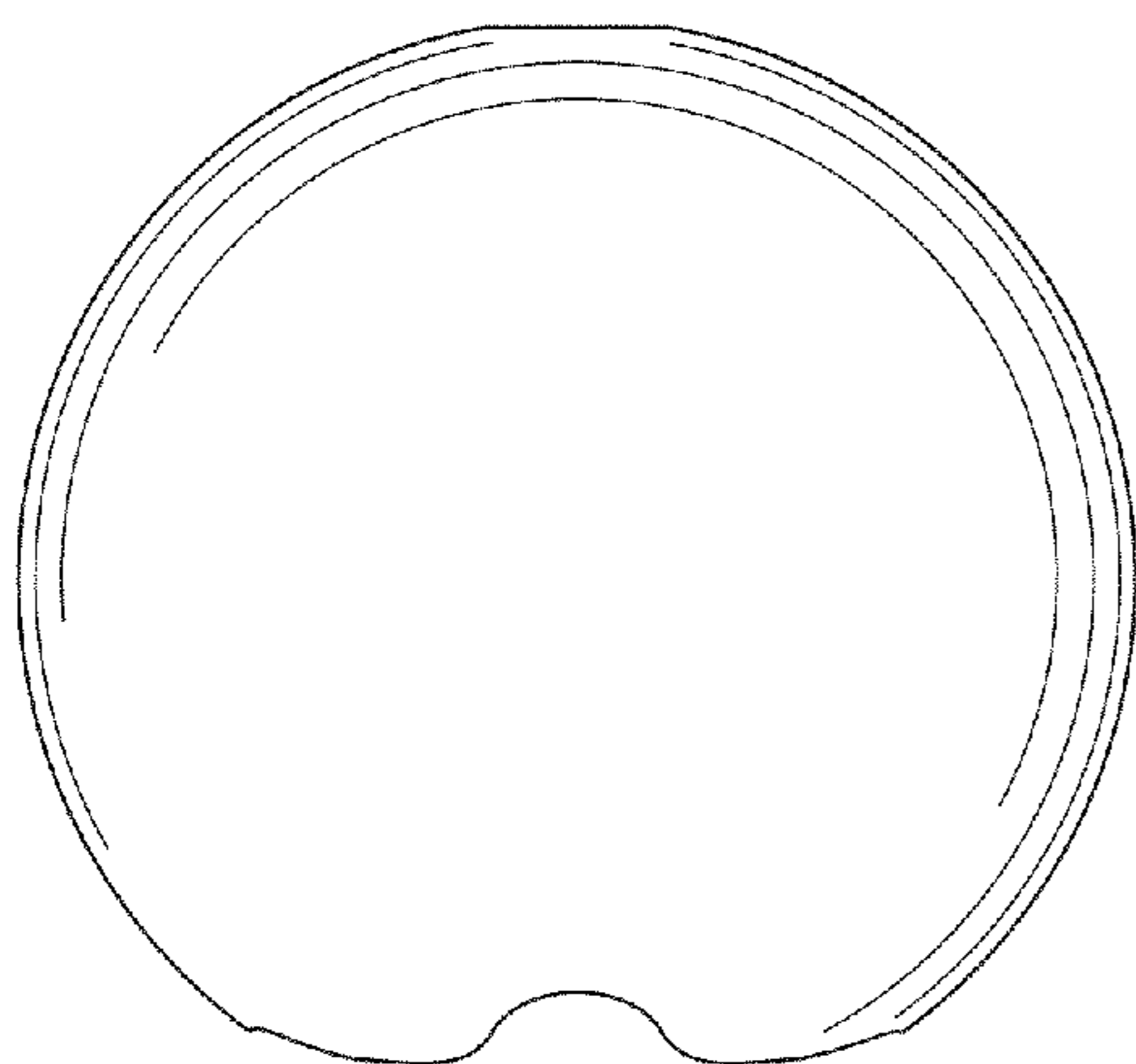


FIG. 11

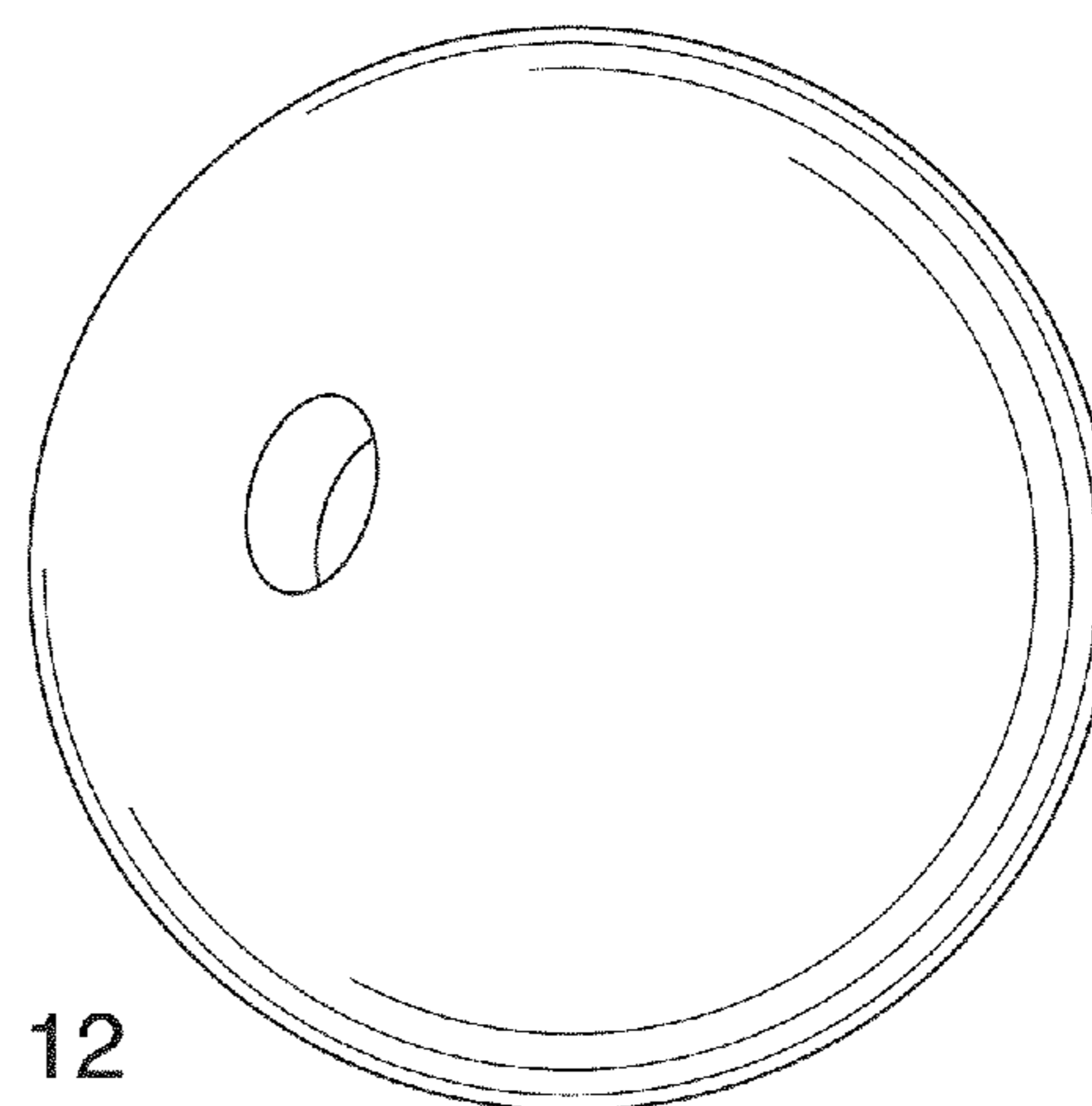


FIG. 12

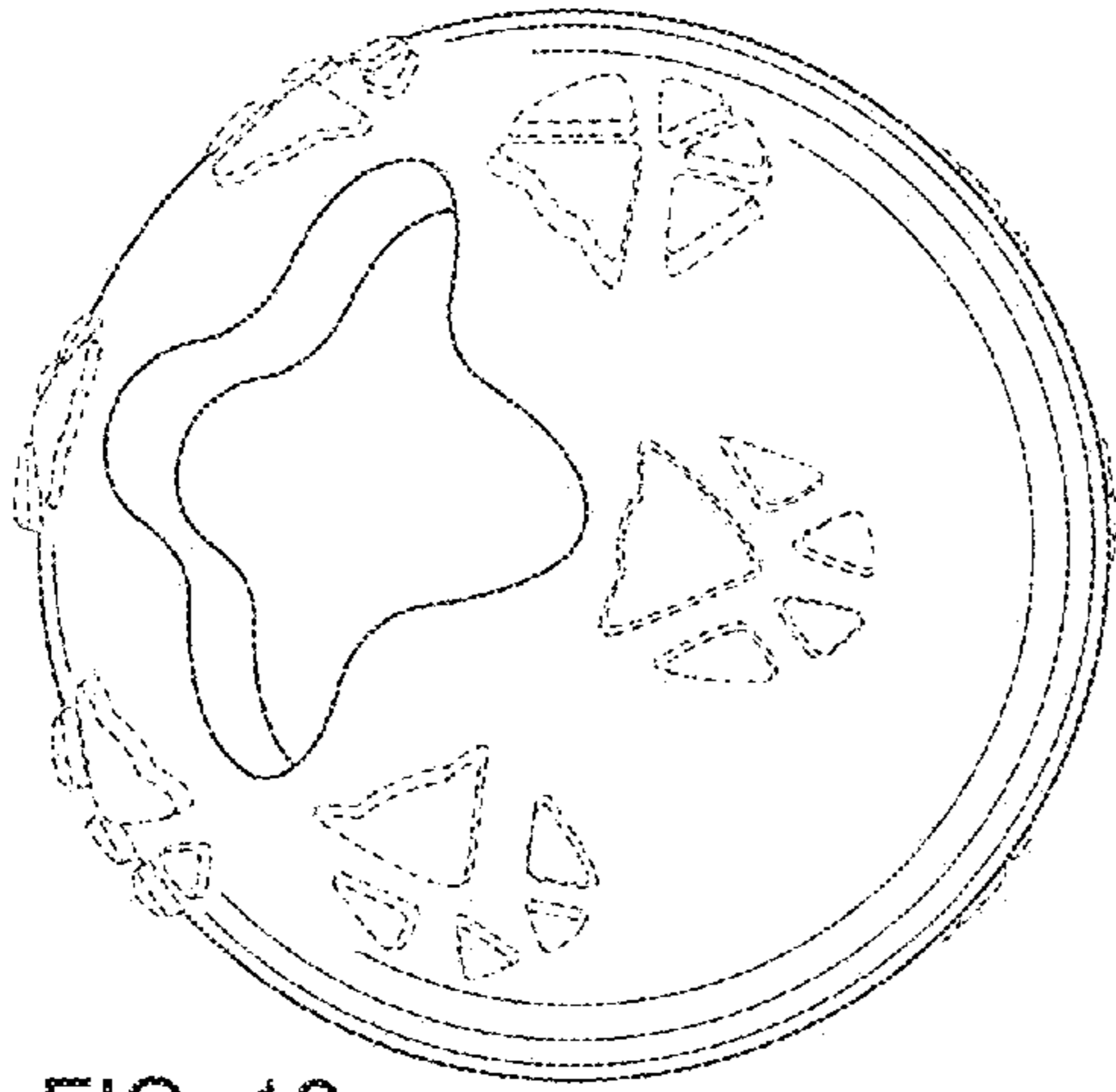


FIG. 13

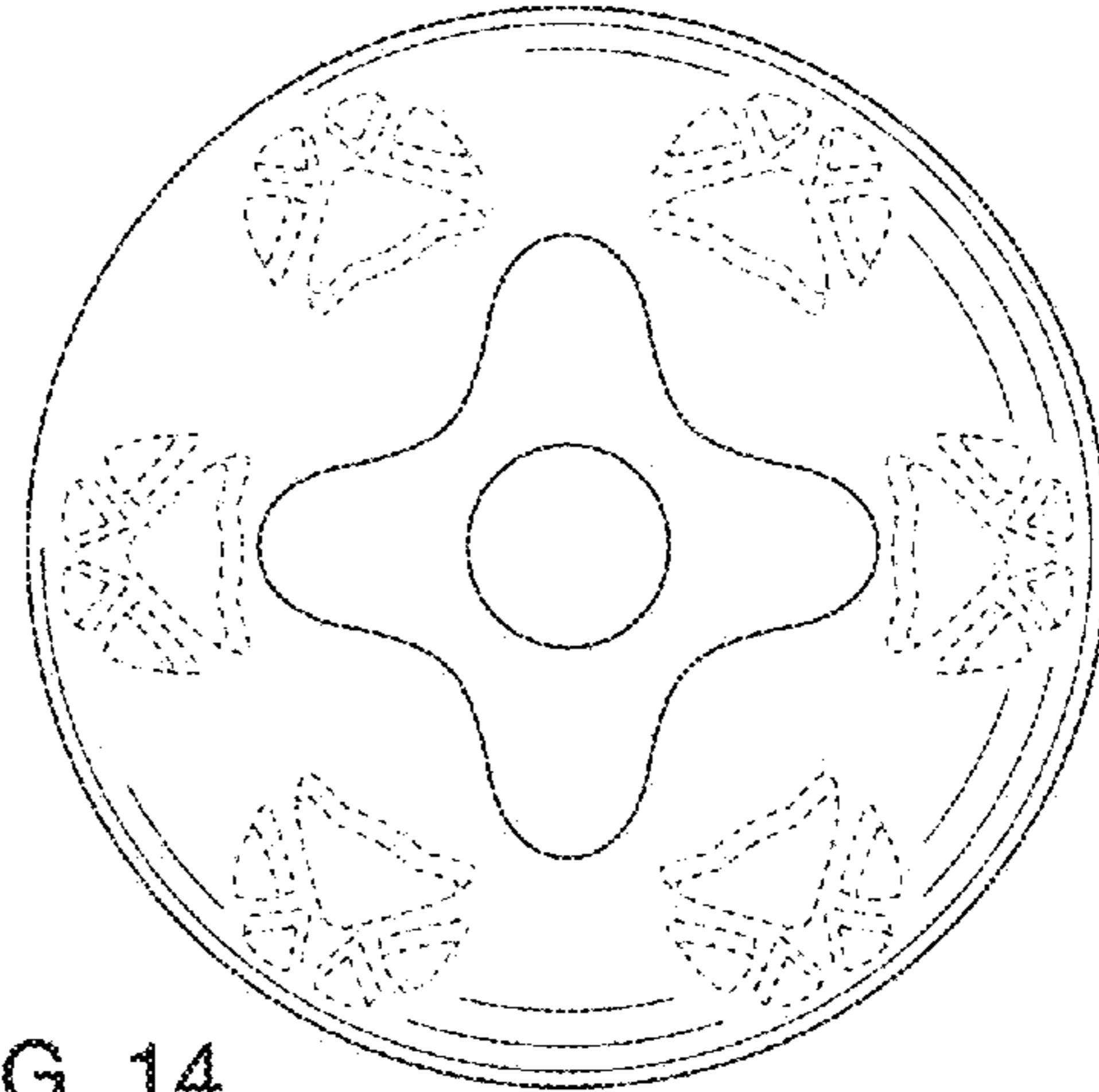


FIG. 14

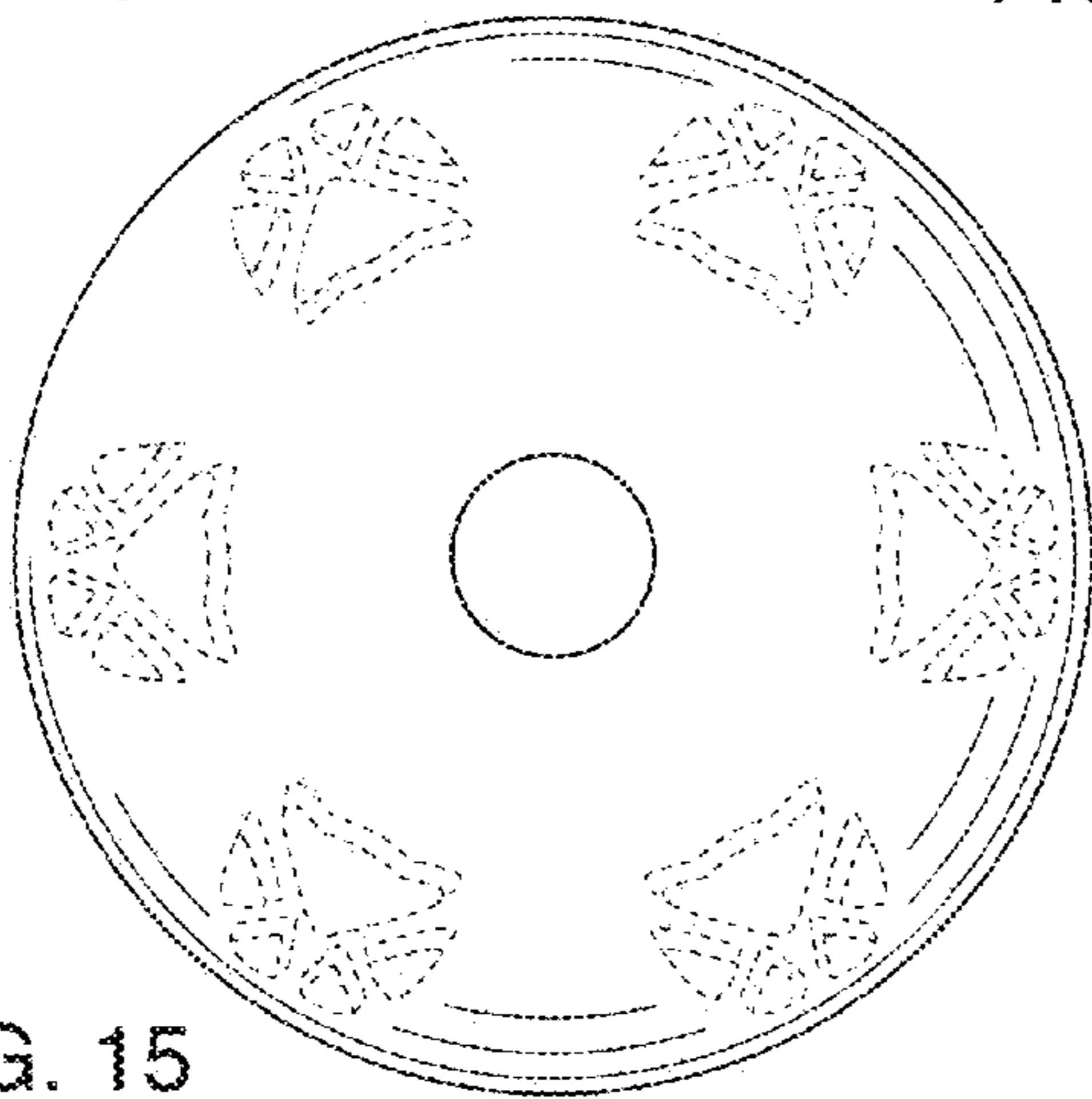


FIG. 15

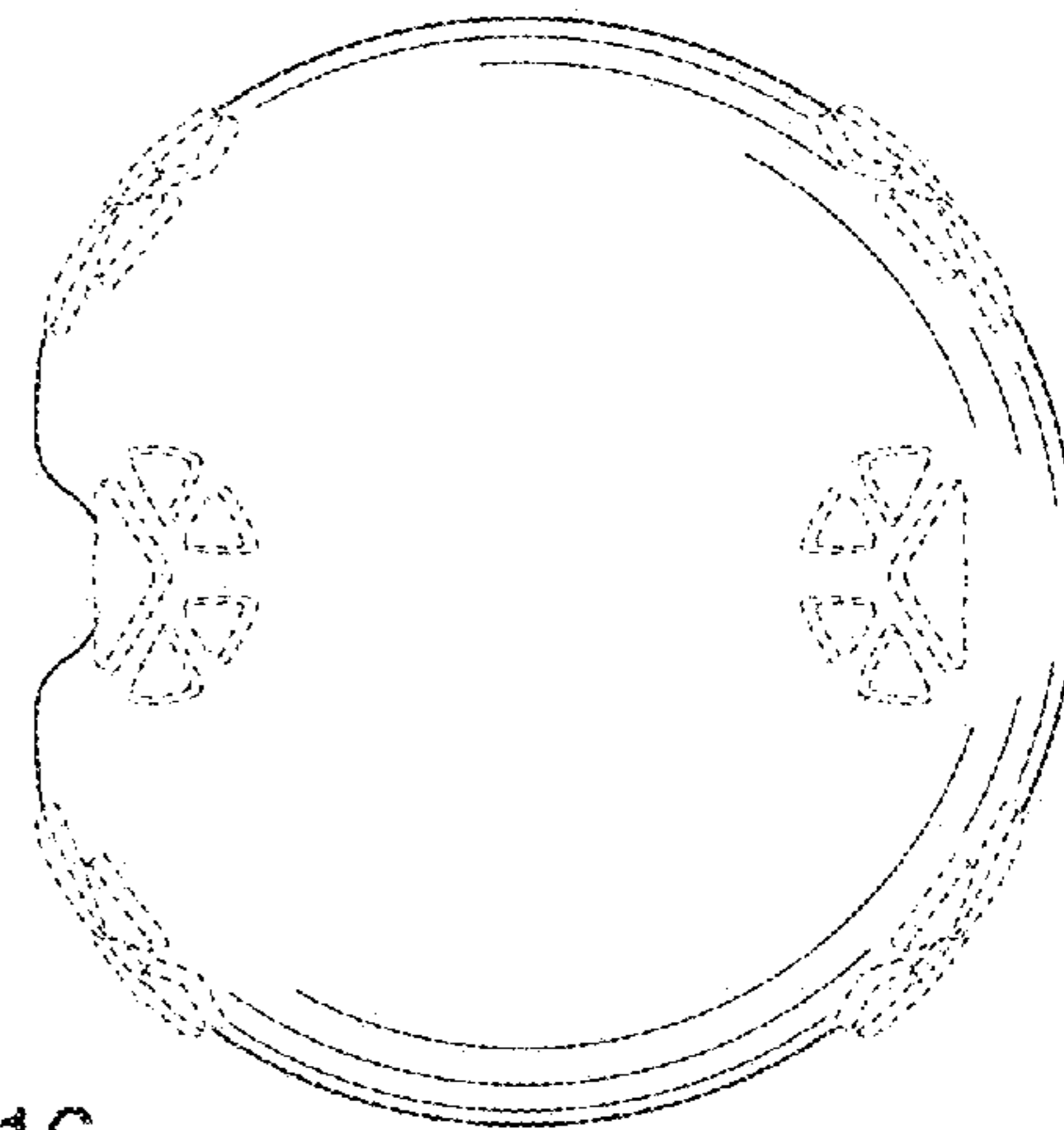


FIG. 16

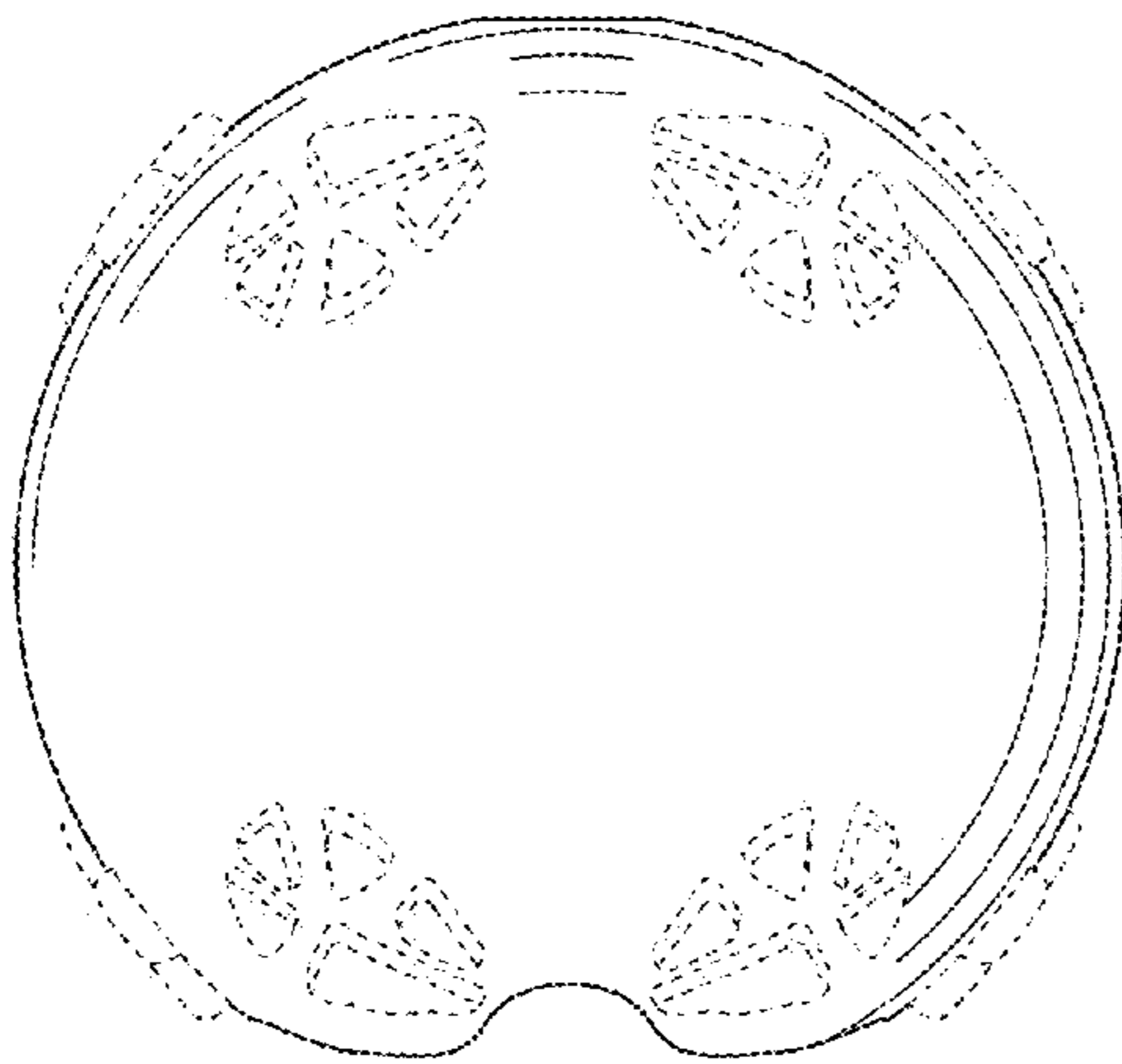


FIG. 17

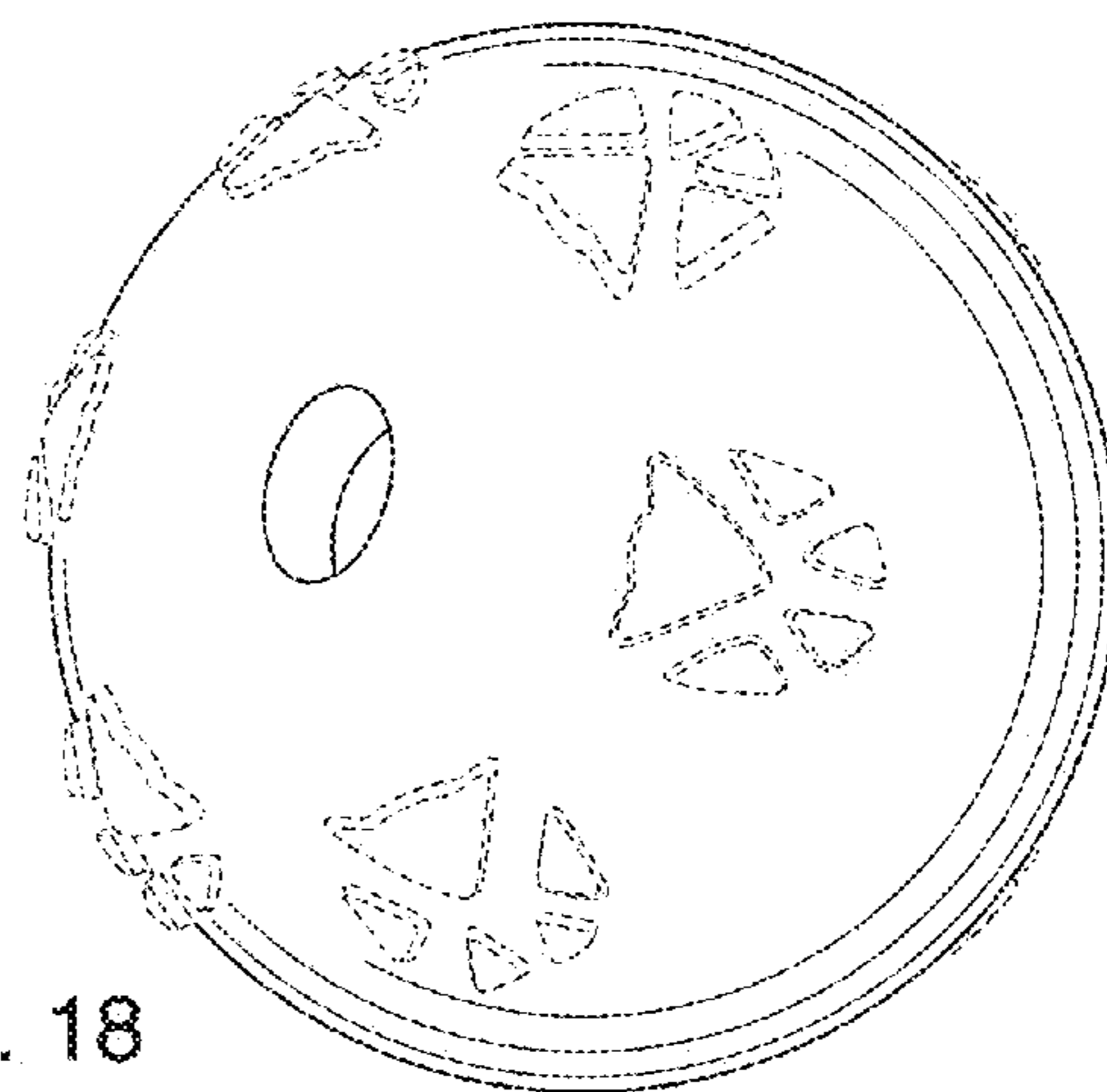


FIG. 18