

US00D691333S

(12) **United States Design Patent**  
**Voss et al.**

(10) **Patent No.:** **US D691,333 S**  
(45) **Date of Patent:** **\*\* Oct. 8, 2013**

(54) **COLLAR**

(71) Applicant: **Voss by Voss**, Gentofte (DK)

(72) Inventors: **Stine Voss**, Hellerup (DK); **Sanne Voss**, Hellerup (DK)

(73) Assignee: **Voss By Voss**, Gentofte (DK)

(\*\*) Term: **14 Years**

(21) Appl. No.: **29/438,229**

(22) Filed: **Nov. 28, 2012**

(51) **LOC (9) Cl.** ..... **30-04**

(52) **U.S. Cl.**

USPC ..... **D30/152**

(58) **Field of Classification Search**

USPC ..... D30/144, 145, 146, 151, 152, 153, D30/199; D2/767, 500, 507, 602, 603, 604, D2/609, 627, 629, 639; D3/207, 208, 215; D11/1-6, 11, 86, 87, 200, 201, 215, 218, D11/231; 2/105, 129, 131, 133, 141.1, 171, 2/242, 301, 311, 321, 322, 336, 338, 908, 2/910, 911, 912, 916, 919, 920; 119/174, 119/654, 769, 772, 791, 792, 793, 794, 795, 119/796, 797, 798, 815, 821, 850, 855, 856, 119/858-860, 863-865, 907; 63/1.12, 3, 63/3.1, 32, 35; 70/459; 362/555, 570

See application file for complete search history.

(56) **References Cited**

U.S. PATENT DOCUMENTS

732,289	A *	6/1903	Fischman	2/338
1,285,325	A *	11/1918	Nelson	2/308
4,141,322	A *	2/1979	Evans et al.	119/654
4,218,991	A *	8/1980	Cole	119/654
5,379,726	A *	1/1995	Mann	119/793
5,842,444	A *	12/1998	Perrulli	119/770
6,748,903	B1 *	6/2004	Price et al.	119/858
D540,494	S *	4/2007	Beyaz	D30/152
D556,389	S *	11/2007	Ohman	D30/152
D574,114	S *	7/2008	Ohman	D30/152
D578,256	S *	10/2008	Miller	D30/153
D637,789	S *	5/2011	Chandihok	D2/627

\* cited by examiner

*Primary Examiner* — Caron D Veynar

*Assistant Examiner* — Martie K Holtje

(74) *Attorney, Agent, or Firm* — Edell, Shapiro & Finnan, LLC

(57) **CLAIM**

The ornamental design for a collar, as shown and described.

**DESCRIPTION**

FIG. 1 is a top perspective view of a collar showing our new design;

FIG. 2 is a front end elevational view thereof;

FIG. 3 is a rear end elevational view thereof;

FIG. 4 is a top plan view thereof;

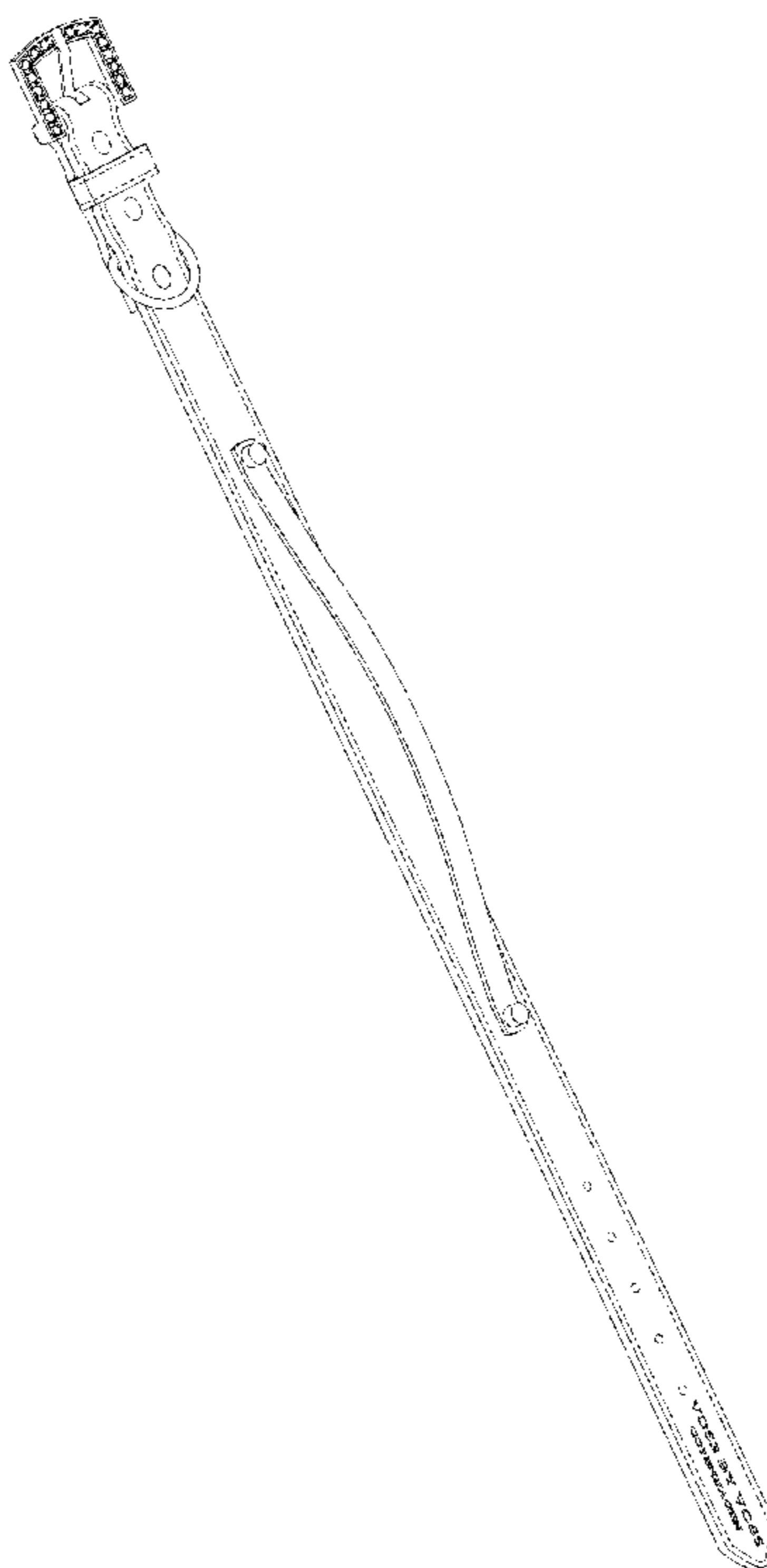
FIG. 5 is a bottom plan view thereof;

FIG. 6 is a right side elevational view thereof; and,

FIG. 7 is a left side elevational view thereof.

The dashed lines in the views represent stitching.

**1 Claim, 4 Drawing Sheets**



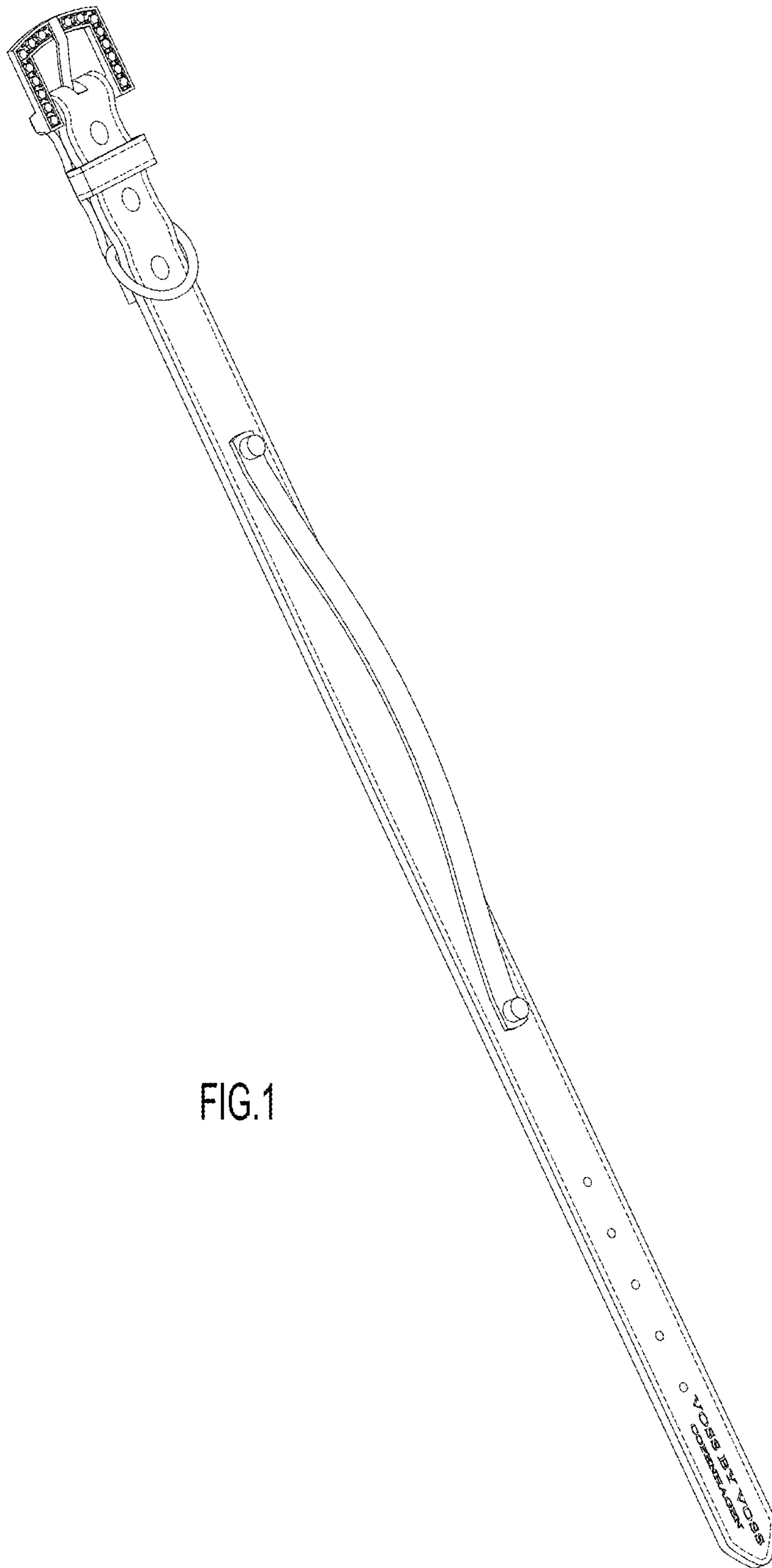


FIG.1

VOSS BY VOSS  
COMPTON

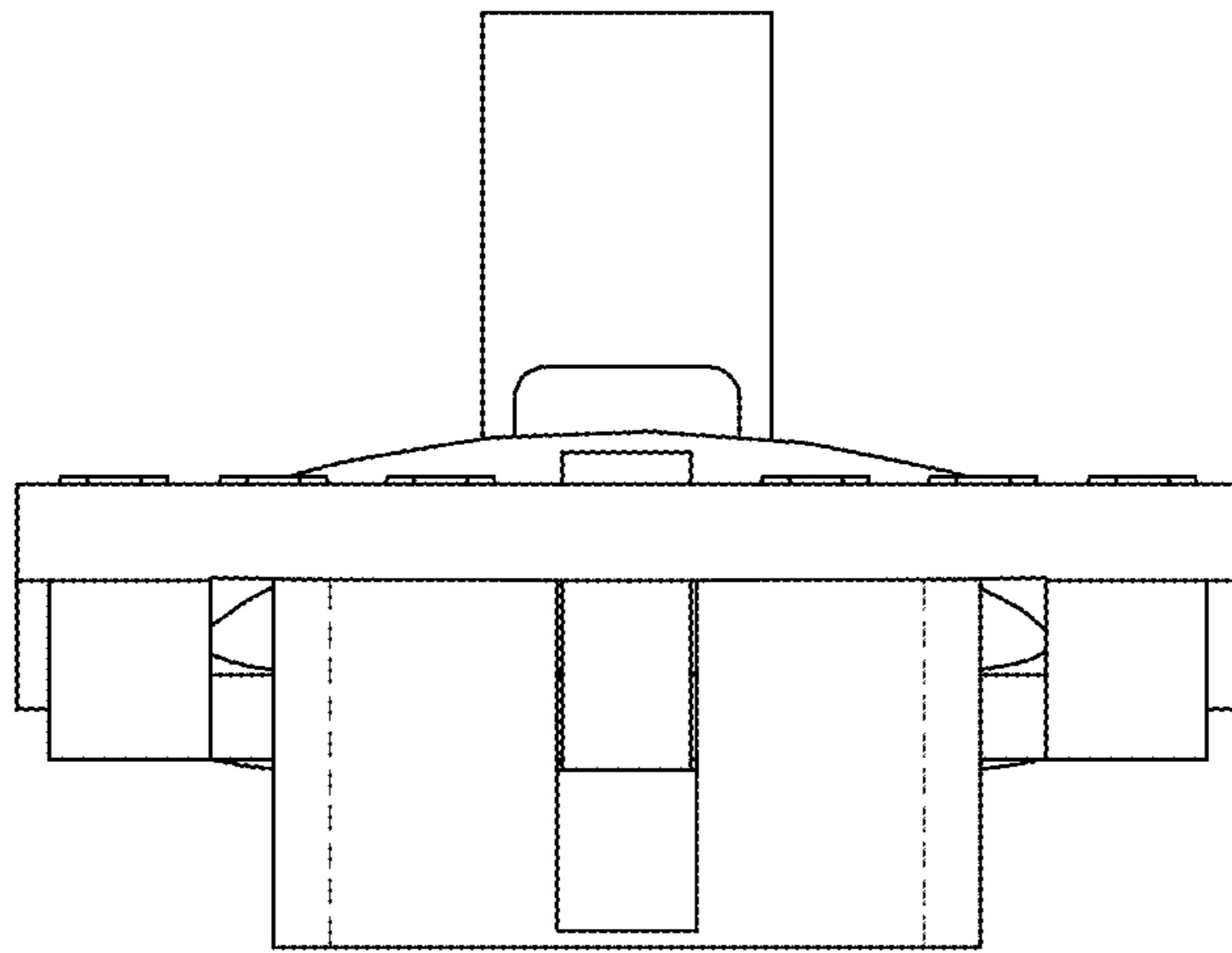


FIG.2

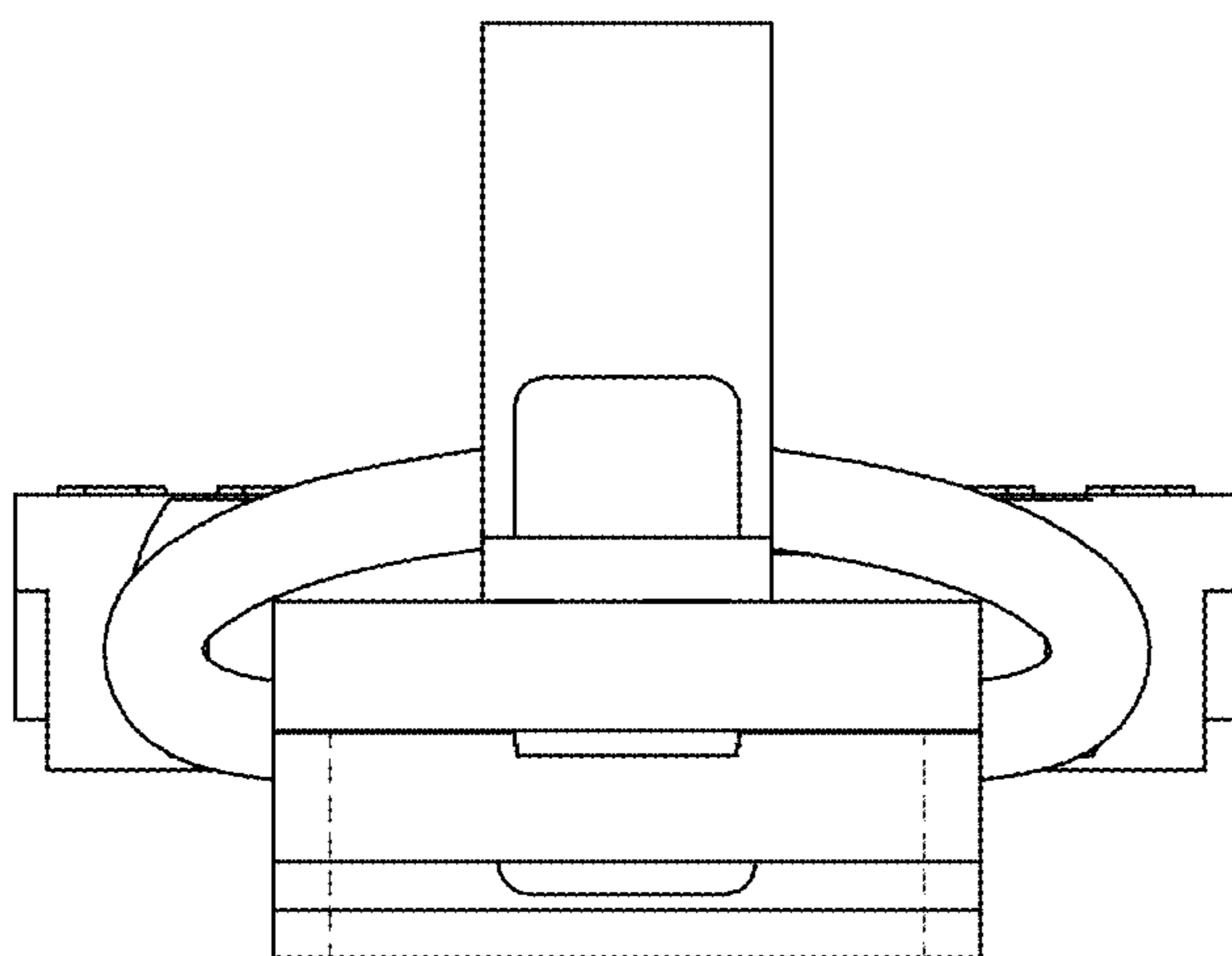


FIG.3

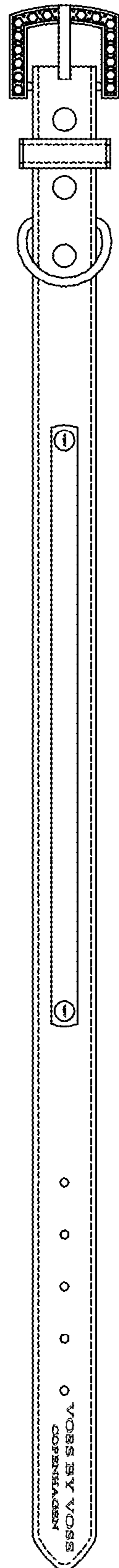


FIG. 4

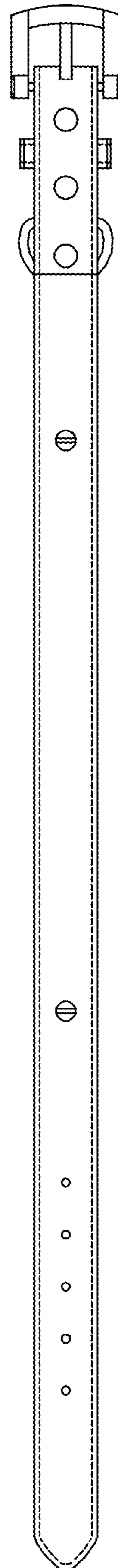


FIG. 5

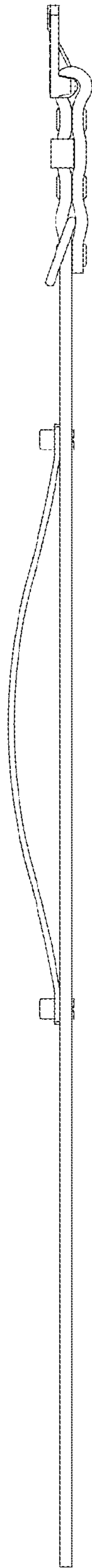


FIG. 6

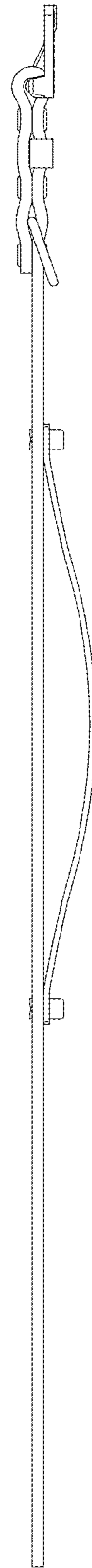


FIG. 7