

US00D691324S

(12) **United States Design Patent**  
**Saliman**

(10) **Patent No.:** **US D691,324 S**

(45) **Date of Patent:** **\*\* \*Oct. 8, 2013**

(54) **ELECTRONIC CIGARETTE**

(75) Inventor: **Sarmad Saliman**, El Cajon, CA (US)

(73) Assignee: **Ashlynn Marketing Group, Inc.**,  
Santee, CA (US)

(\*) Notice: This patent is subject to a terminal disclaimer.

(\*\*) Term: **14 Years**

(21) Appl. No.: **29/405,169**

(22) Filed: **Oct. 28, 2011**

(51) **LOC (9) Cl.** ..... **27-01**

(52) **U.S. Cl.**  
USPC ..... **D27/101**

(58) **Field of Classification Search**  
USPC ..... D27/163, 187, 162, 164, 165, 194,  
D27/139, 141, 143, 144, 157, 155, 153, 154,  
D27/156, 142, 159, 166, 167, 168, 169, 170,  
D27/101; 131/351, 185, 329, 173, 227, 194,  
131/175, 300; 431/255, 143, 253, 254, 153,  
431/132, 229

See application file for complete search history.

(56) **References Cited**

U.S. PATENT DOCUMENTS

4,393,884	A *	7/1983	Jacobs	.....	131/273
4,771,796	A *	9/1988	Myer	.....	131/273
6,532,965	B1 *	3/2003	Abhulimen et al.	.....	131/194
6,748,955	B2 *	6/2004	Snaidr et al.	.....	131/175
7,231,923	B2 *	6/2007	Adiga et al.	.....	131/194
D590,989	S *	4/2009	Hon	.....	D27/101
D624,238	S *	9/2010	Turner	.....	D27/101
D642,330	S *	7/2011	Turner	.....	D27/101
D644,375	S *	8/2011	Zhou	.....	D27/101
2005/0016550	A1 *	1/2005	Katase	.....	131/194
2006/0254604	A1 *	11/2006	Martinez Fernandez	.....	131/273

\* cited by examiner

*Primary Examiner* — Kevin Rudzinski

(74) *Attorney, Agent, or Firm* — John Alumit

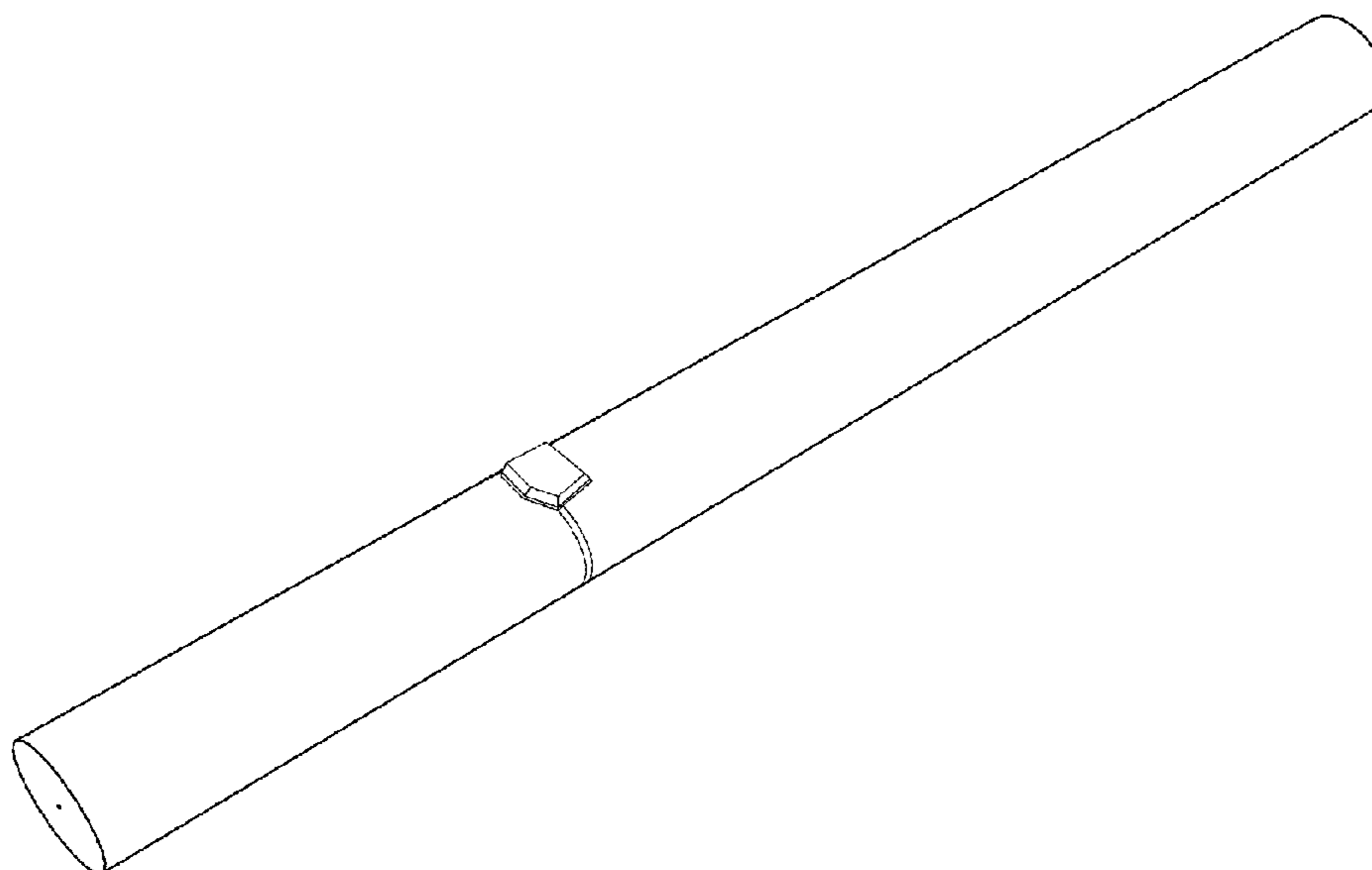
(57) **CLAIM**

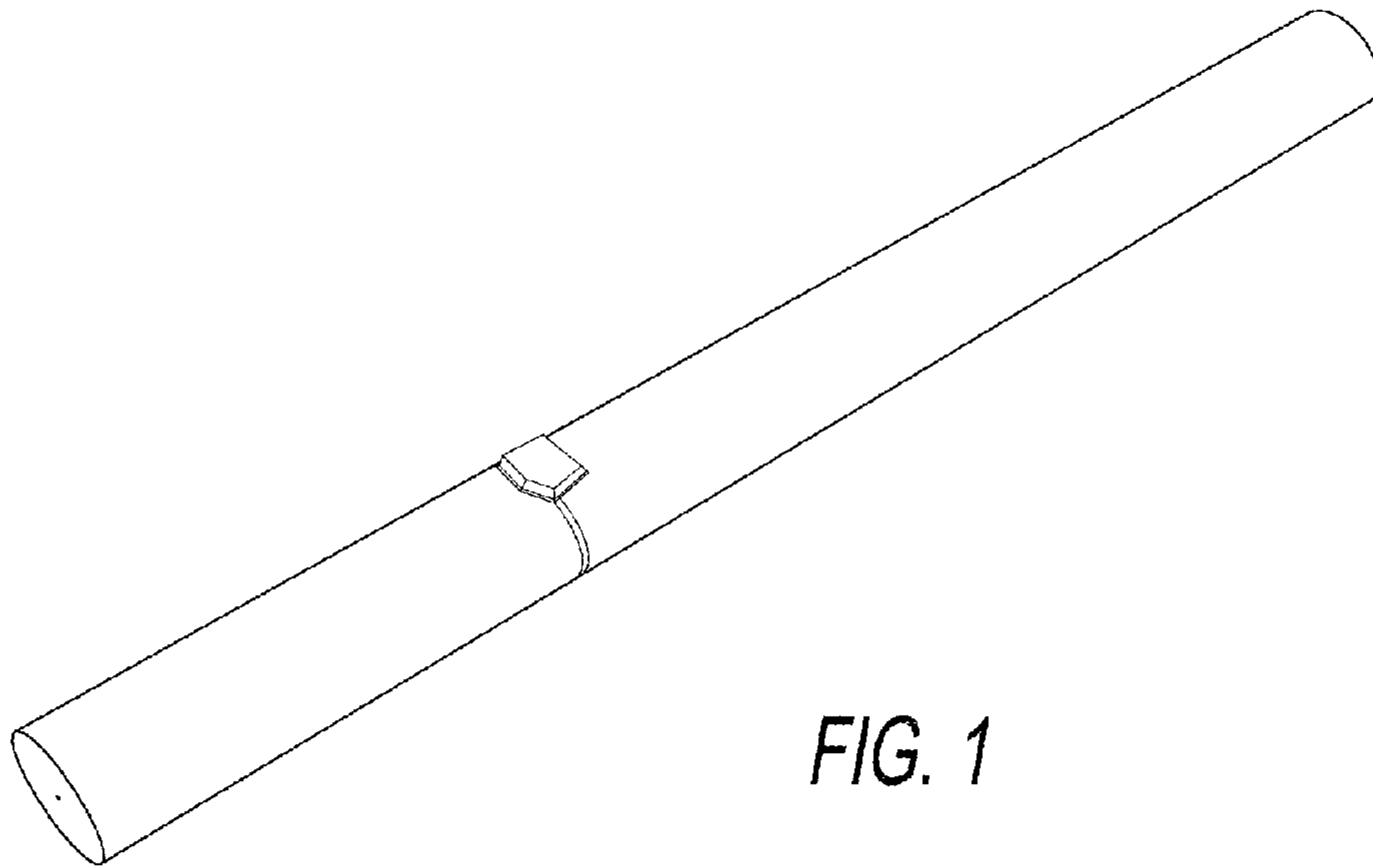
The ornamental design for an electronic cigarette, as shown and described.

**DESCRIPTION**

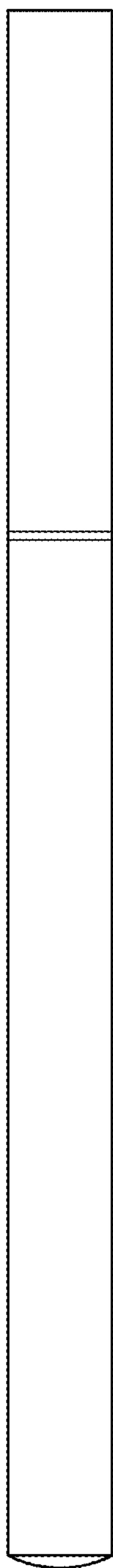
FIG. 1 is a top perspective view of the electronic cigarette showing my new design;  
FIG. 2 is a back view of the electronic cigarette;  
FIG. 3 is a front view of the electronic cigarette;  
FIG. 4 is a right side view of the electronic cigarette;  
FIG. 5 is a top view of the electronic cigarette; and,  
FIG. 6 is a bottom view of the electronic cigarette.  
The left side view is a mirror image of FIG. 4.

**1 Claim, 3 Drawing Sheets**





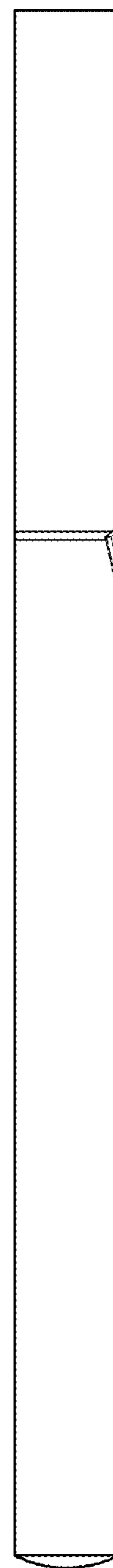
*FIG. 1*



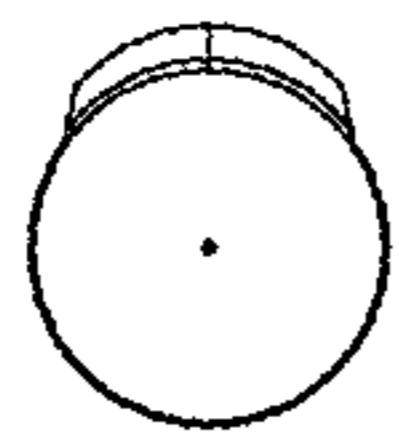
*FIG. 2*



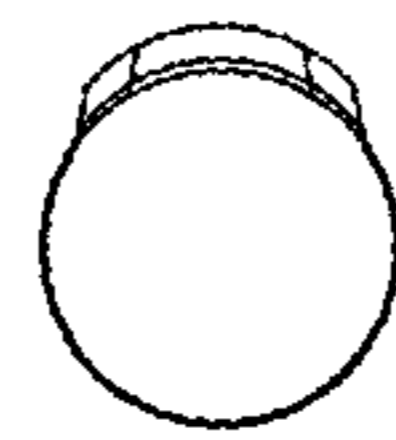
*FIG. 3*



*FIG. 4*



*FIG. 5*



*FIG. 6*