

US00D691323S

(12) **United States Design Patent**
Tang et al.

(10) **Patent No.:** **US D691,323 S**
(45) **Date of Patent:** **** Oct. 8, 2013**

(54) **LED OPTICAL LENS**

(75) Inventors: **Te-Lung Tang**, New Taipei (TW);
Chih-Ming Wei, New Taipei (TW)

(73) Assignees: **Ledlink Optics, Inc.**, New Taipei (TW);
Ledlink Optics (Dong Guan) Co., Ltd.,
Guangdong (CN); **Yang Zhou Ledlink**
Optics Co., Ltd., Jiangsu Province (CN)

(**) Term: **14 Years**

(21) Appl. No.: **29/426,490**

(22) Filed: **Jul. 6, 2012**

(51) **LOC (9) Cl.** **26-99**

(52) **U.S. Cl.**
USPC **D26/124**

(58) **Field of Classification Search**
USPC D26/154, 155, 152, 142, 151, 153,
D26/113, 119, 122, 123, 124, 138, 139, 145,
D26/148, 146, 147, 121, 125, 126, 74, 75,
D26/144, 150, 141, 118, 120, 128, 129, 132,
D26/135, 71, 72, 85, 62, 65, 64, 24, 1, 2,
D26/66, 67, 68, 73, 89, 86, 87, 88, 25, 26,
D26/61, 63, 69, 76, 77, 78, 79, 90, 91, 84,
D26/92, 49, 37, 38, 39; D13/179, 180, 171,
D13/173; D11/90, 121, 89; 63/32; 362/253,
362/257, 333, 326, 169, 187, 307, 327, 308,
362/309, 362, 337, 208, 158; 16/442; 359/708,
359/641, 726; D6/581; D9/452, 435, 453,
D9/443

See application file for complete search history.

D465,599 S * 11/2002 Thompson D26/89
D480,384 S * 10/2003 Fuse D14/217
7,153,000 B2 * 12/2006 Park et al. 362/268
D544,117 S * 6/2007 Coushaine D26/37
D575,883 S * 8/2008 Park D26/2
D578,671 S * 10/2008 Kanayama et al. D26/1
D579,424 S * 10/2008 Kim et al. D13/180
D593,224 S * 5/2009 Hanley D26/2
D598,579 S * 8/2009 Hanley D26/1
D599,390 S * 9/2009 Takishima D16/135
D602,060 S * 10/2009 Takishima D16/135
D603,438 S * 11/2009 Takishima D16/135
D618,383 S * 6/2010 Zhang et al. D26/120
D618,636 S * 6/2010 Hsieh D13/180
D619,753 S * 7/2010 Zhang et al. D26/120
D634,883 S * 3/2011 Kim et al. D26/120
D646,004 S * 9/2011 VanderSchuit D26/24
D647,228 S * 10/2011 Feigenbaum D26/24
D666,353 S * 8/2012 Lin et al. D26/124
D678,598 S * 3/2013 Wu et al. D26/120
2008/0001160 A1 * 1/2008 Andrews 257/79
2008/0203412 A1 * 8/2008 Shyu et al. 257/98

* cited by examiner

Primary Examiner — Kevin Rudzinski
(74) *Attorney, Agent, or Firm* — Rosenberg, Klein & Lee

(57) **CLAIM**
The ornamental design for a “LED optical lens,” as shown and described.

DESCRIPTION

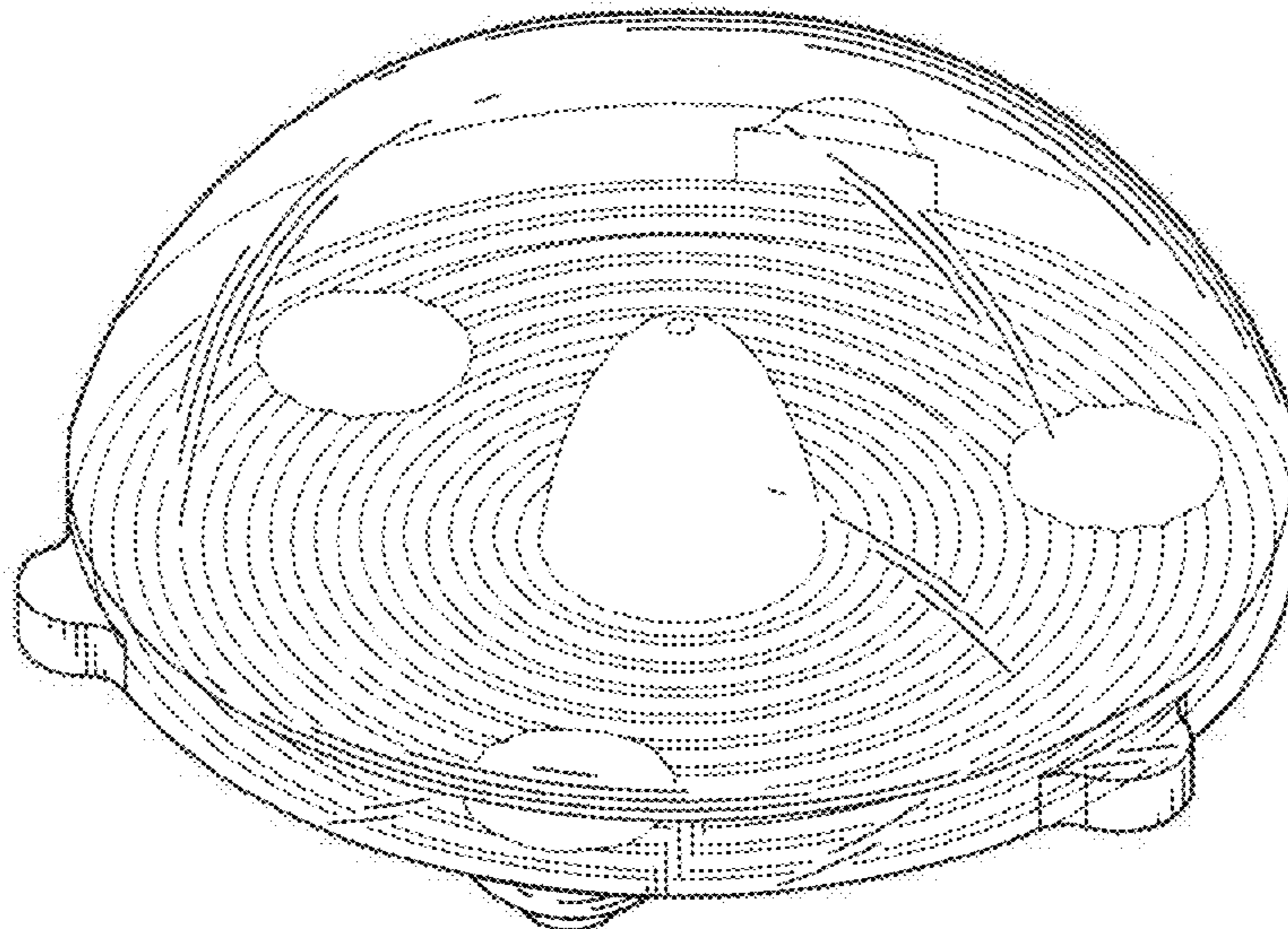
FIG. 1. is a perspective view of a “LED optical lens” showing my new design;
FIG. 2 is a front view thereof;
FIG. 3 is a rear view thereof;
FIG. 4 is a left side view thereof;
FIG. 5 is a right side view thereof;
FIG. 6 is a top view thereof; and,
FIG. 7 is a bottom view thereof.

1 Claim, 5 Drawing Sheets

(56) **References Cited**

U.S. PATENT DOCUMENTS

D284,104 S * 6/1986 Martino D26/24
D367,829 S * 3/1996 Takigawa D10/132



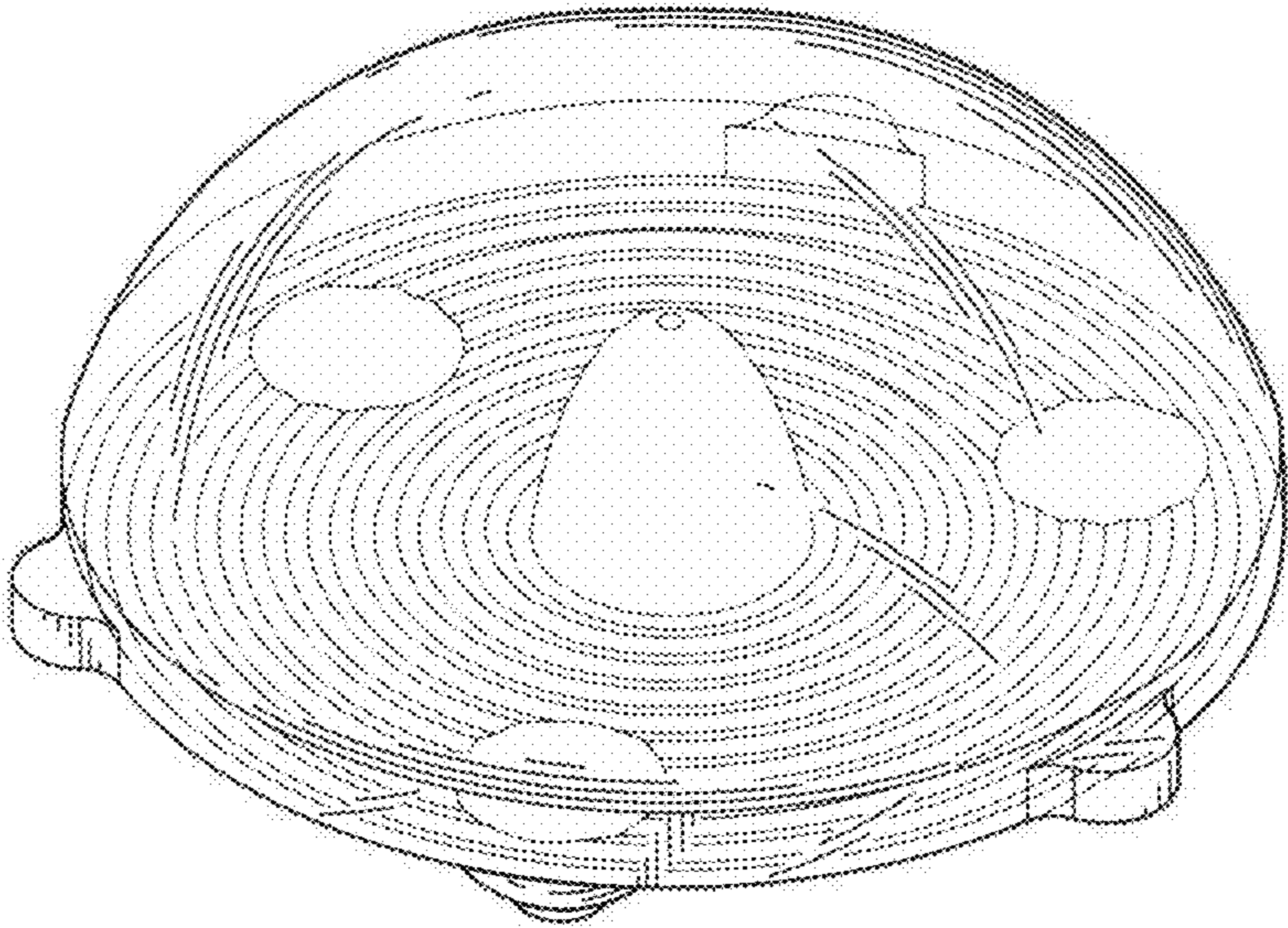


FIG. 1

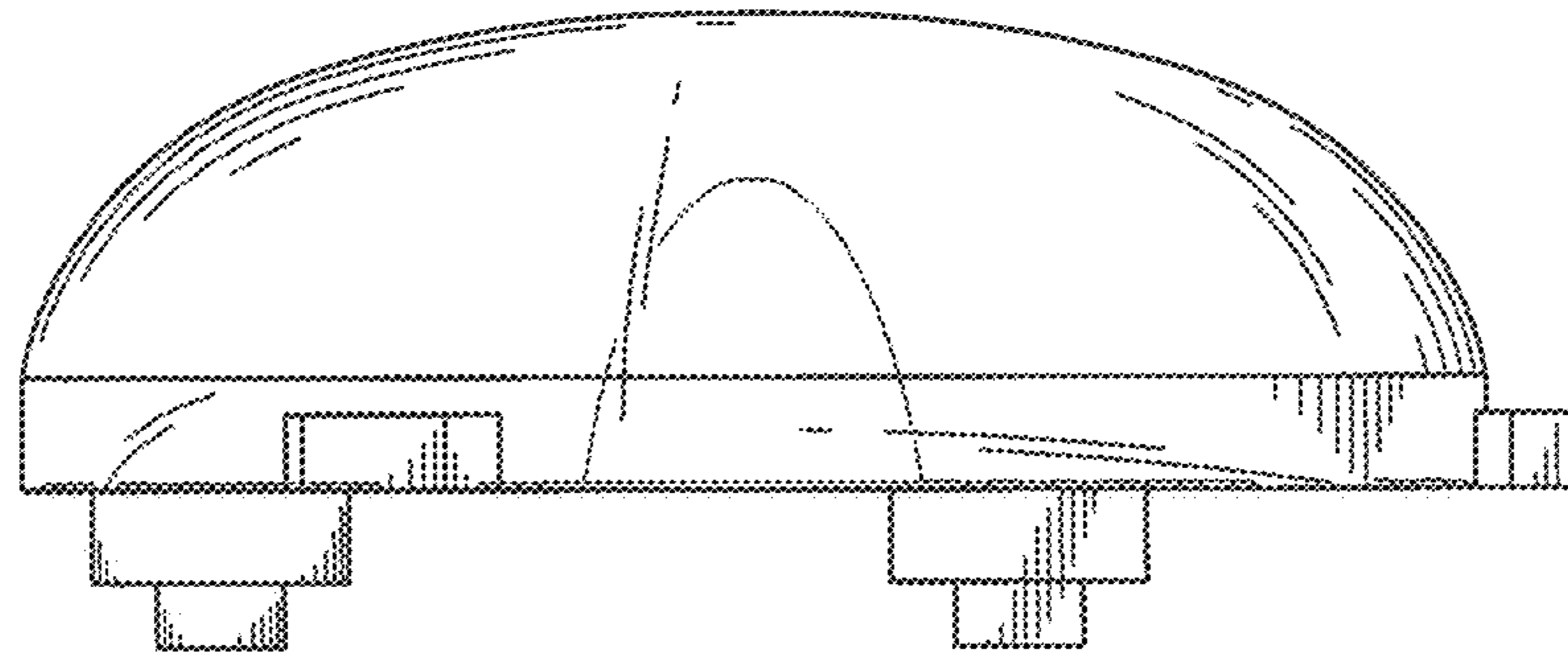


FIG. 2

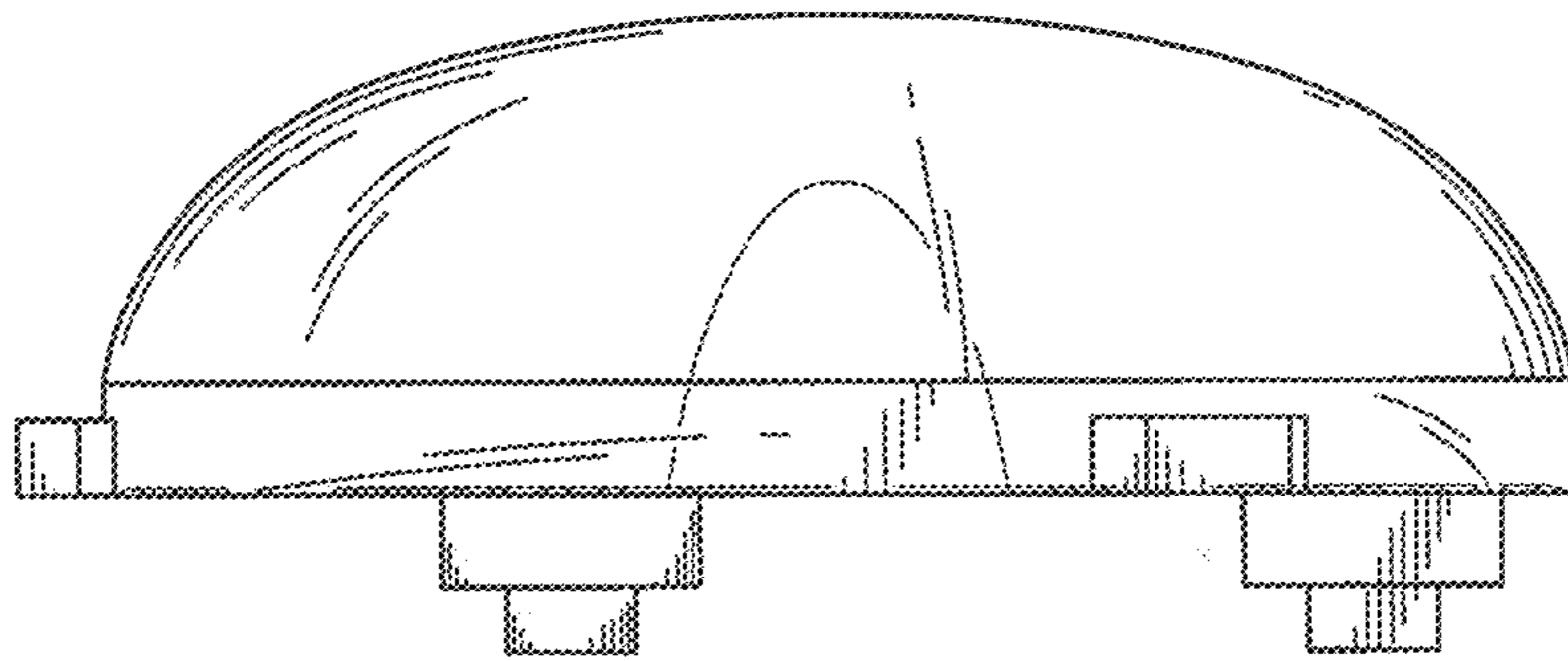


FIG. 3

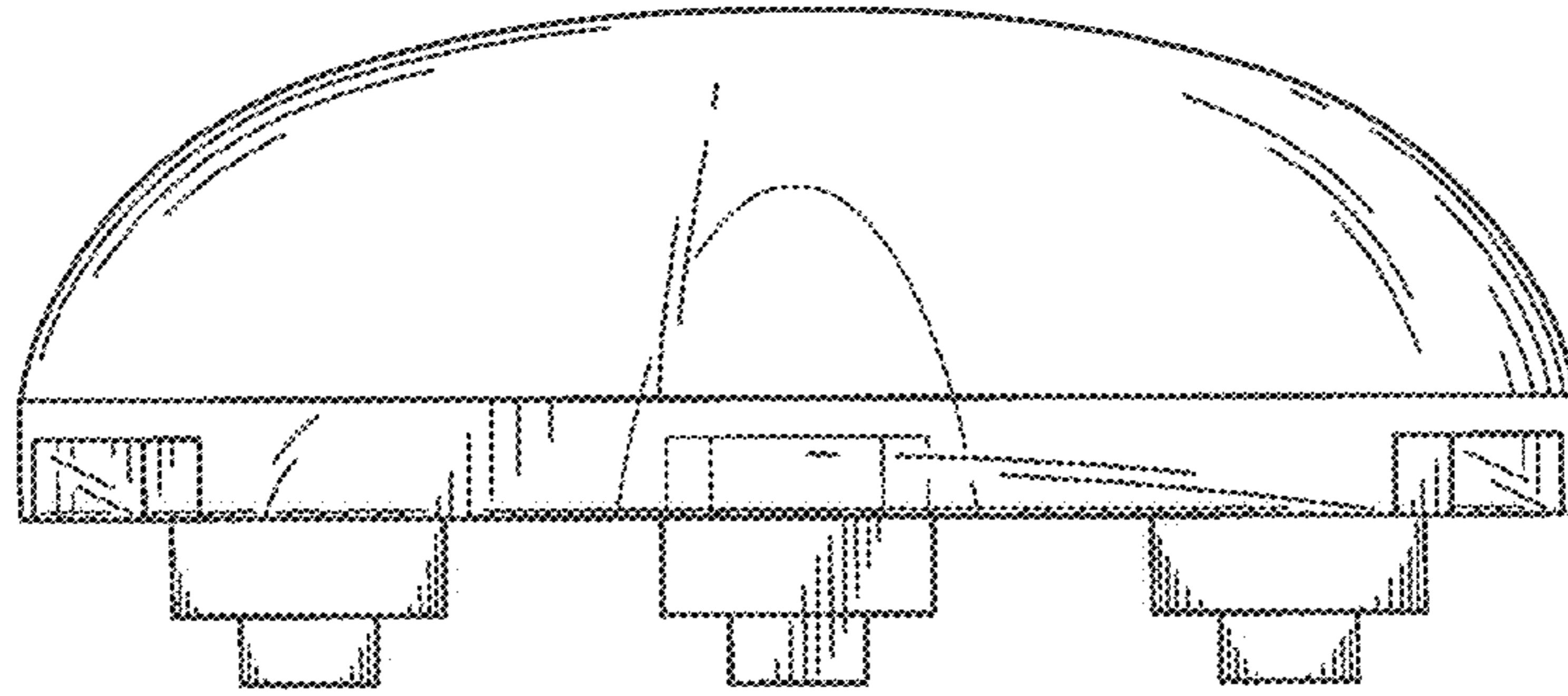


FIG. 4

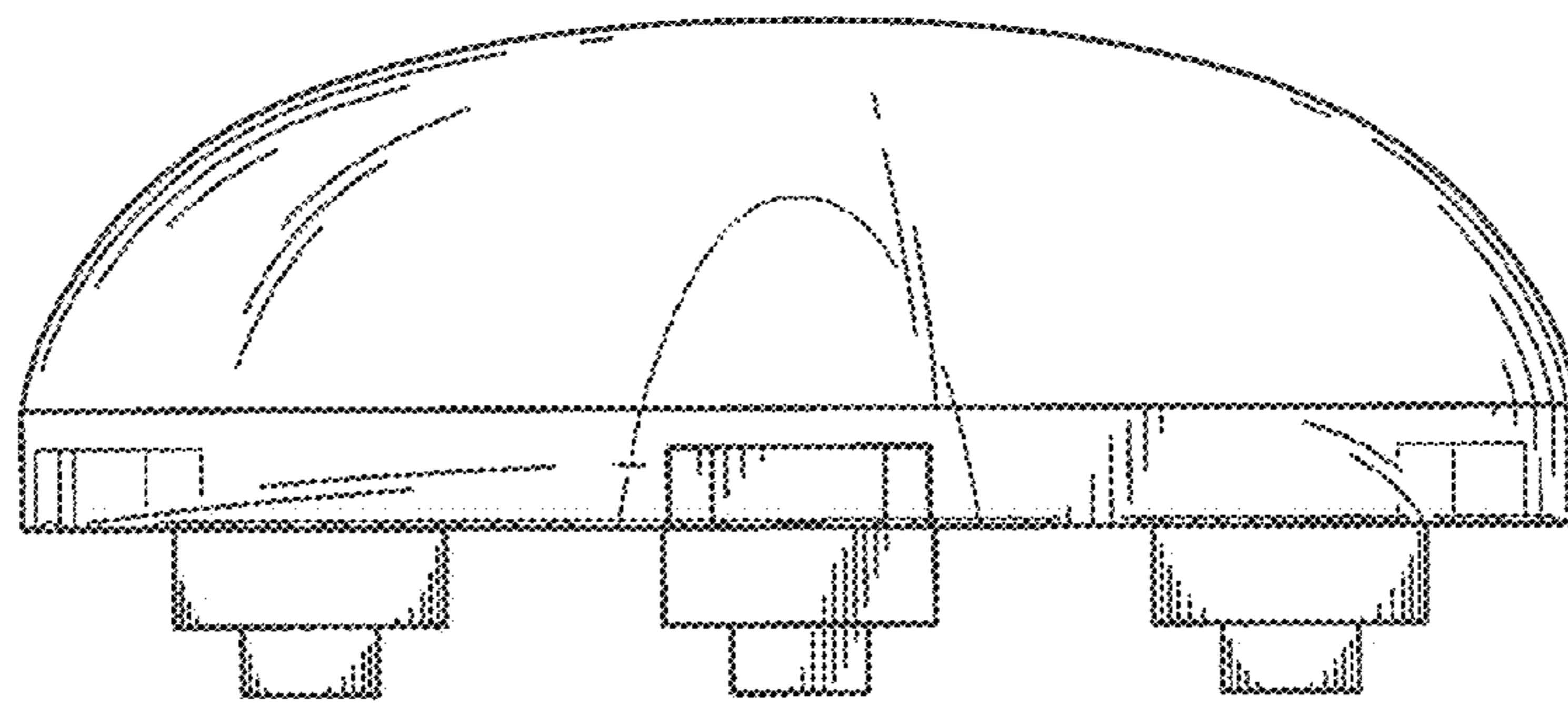


FIG. 5

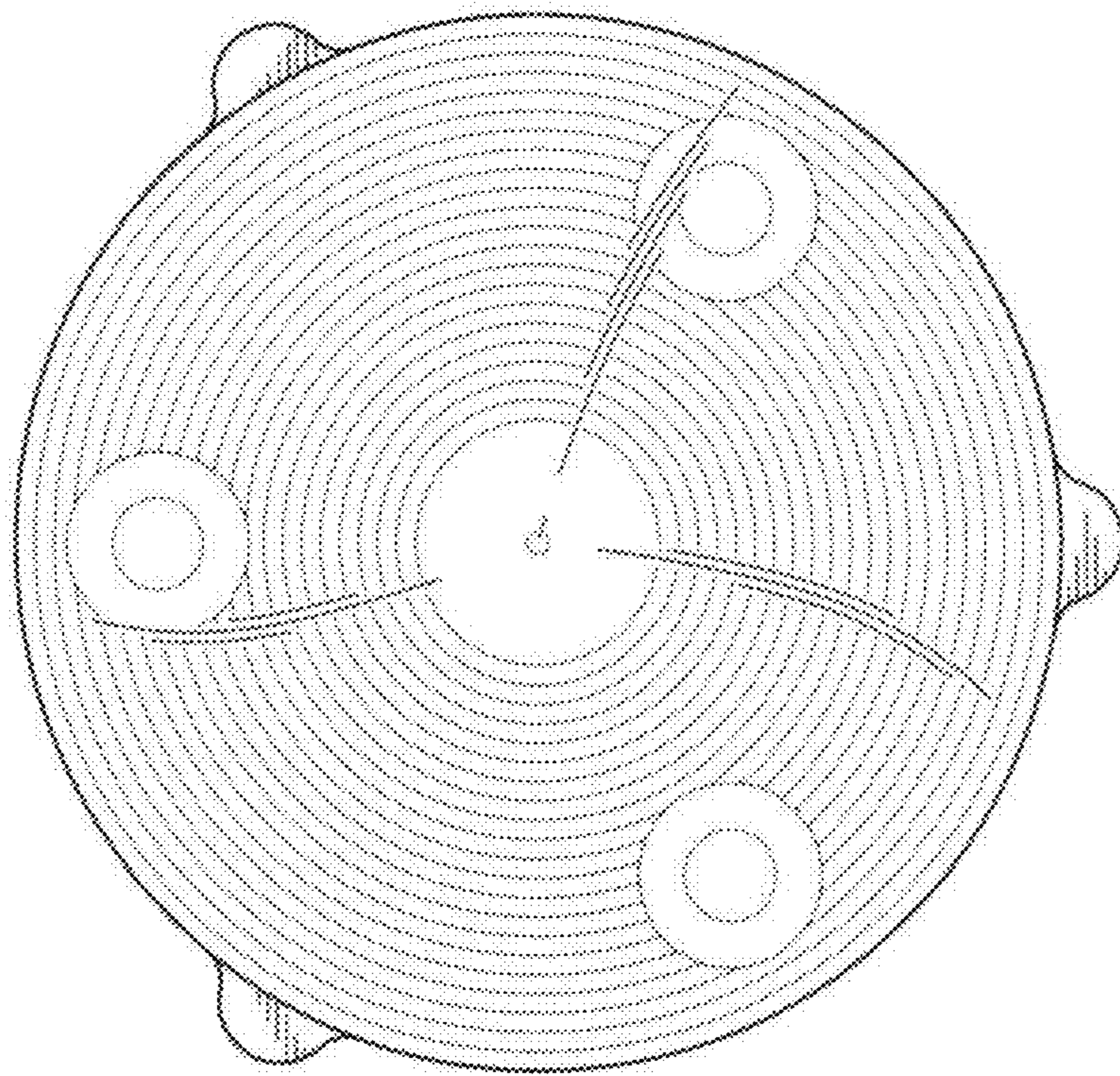


FIG. 6

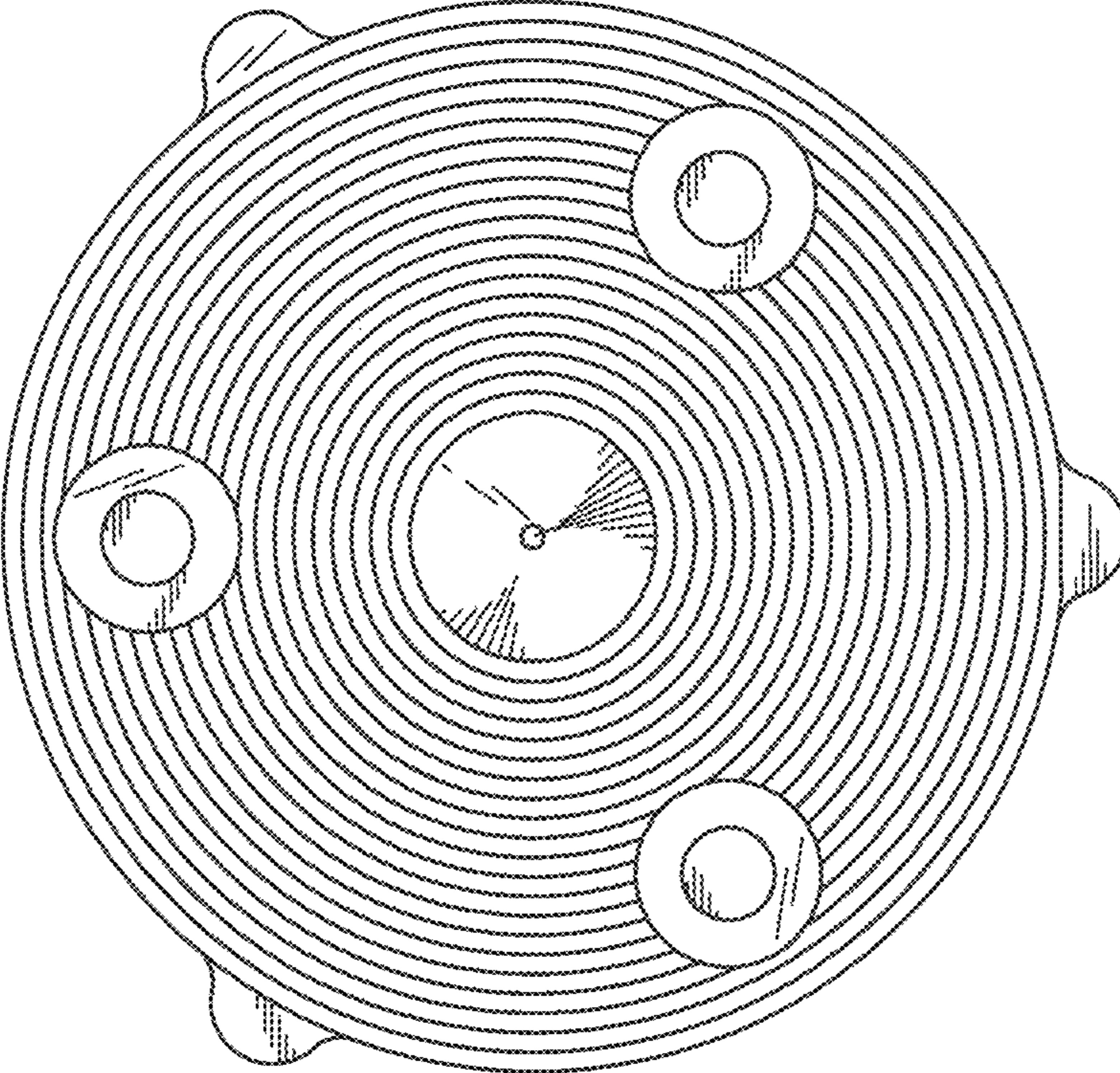


FIG. 7