

US00D691322S

(12) **United States Design Patent**  
**Tang et al.**

(10) **Patent No.:** **US D691,322 S**  
(45) **Date of Patent:** **\*\* Oct. 8, 2013**

- (54) **LED OPTICAL LENS**
- (75) Inventors: **Te-Lung Tang**, New Taipei (TW);  
**Chih-Ming Wei**, New Taipei (TW)
- (73) Assignees: **Ledlink Optics, Inc.**, New Taipei (TW);  
**Ledlink Optics (Dong Guan) Co., Ltd.**,  
Guangdong (CN); **Yang Zhou Ledlink**  
**Optics Co., Ltd.**, Jiangsun Province  
(CN)
- (\*\*) Term: **14 Years**
- (21) Appl. No.: **29/426,489**
- (22) Filed: **Jul. 6, 2012**
- (51) **LOC (9) Cl.** ..... **26-99**
- (52) **U.S. Cl.**  
USPC ..... **D26/124**
- (58) **Field of Classification Search**  
USPC ..... D26/154, 155, 152, 142, 151, 153,  
D26/113, 119, 122, 123, 124, 138, 139, 145,  
D26/148, 146, 147, 121, 125, 126, 74, 75,  
D26/144, 150, 141, 118, 120, 128, 129, 132,  
D26/135, 71, 72, 85, 62, 65, 64, 24, 1, 2,  
D26/66, 67, 68, 73, 89, 86, 87, 88, 25, 26,  
D26/61, 63, 69, 76, 77, 78, 79, 90, 91, 84,  
D26/92, 49, 37, 38, 39; D13/179, 180, 171,  
D13/173; D11/90, 121, 89; 63/32; 362/253,  
362/257, 333, 326, 169, 187, 307, 327, 308,  
362/309, 362, 337, 208, 158; 16/442; 359/708,  
359/641, 726; D6/581; D9/452, 435, 453,  
D9/443  
See application file for complete search history.

(56) **References Cited**

**U.S. PATENT DOCUMENTS**

- D284,104 S \* 6/1986 Martino ..... D26/24
- D367,829 S \* 3/1996 Takigawa ..... D10/132

- D465,599 S \* 11/2002 Thompson ..... D26/89
- D480,384 S \* 10/2003 Fuse ..... D14/217
- 7,153,000 B2 \* 12/2006 Park et al. .... 362/268
- D544,117 S \* 6/2007 Coushaine ..... D26/37
- D575,883 S \* 8/2008 Park ..... D26/2
- D578,671 S \* 10/2008 Kanayama et al. .... D26/1
- D579,424 S \* 10/2008 Kim et al. .... D13/180
- D593,224 S \* 5/2009 Hanley ..... D26/2
- D598,579 S \* 8/2009 Hanley ..... D26/1
- D599,390 S \* 9/2009 Takishima ..... D16/135
- D602,060 S \* 10/2009 Takishima ..... D16/135
- D603,438 S \* 11/2009 Takishima ..... D16/135
- D618,383 S \* 6/2010 Zhang et al. .... D26/120
- D618,636 S \* 6/2010 Hsieh ..... D13/180
- D619,753 S \* 7/2010 Zhang et al. .... D26/120
- D634,883 S \* 3/2011 Kim et al. .... D26/120
- D646,004 S \* 9/2011 VanderSchuit ..... D26/24
- D647,228 S \* 10/2011 Feigenbaum ..... D26/24
- D666,353 S \* 8/2012 Lin et al. .... D26/124
- D678,598 S \* 3/2013 Wu et al. .... D26/120
- 2008/0001160 A1 \* 1/2008 Andrews ..... 257/79
- 2008/0203412 A1 \* 8/2008 Shyu et al. .... 257/98

\* cited by examiner

*Primary Examiner* — Kevin Rudzinski

(74) *Attorney, Agent, or Firm* — Rosenberg, Klein & Lee

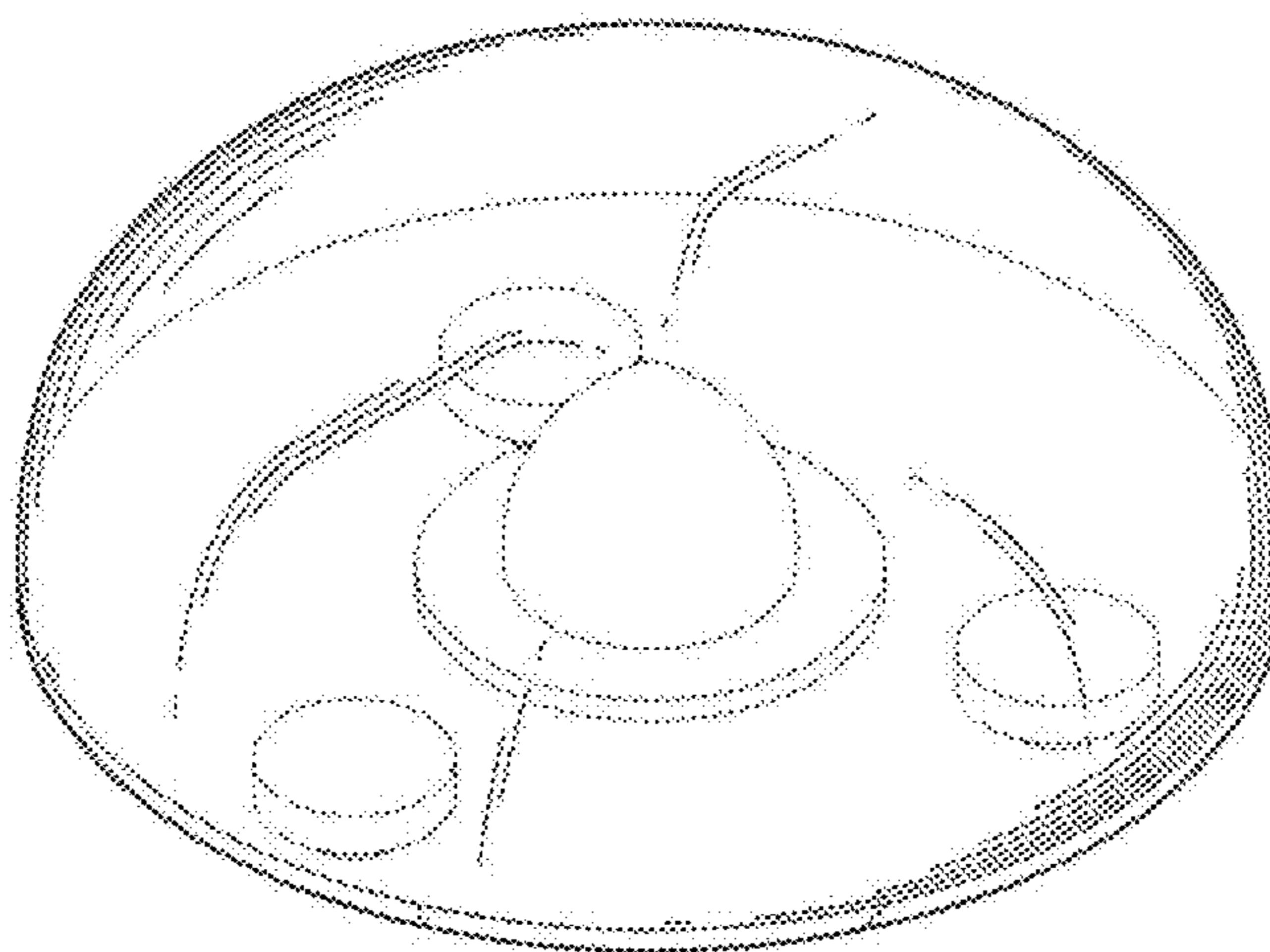
(57) **CLAIM**

The ornamental design for a “LED optical lens,” as shown and described.

**DESCRIPTION**

- FIG. 1 is a perspective view of a “LED optical lens” showing my new design;
- FIG. 2 is a front view thereof;
- FIG. 3 is a rear view thereof;
- FIG. 4 is a left side view thereof;
- FIG. 5 is a right side view thereof;
- FIG. 6 is a top view thereof; and,
- FIG. 7 is a bottom view thereof.

**1 Claim, 5 Drawing Sheets**



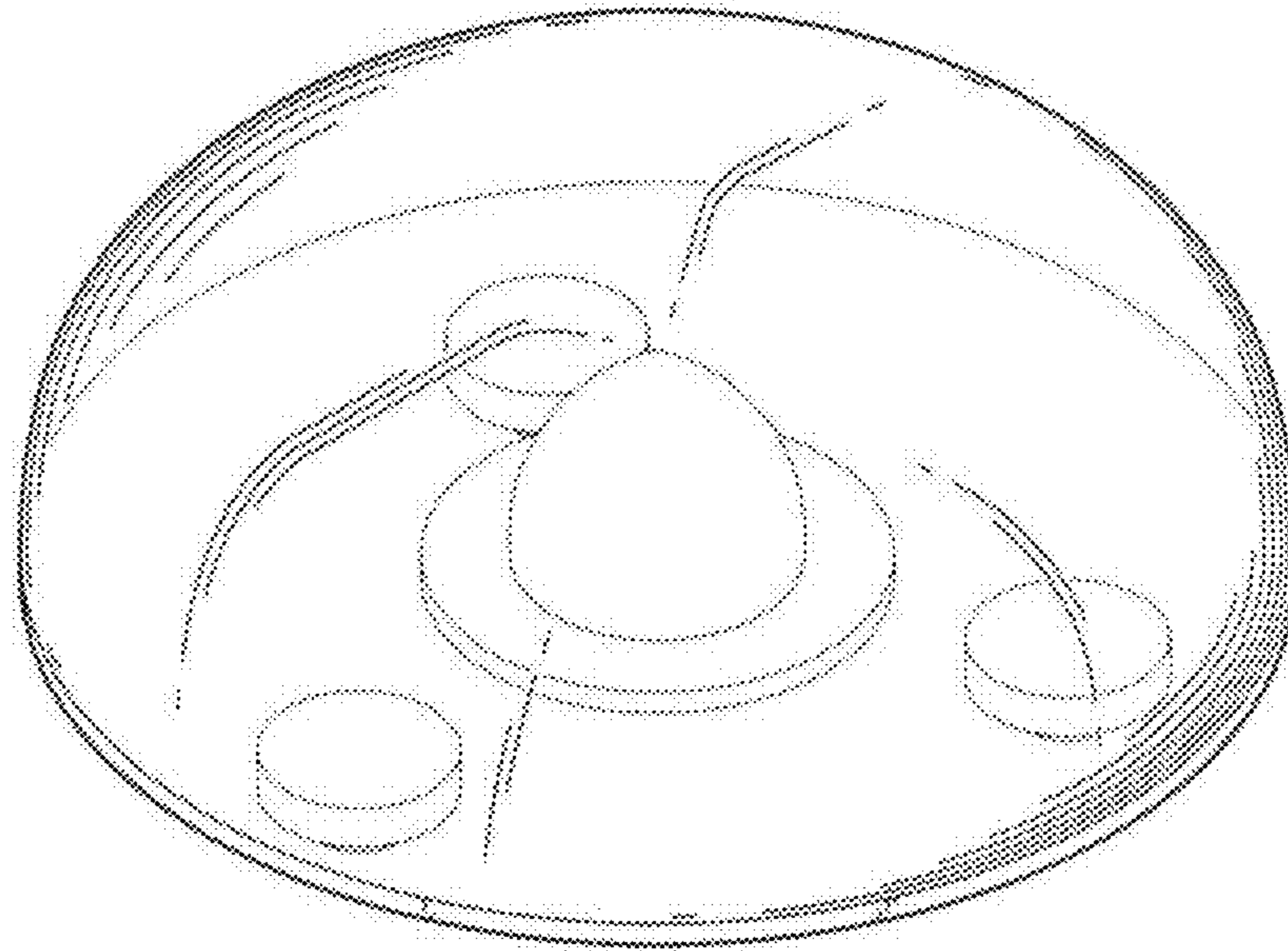


FIG. 1

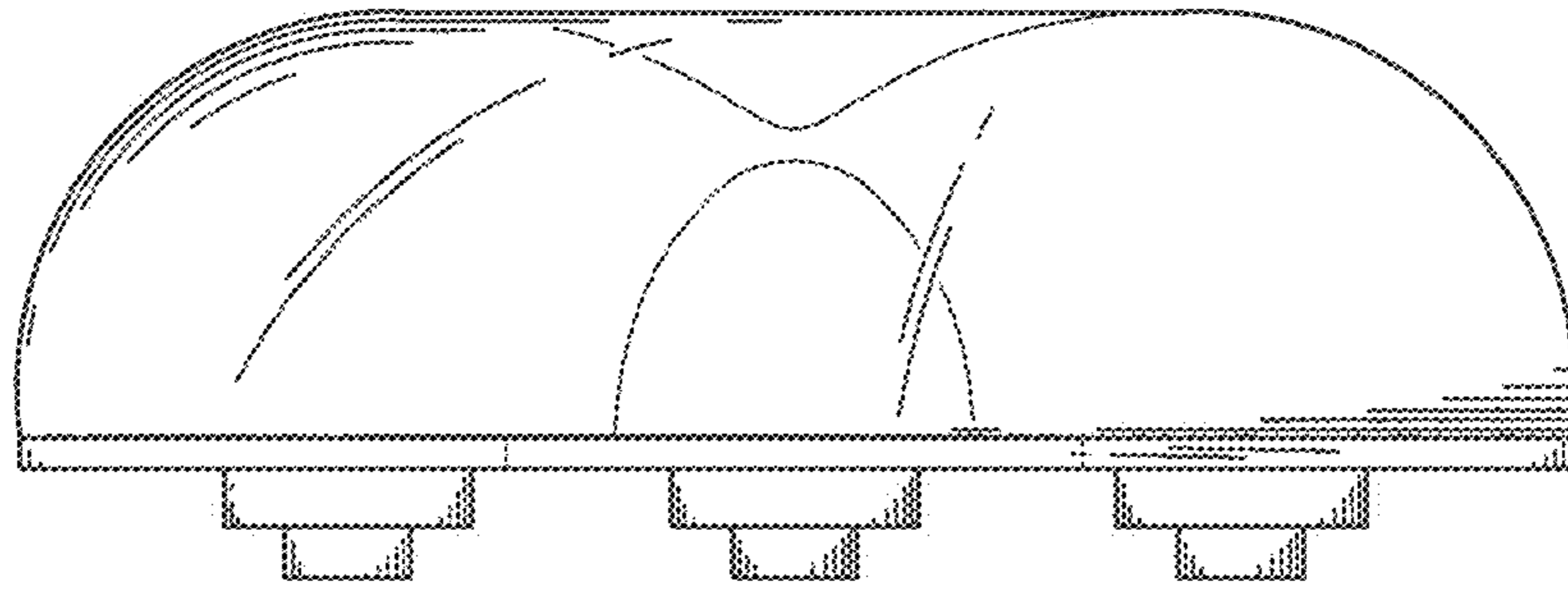


FIG. 2

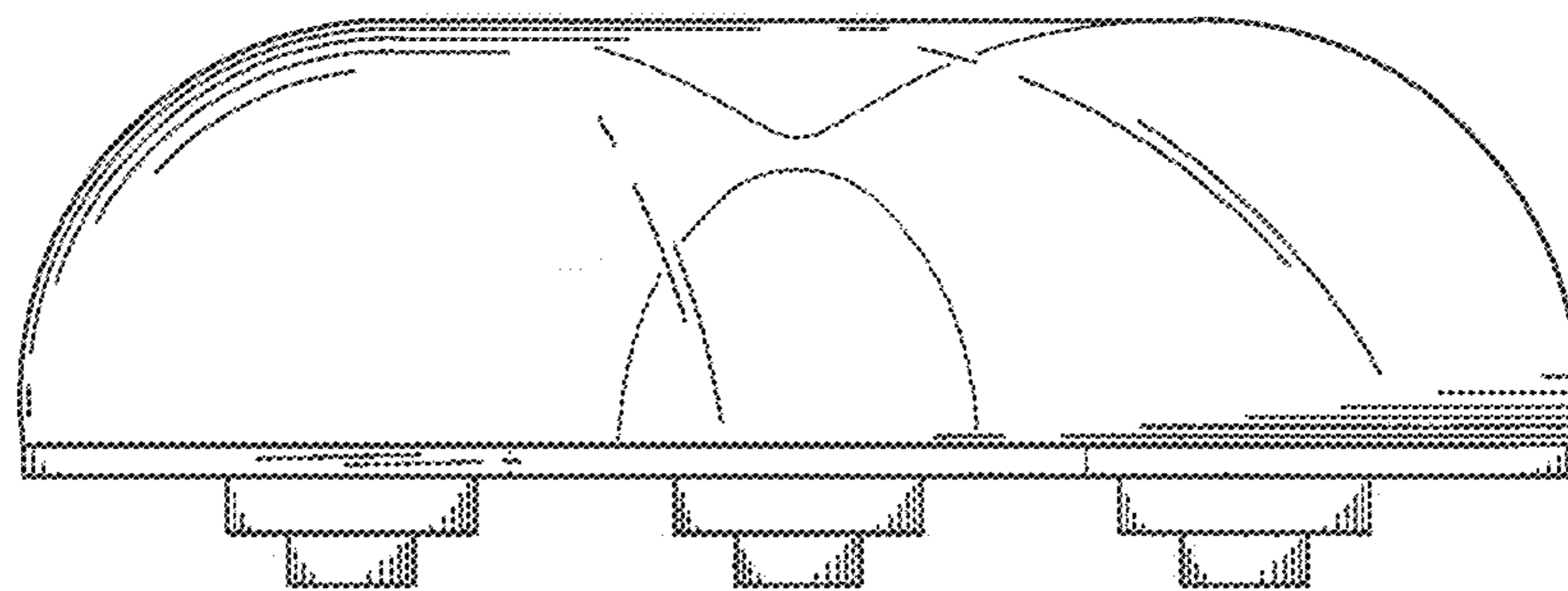


FIG. 3

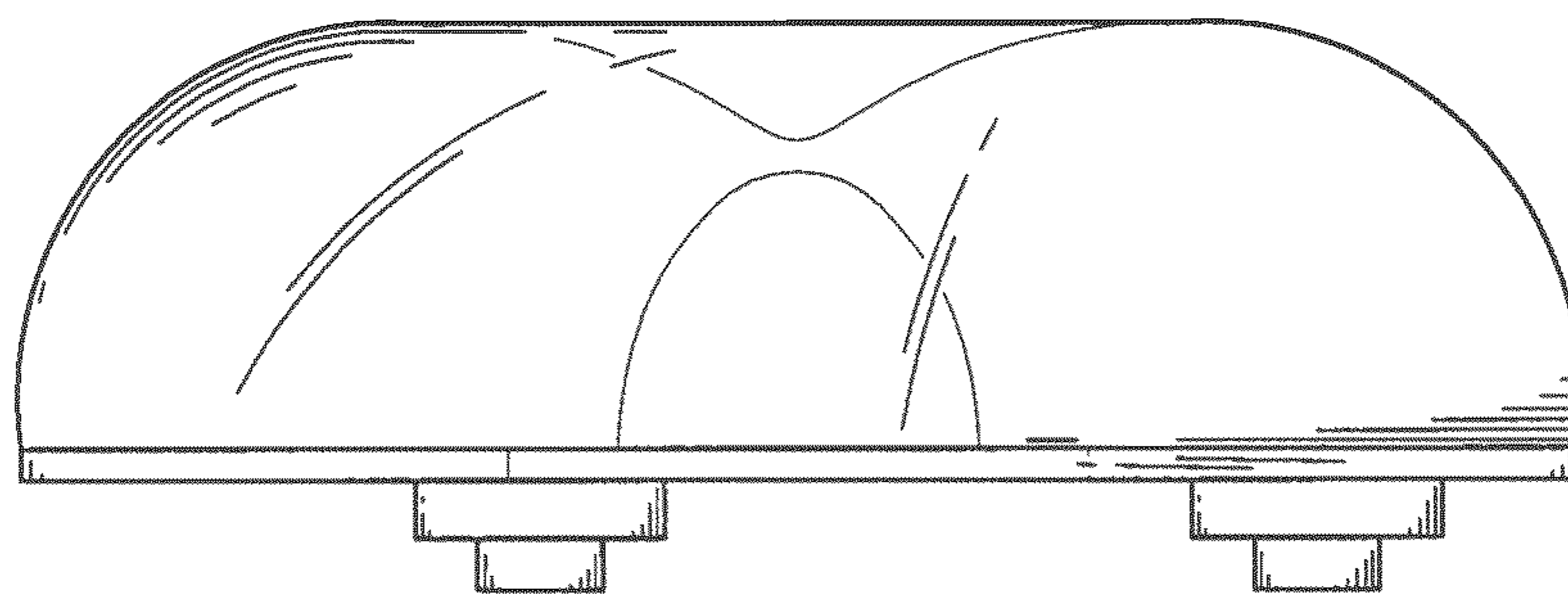


FIG. 4

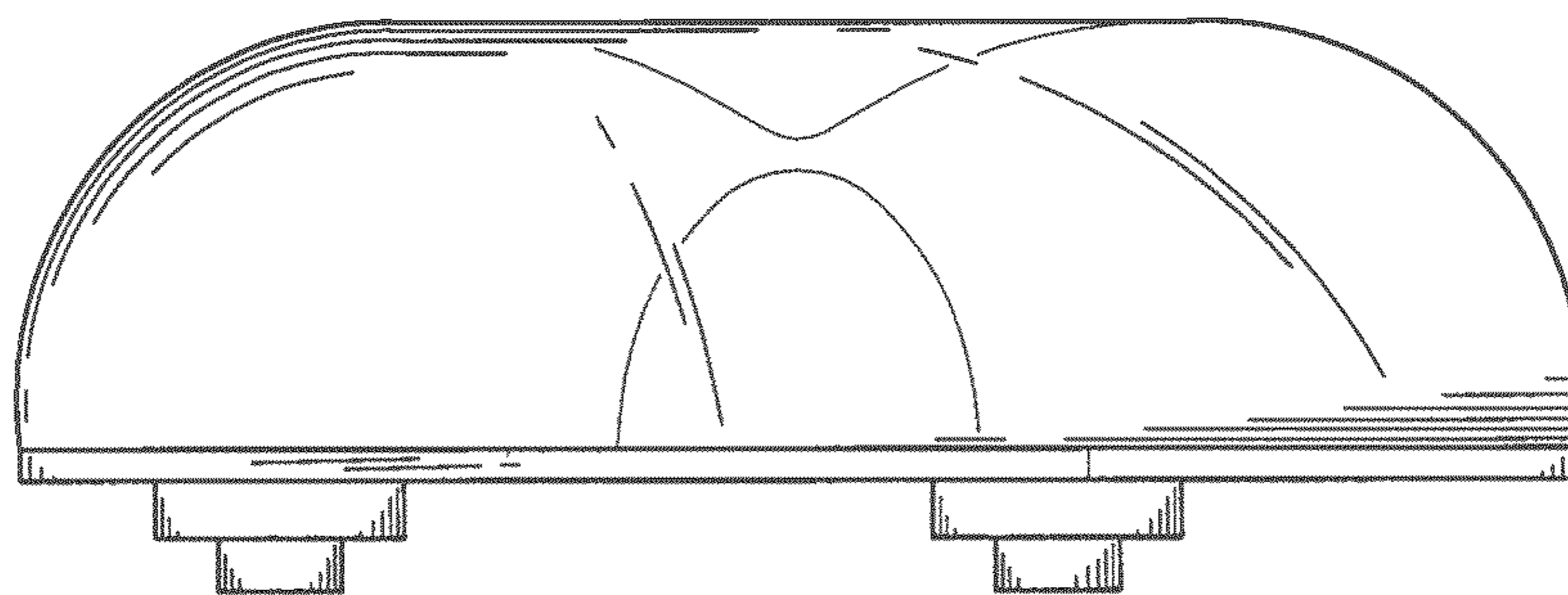


FIG. 5



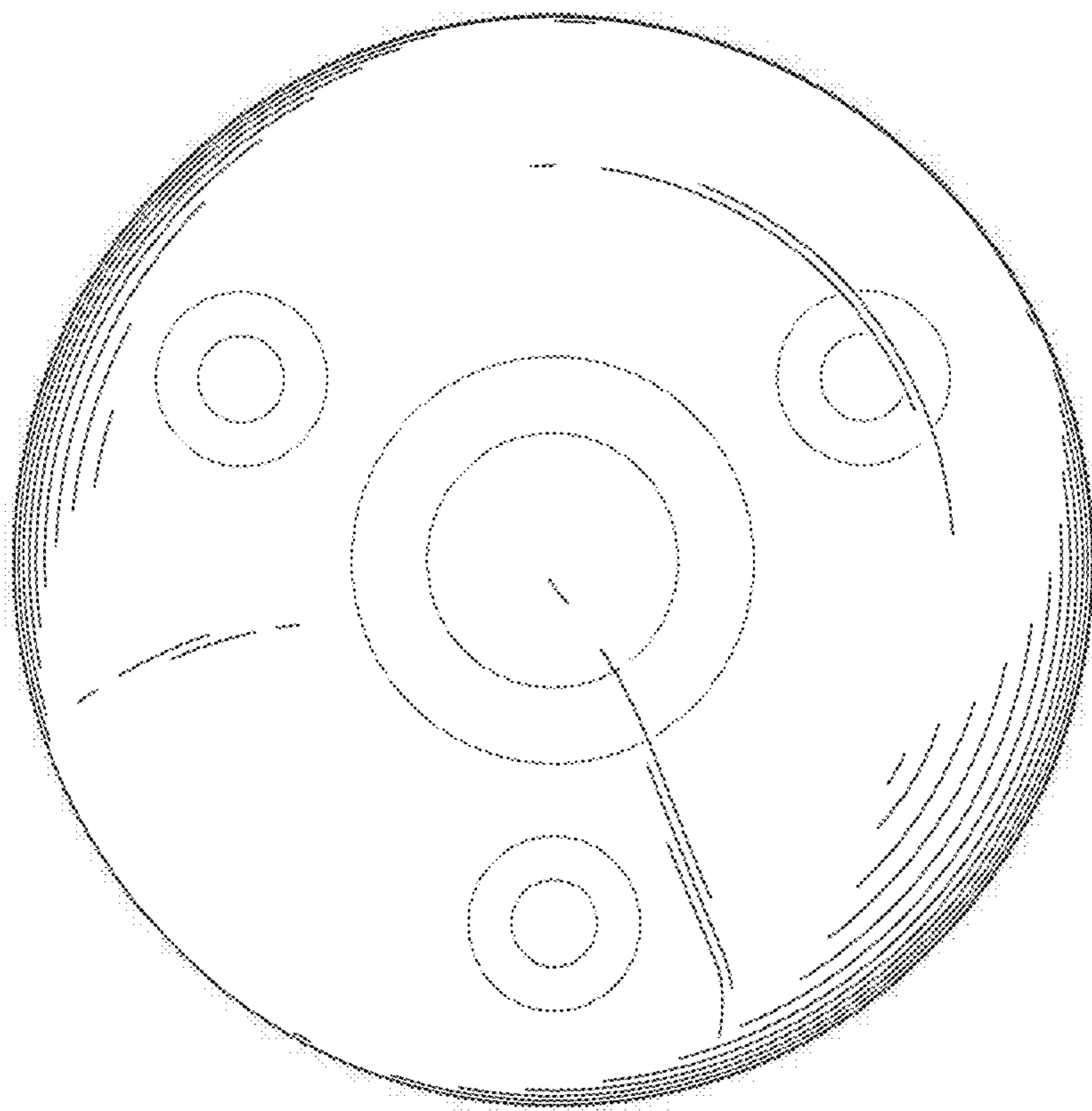


FIG. 6

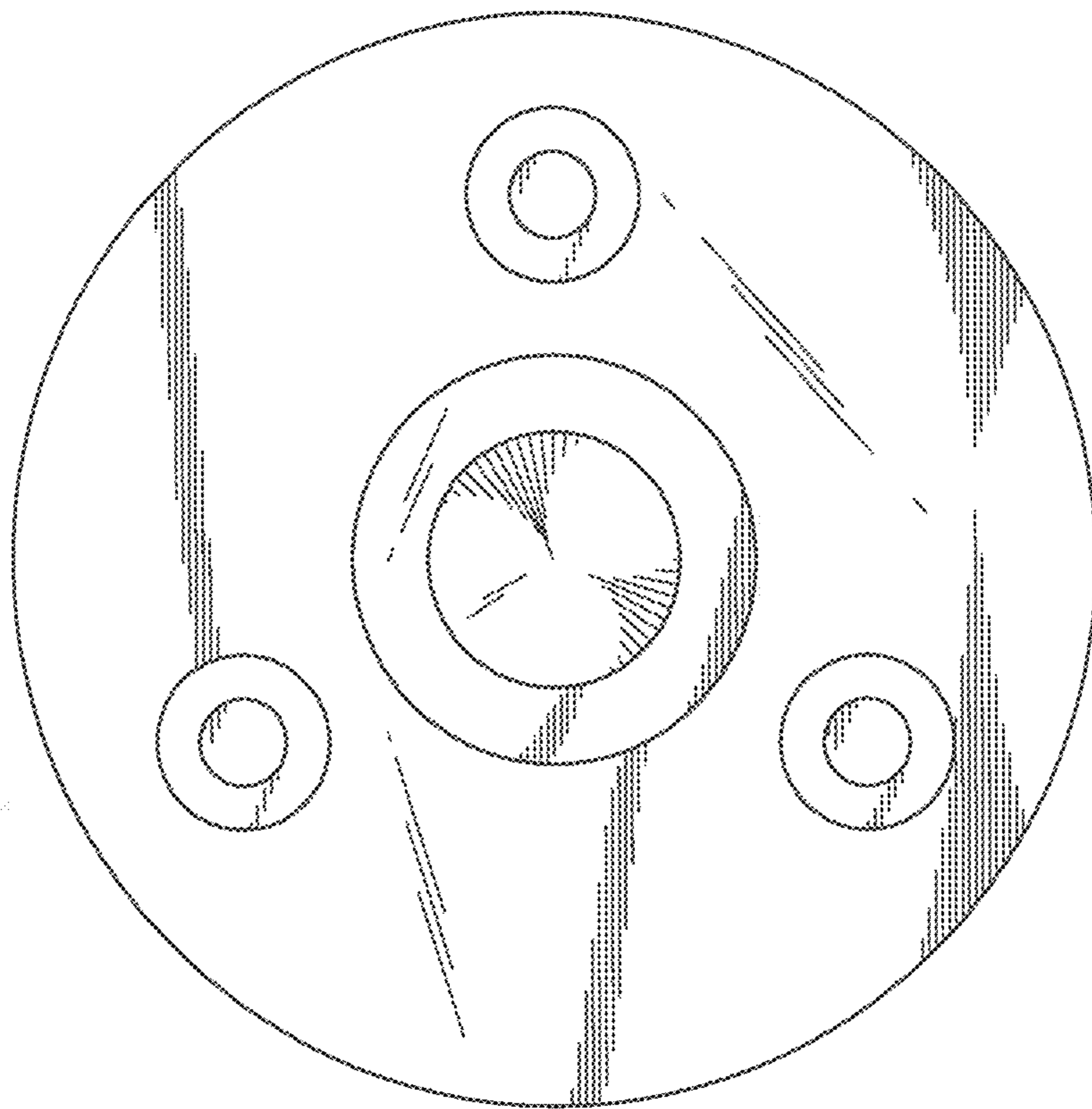


FIG. 7