

US00D691321S

(12) **United States Design Patent**  
**Chen et al.**

(10) **Patent No.:** **US D691,321 S**  
(45) **Date of Patent:** **\*\* Oct. 8, 2013**

(54) **LENS**  
 (75) Inventors: **Chin-Chung Chen**, New Taipei (TW);  
**Yue-Shan Wang**, Shenzhen (CN)  
 (73) Assignee: **Foxconn Technology Co., Ltd.**, New  
 Taipei (TW)  
 (\*\*) Term: **14 Years**  
 (21) Appl. No.: **29/420,907**  
 (22) Filed: **May 15, 2012**  
 (30) **Foreign Application Priority Data**  
 Apr. 28, 2012 (CN) ..... 2012 3 0140575  
 (51) **LOC (9) Cl.** ..... **26-99**  
 (52) **U.S. Cl.**  
 USPC ..... **D26/124**  
 (58) **Field of Classification Search**  
 USPC ..... D26/154, 155, 152, 142, 151, 153,  
 D26/113, 119, 122, 123, 124, 138, 139, 145,  
 D26/148, 146, 147, 121, 125, 126, 74, 75,  
 D26/144, 150, 141, 118, 120, 128, 129, 132,  
 D26/135, 71, 72, 85, 62, 65, 64, 24, 1, 2,  
 D26/66, 67, 68, 73, 89, 86, 87, 88, 25, 26,  
 D26/61, 63, 69, 76, 77, 78, 79, 90, 91, 84,  
 D26/92, 49, 37, 38, 39; D13/179, 180, 171,  
 D13/173; D11/90, 121, 89; 63/32; 362/253,  
 362/257, 333, 326, 169, 187, 307, 327, 308,  
 362/309, 362, 337, 208, 158; 16/442; 359/708,  
 359/641, 726; D6/581; D9/452, 435, 453,  
 D9/443  
 See application file for complete search history.

(56) **References Cited**  
 U.S. PATENT DOCUMENTS  
 D297,717 S \* 9/1988 Chu ..... D10/104.1  
 5,704,709 A \* 1/1998 Zwick et al. .... 362/304  
 6,755,556 B2 \* 6/2004 Gasquet et al. .... 362/329

D495,822 S \* 9/2004 Yoneda ..... D26/124  
 7,006,306 B2 \* 2/2006 Falicoff et al. .... 359/800  
 7,347,590 B2 \* 3/2008 Lee et al. .... 362/327  
 7,431,480 B2 \* 10/2008 Godo ..... 362/311.06  
 D620,635 S \* 7/2010 Chen et al. .... D26/124  
 D622,899 S \* 8/2010 Chen et al. .... D26/124  
 D623,610 S \* 9/2010 Mallory et al. .... D13/180  
 D625,045 S \* 10/2010 Chen et al. .... D26/126  
 D625,462 S \* 10/2010 Ku et al. .... D26/128  
 D625,881 S \* 10/2010 Chen et al. .... D26/124  
 8,029,163 B2 \* 10/2011 Chen et al. .... 362/308  
 D654,617 S \* 2/2012 Marquardt et al. .... D26/120  
 8,267,553 B2 \* 9/2012 Liang et al. .... 362/328  
 8,269,243 B2 \* 9/2012 Duan et al. .... 257/98  
 8,308,321 B2 \* 11/2012 Ku et al. .... 362/311.02  
 8,368,093 B2 \* 2/2013 Chen et al. .... 257/95  
 D679,857 S \* 4/2013 Hsu et al. .... D26/120  
 2005/0201118 A1 \* 9/2005 Godo ..... 362/555  
 2006/0067079 A1 \* 3/2006 Noh et al. .... 362/327  
 2007/0019416 A1 \* 1/2007 Han et al. .... 362/307

(Continued)

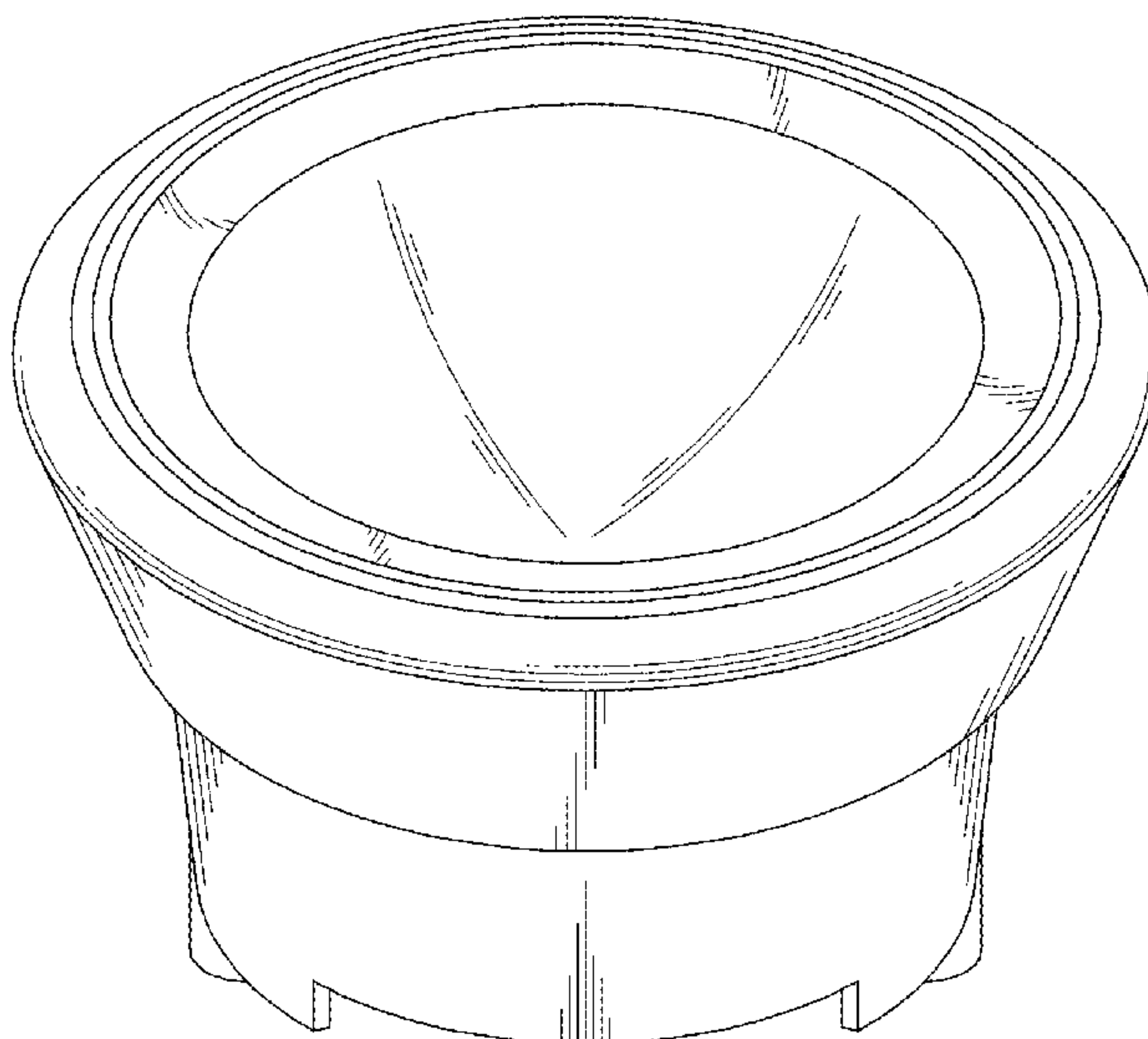
*Primary Examiner* — Kevin Rudzinski  
 (74) *Attorney, Agent, or Firm* — Altis Law Group, Inc.

(57) **CLAIM**  
 The ornamental design for a lens, as shown and described.

**DESCRIPTION**

FIG. 1 is a perspective view of a lens showing our new design.  
 FIG. 2 is a front elevational view thereof.  
 FIG. 3 is a rear elevational view thereof.  
 FIG. 4 is a left-side, elevational view thereof.  
 FIG. 5 is a right-side, elevational view thereof.  
 FIG. 6 is a top plan view thereof.  
 FIG. 7 is a bottom plan view thereof; and,  
 FIG. 8 is a cross-sectional view thereof, taken along lines 8-8  
 of FIG. 6.

**1 Claim, 8 Drawing Sheets**



(56)

**References Cited**

U.S. PATENT DOCUMENTS

2007/0279904	A1 *	12/2007	Tasch et al. ....	362/235				
2008/0297918	A1 *	12/2008	Park et al. ....	359/709				
2009/0129097	A1 *	5/2009	Ewert et al. ....	362/328				
2010/0014286	A1 *	1/2010	Yoneda et al. ....	362/231				
2011/0080725	A1 *	4/2011	Brands et al. ....	362/187				

\* cited by examiner

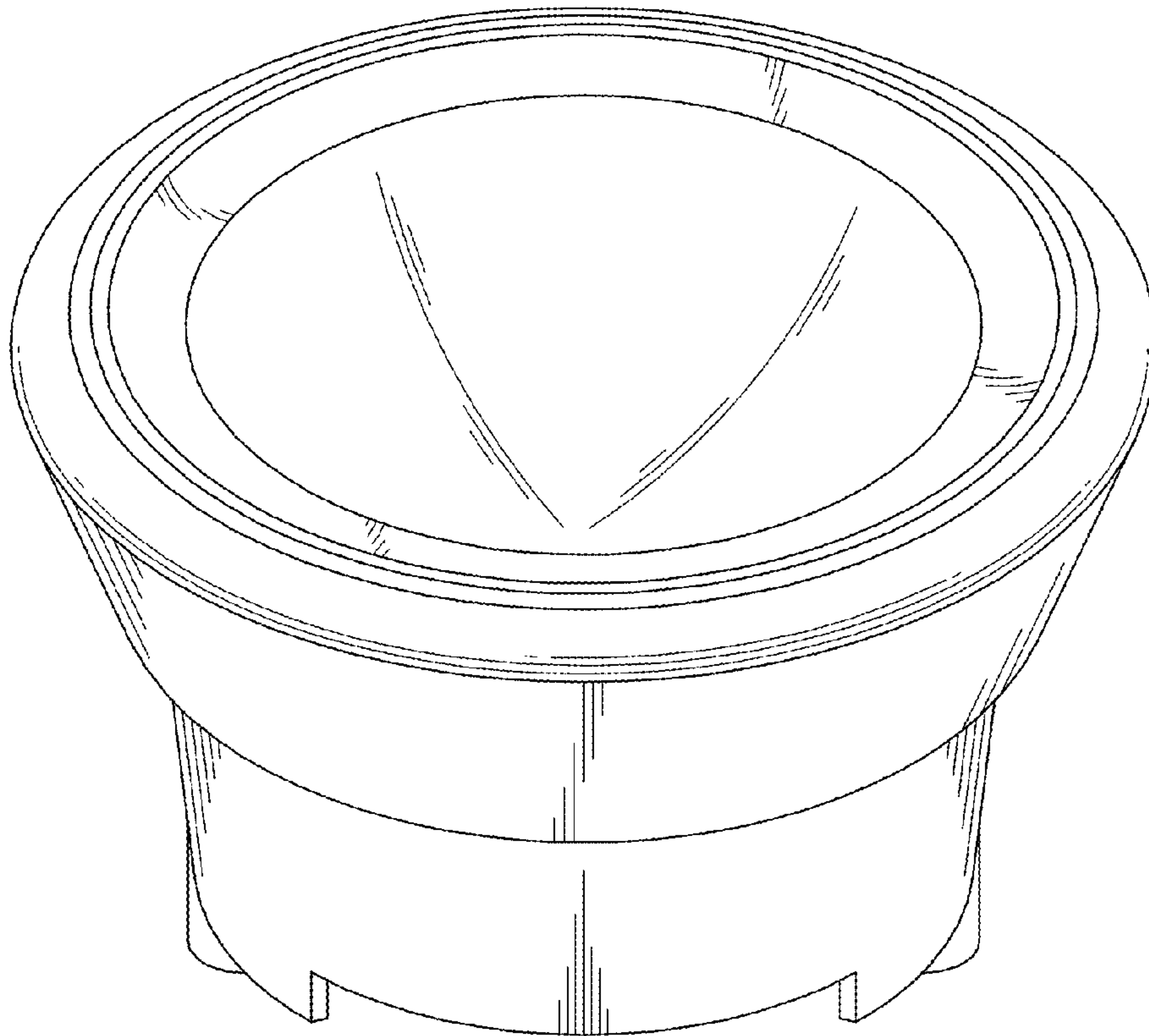


FIG. 1

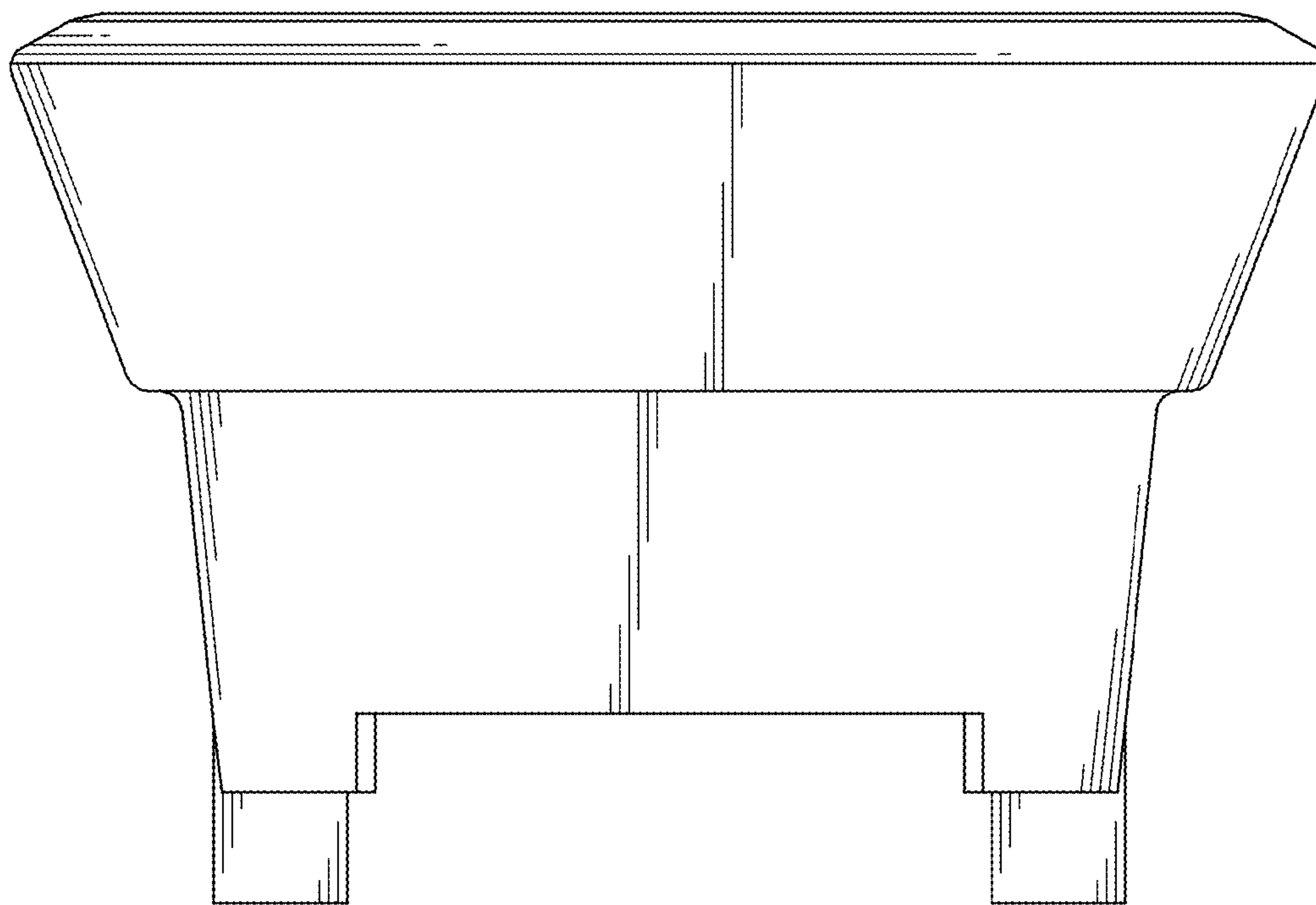


FIG. 2

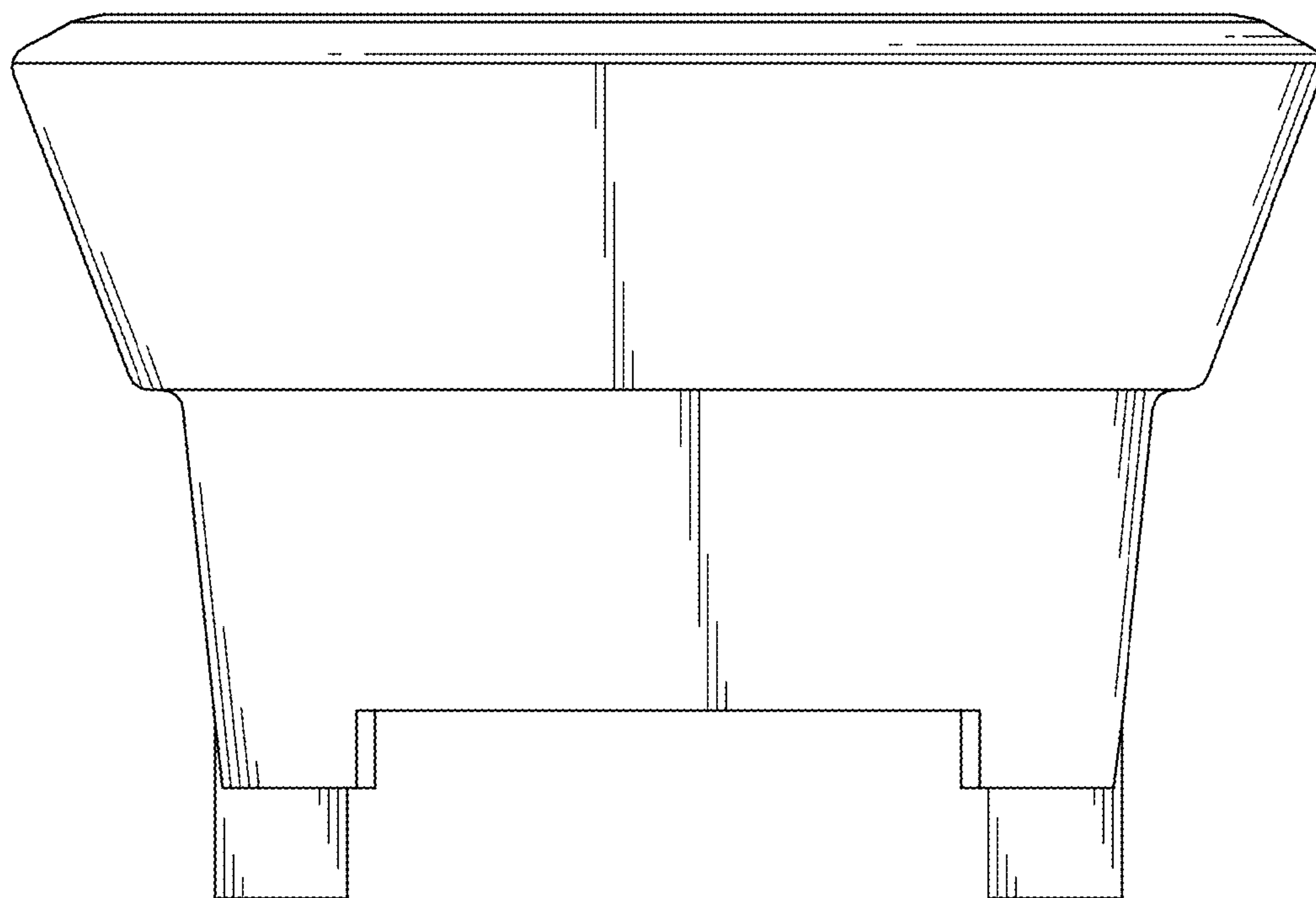


FIG. 3

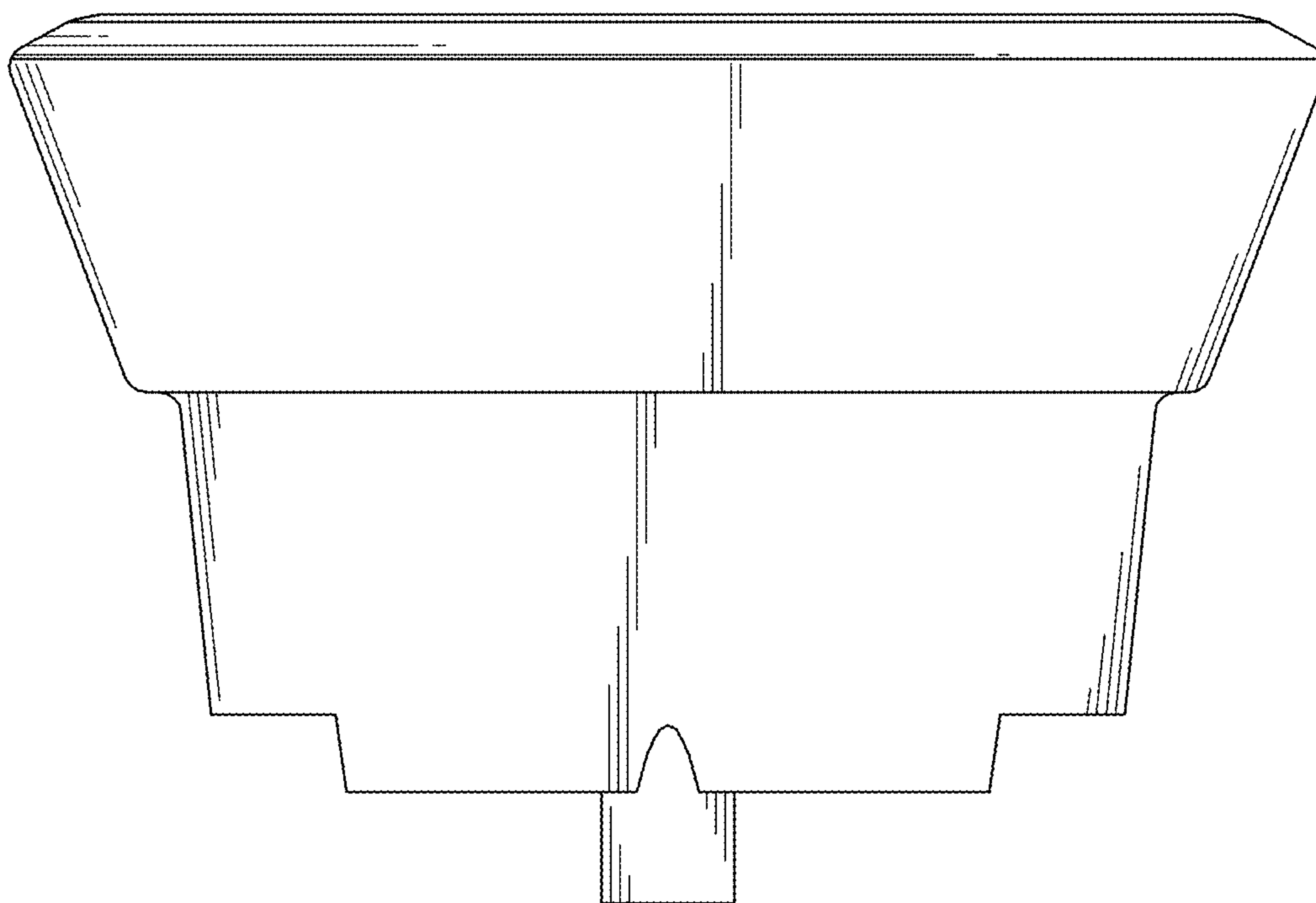


FIG. 4

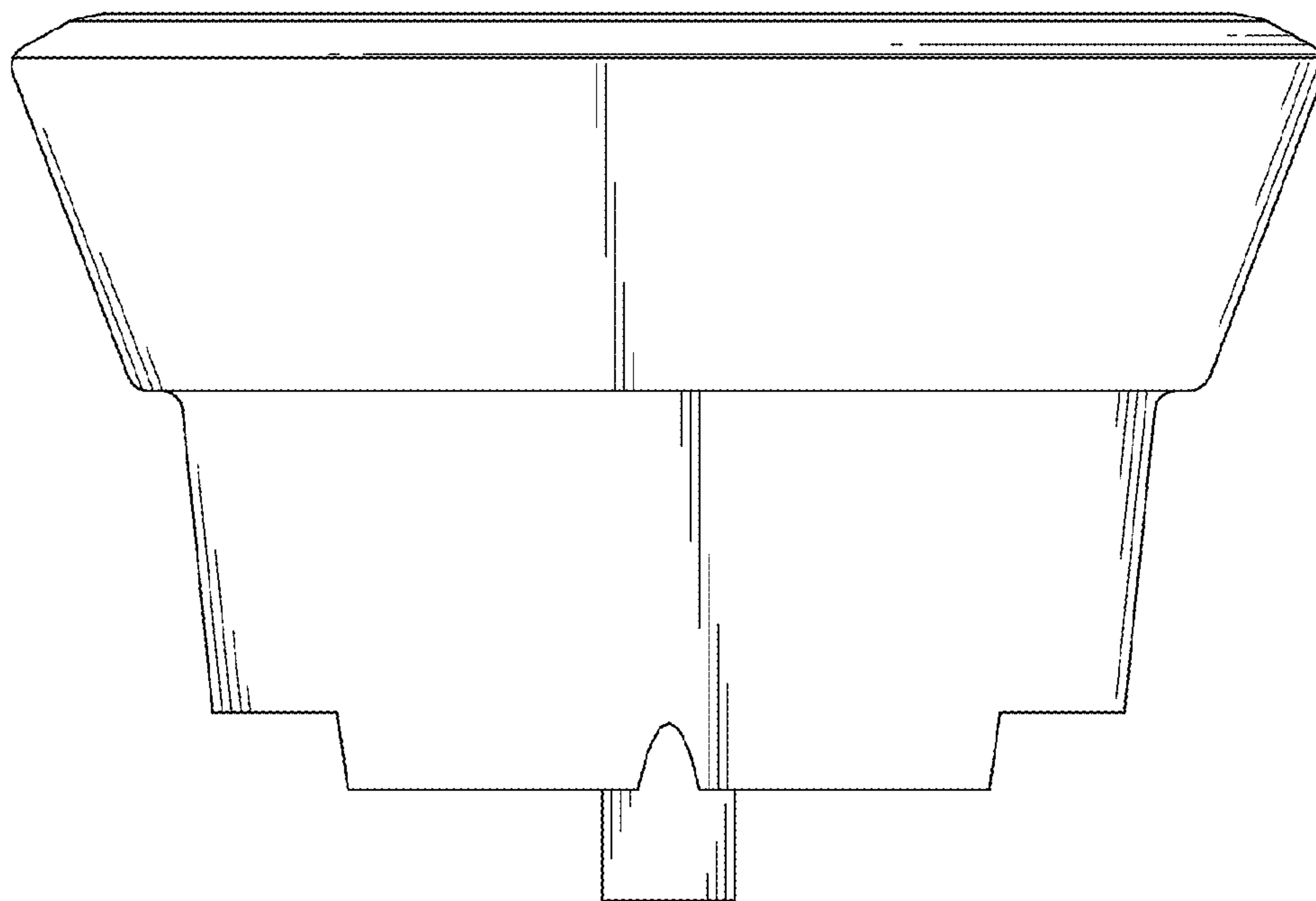


FIG. 5



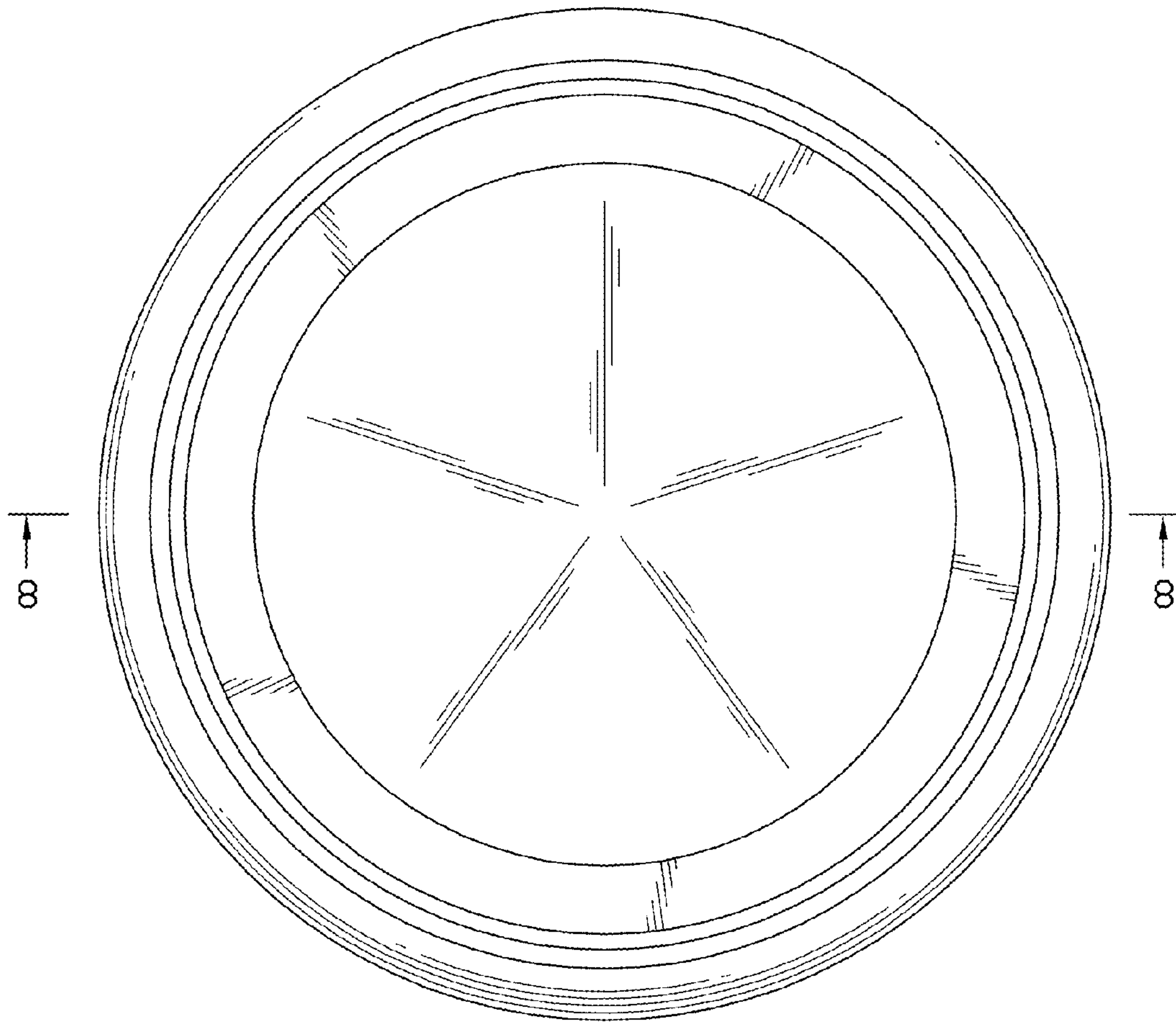


FIG. 6



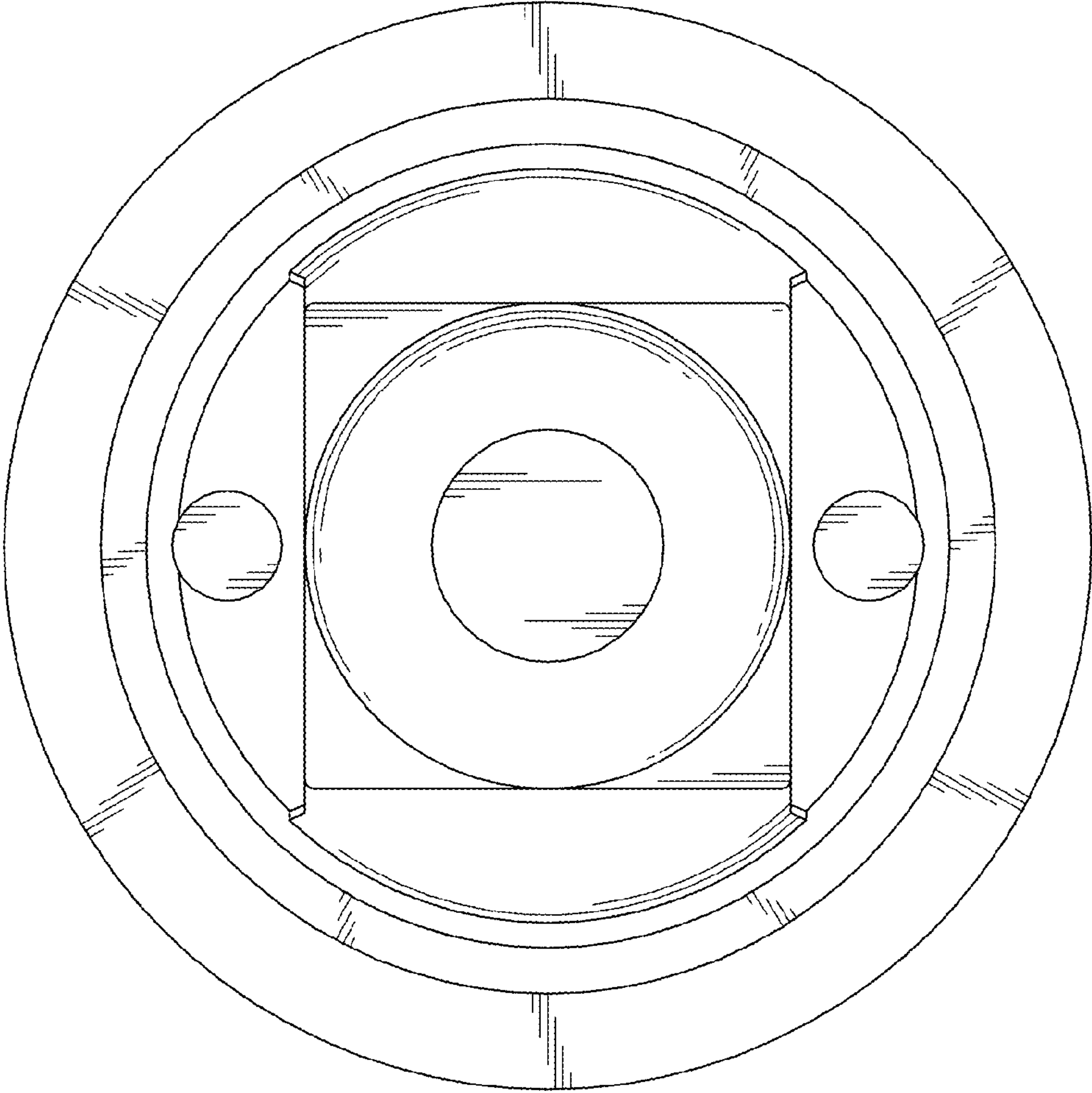


FIG. 7

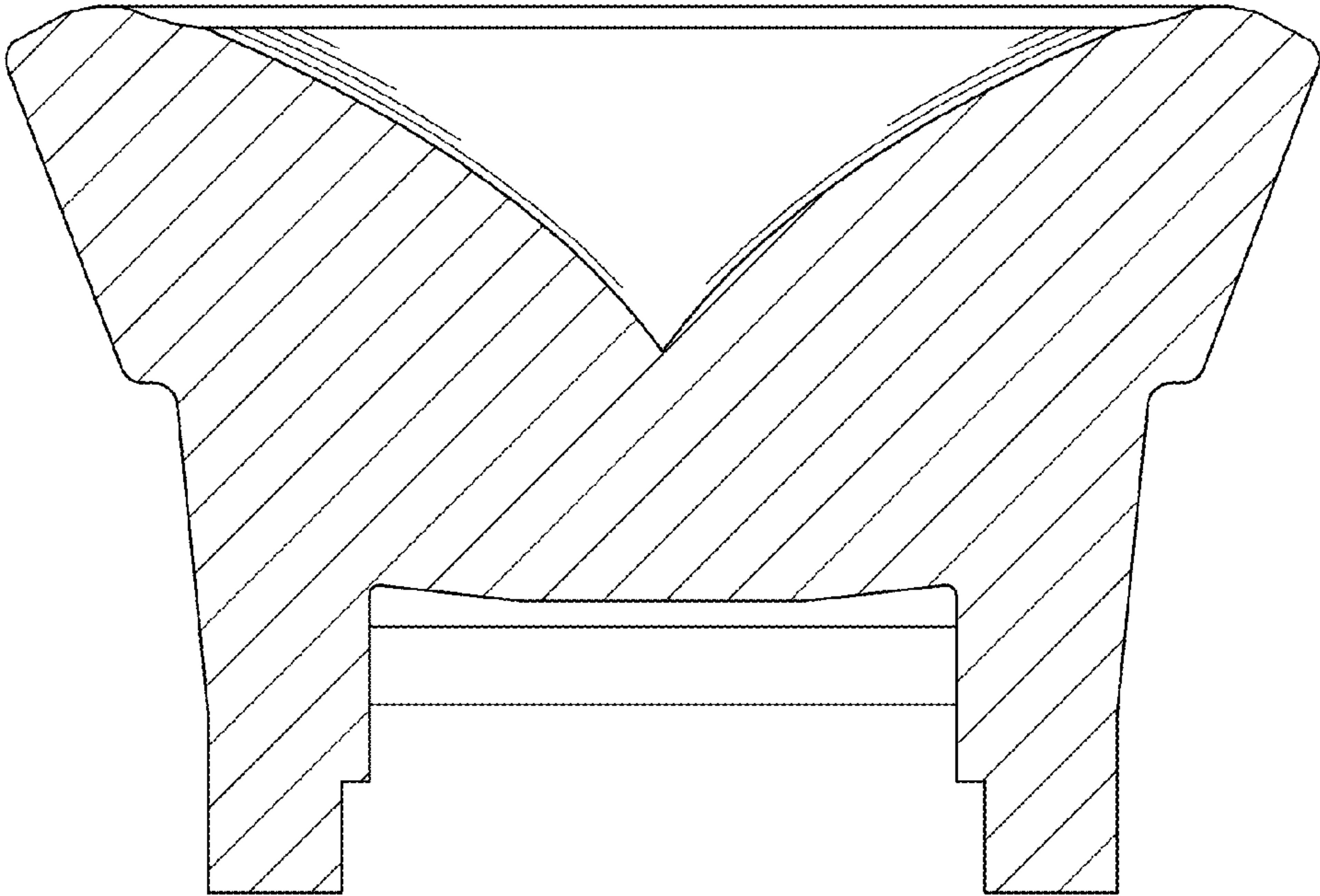


FIG. 8