



US00D691320S

(12) **United States Design Patent**
Guercio et al.

(10) **Patent No.:** **US D691,320 S**

(45) **Date of Patent:** **** Oct. 8, 2013**

(54) **SLIM WALLPACK LIGHT FIXTURE**

(74) *Attorney, Agent, or Firm* — SmithAmundsen LLC;
Dennis S. Schell

(71) Applicant: **RAB Lighting Inc.**, Northvale, NJ (US)

(72) Inventors: **Vincenzo Guercio**, Wallkill, NY (US);
James Lau, Nyack, NY (US)

(57) **CLAIM**

The ornamental design for a slim wallpack light fixture, substantially as shown and described.

(73) Assignee: **RAB Lighting Inc.**, Northvale, NJ (US)

(**) Term: **14 Years**

DESCRIPTION

(21) Appl. No.: **29/439,093**

(22) Filed: **Dec. 6, 2012**

FIG. 1 is a bottom-right perspective view of an embodiment of the new design;

(51) **LOC (9) Cl.** **26-03**

FIG. 2 is a front perspective view of the embodiment of FIG. 1;

(52) **U.S. Cl.**

USPC **D26/85; D26/118**

FIG. 3 is a front view of the embodiment of FIG. 1;

(58) **Field of Classification Search**

USPC D26/72, 85-87, 92, 118; 362/147,
362/432

FIG. 4 is a left side view of the embodiment of FIG. 1;

FIG. 5 is a bottom view of the embodiment of FIG. 1;

FIG. 6 is a top view of the embodiment of FIG. 1;

FIG. 7 is a rear view of the embodiment of FIG. 1;

See application file for complete search history.

FIG. 8 is a front view of a first illustrative example width of the embodiment of FIG. 1;

FIG. 9 is a front view of a second illustrative example width of the embodiment of FIG. 1; and,

FIG. 10 is a front view of a third illustrative example width of the embodiment of FIG. 1.

(56) **References Cited**

U.S. PATENT DOCUMENTS

D228,667 S	*	10/1973	Anderson	D26/71
D247,725 S		4/1978	Seymour et al.		
D248,184 S		6/1978	Roberts		
4,217,629 A		8/1980	Russell		
D272,193 S		1/1984	Sangiama		
D380,572 S		7/1997	Bodell et al.		
D380,853 S		7/1997	Johnson		

(Continued)

OTHER PUBLICATIONS

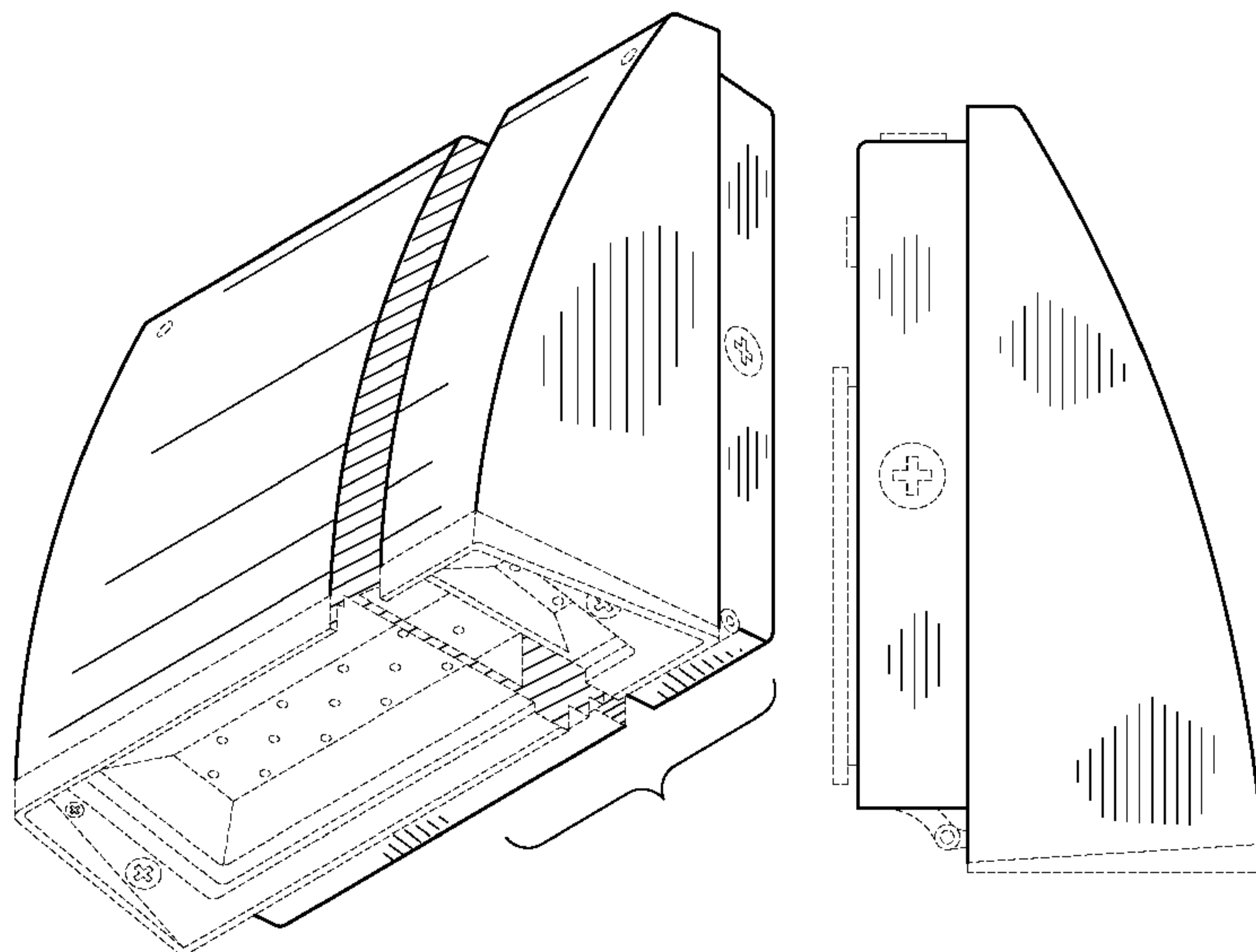
Ruud Lighting Direct Catalog [online]. [Retrieved on Aug. 31, 2012] [13 pages]. Retrieved from the Internet: <URL: www.ruudlightingdirect.com/catalogsearch/result/?q=wall+pack>.

(Continued)

The broken lines shown in the drawings are for the purpose of illustrating portions of the article that form no part of the claimed design. The right side view is a mirror image of the left side view and is therefore omitted. The body of the design in FIGS. 1-3 and 5-7 is represented in broken away style to show that no particular width of the light fixture is claimed. The perspective, left, right, bottom, top, and rear views are omitted for the first, second, and third illustrative example widths of the new design shown in FIGS. 8-10. These views are omitted because they are the same as the corresponding views for FIGS. 1-7, with the exception of the difference in the width of the various examples of the design.

Primary Examiner — Clare E Heflin

1 Claim, 10 Drawing Sheets



(56)

References Cited

U.S. PATENT DOCUMENTS

D390,999 S 2/1998 Gaskins et al.
D422,739 S 4/2000 Lin
D446,340 S 8/2001 Bradford et al.
D456,928 S 5/2002 Russello et al.
D456,930 S 5/2002 Russello et al.
D465,050 S * 10/2002 Crelin D26/85
D494,701 S 8/2004 Campbell
D500,569 S 1/2005 Butler
7,150,542 B1 12/2006 Russello et al.
7,296,914 B1 11/2007 Russello et al.
D561,376 S 2/2008 Guercio
D561,377 S 2/2008 Guercio
D562,491 S * 2/2008 DiCola D26/85
D566,876 S 4/2008 Allen et al.
D577,146 S 9/2008 Haugaard et al.
D579,141 S 10/2008 Guercio
D583,977 S 12/2008 Guercio
D584,445 S 1/2009 Guercio
D592,798 S 5/2009 Chandler

D595,447 S * 6/2009 Purcell D26/85
D608,040 S 1/2010 Guercio
D610,296 S 2/2010 Boissevain et al.
D612,975 S * 3/2010 Guercio et al. D26/85
D624,686 S 9/2010 Toney et al.
D627,916 S 11/2010 Butteris et al.
D634,878 S 3/2011 Guercio et al.
D641,100 S 7/2011 Li
D650,112 S * 12/2011 Bryant D26/85
D653,377 S 1/2012 Guercio
D662,251 S 6/2012 Wauters
D664,703 S 7/2012 Yu
D668,810 S 10/2012 Bryant
D672,081 S 12/2012 Sprengers
D678,596 S * 3/2013 Bryant D26/118

OTHER PUBLICATIONS

A-19 Islands of Light Bissque—Unfinished Wall Sconce found at
lightinguniverse.com visited Sep. 14, 2009.

* cited by examiner

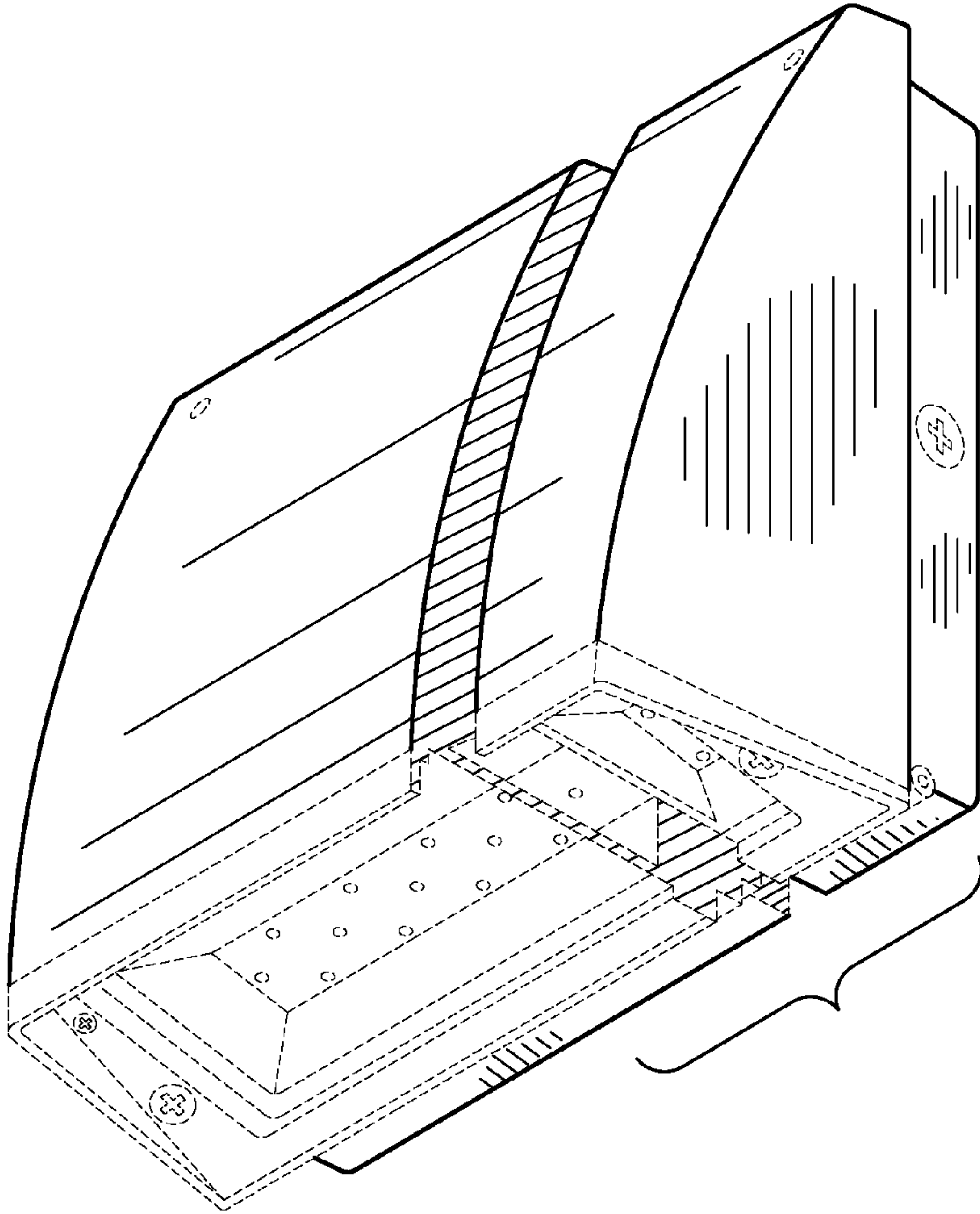


FIG. 1

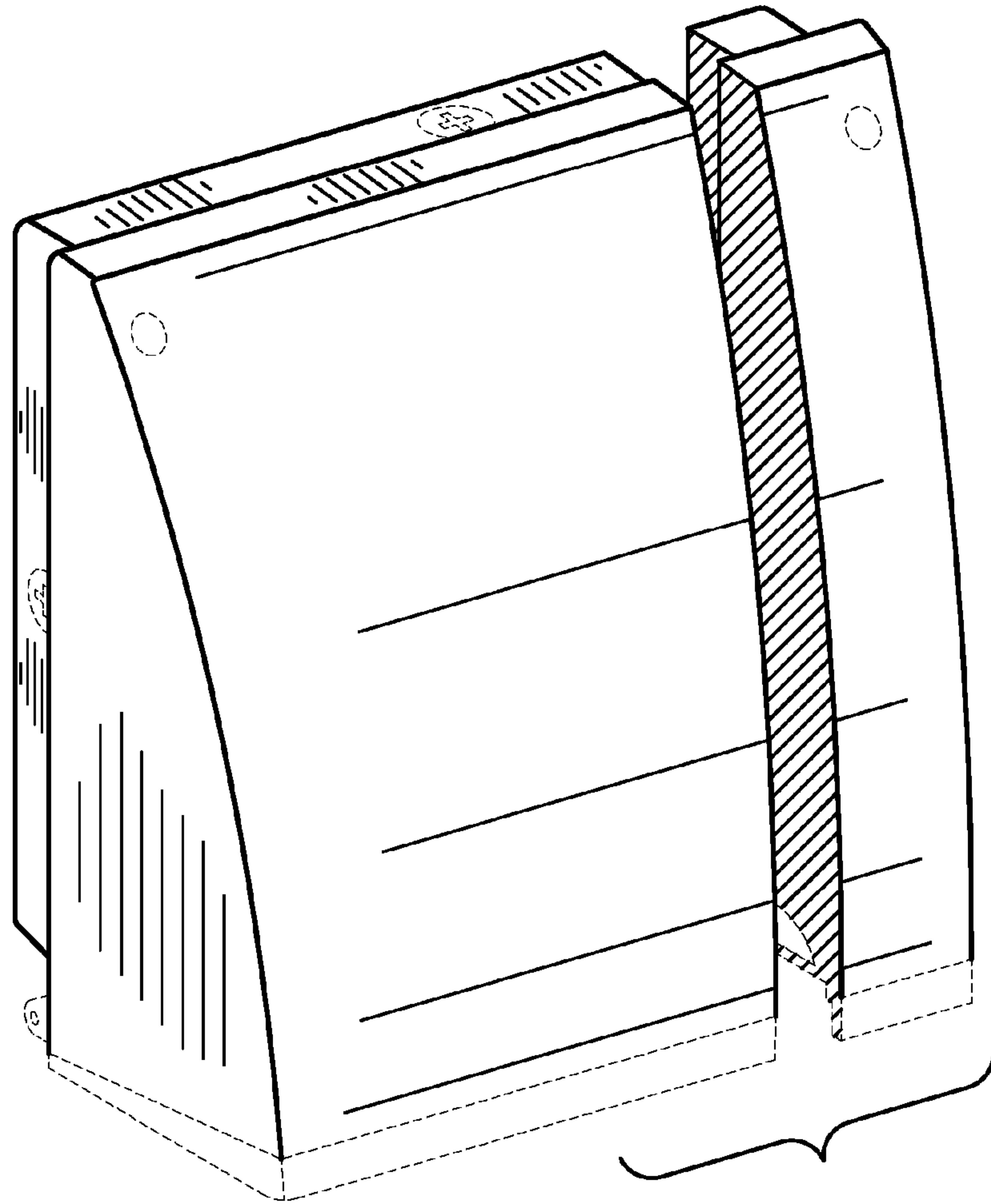


FIG. 2

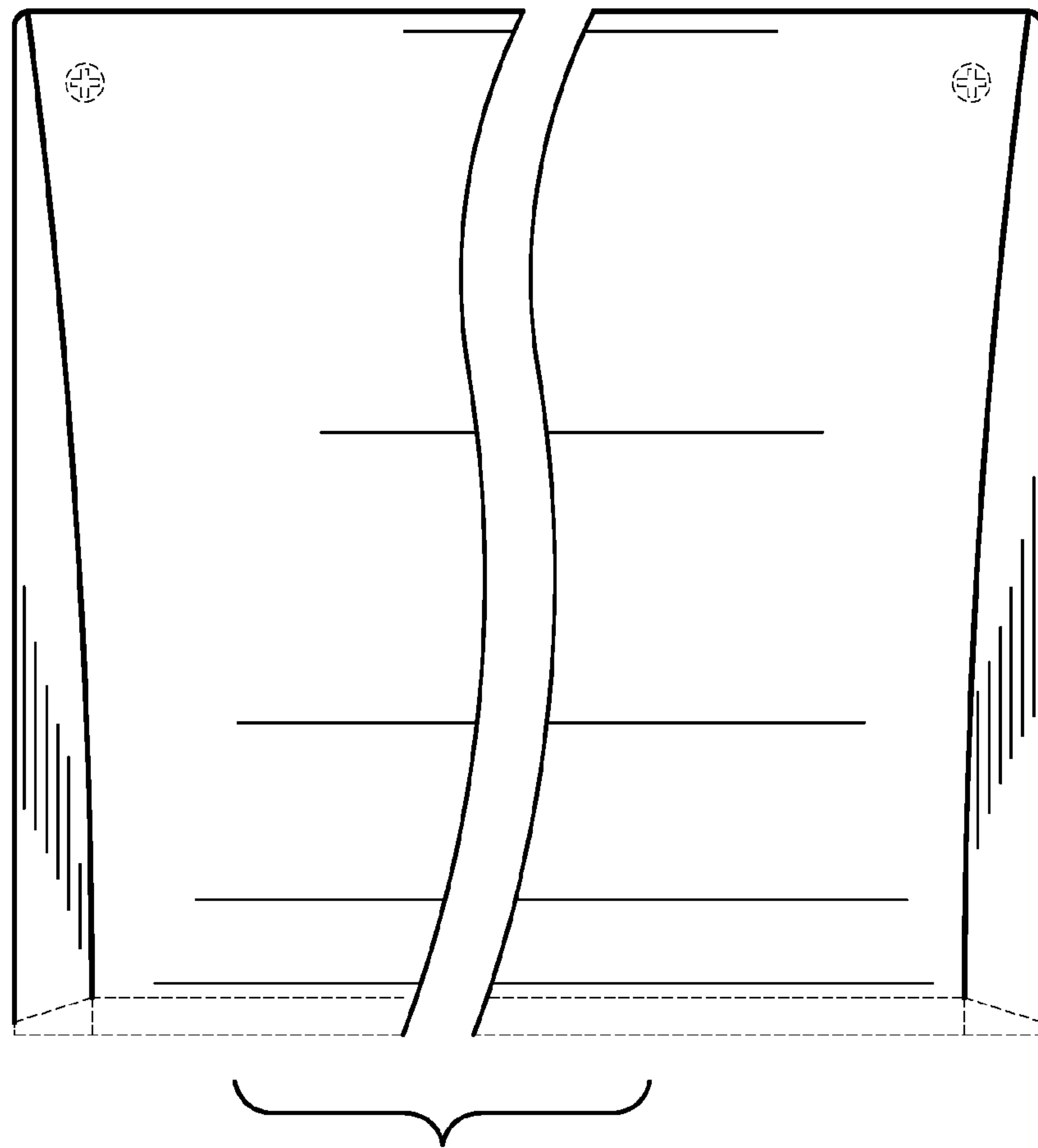


FIG. 3

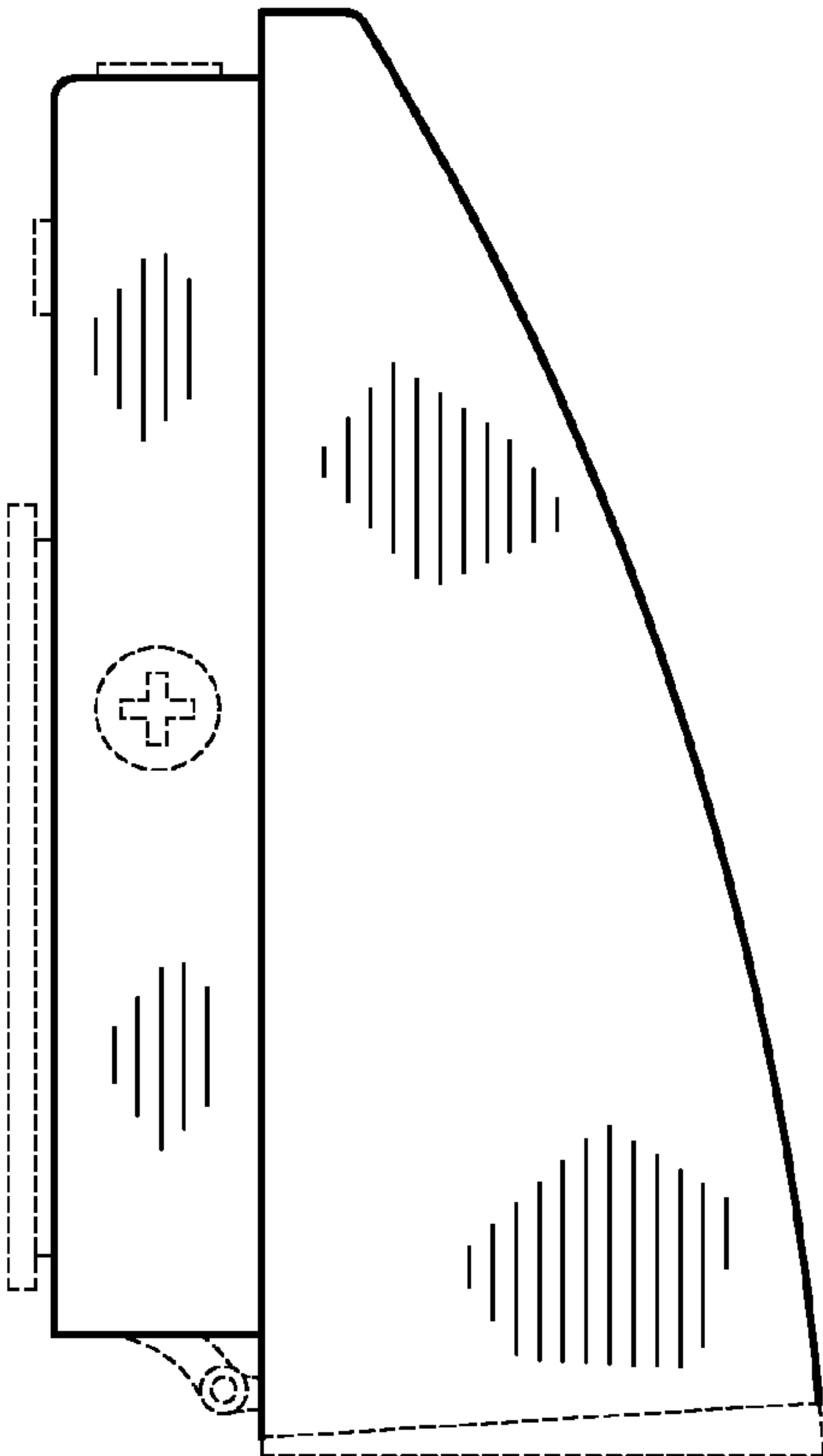


FIG. 4

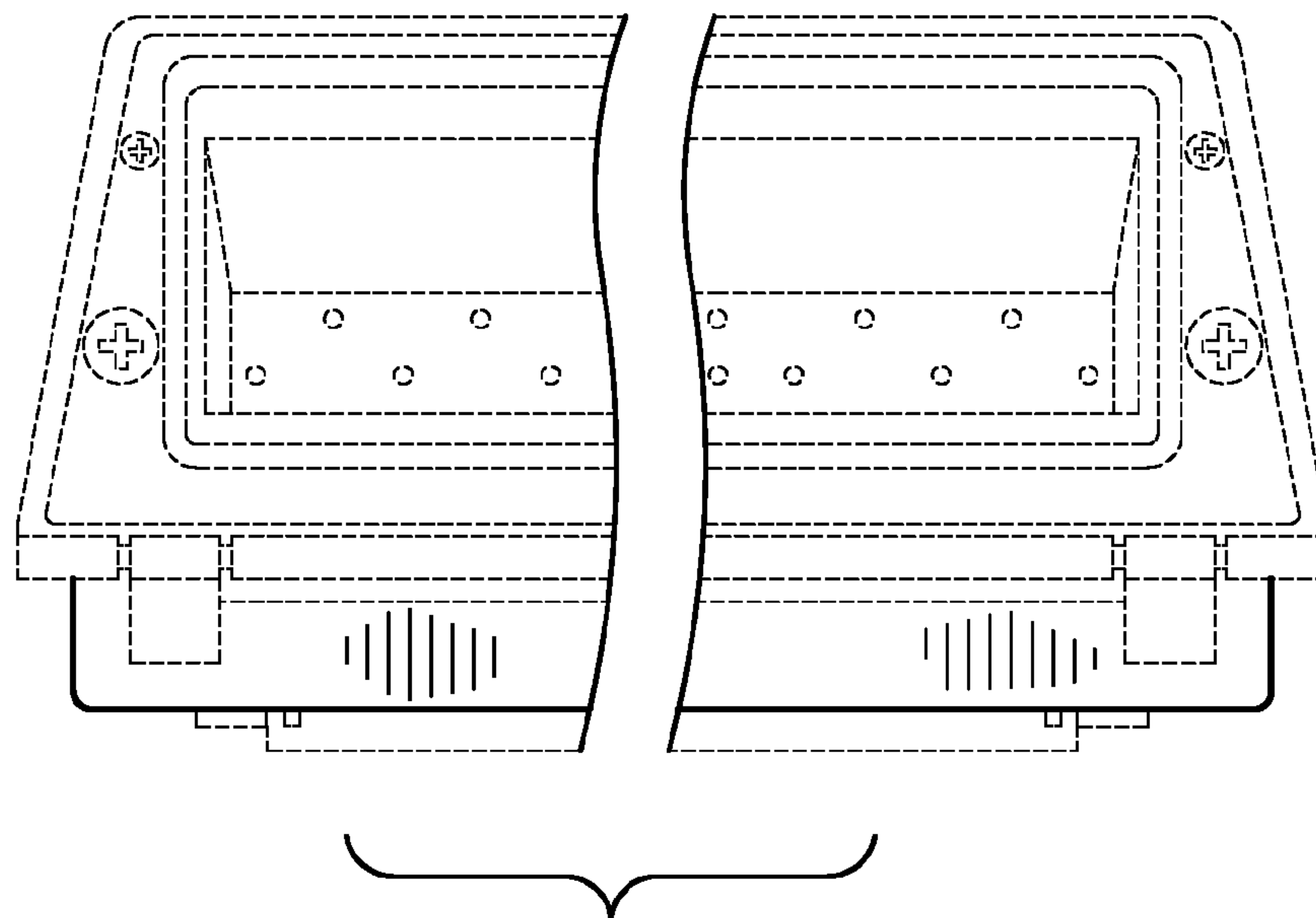


FIG. 5

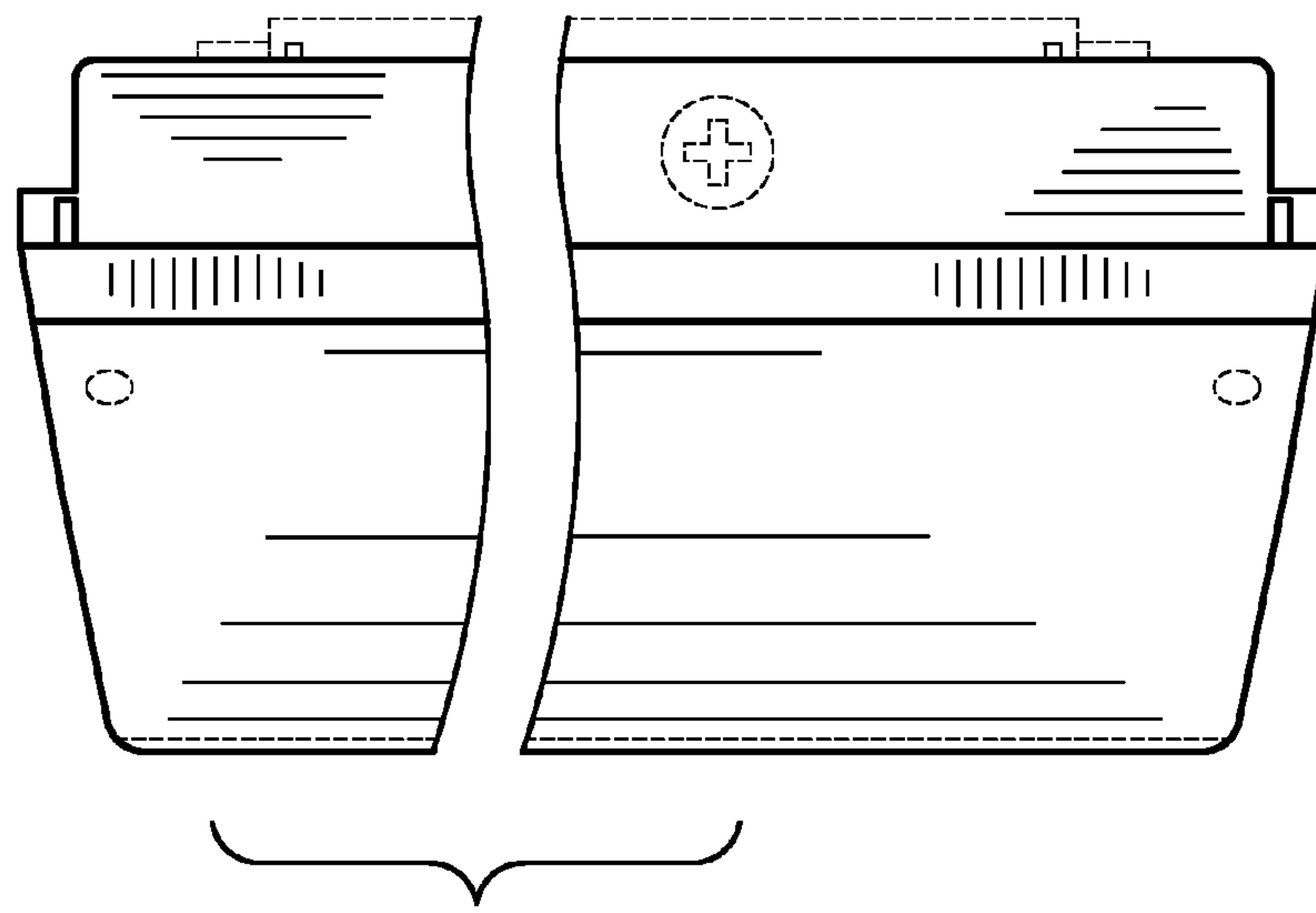


FIG. 6

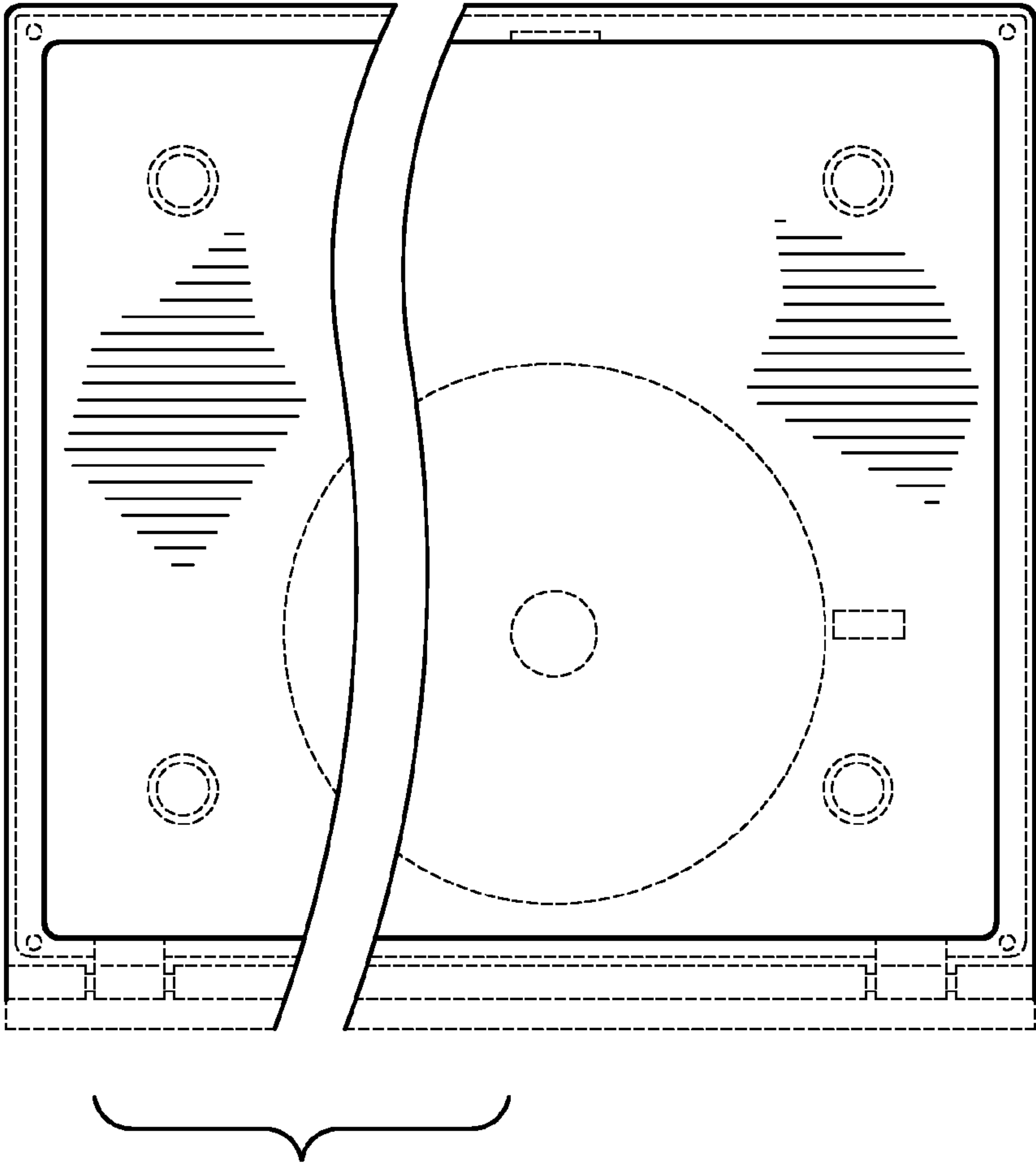


FIG. 7

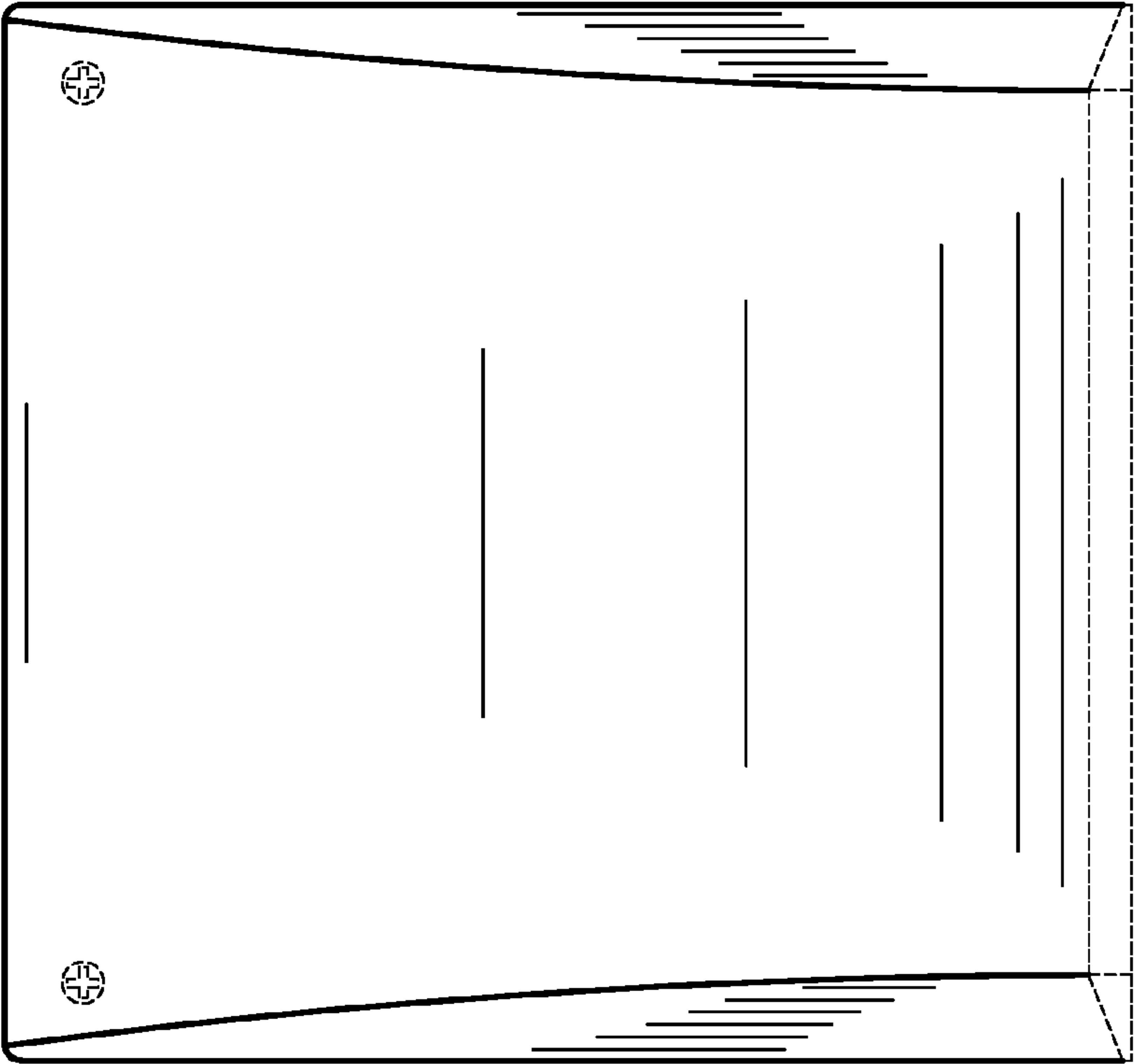


FIG. 8

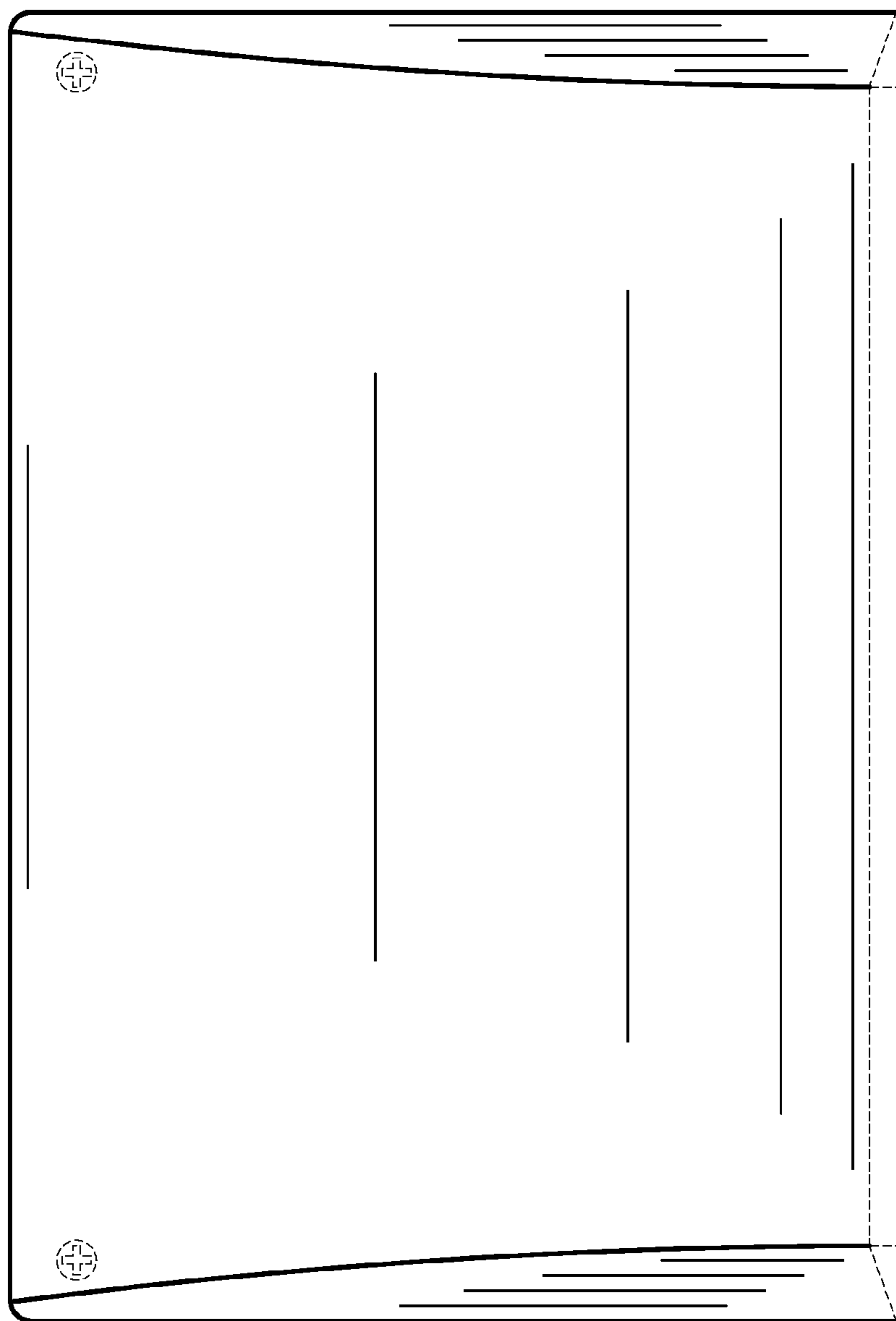


FIG. 9

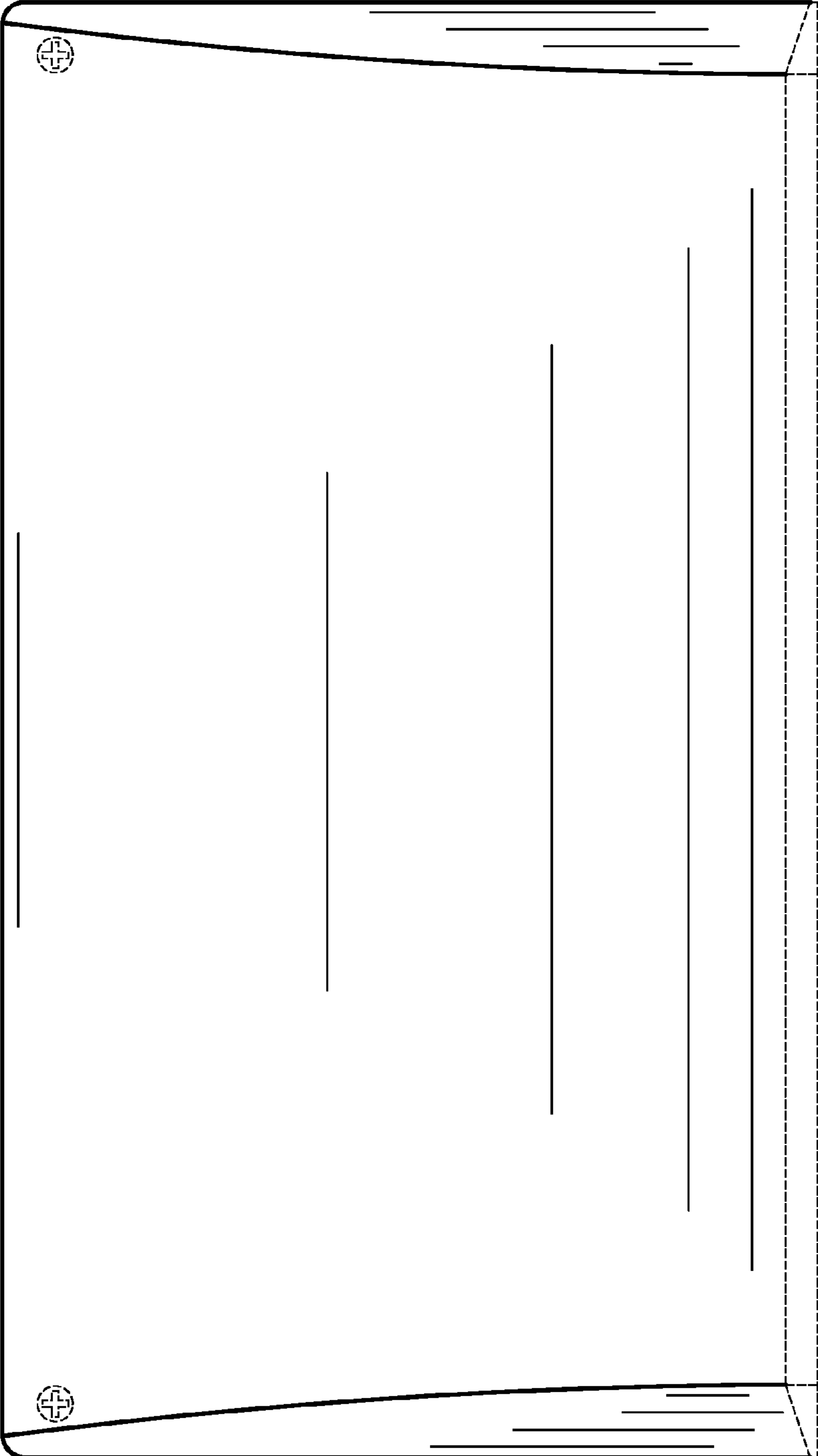


FIG. 10