



US00D691318S

(12) **United States Design Patent**
Wilcox et al.

(10) **Patent No.:** **US D691,318 S**

(45) **Date of Patent:** **** Oct. 8, 2013**

(54) **LIGHTING FIXTURE**

(75) Inventors: **Kurt S. Wilcox**, Libertyville, IL (US);
Mario A. Castillo, New Braunfels, TX (US)

(73) Assignee: **Cree, Inc.**, Durham, NC (US)

(**) Term: **14 Years**

(21) Appl. No.: **29/429,731**

(22) Filed: **Aug. 15, 2012**

(51) **LOC (9) Cl.** **26-03**

(52) **U.S. Cl.**
USPC **D26/85**

(58) **Field of Classification Search**
USPC D26/72, 85-87, 92, 118; 362/147,
362/432
See application file for complete search history.

(56) **References Cited**

U.S. PATENT DOCUMENTS

D114,805 S *	5/1939	Brooks	D26/85
2,269,554 A *	1/1942	Rolph	362/311.06
D190,385 S *	5/1961	Schreckengost	D26/85
D214,938 S	8/1969	Pettengill		
D272,193 S	1/1984	Sangiomo		
D275,658 S *	9/1984	Kahl et al.	D10/106.6
5,055,983 A	10/1991	Hunold et al.		
D323,898 S *	2/1992	Schwartz	D26/26
D343,018 S *	1/1994	Garrity	D26/37
D363,250 S *	10/1995	Miyatake	D10/114.1
D465,048 S *	10/2002	Gaskins et al.	D26/72
D503,822 S *	4/2005	Monroe et al.	D26/85
D525,386 S *	7/2006	McCarthy, III	D26/85
7,111,961 B2	9/2006	Trenchard et al.		
D548,873 S *	8/2007	Su	D26/85
D569,029 S *	5/2008	Guercio	D26/85

D589,196 S *	3/2009	Stone et al.	D26/72
7,677,766 B2	3/2010	Boyer		
D620,181 S *	7/2010	Sanoner	D26/85
D630,366 S	1/2011	Beach, Jr. et al.		
D635,710 S *	4/2011	Jean	D26/85
D646,016 S	9/2011	Choi et al.		
D655,848 S	3/2012	Yu Chung Han		
D655,860 S	3/2012	Choi et al.		
D656,262 S	3/2012	Yoshinobu et al.		

* cited by examiner

Primary Examiner — Clare E Heflin

(74) *Attorney, Agent, or Firm* — McCracken & Frank LLC

(57) **CLAIM**

The ornamental design for a lighting fixture, as shown and described.

DESCRIPTION

FIG. 1 is an isometric view of a top, front, and left side of an ornamental design for a lighting fixture;

FIG. 2 is a front elevational view of the lighting fixture of FIG. 1;

FIG. 3 is a rear elevational view of the lighting fixture of FIG. 1;

FIG. 4 is a left side elevational view of the lighting fixture of FIG. 1;

FIG. 5 is a right side elevational view of the lighting fixture of FIG. 1;

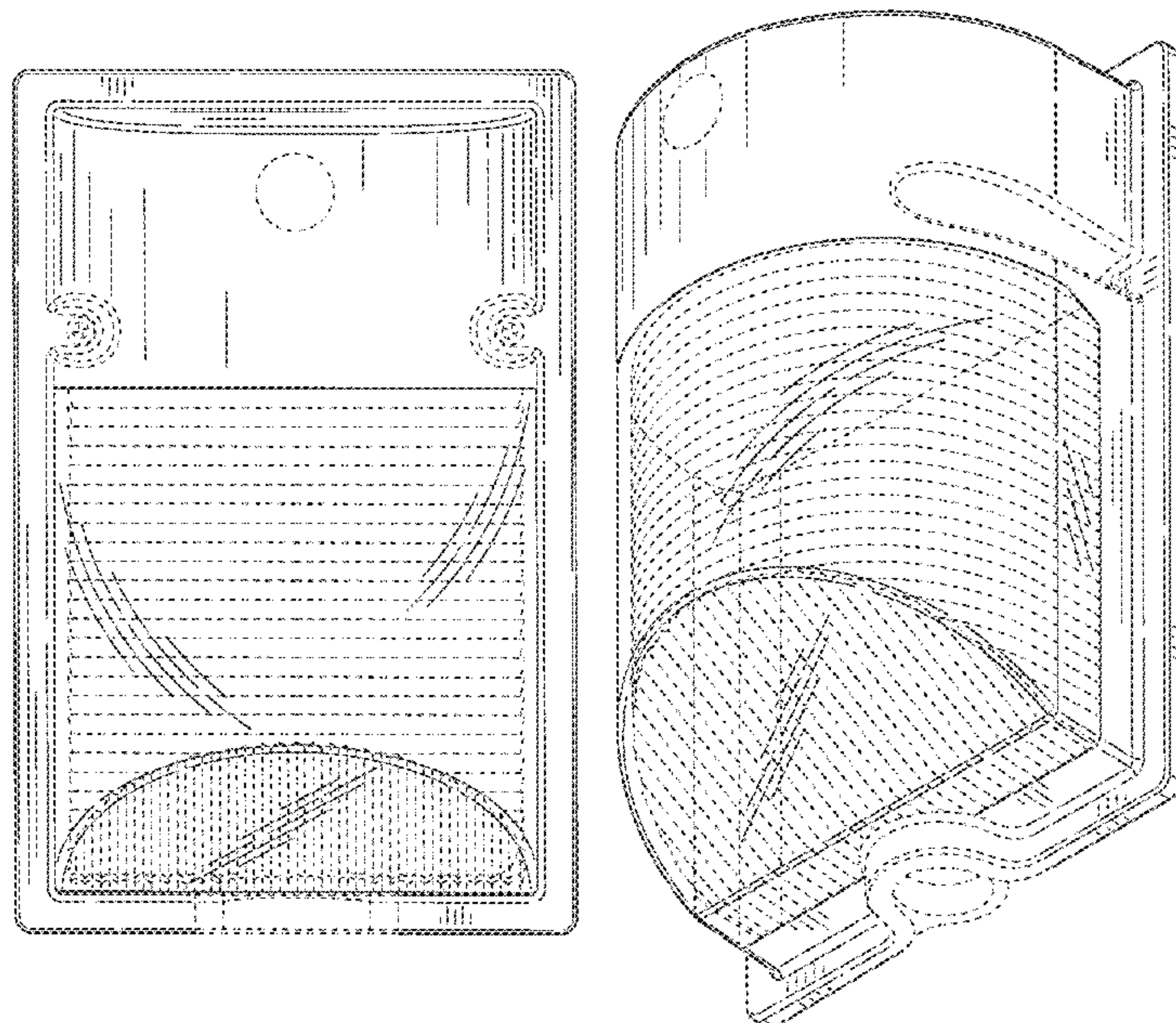
FIG. 6 is a top plan view of the lighting fixture of FIG. 1;

FIG. 7 is a bottom plan view of the lighting fixture of FIG. 1; and,

FIG. 8 is an isometric view of a bottom, front, and left side of the lighting fixture of FIG. 1.

The broken lines are for the purpose of illustrating environmental structure and form no part of the claimed design.

1 Claim, 5 Drawing Sheets



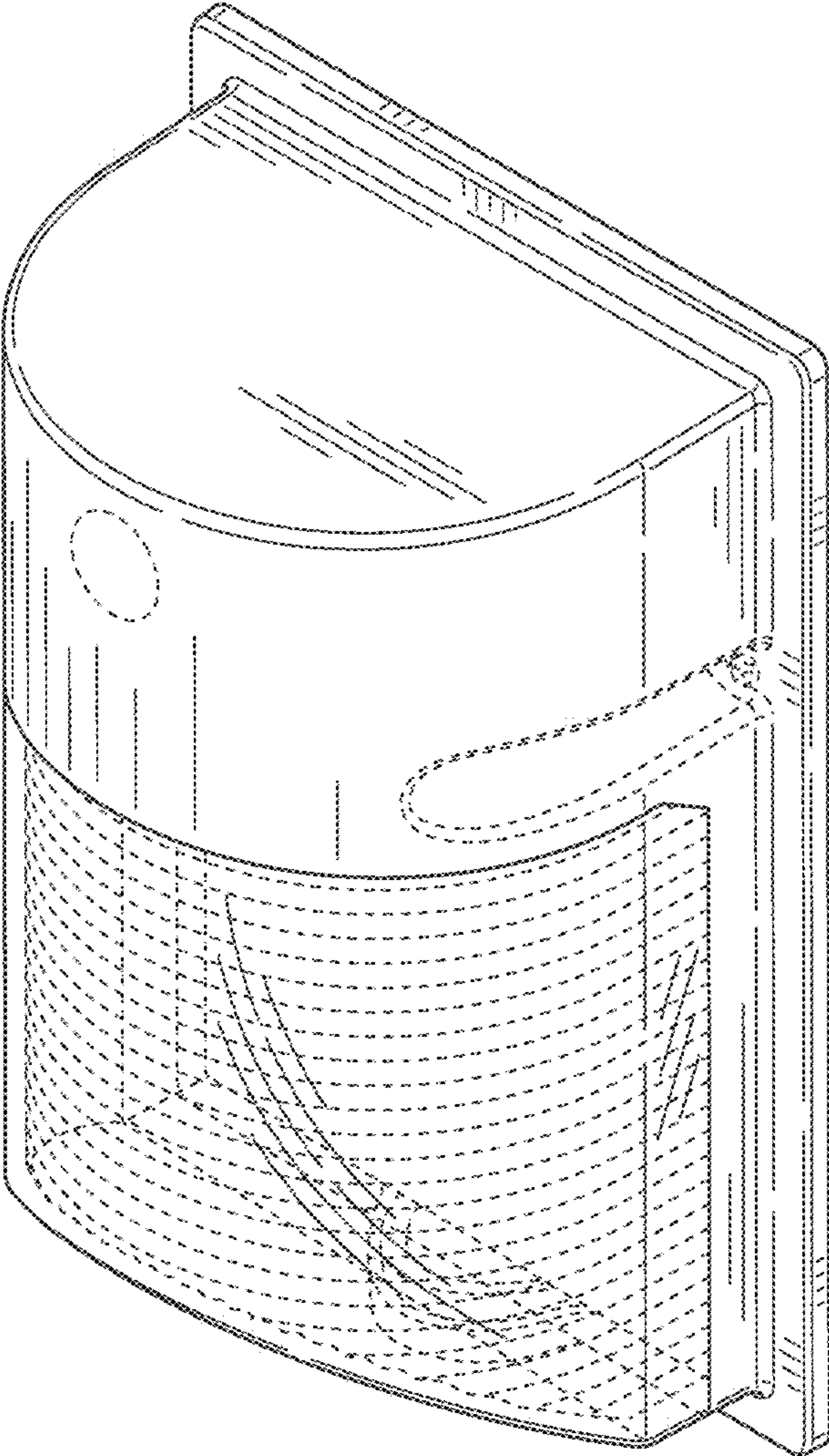


FIG. 1

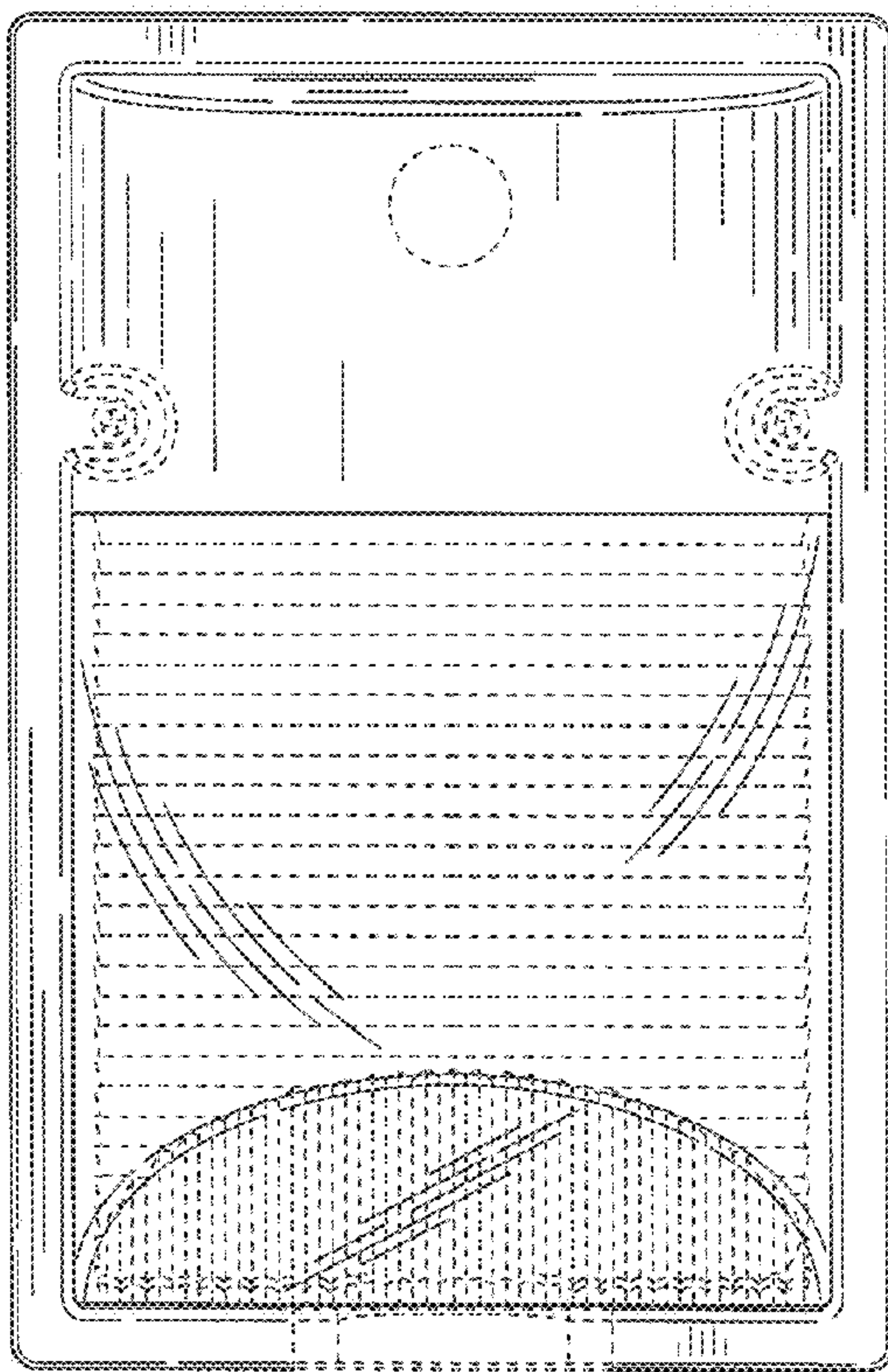


FIG. 2

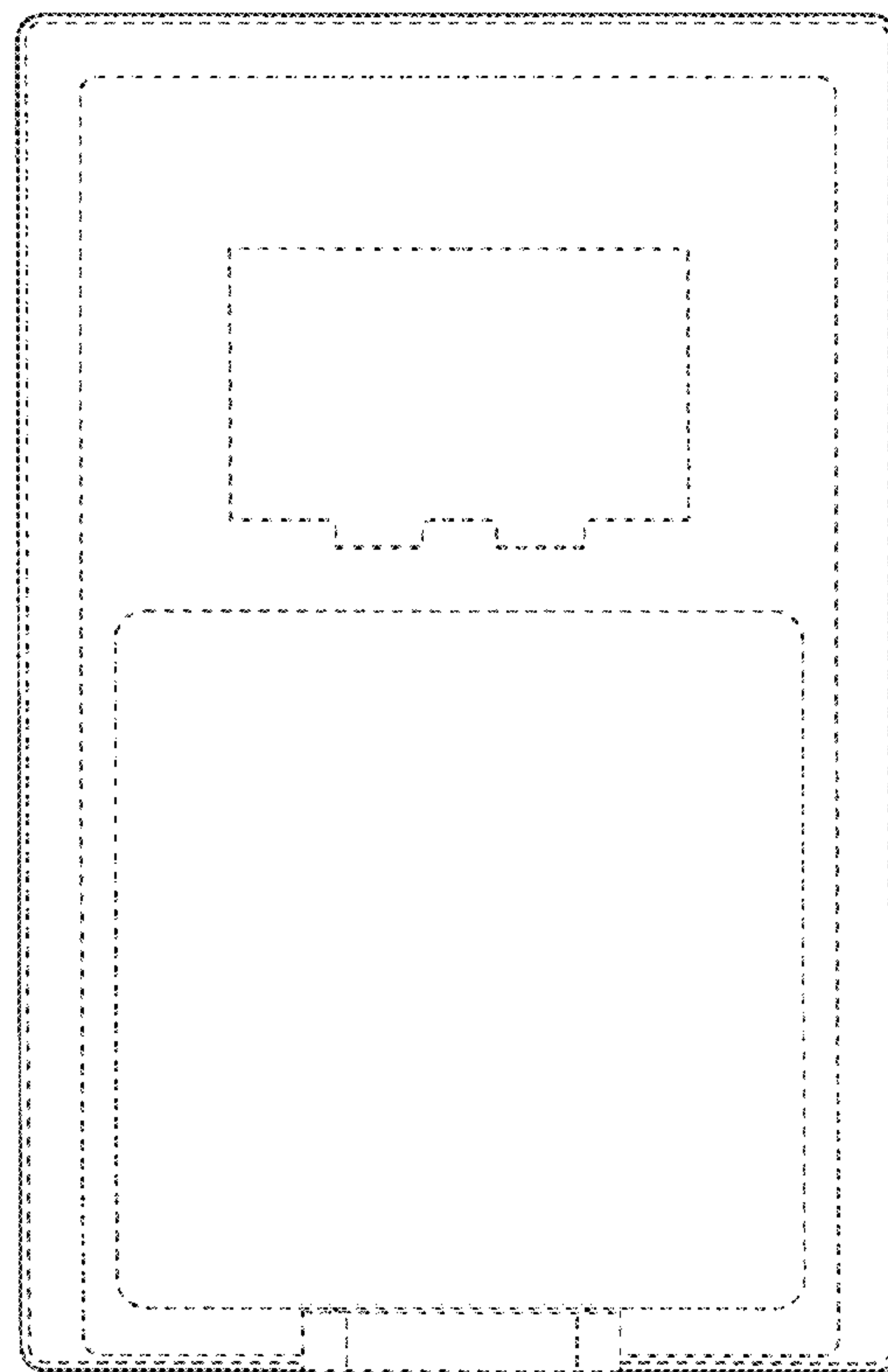


FIG. 3

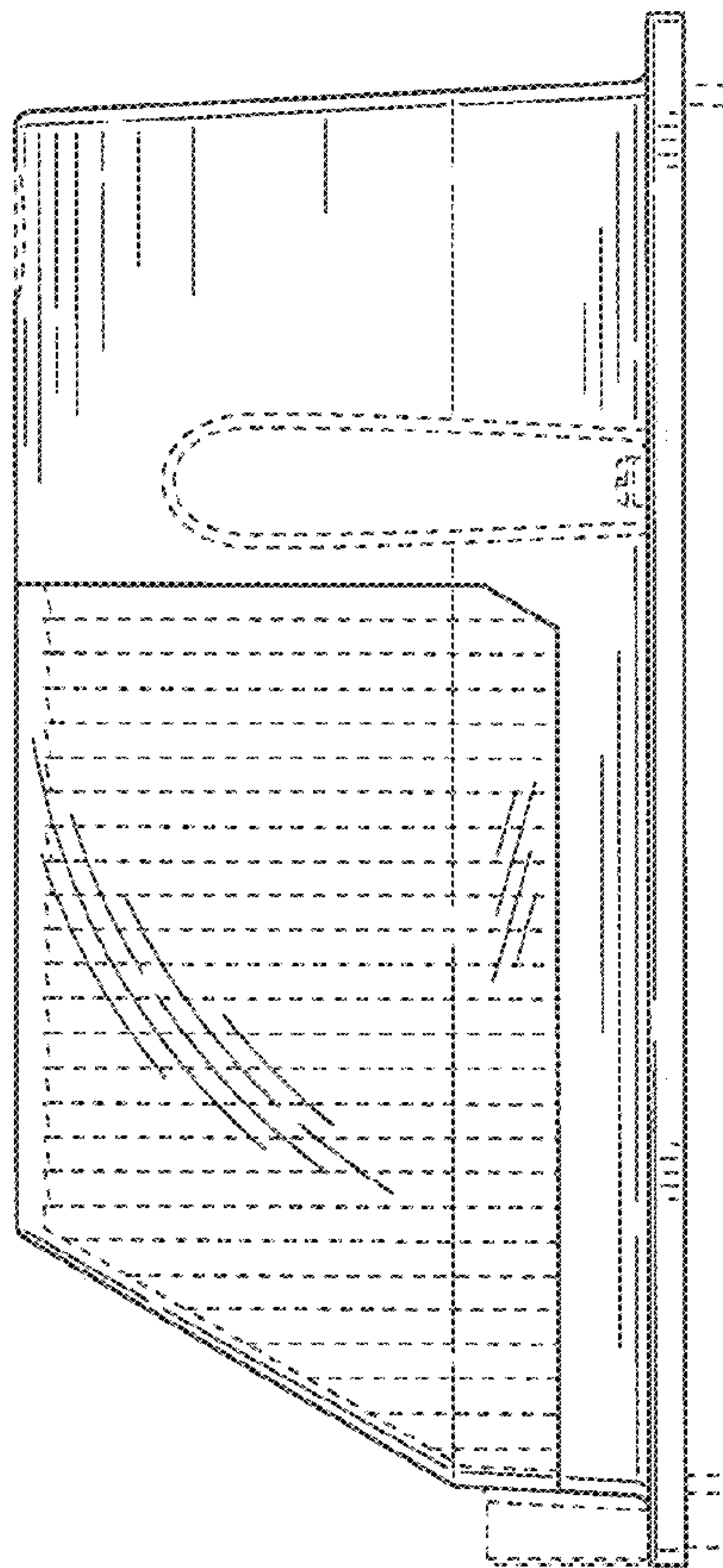


FIG. 4

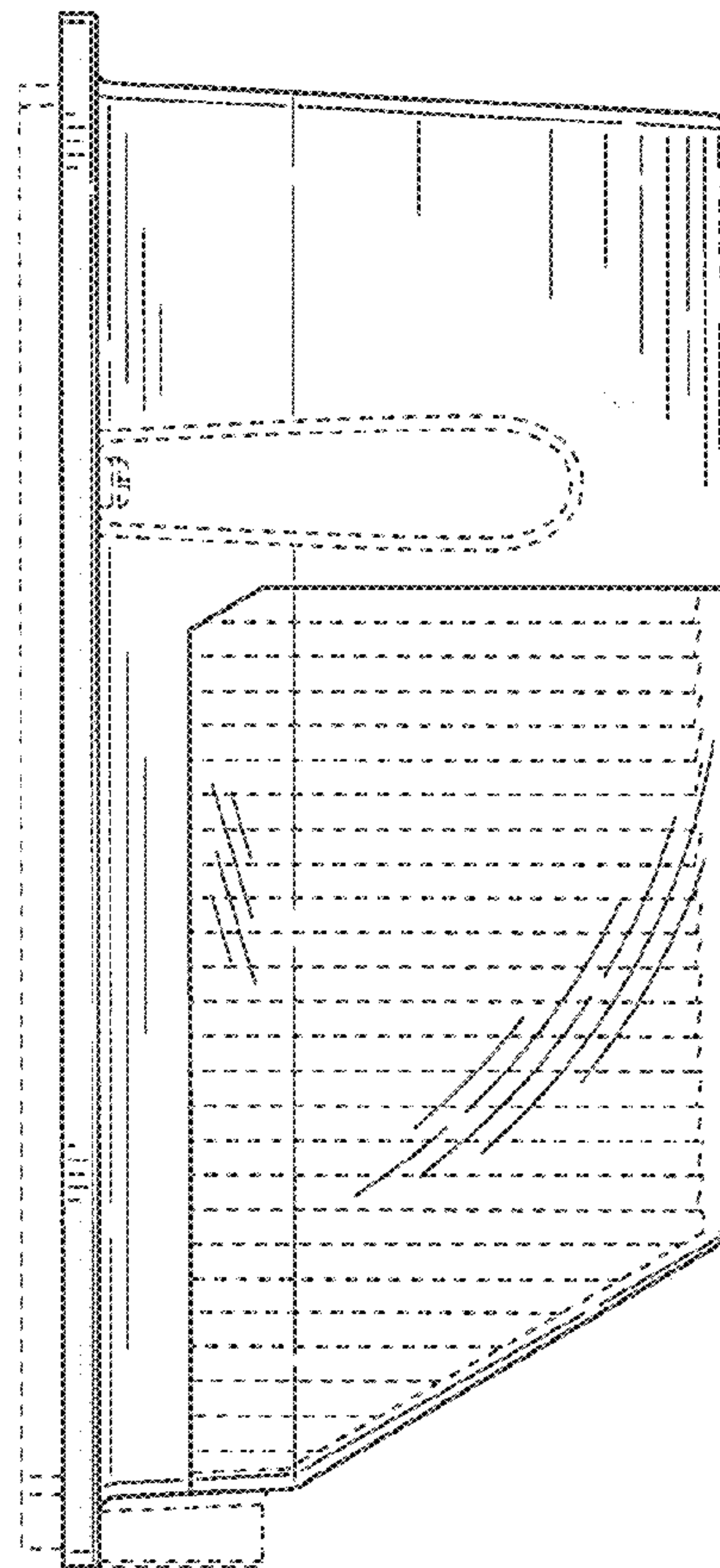


FIG. 5

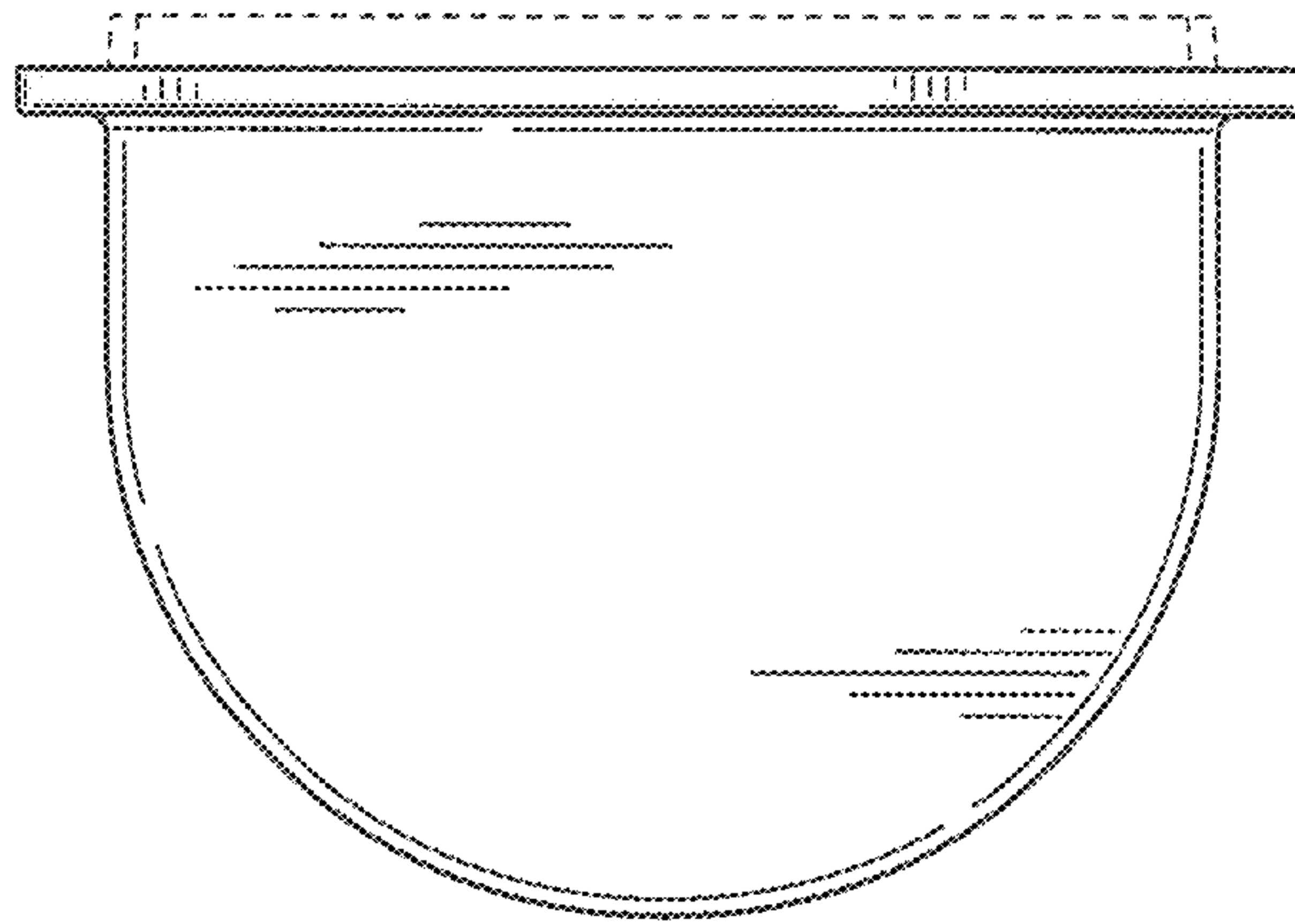


FIG. 6

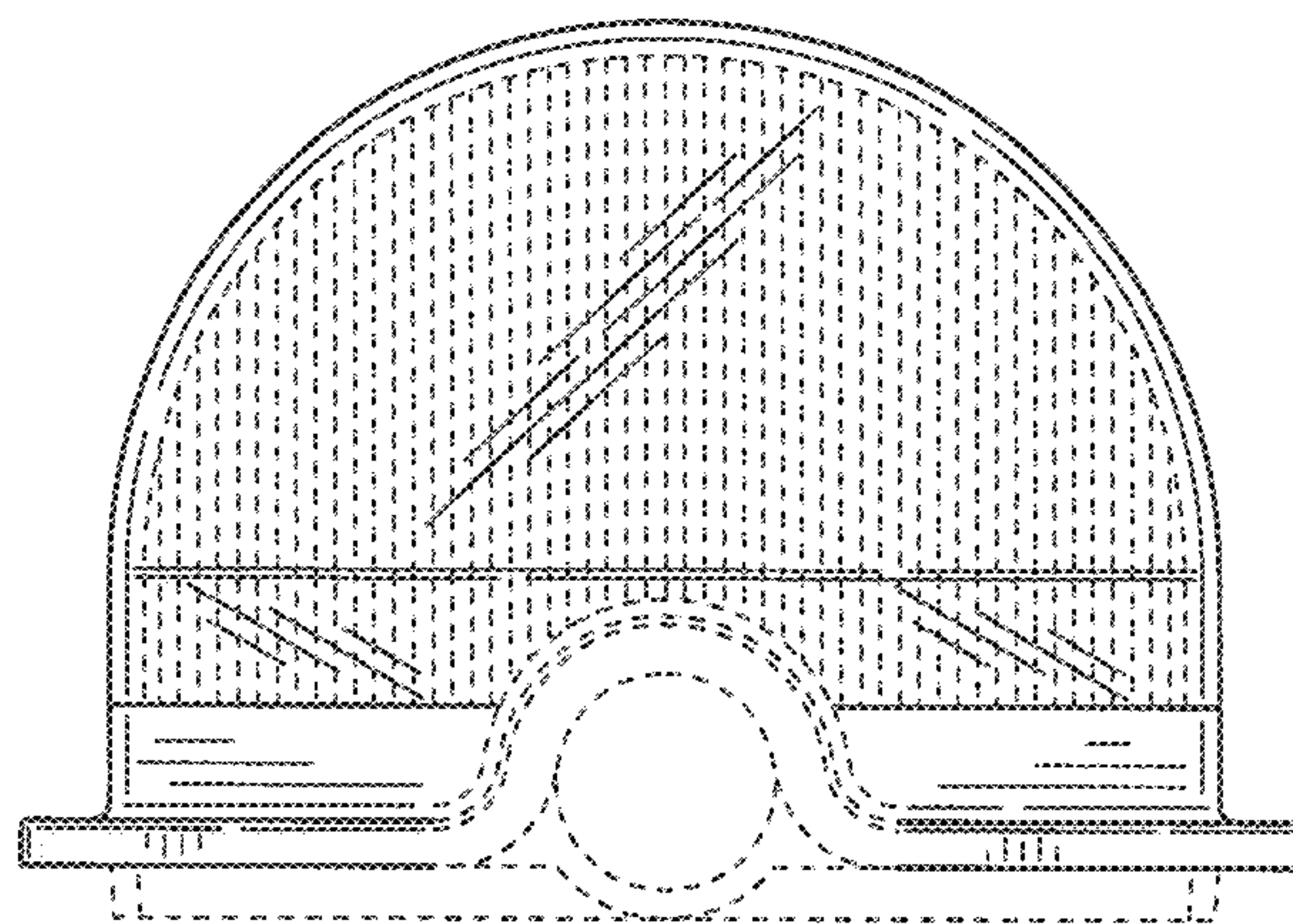


FIG. 7

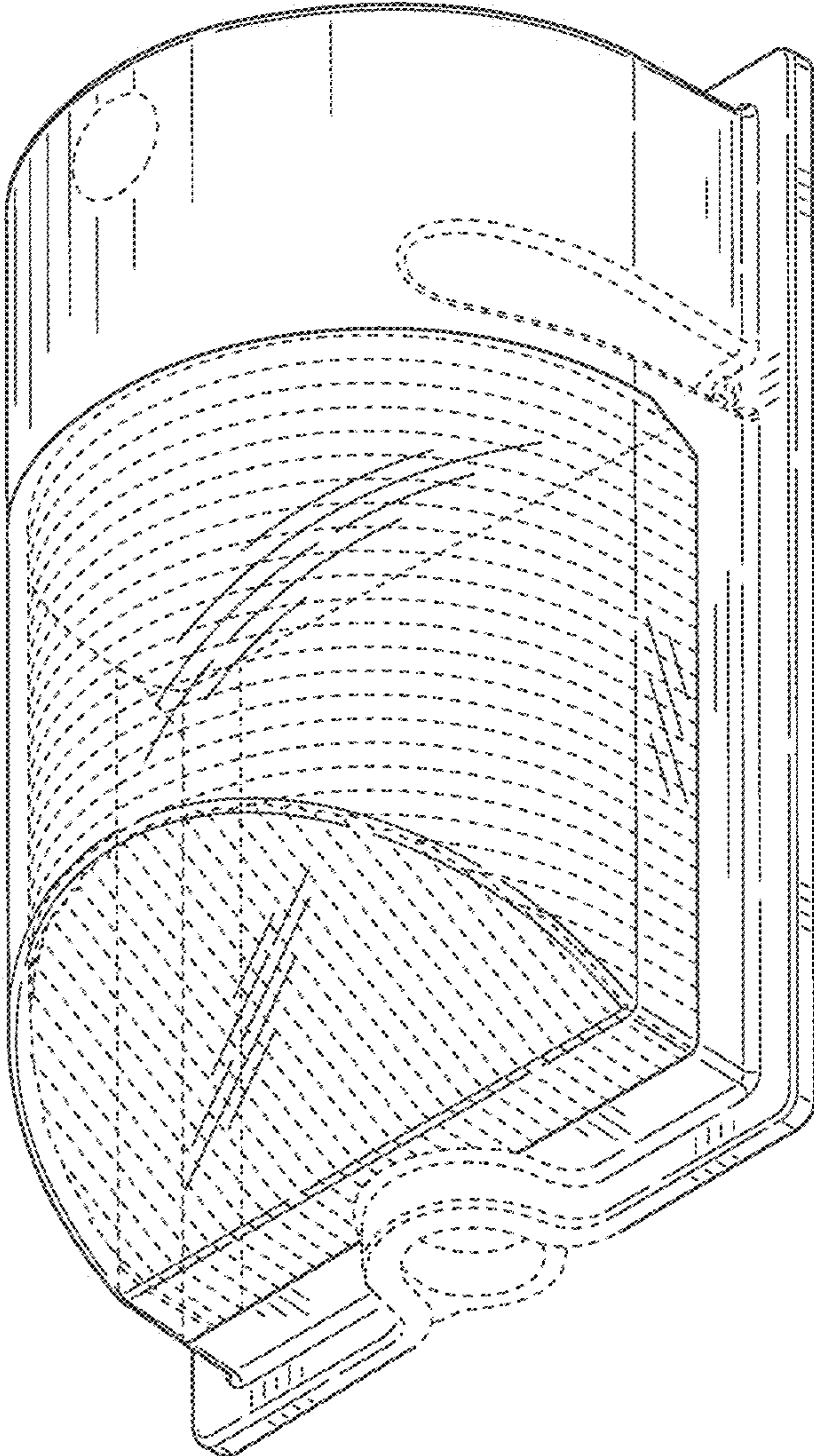


FIG. 8