



US00D691316S

(12) **United States Design Patent**
Rashidi

(10) **Patent No.:** **US D691,316 S**

(45) **Date of Patent:** **** *Oct. 8, 2013**

(54) **COMMERCIAL LED FIXTURE WITH MAIN REFLECTOR HAVING A PAIR OF OPPOSITELY DISPOSED WALL WASHES**

2011/0075411 A1* 3/2011 Van De Ven et al. 362/235
2012/0140490 A1* 6/2012 Rowlette et al. 362/373
2012/0212957 A1* 8/2012 Hyun et al. 362/241

* cited by examiner

(76) Inventor: **Hamid Rashidi**, Commerce, CA (US)

Primary Examiner — Angela J Lee

(*) Notice: This patent is subject to a terminal disclaimer.

(74) *Attorney, Agent, or Firm* — Thomas I. Rozsa

(**) Term: **14 Years**

(57) **CLAIM**

The ornamental design for a commercial LED fixture with main reflector having a pair of oppositely disposed wall washes, as shown and described.

(21) Appl. No.: **29/410,648**

DESCRIPTION

(22) Filed: **Jan. 10, 2012**

(51) **LOC (9) Cl.** **26-05**

(52) **U.S. Cl.**

USPC **D26/74**

(58) **Field of Classification Search**

USPC D26/24, 72, 80, 81, 83, 85, 88, 89,
D26/91, 113, 118, 123, 124, 138, 74, 76;
362/145, 146, 147, 148, 150, 153, 294, 296.01,
362/296.07, 296.08, 311.07, 311.09, 311.1,
362/345, 364, 365, 366, 373

See application file for complete search history.

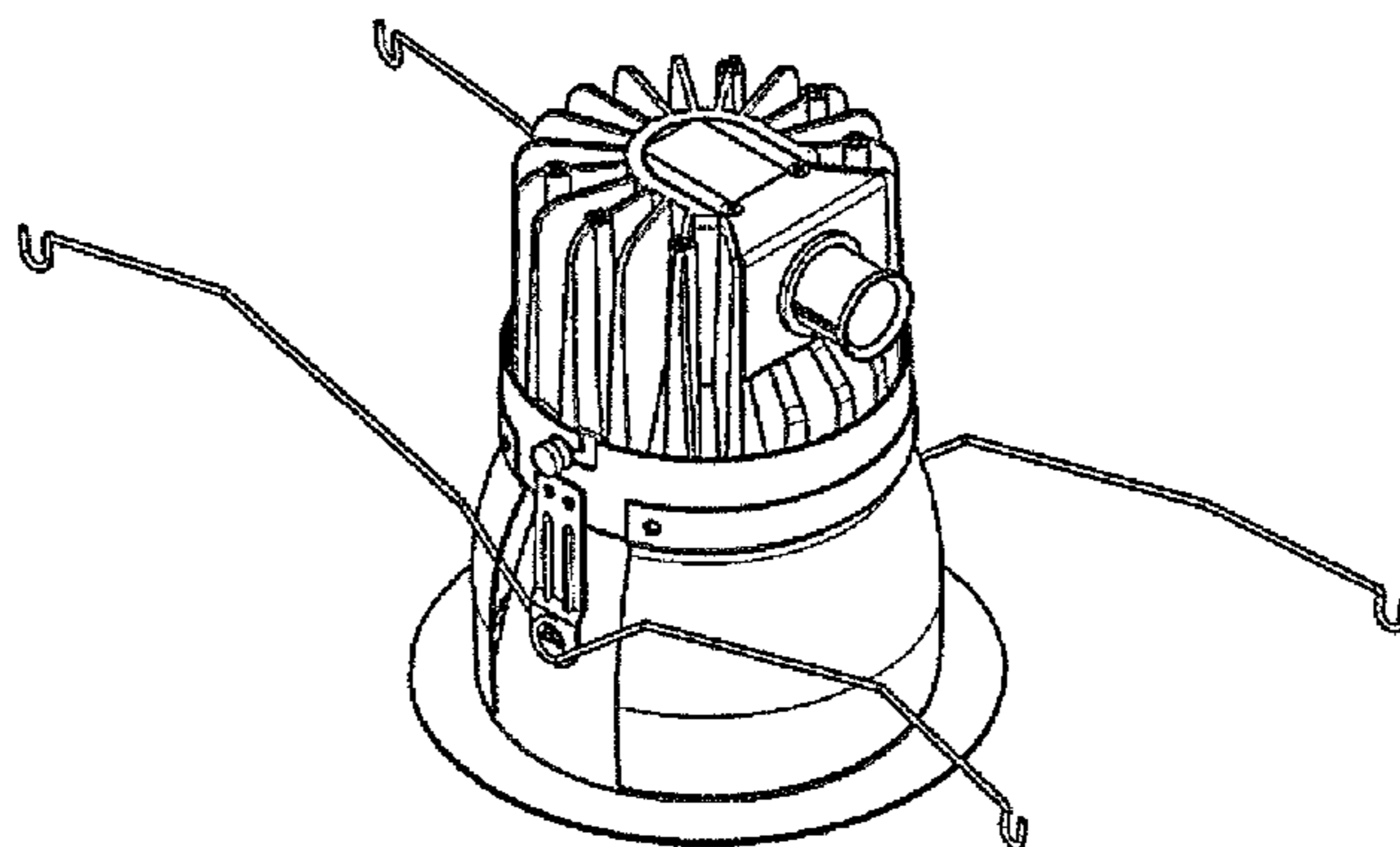
FIG. 1 is a side perspective view of a first embodiment of the commercial LED fixture with main reflector having a pair of oppositely disposed wall washes;
FIG. 2 is a bottom perspective view thereof;
FIG. 3 is a left side elevational view thereof;
FIG. 4 is a right side elevational view thereof;
FIG. 5 is a front elevational view thereof;
FIG. 6 is a rear elevational view thereof;
FIG. 7 is a top plan view thereof;
FIG. 8 is bottom plan view thereof;
FIG. 9 is an exploded view thereof;
FIG. 10 is a side perspective view of a second embodiment of the commercial LED fixture with main reflector having a pair of oppositely disposed wall washes;
FIG. 11 is a bottom perspective view thereof;
FIG. 12 is a left side elevational view thereof;
FIG. 13 is a right side elevational view thereof;
FIG. 14 is a front elevational view thereof;
FIG. 15 is a rear elevational view thereof;
FIG. 16 is a top plan view thereof;
FIG. 17 is bottom plan view thereof; and,
FIG. 18 is an exploded view thereof.

(56) **References Cited**

U.S. PATENT DOCUMENTS

D490,181 S *	5/2004	Redfern	D26/72
D601,293 S *	9/2009	MacKenzie	D26/74
D656,262 S *	3/2012	Yoshinobu et al.	D26/74
8,220,970 B1 *	7/2012	Khazi et al.	362/294
8,240,871 B2 *	8/2012	Chou	362/148
D667,155 S *	9/2012	Rashidi	D26/74
D672,899 S *	12/2012	Van De Ven et al.	D26/74
8,348,477 B2 *	1/2013	Tickner et al.	362/365
2009/0129086 A1 *	5/2009	Thompson, III	362/249.02
2010/0259919 A1 *	10/2010	Khazi et al.	362/84

1 Claim, 18 Drawing Sheets



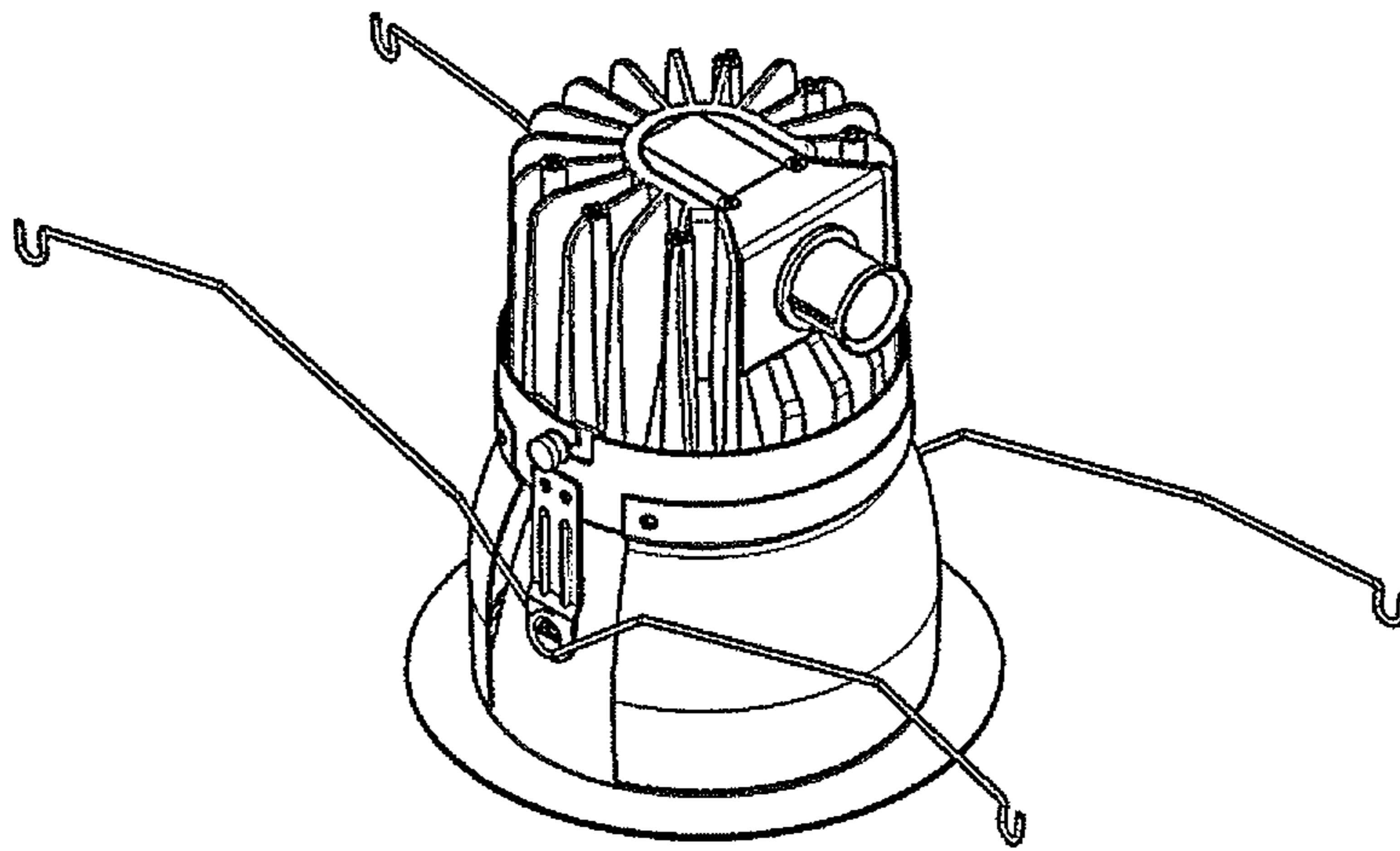


FIG. 1

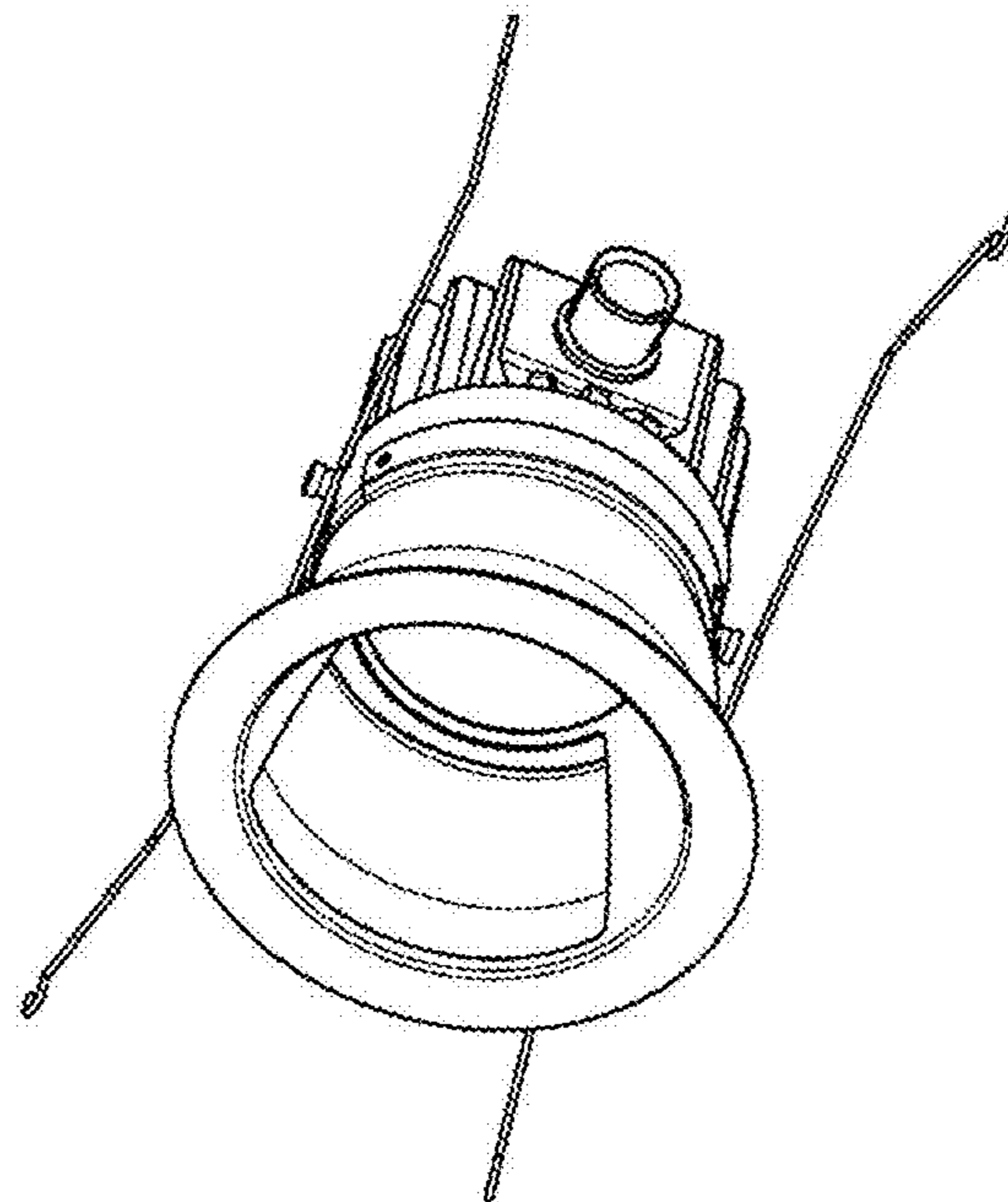


FIG. 2

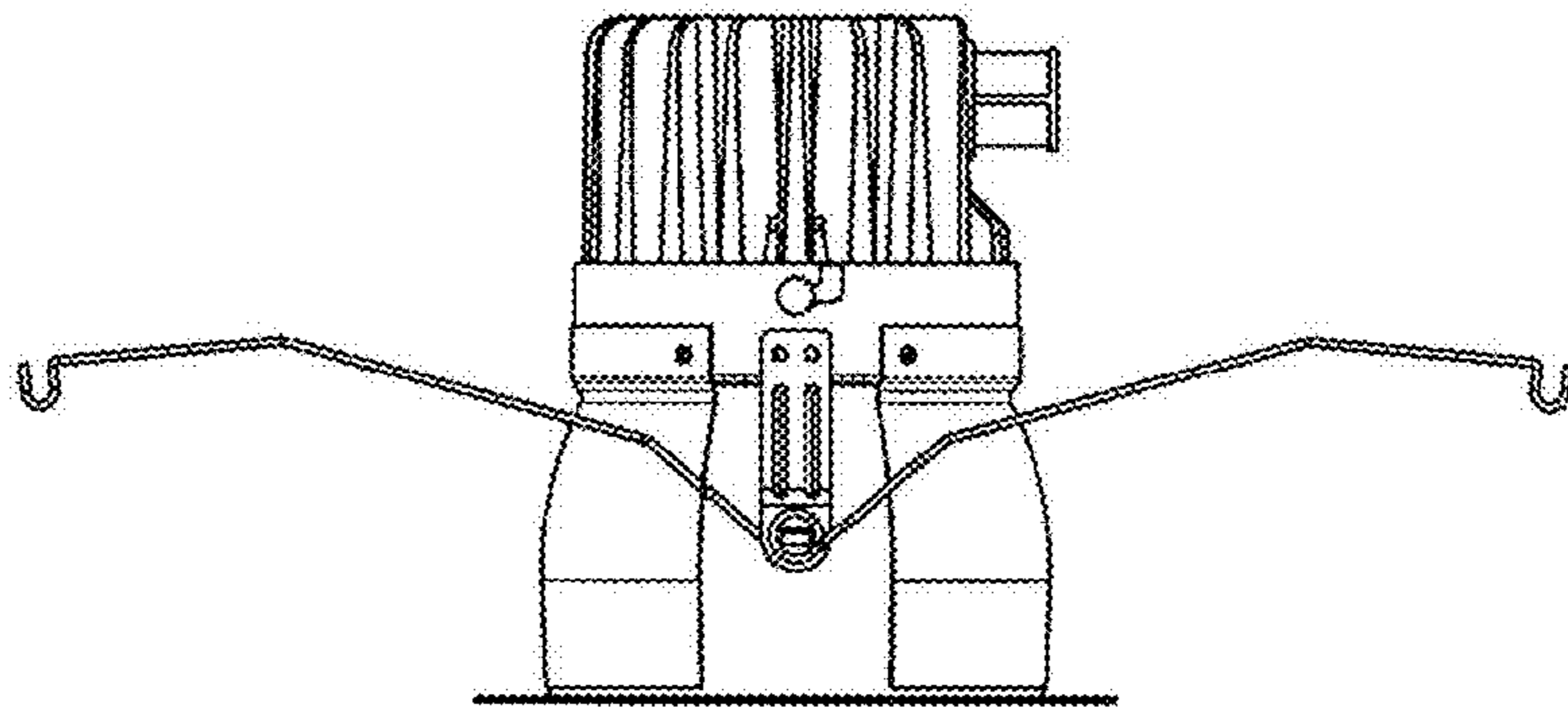


FIG. 3

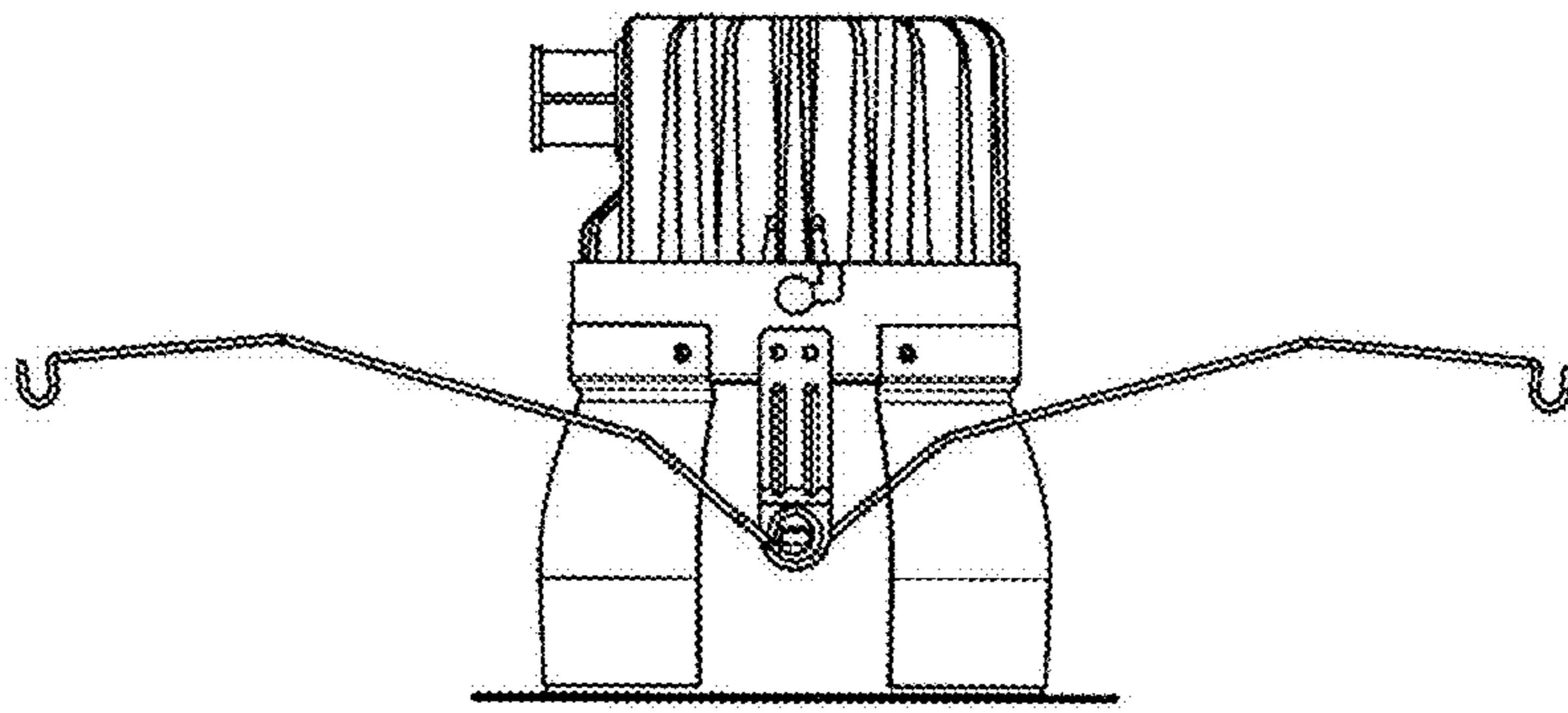


FIG.4

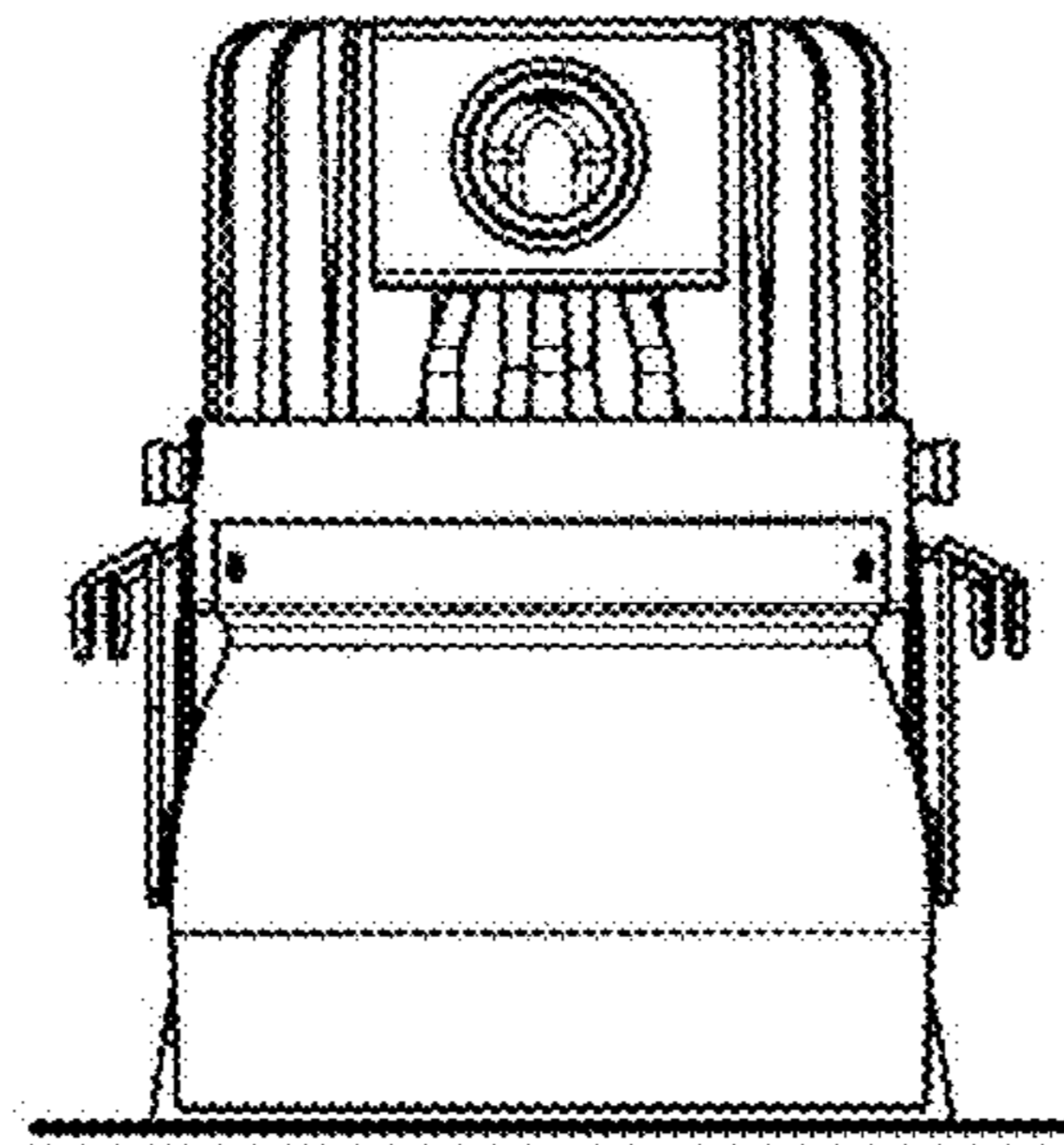


FIG. 5

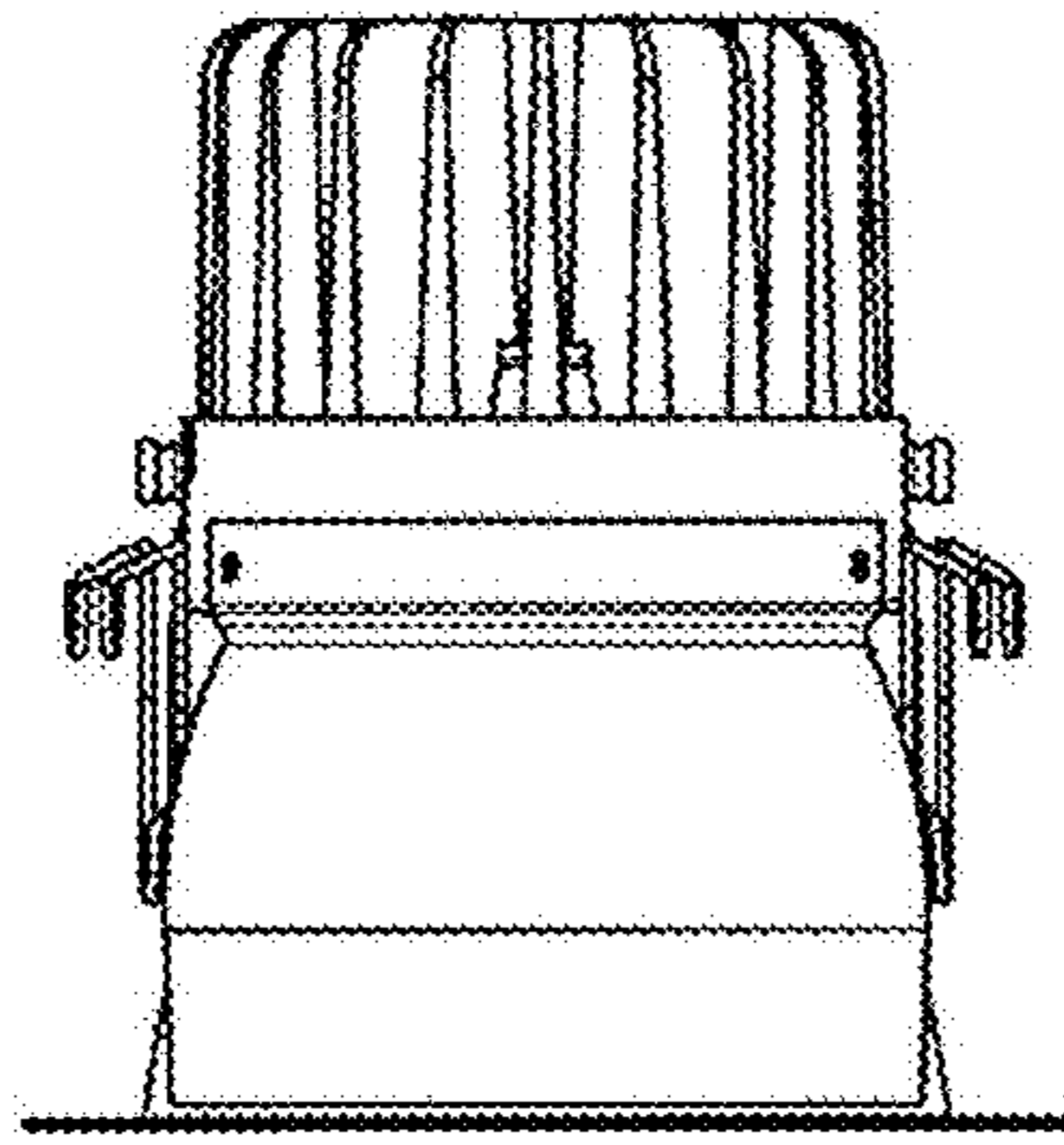


FIG. 6

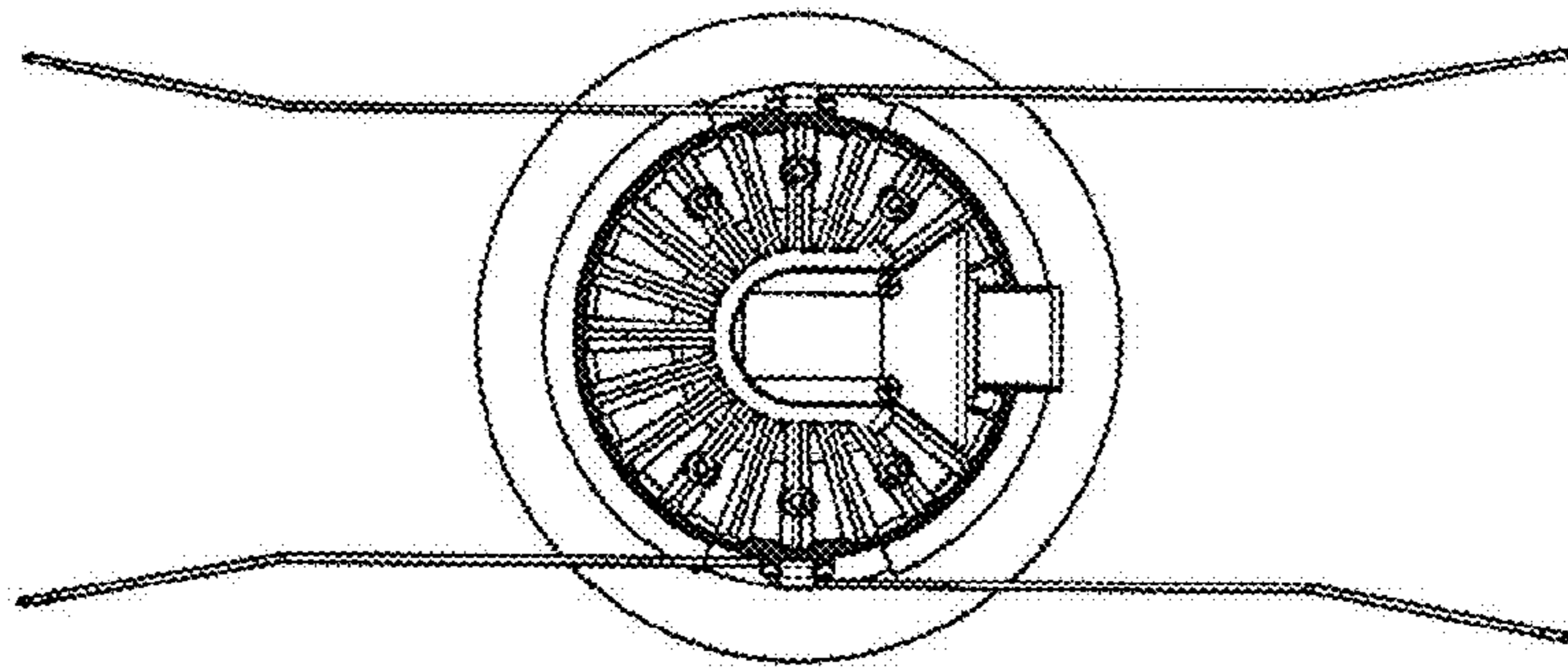


FIG. 7

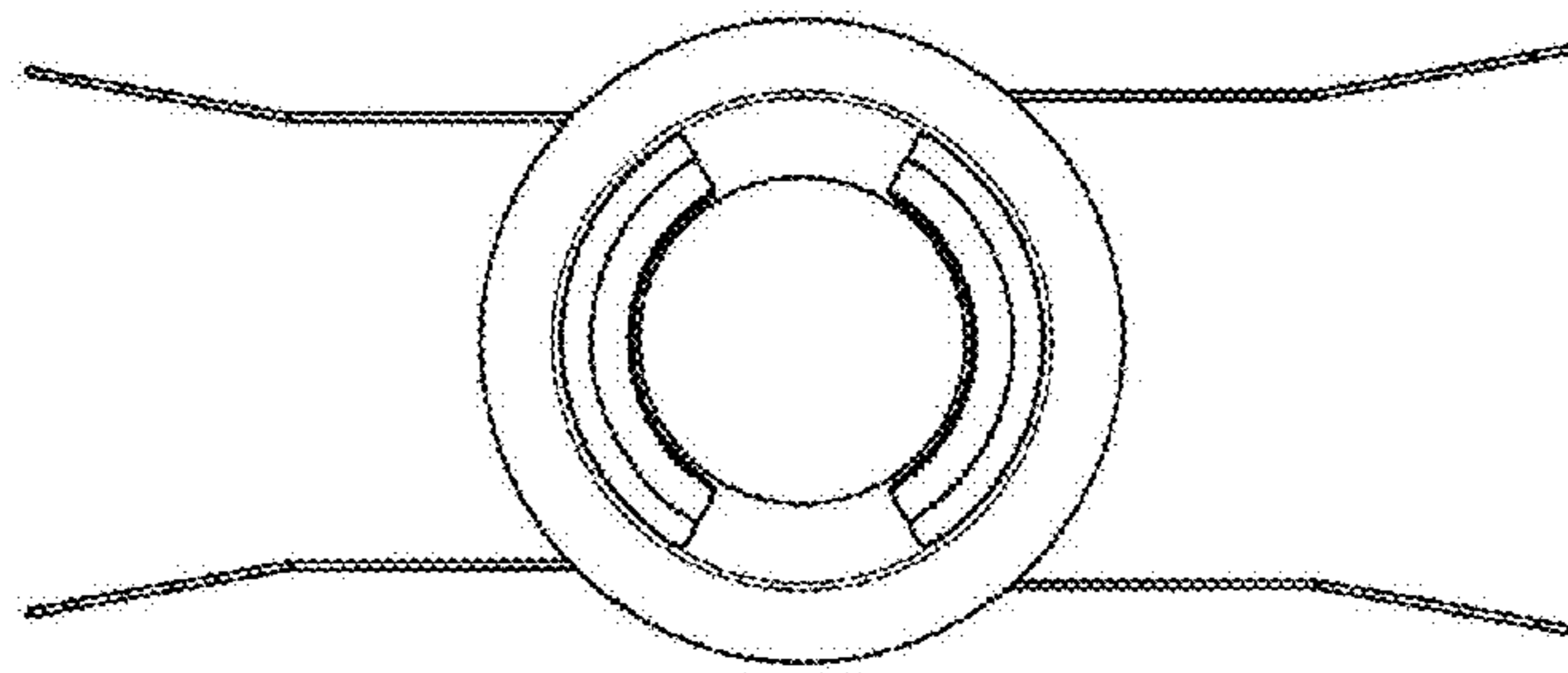


FIG. 8

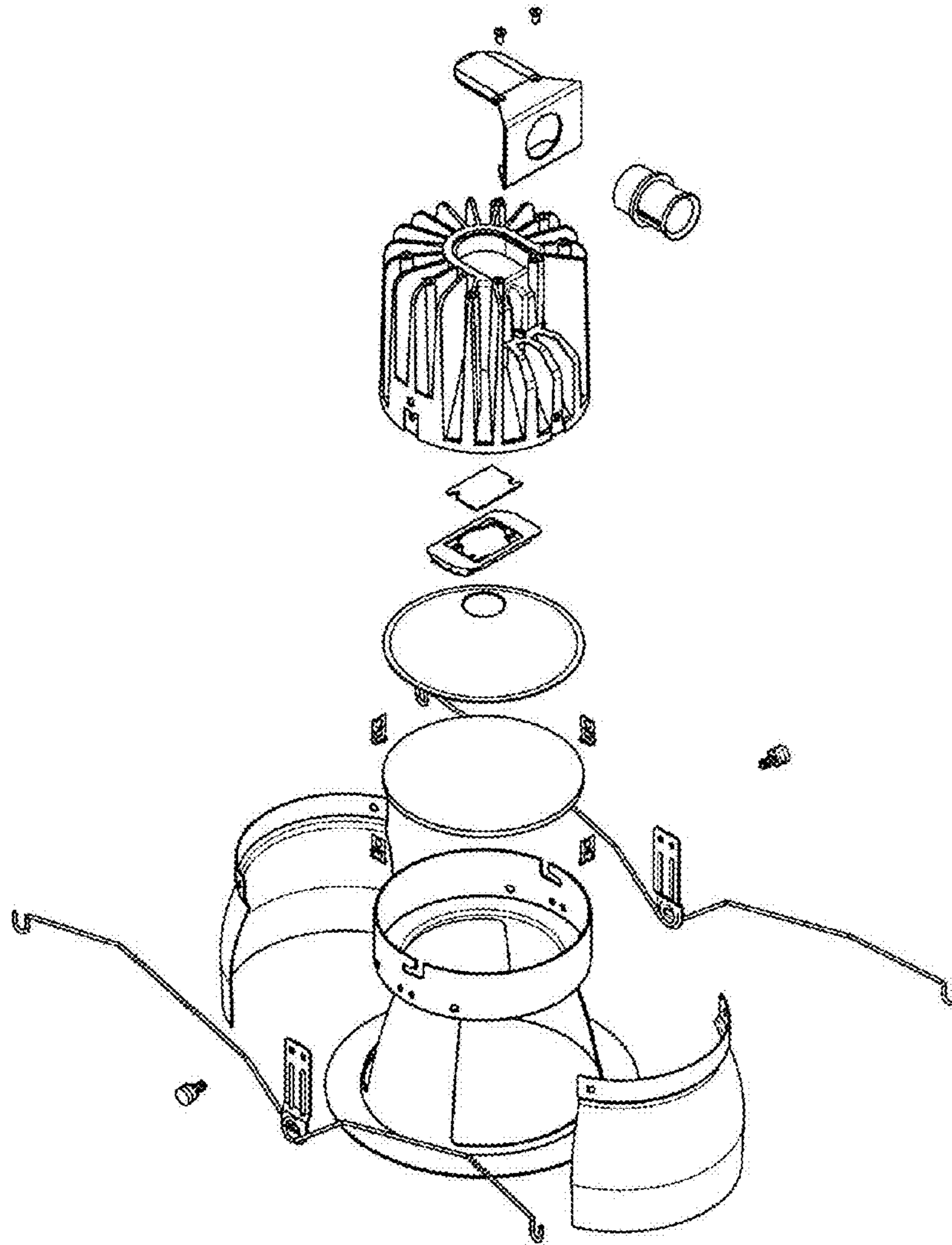


FIG. 9

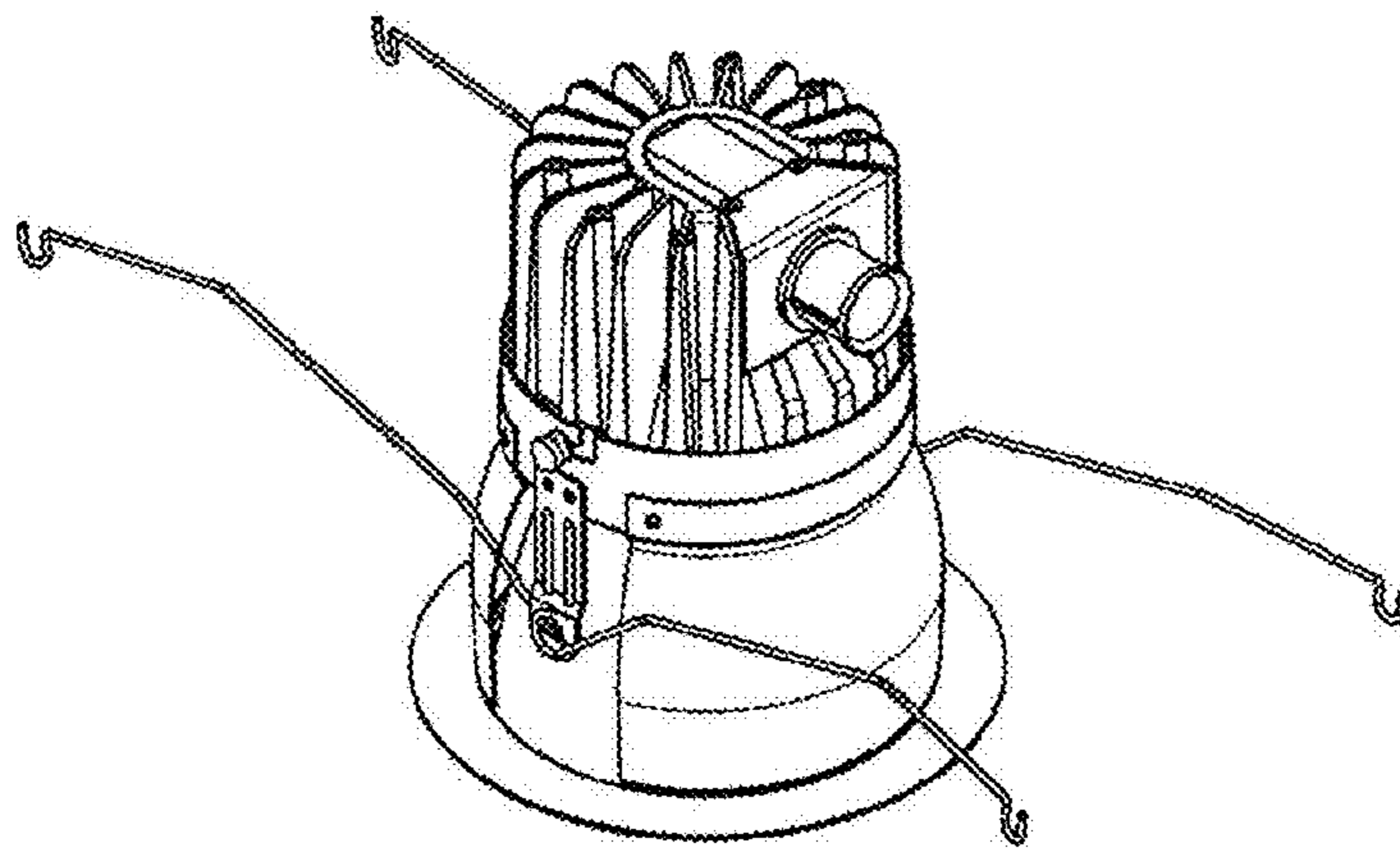


FIG. 10

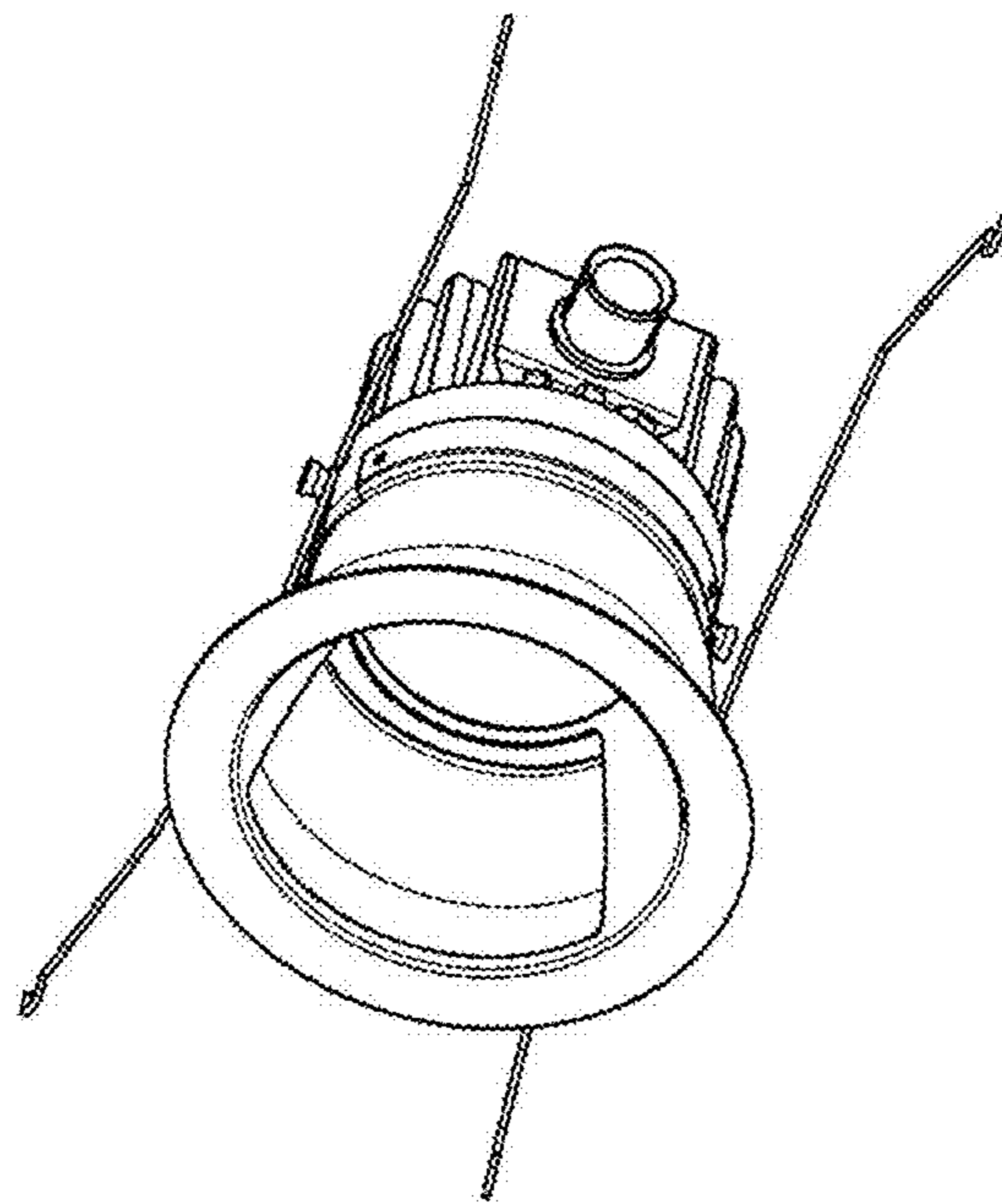


FIG. 11

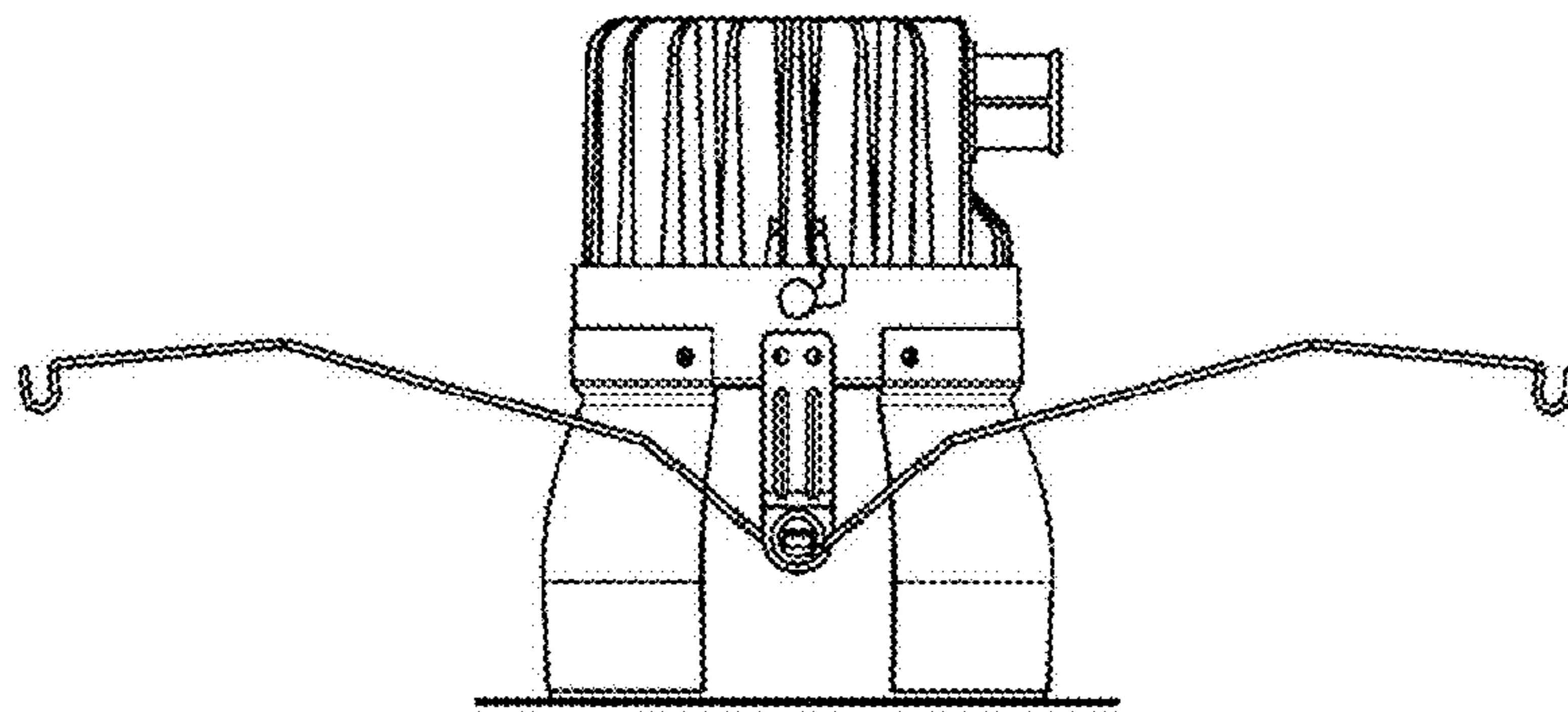


FIG. 12

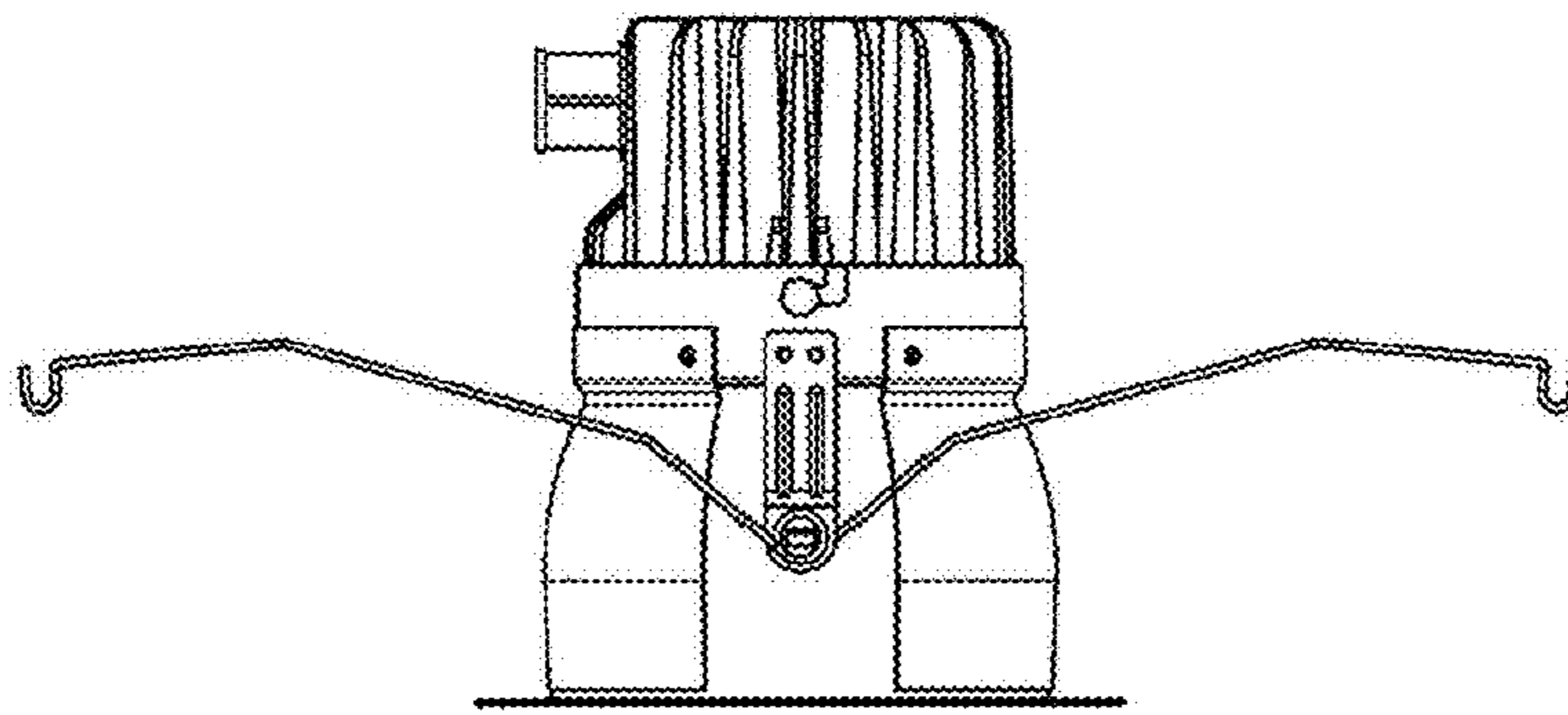


FIG. 13

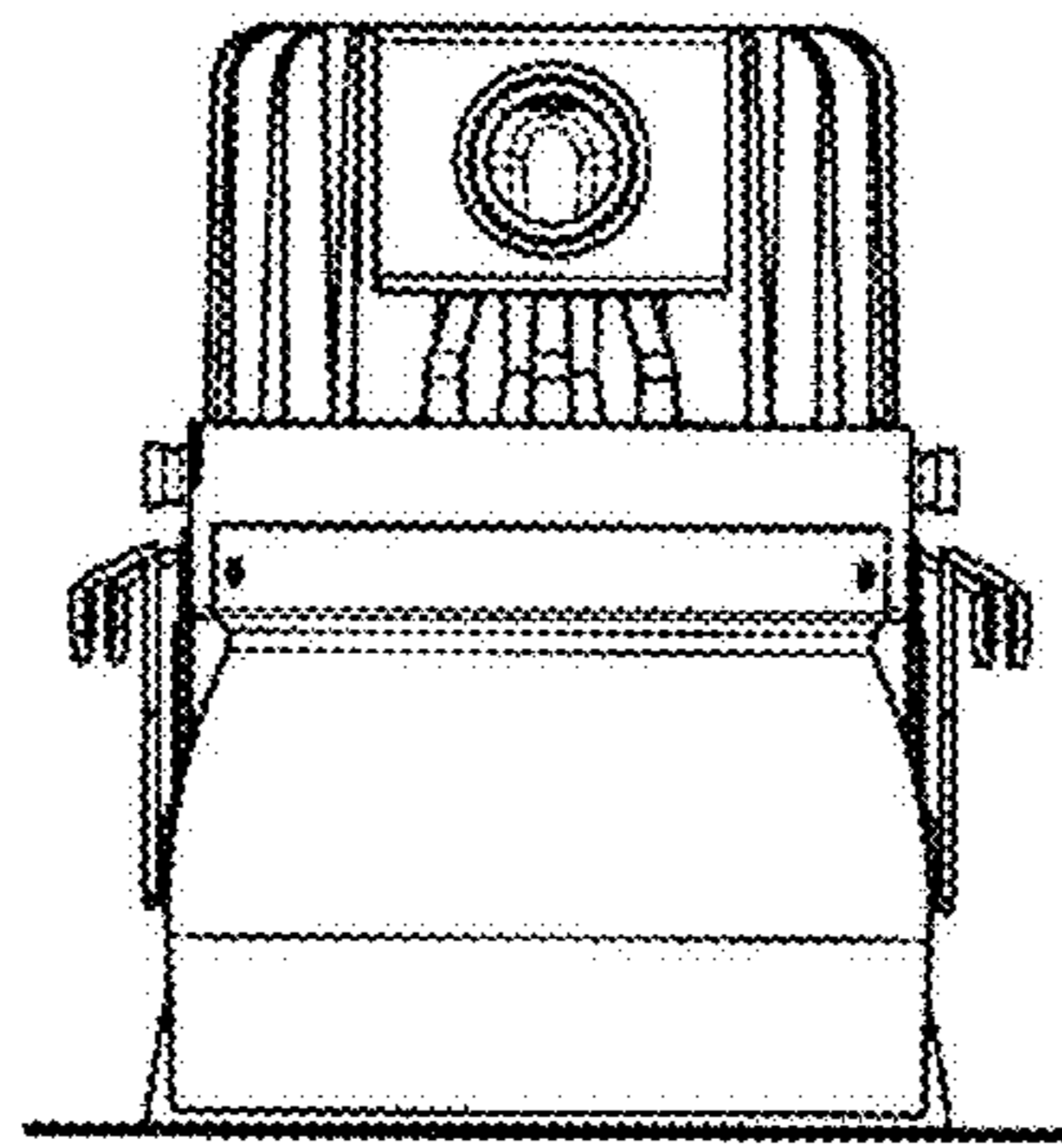


FIG. 14

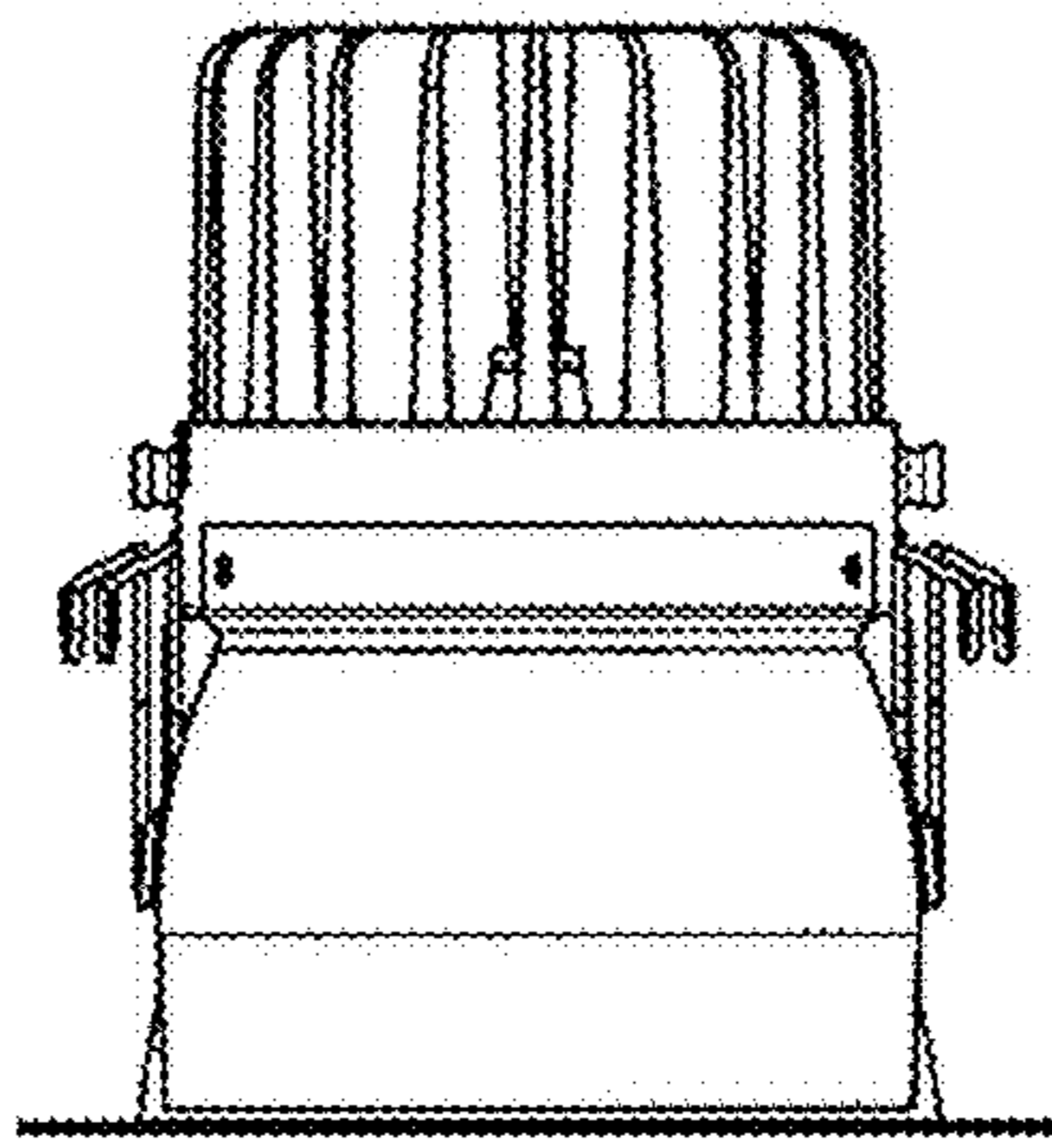


FIG. 15

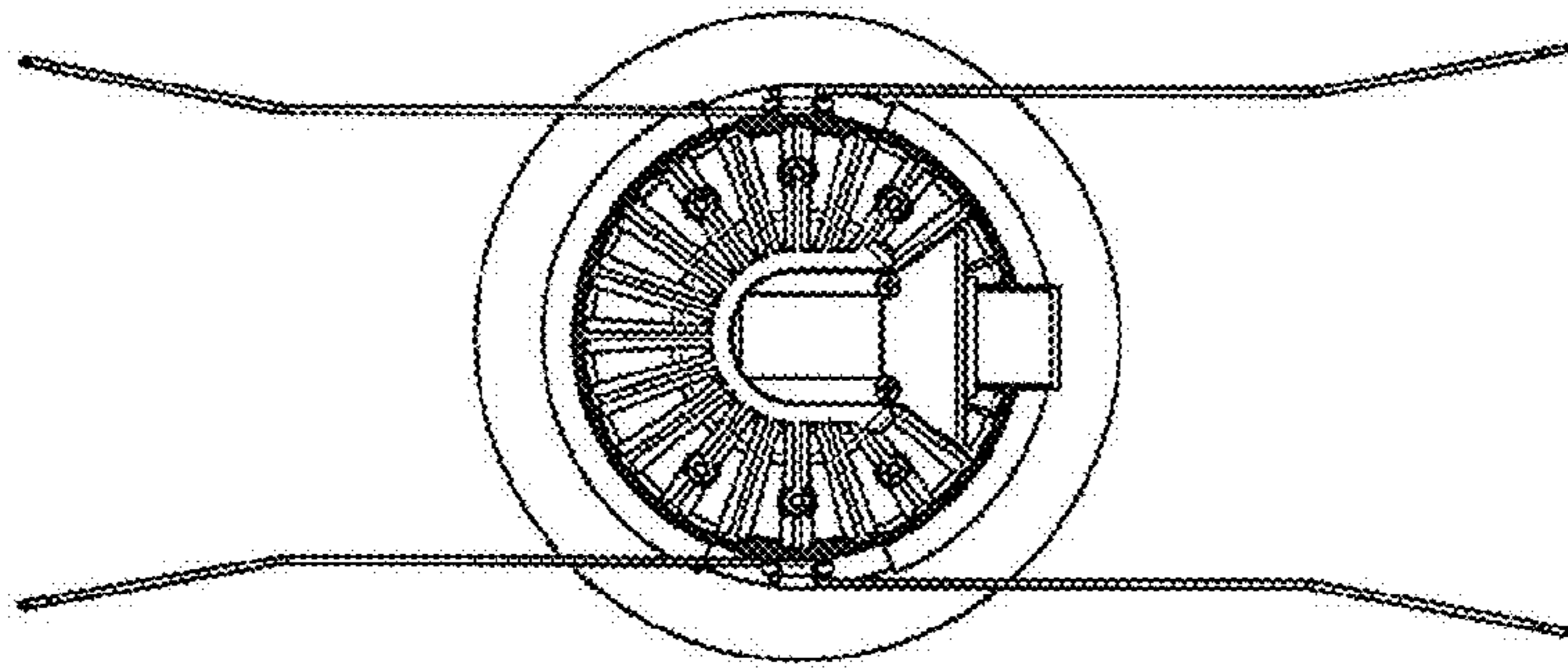


FIG. 16

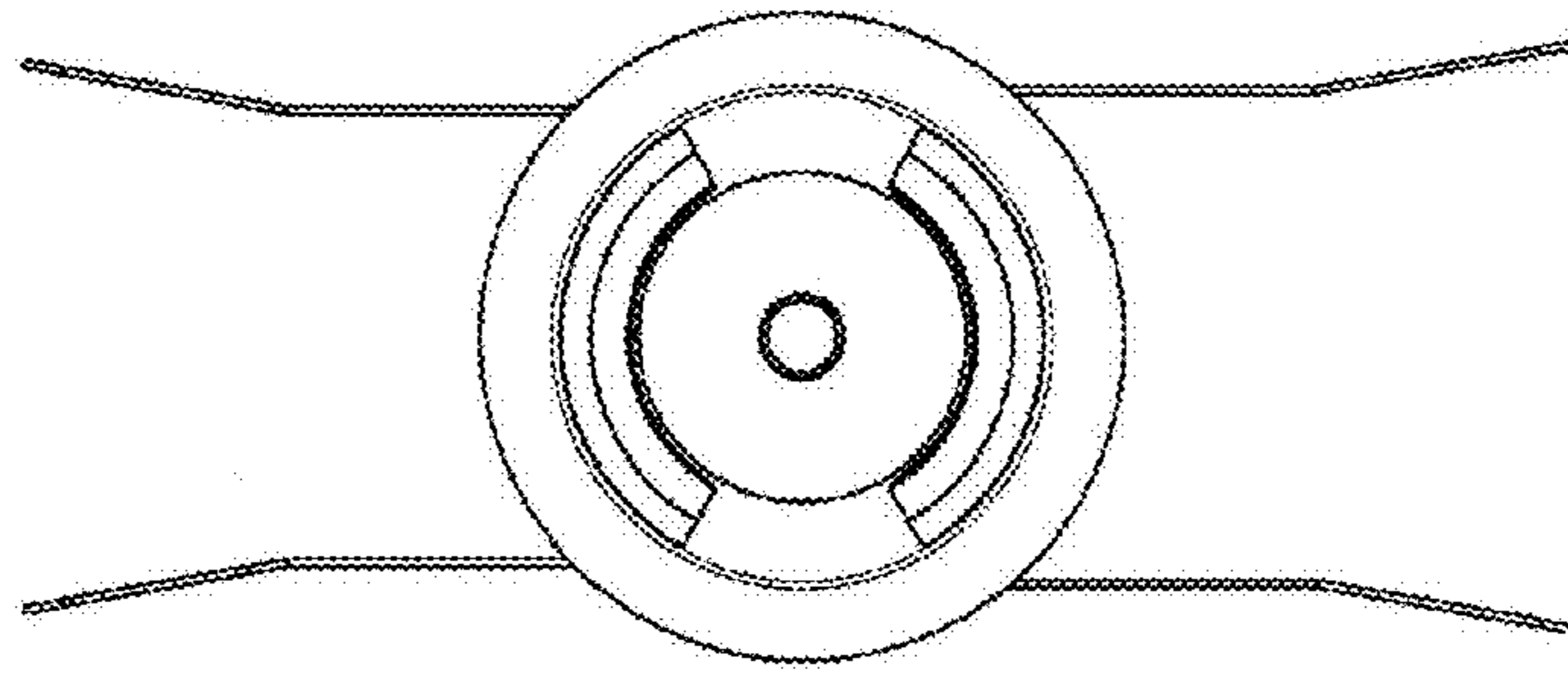


FIG.17

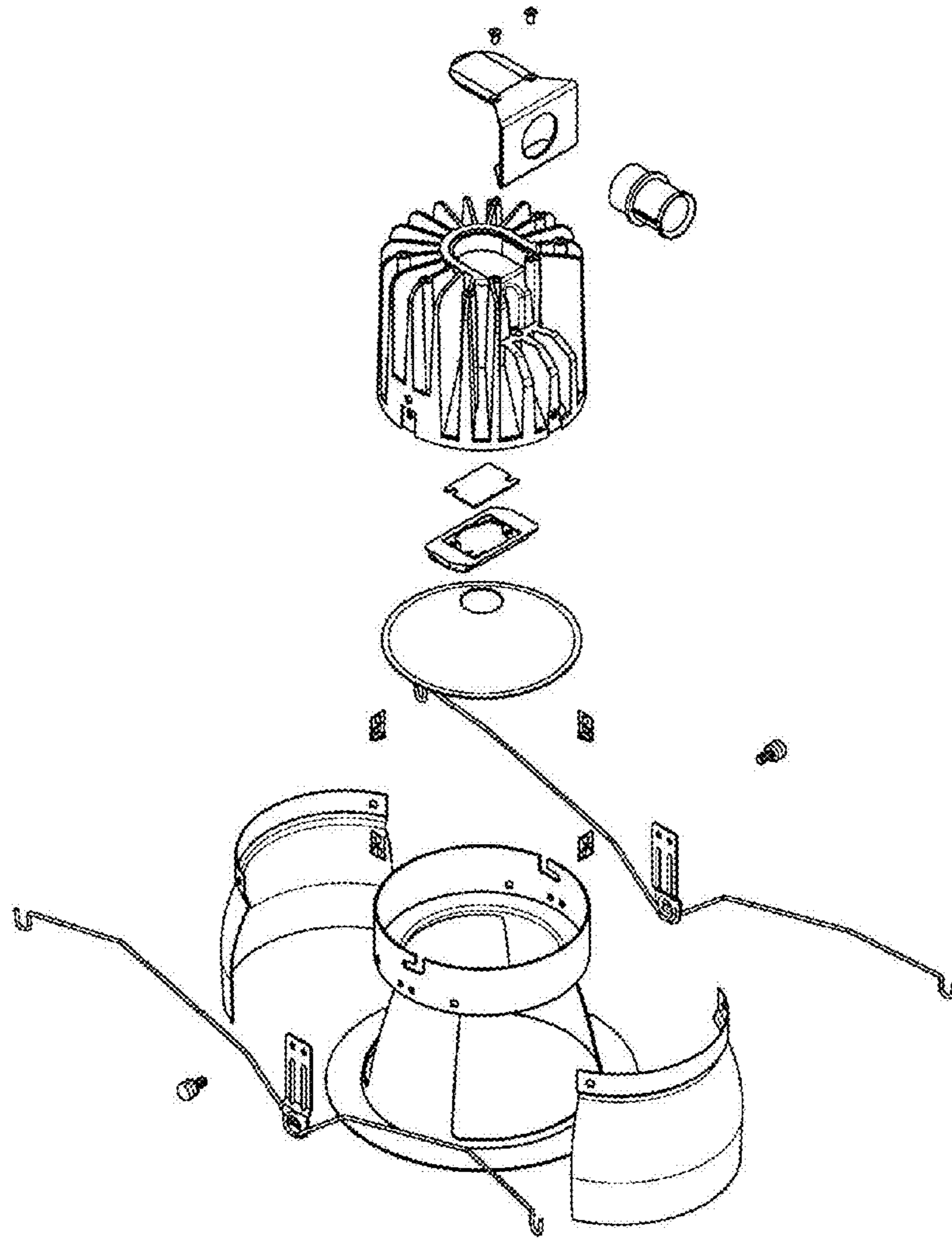


FIG. 18