

US00D691314S

(12) **United States Design Patent**
Rashidi

(10) **Patent No.:** **US D691,314 S**

(45) **Date of Patent:** **** *Oct. 8, 2013**

(54) **LED RETROFIT RECESSED LIGHT WITH LENS**

(76) Inventor: **Hamid Rashidi**, Commerce, CA (US)

(*) Notice: This patent is subject to a terminal disclaimer.

(**) Term: **14 Years**

(21) Appl. No.: **29/374,832**

(22) Filed: **Oct. 12, 2011**

Related U.S. Application Data

(63) Continuation-in-part of application No. 29/349,045, filed on Mar. 2, 2010, now Pat. No. Des. 659,878.

(51) **LOC (9) Cl.** **26-05**

(52) **U.S. Cl.**
USPC **D26/74**

(58) **Field of Classification Search**
USPC D26/24, 72, 80, 81, 83, 85, 88, 89,
D26/91, 113, 118, 123, 124, 138, 74, 76;
362/145, 146, 147, 148, 150, 153, 294, 296.01,
362/296.07, 296.08, 311.07, 311.09, 311.1,
362/345, 364, 365, 366, 373
See application file for complete search history.

(56) **References Cited**

U.S. PATENT DOCUMENTS

D573,294 S * 7/2008 Chan et al. D26/74
D610,290 S * 2/2010 Yoshinobu et al. D26/74

(Continued)

Primary Examiner — Angela J Lee

(74) *Attorney, Agent, or Firm* — Thomas I. Rozsa

(57) **CLAIM**

The ornamental design for an LED retrofit recessed light with lens, as shown and described.

DESCRIPTION

FIG. 1 is a perspective view of a preferred embodiment of the LED retrofit recessed light with lens, showing my new design;

FIG. 2 is a front elevational view thereof;

FIG. 3 is a rear elevational view thereof;

FIG. 4 is a left side elevational view thereof;

FIG. 5 is a right side elevational view thereof;

FIG. 6 is a top plan view thereof;

FIG. 7 is a bottom plan view of a preferred alternative embodiment of the LED retrofit recessed light with lens having a lens and a reflector with a lower baffle;

FIG. 8 is a top plan view of the LED retrofit recessed light with lens with section lines A-A and B-B;

FIG. 9 is a side sectional view taken along Line A-A of FIG. 8 for the embodiment represented in FIG. 7;

FIG. 10 is a side sectional view taken along Line B-B of FIG. 8 for the embodiment represented in FIG. 7;

FIG. 11 is a perspective view of a first alternative embodiment of the LED retrofit recessed light with lens, showing my design;

FIG. 12 is a front elevational view thereof;

FIG. 13 is a rear elevational view thereof;

FIG. 14 is a left side elevational view thereof;

FIG. 15 is a right side elevational view thereof;

FIG. 16 is a top plan view thereof;

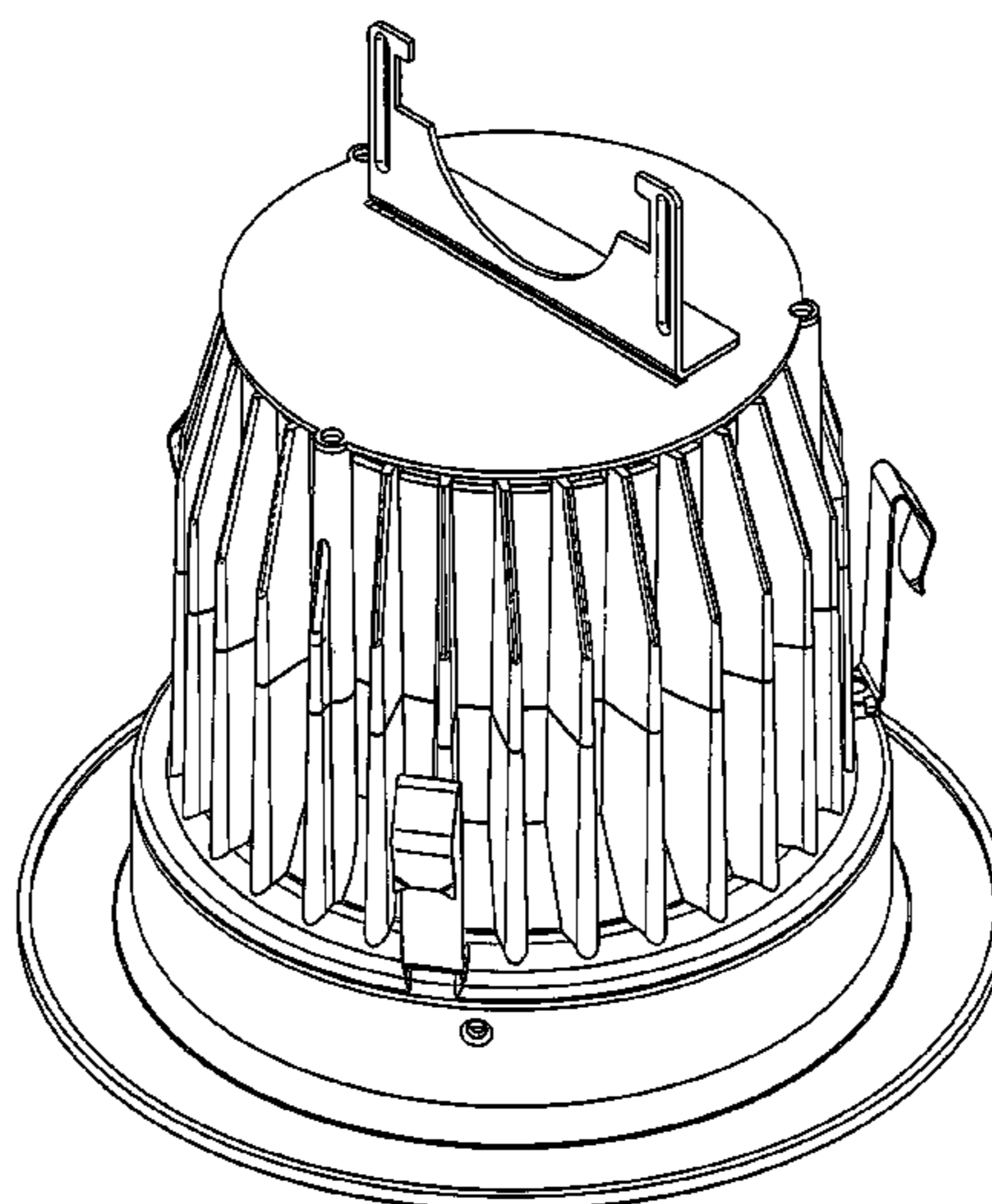
FIG. 17 is a bottom plan view of a second alternative embodiment of the LED retrofit recessed light with lens having a lens and a smooth lower reflector;

FIG. 18 is a top plan view of the LED retrofit recessed light with lens with section lines A-1 and B-B;

FIG. 19 is a side sectional view taken along Line A-A of FIG. 18 for the embodiment represented in FIG. 17; and,

FIG. 20 is a side sectional view taken along Line B-B of FIG. 18 for the embodiment represented in FIG. 17.

1 Claim, 20 Drawing Sheets



(56)

References Cited

U.S. PATENT DOCUMENTS

D646,011 S * 9/2011 Rashidi D26/74
D654,205 S * 2/2012 Rashidi D26/74
D656,262 S * 3/2012 Yoshinobu et al. D26/74
D656,263 S * 3/2012 Ogawa et al. D26/74
D658,802 S * 5/2012 Chen D26/74
D659,878 S * 5/2012 Rashidi D26/74

D659,879 S * 5/2012 Rashidi D26/74
8,182,116 B2 * 5/2012 Zhang et al. 362/294
D663,466 S * 7/2012 Rashidi D26/74
D663,888 S * 7/2012 Davis D26/138
8,262,255 B1 * 9/2012 Rashidi 362/249.02
D669,620 S * 10/2012 Rashidi D26/74
2010/0039829 A1 * 2/2010 Tsai 362/373

* cited by examiner

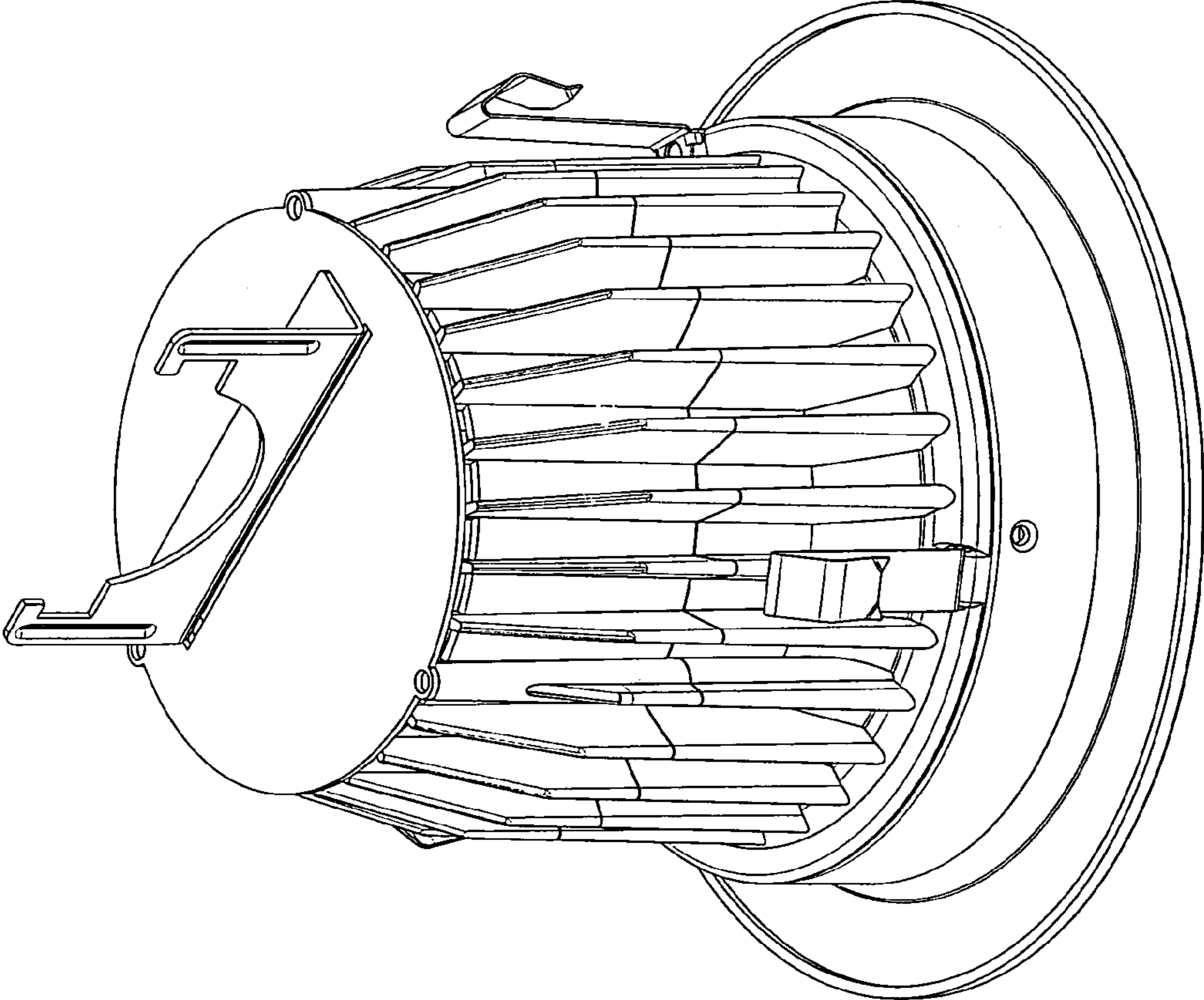


FIG.1

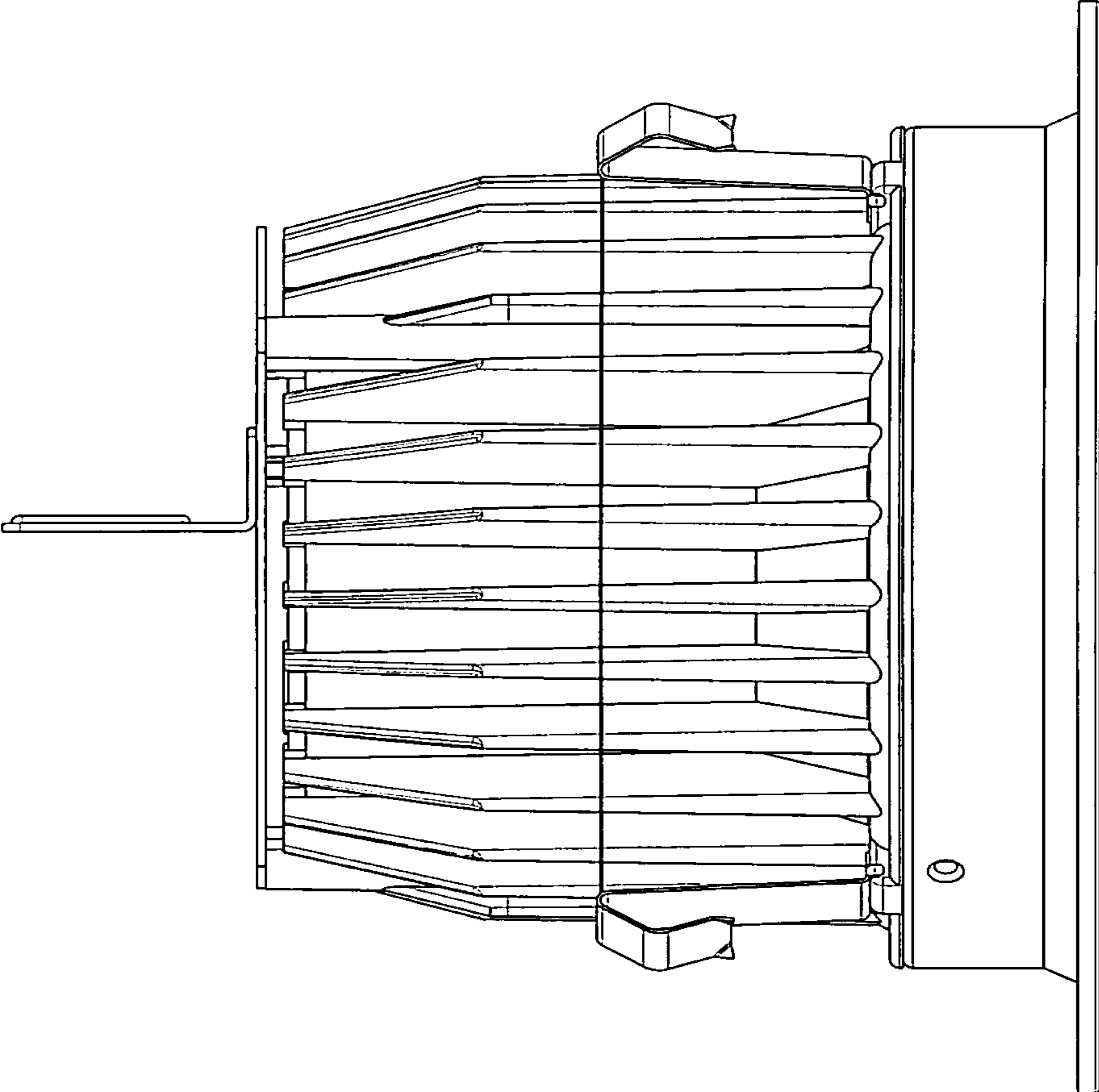


FIG.2

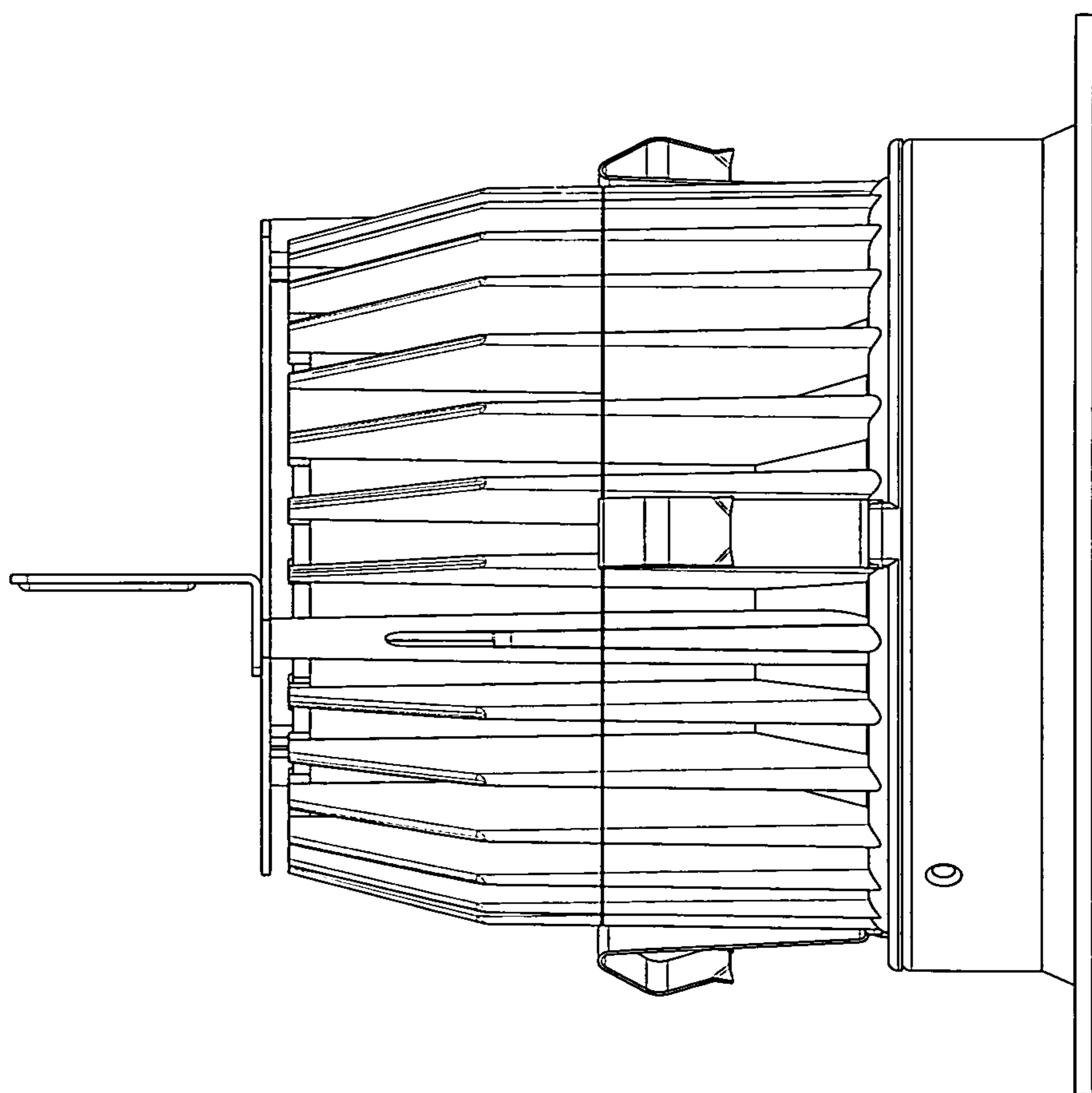


FIG.3

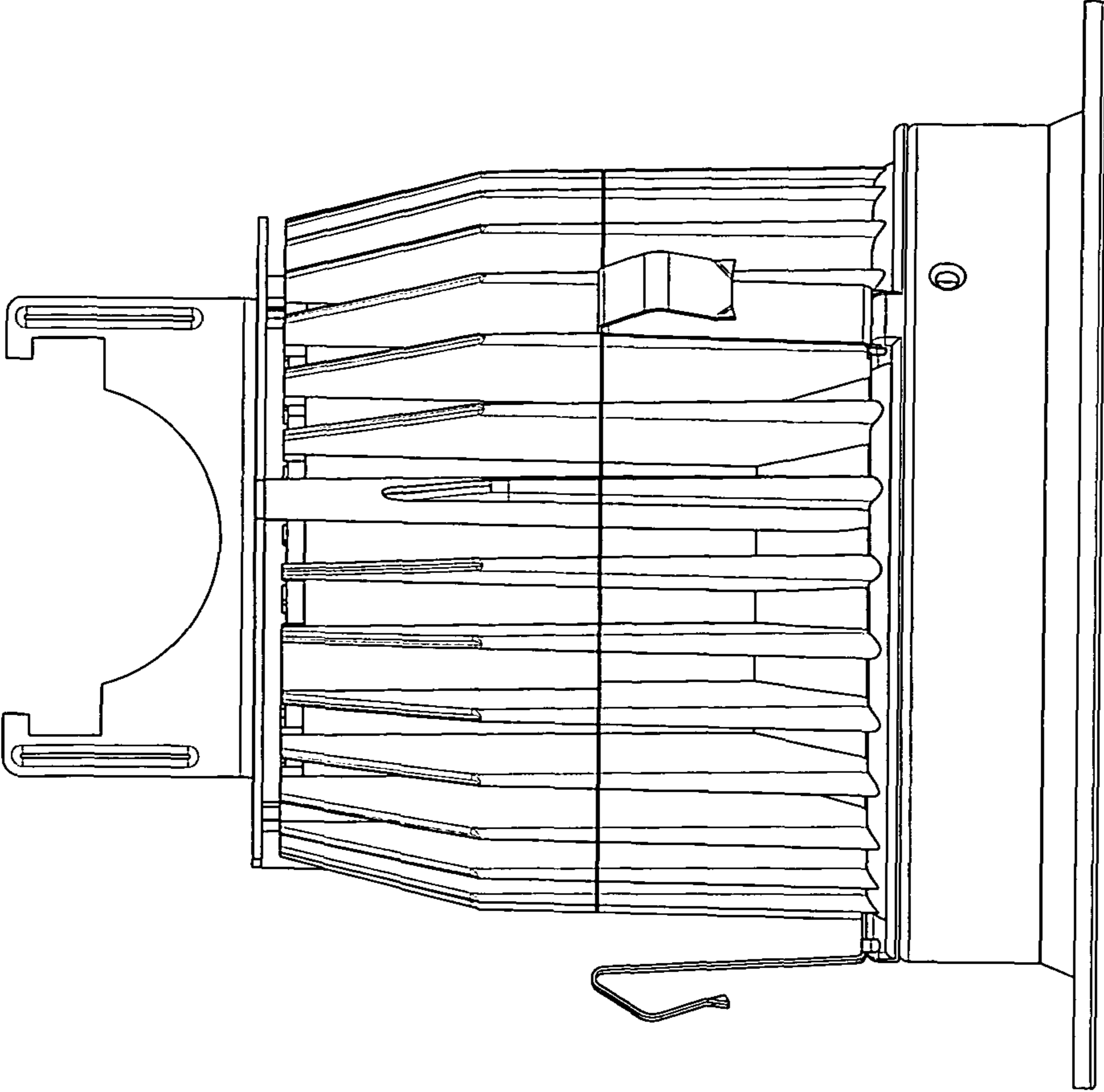


FIG.4

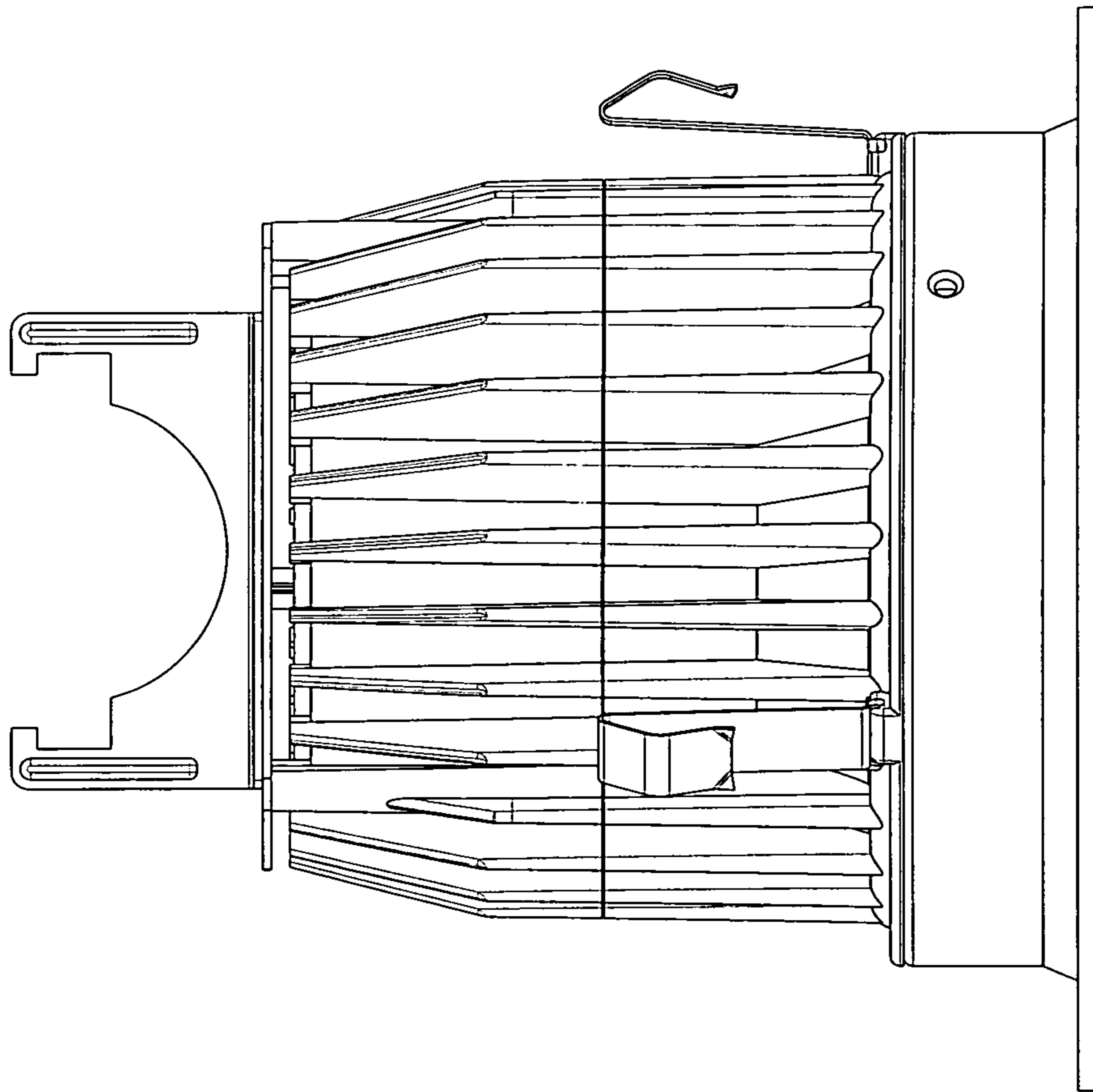


FIG. 5

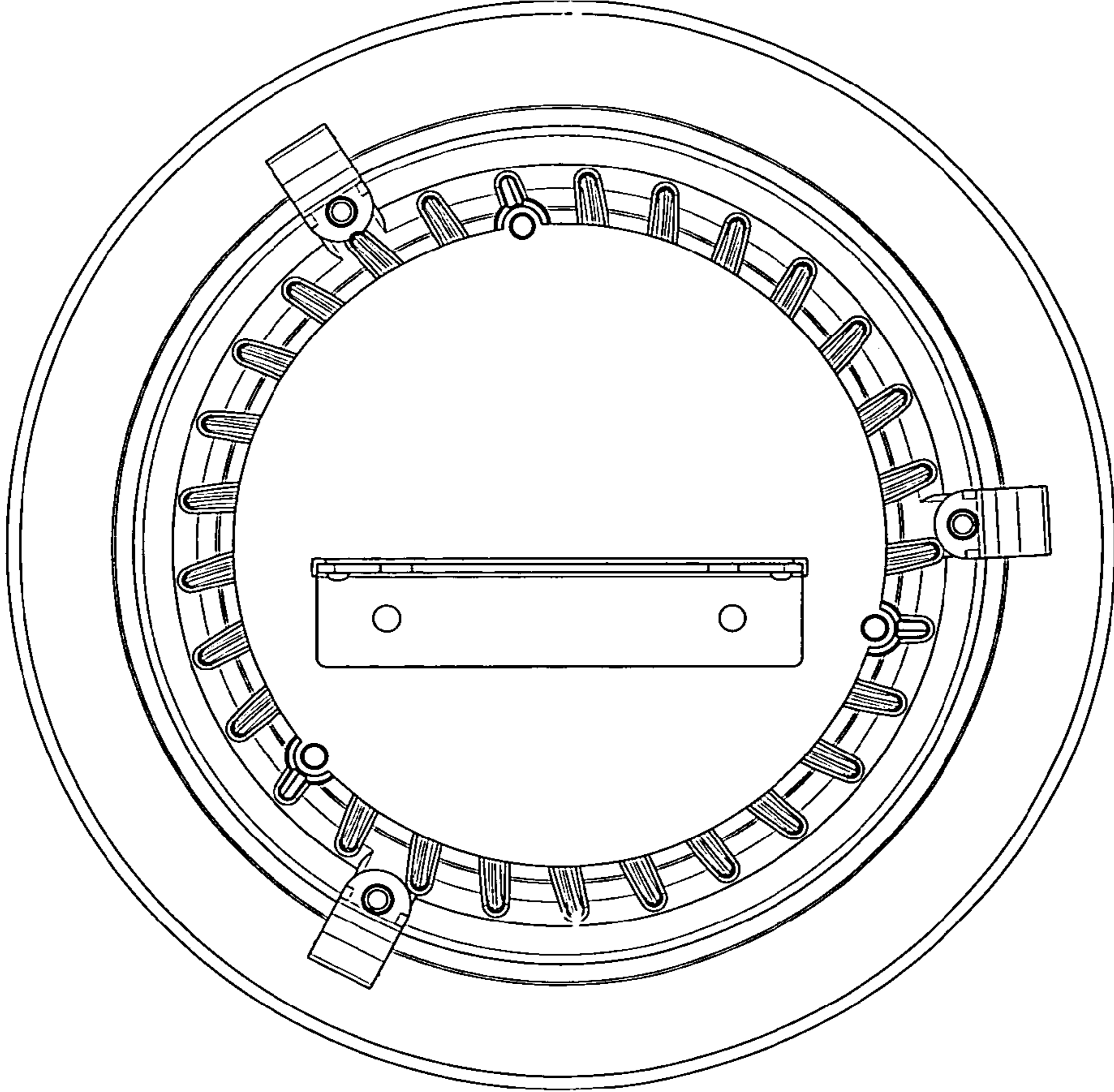


FIG.6

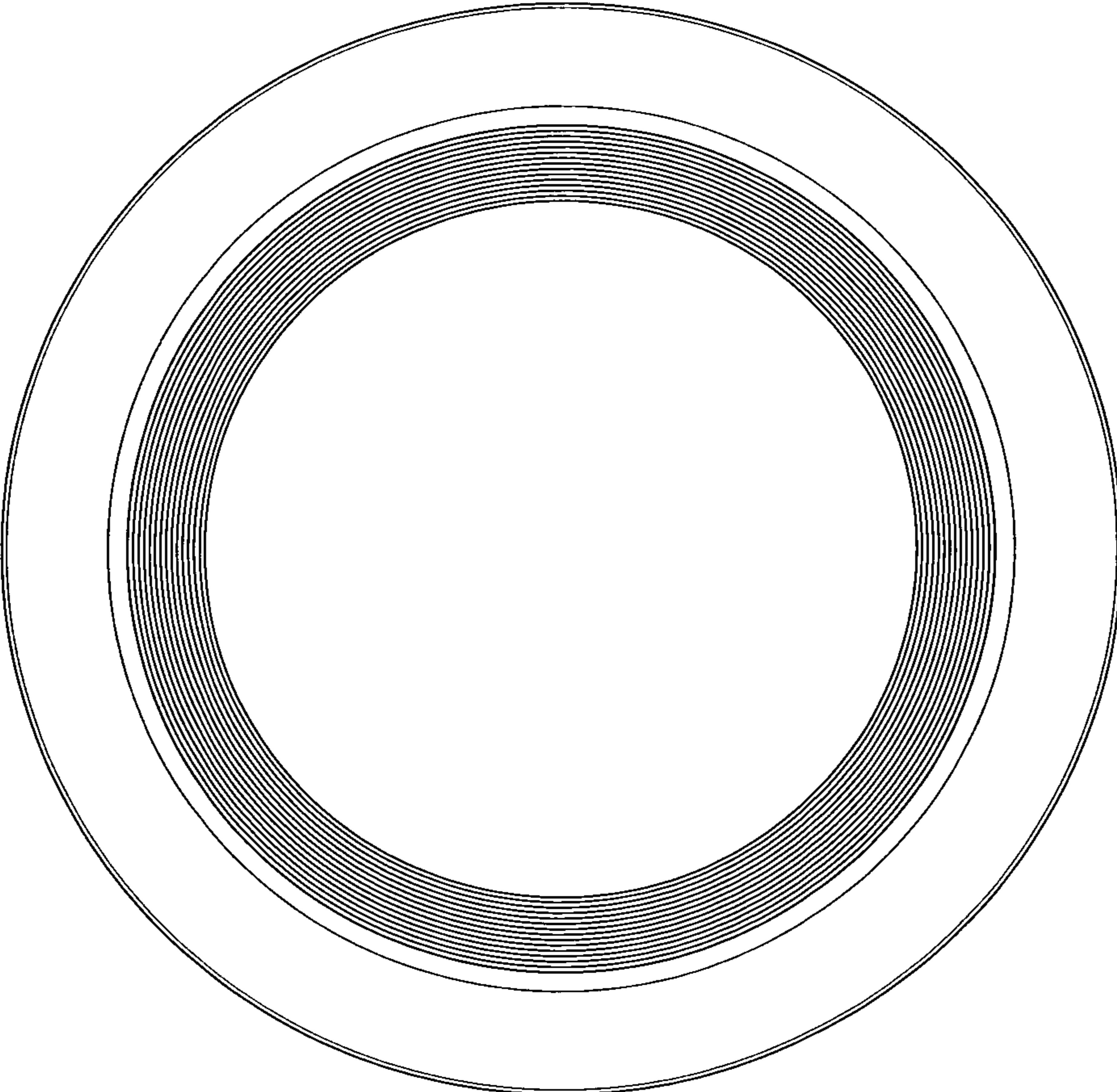
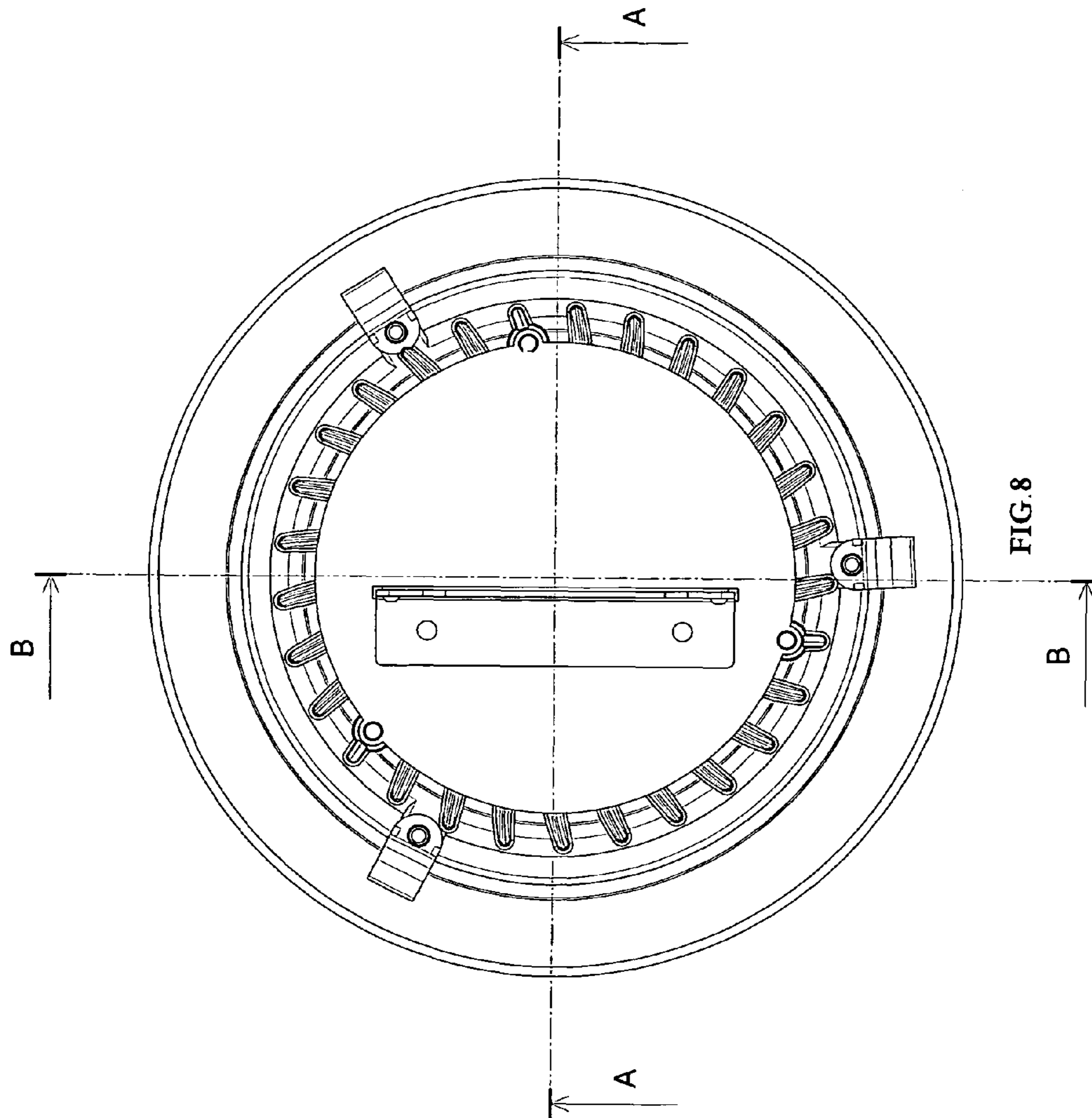


FIG.7



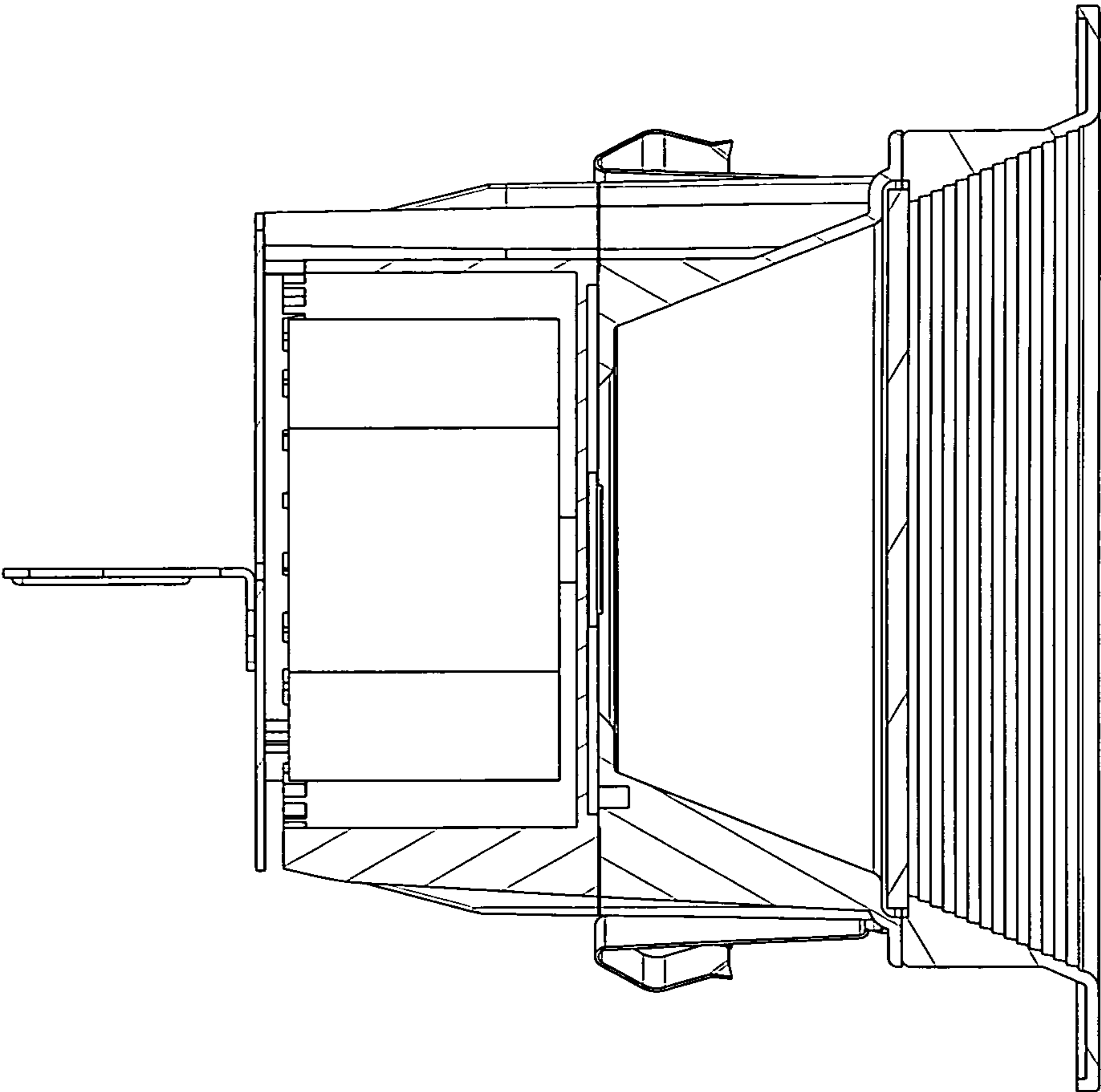


FIG. 9

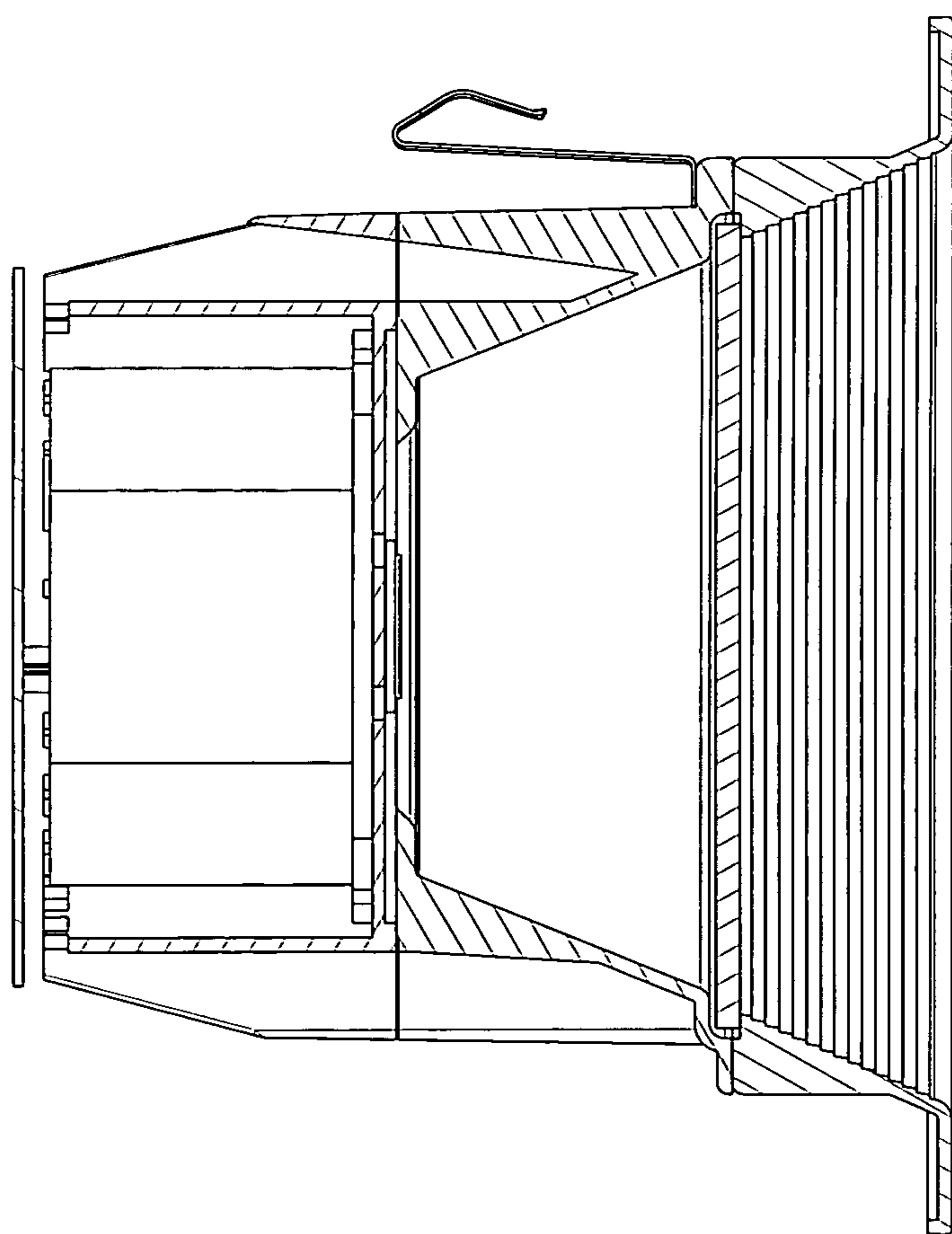


FIG.10

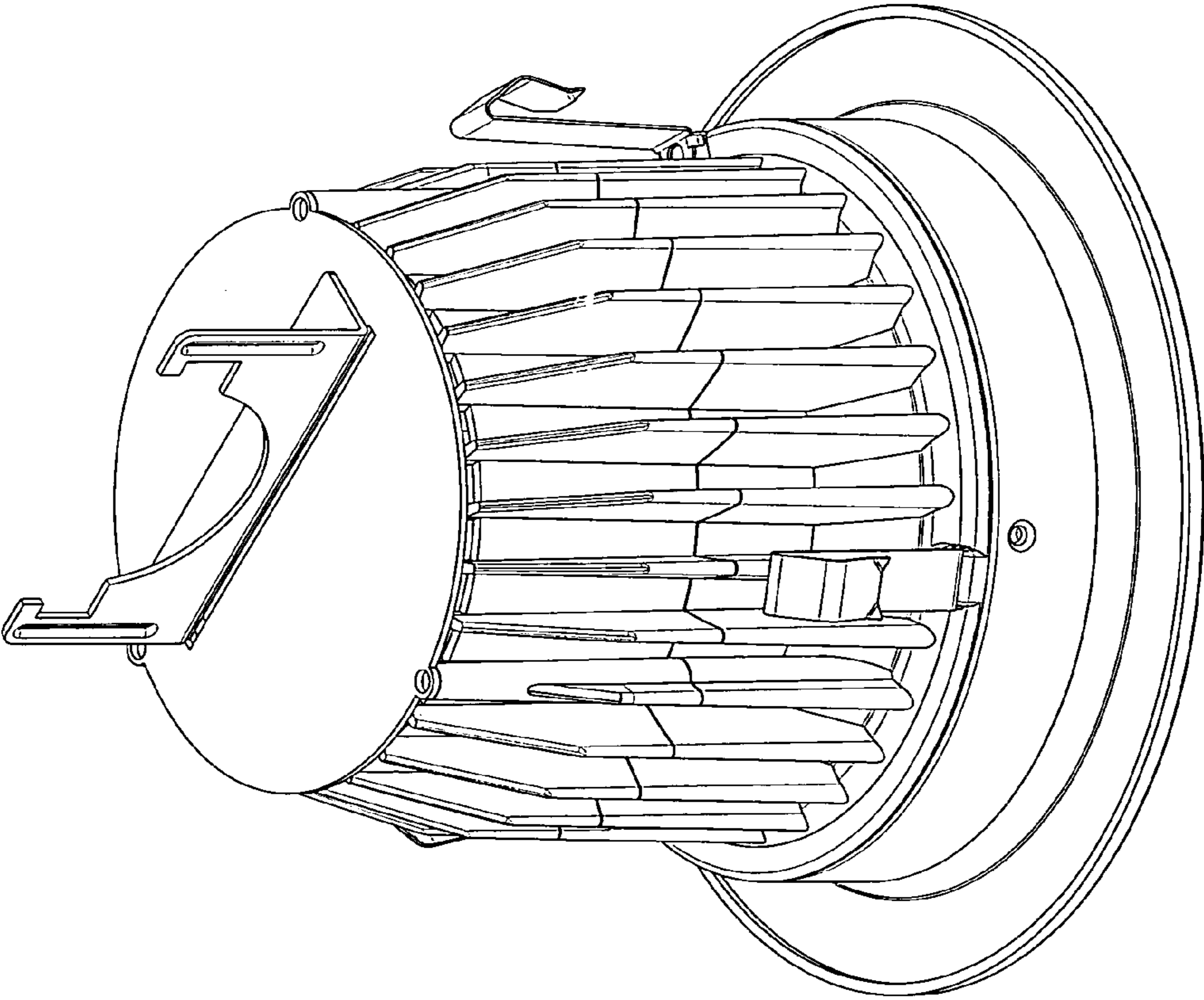


FIG.11

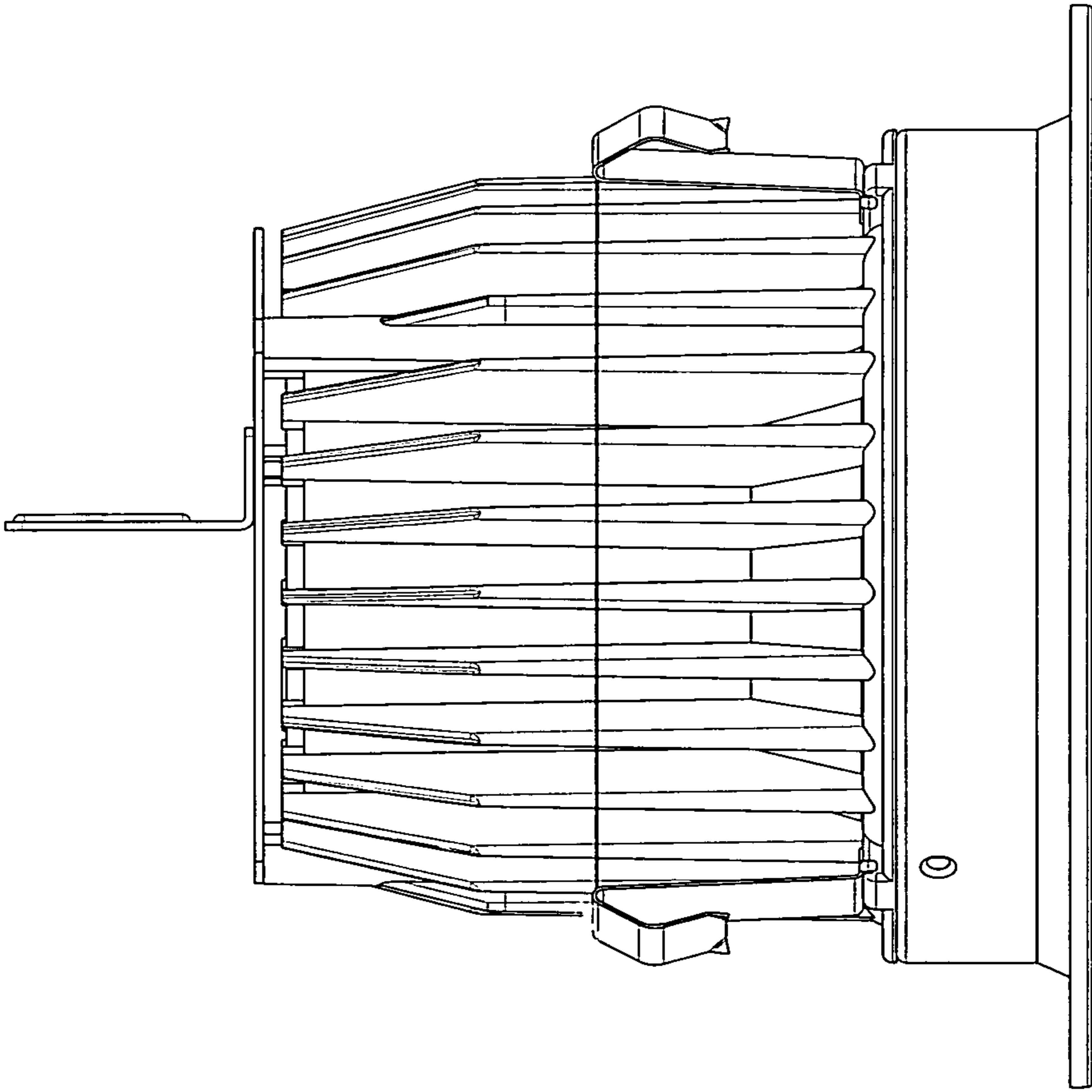


FIG.12

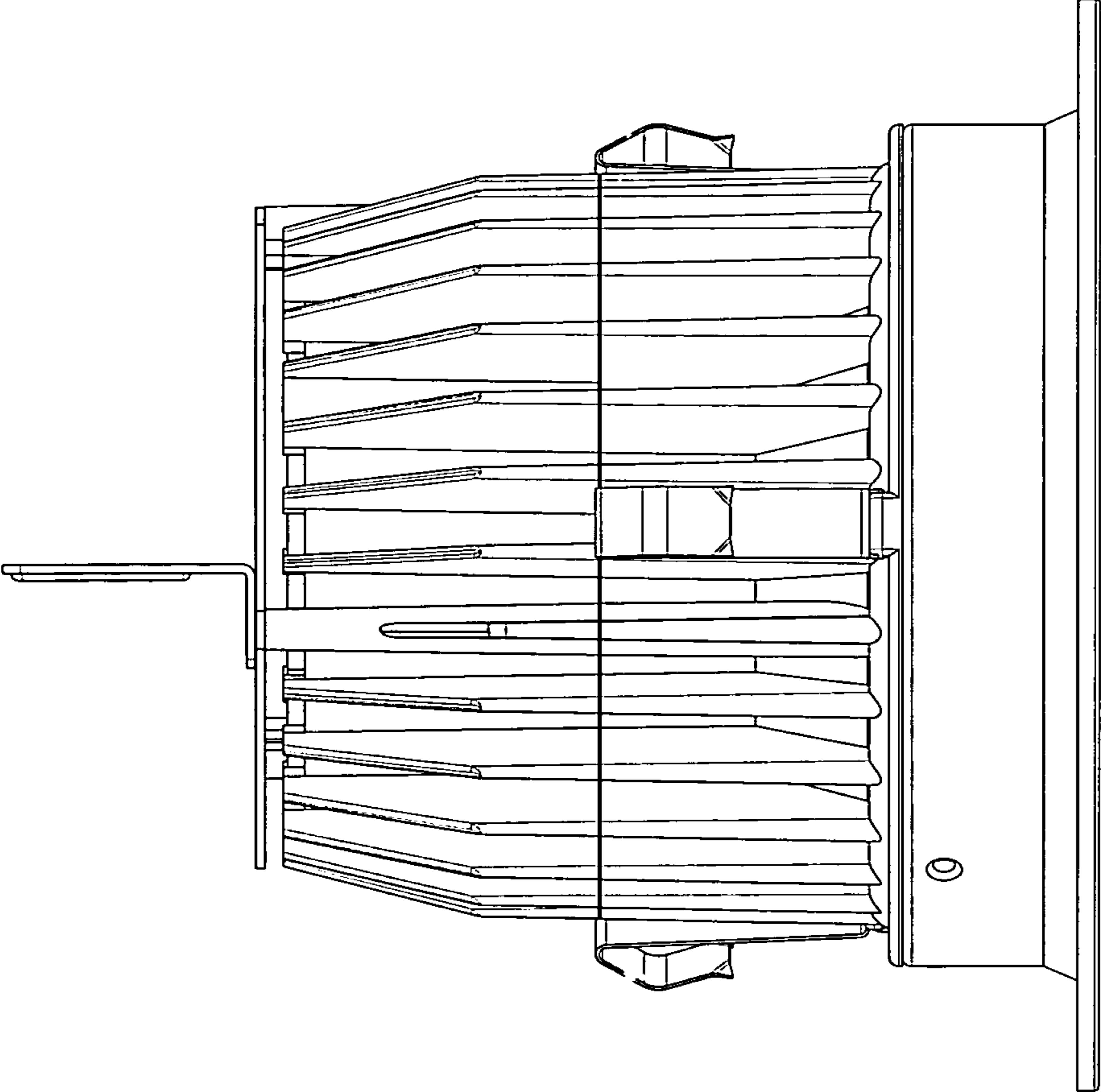


FIG.13

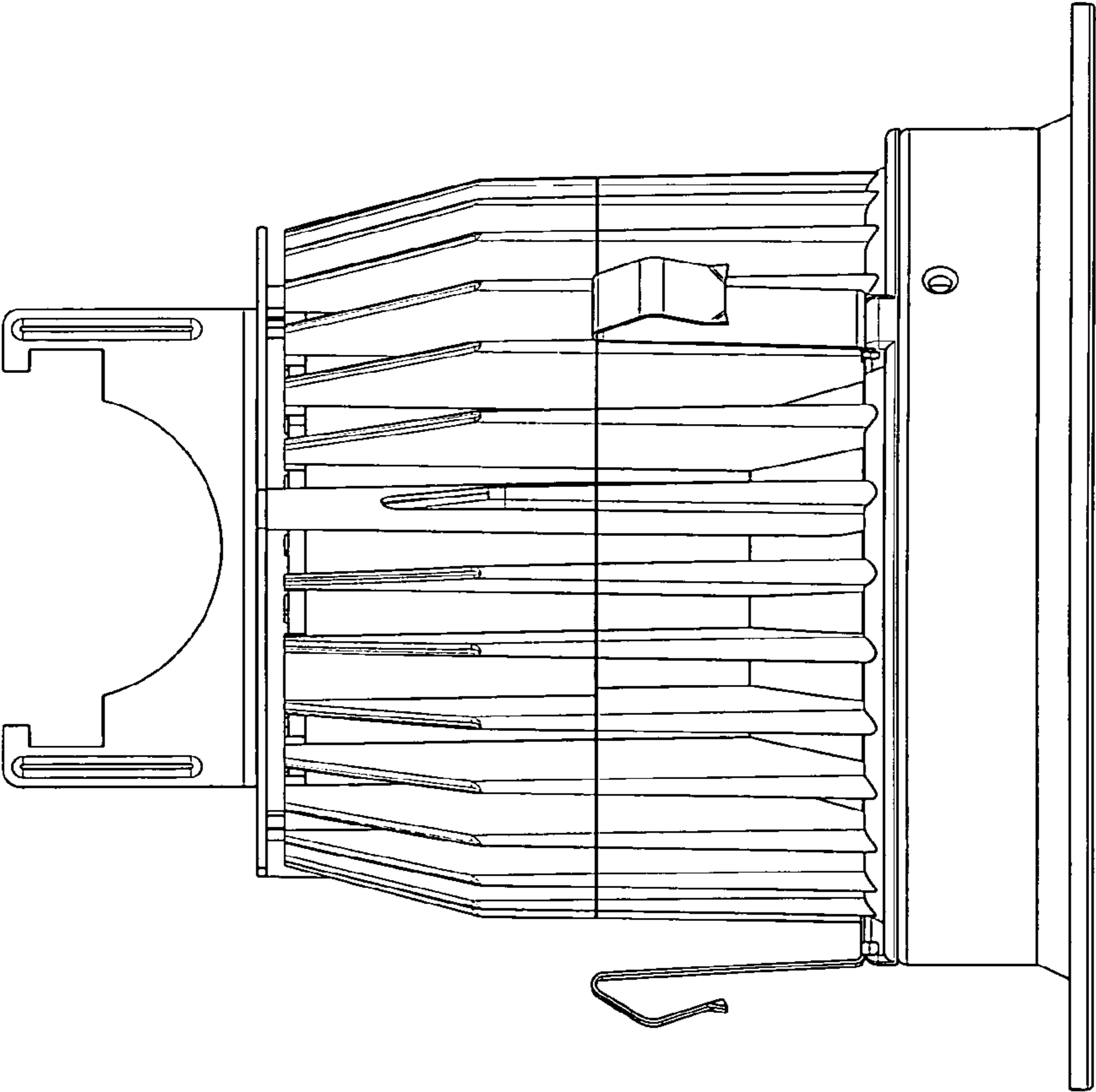


FIG.14

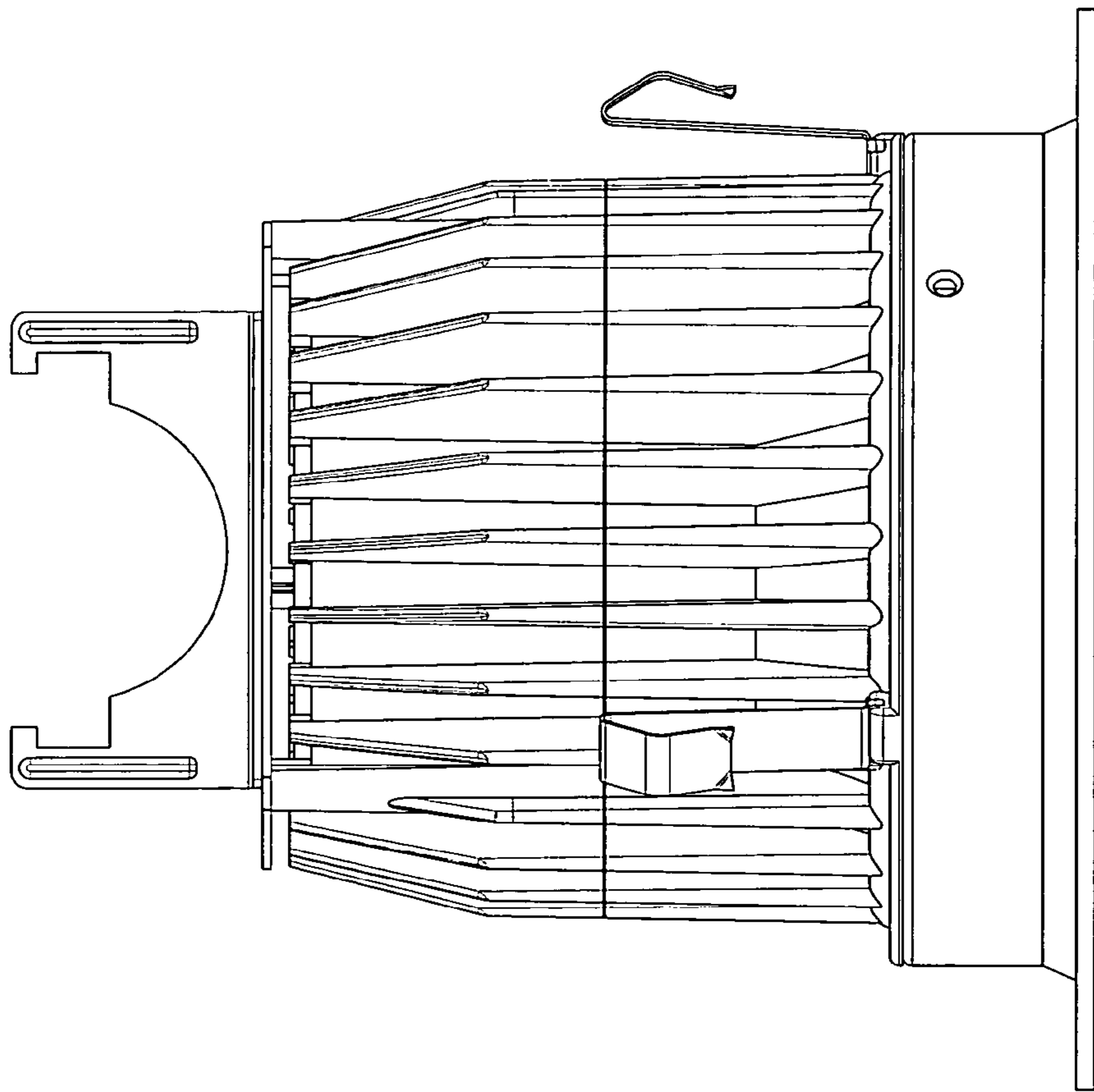


FIG.15

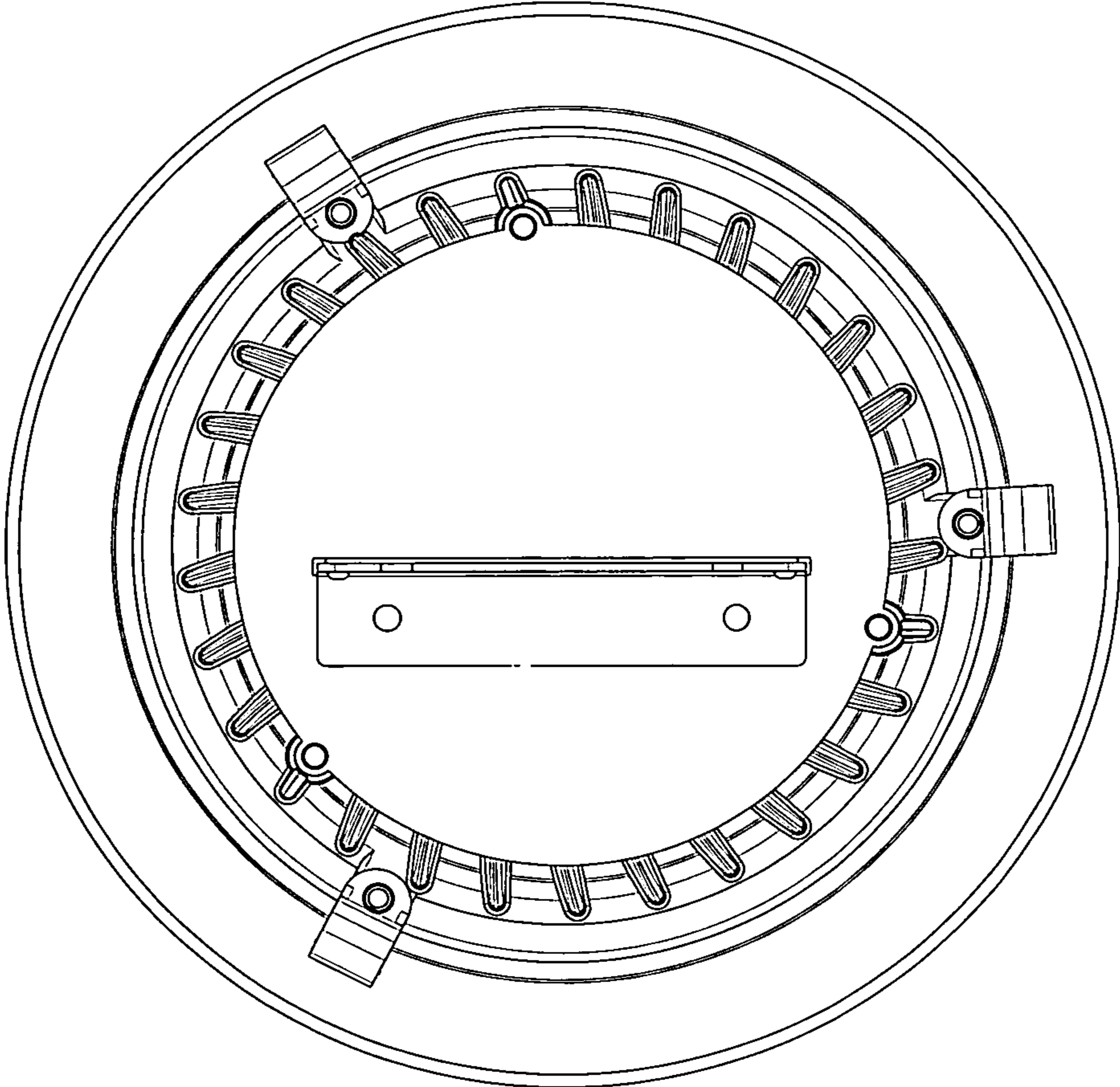


FIG.16

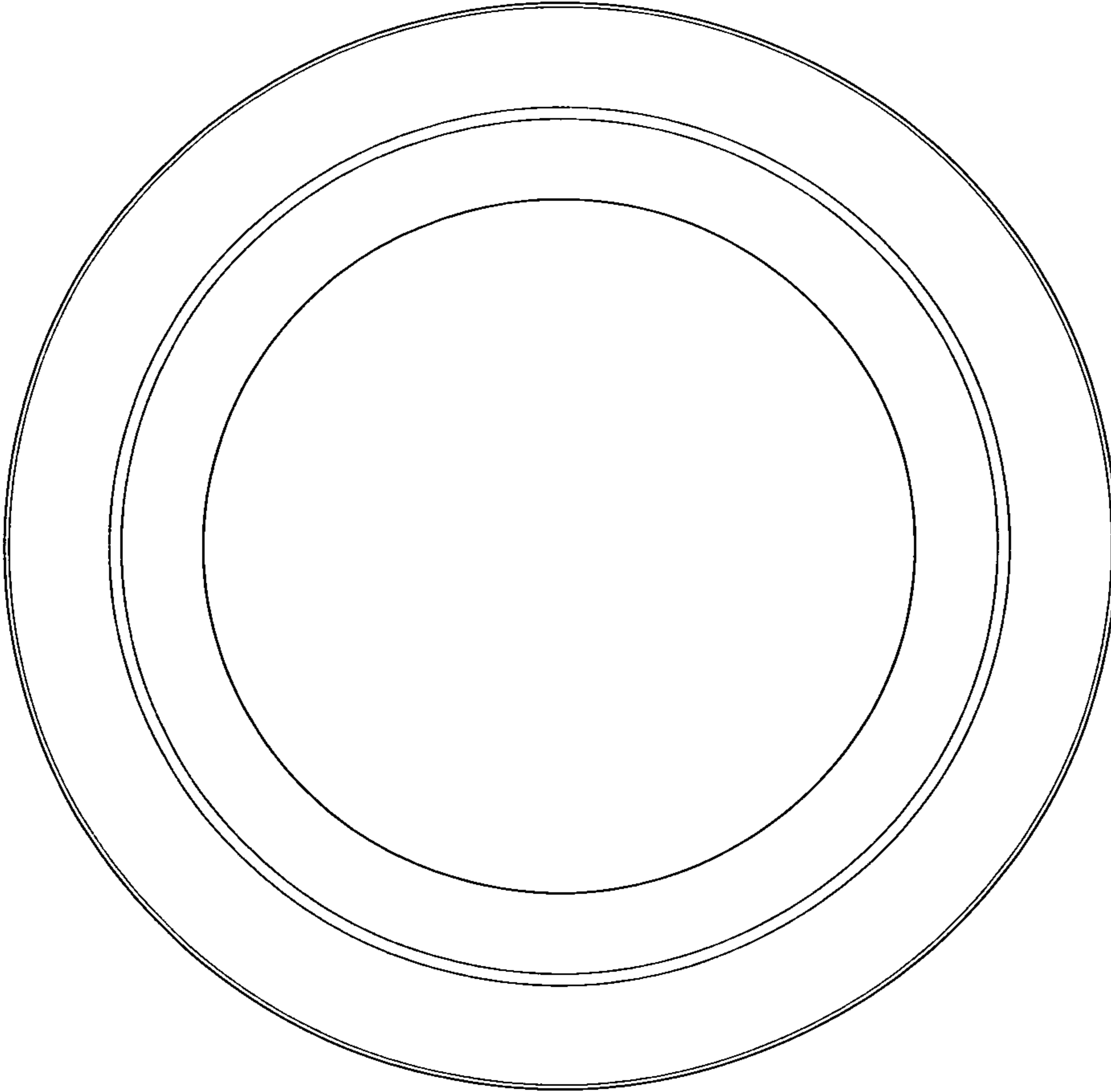


FIG.17

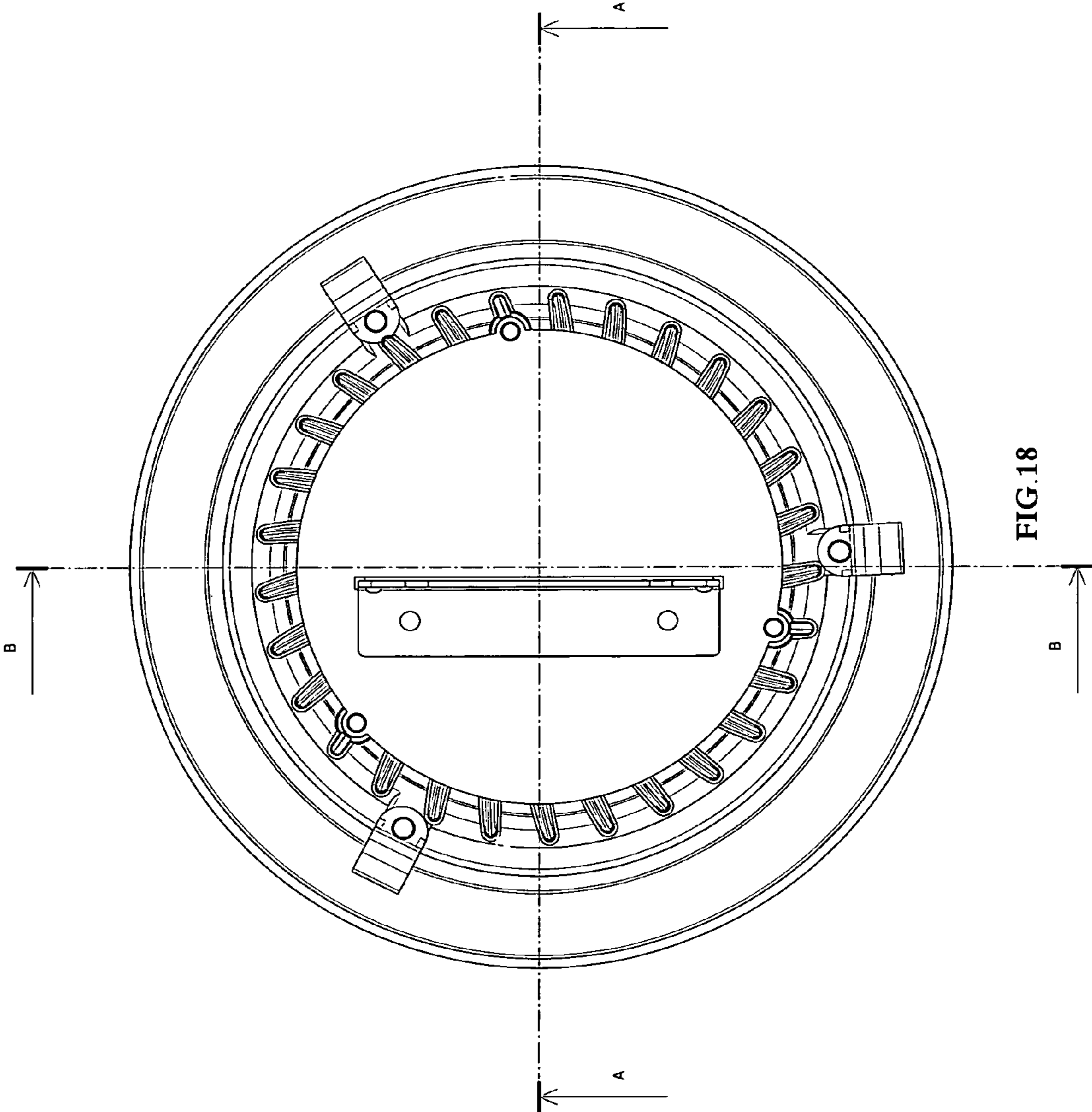


FIG. 18

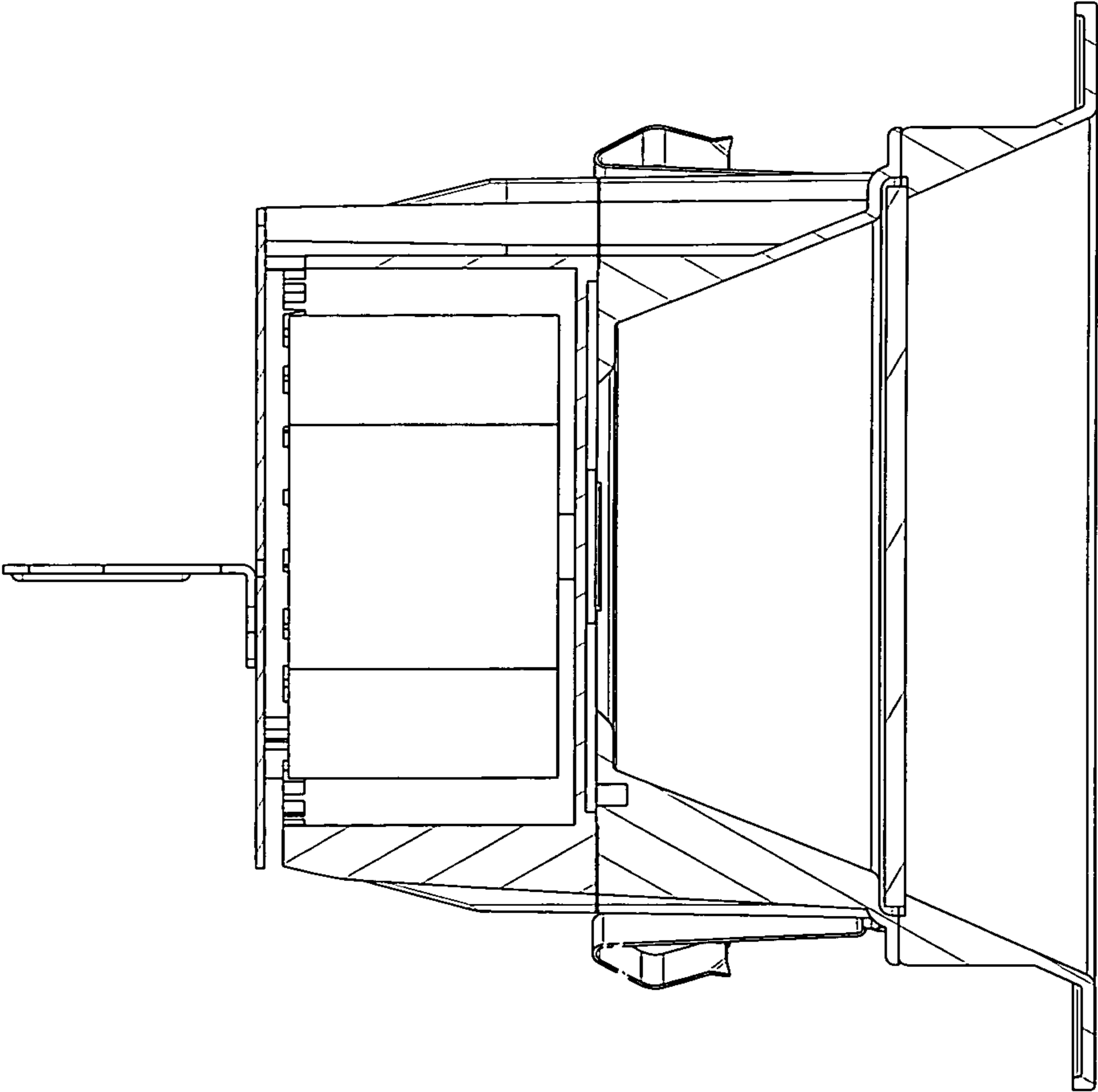


FIG.19

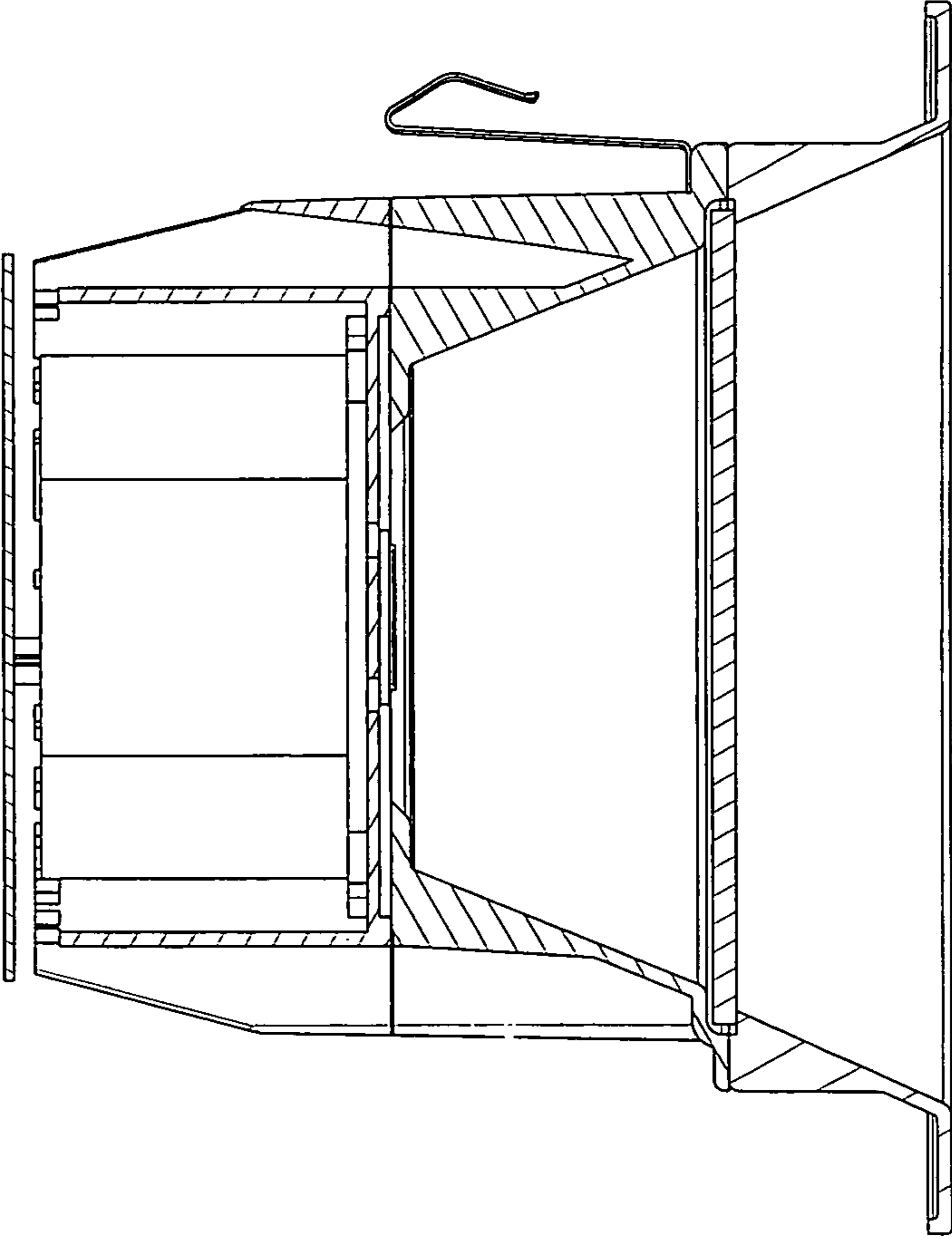


FIG. 20