



US00D691313S

(12) **United States Design Patent**
Beausoleil

(10) **Patent No.:** **US D691,313 S**

(45) **Date of Patent:** **** Oct. 8, 2013**

(54) **LIGHT FIXTURE**

(76) Inventor: **David M. Beausoleil**, Ridgewood, NJ
(US)

(**) Term: **14 Years**

(21) Appl. No.: **29/426,396**

(22) Filed: **Jul. 5, 2012**

(51) **LOC (9) Cl.** **26-05**

(52) **U.S. Cl.**
USPC **D26/68**

(58) **Field of Classification Search**
USPC D26/67-71, 107, 135; D25/135;
52/301; 362/414, 431

See application file for complete search history.

(56) **References Cited**

U.S. PATENT DOCUMENTS

D325,963	S	*	5/1992	Anderson	D26/68
D328,502	S	*	8/1992	Hartman	D26/68
D348,953	S	*	7/1994	Shwisha	D26/135
5,429,340	A		7/1995	Young et al.		
D400,292	S	*	10/1998	Hoffbauer	D26/135
D406,374	S	*	3/1999	Porter	D26/68
5,887,856	A		3/1999	Everly, III		
6,357,892	B1	*	3/2002	Beadle	362/267
6,722,637	B2		4/2004	Burkart et al.		
7,021,787	B1	*	4/2006	Kuelbs	362/183
D520,169	S	*	5/2006	Harbaugh	D26/68
7,387,409	B1	*	6/2008	Beadle	362/308
7,587,860	B1		9/2009	Ilyas et al.		
7,661,837	B1		2/2010	Pever et al.		
D629,951	S	*	12/2010	Sooferian	D26/68

D629,952	S	*	12/2010	Sooferian	D26/68
D638,970	S	*	5/2011	Chen	D26/67
D672,490	S	*	12/2012	Connolly et al.	D26/68
2001/0052595	A1		12/2001	Hulett		
2002/0148183	A1		10/2002	Grant		
2003/0066992	A1		4/2003	Burkart et al.		
2003/0075712	A1		4/2003	Lin		
2008/0099751	A1		5/2008	Chen		
2008/0296545	A1		12/2008	Chef		
2010/0097206	A1		4/2010	Jung et al.		

* cited by examiner

Primary Examiner — Clare E Heflin

(74) *Attorney, Agent, or Firm* — Doherty & Charney LLC

(57) **CLAIM**

The ornamental design for a light fixture, as shown and described.

DESCRIPTION

FIG. 1 is a top perspective view of a light fixture, showing my new design;

FIG. 2 is a front elevation view of the light fixture shown in FIG. 1;

FIG. 3 is a rear elevation view of the light fixture shown in FIG. 1;

FIG. 4 is a right side view of the light fixture shown in FIG. 1;

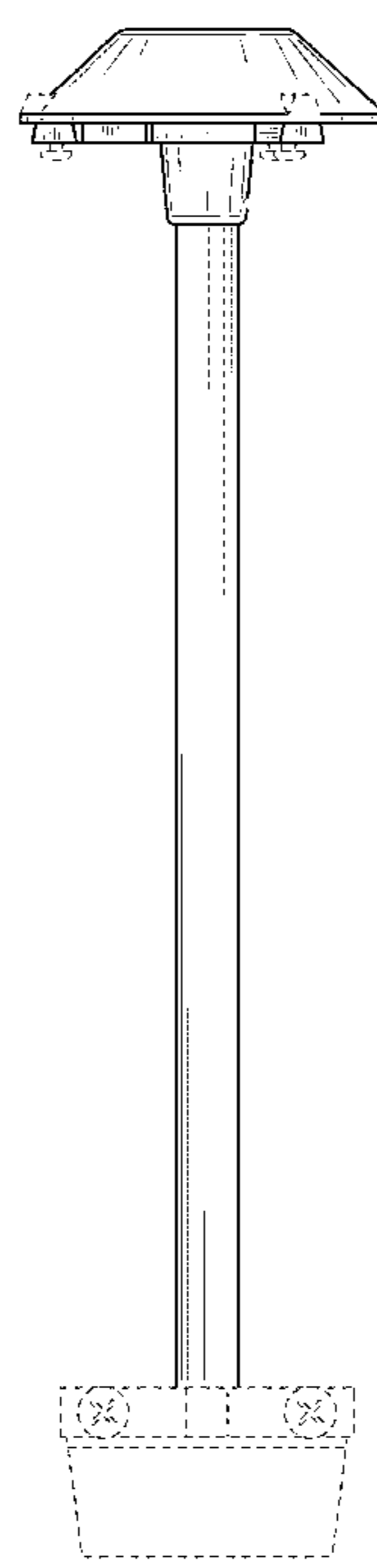
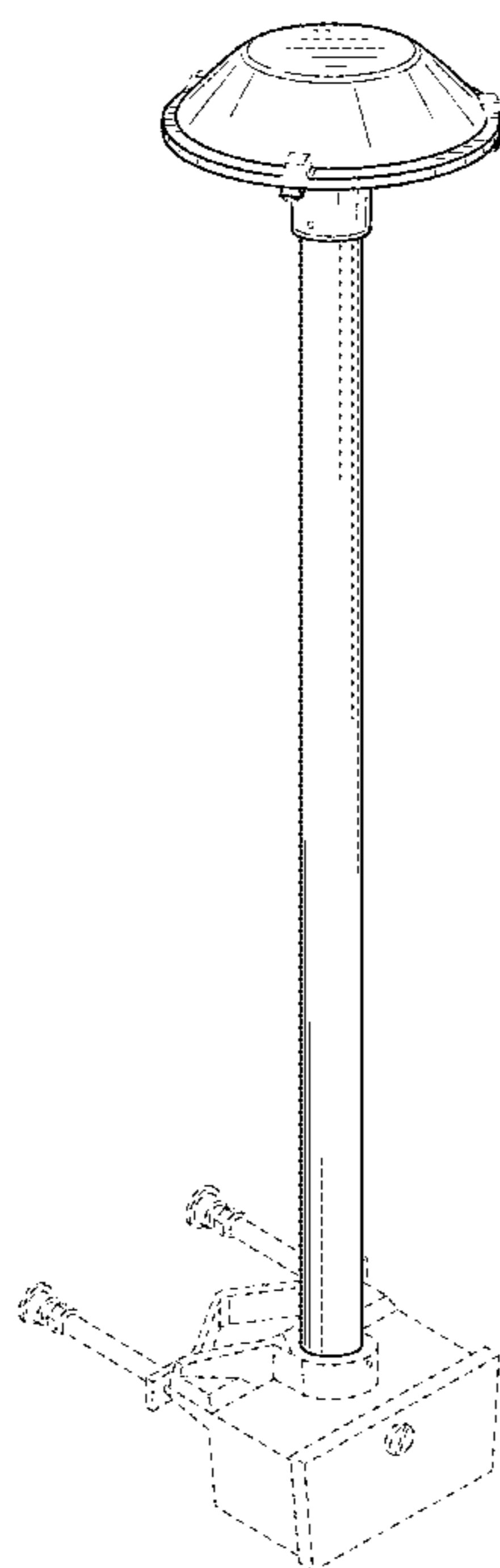
FIG. 5 is a left side view of the light fixture shown in FIG. 1;

FIG. 6 is a top plan view of the light fixture shown in FIG. 1; and,

FIG. 7 is a bottom plan view of the light fixture shown in FIG. 1.

The broken lines shown in the various figures are for illustrative purposes only and form no part of the claimed design.

1 Claim, 4 Drawing Sheets



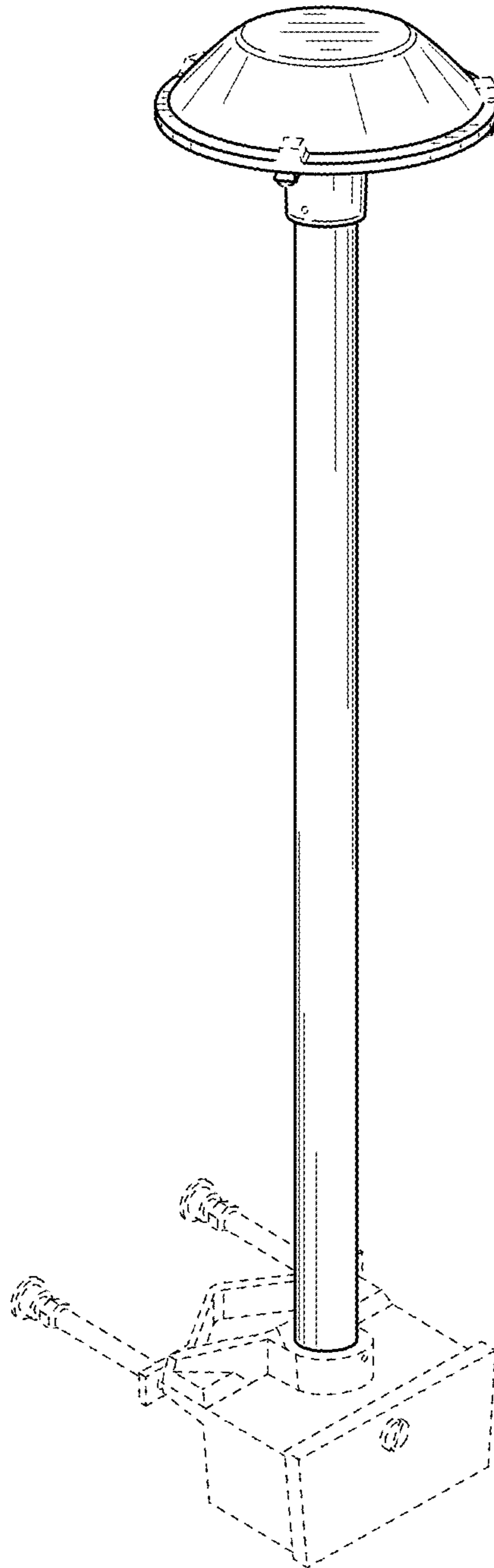


FIG. 1

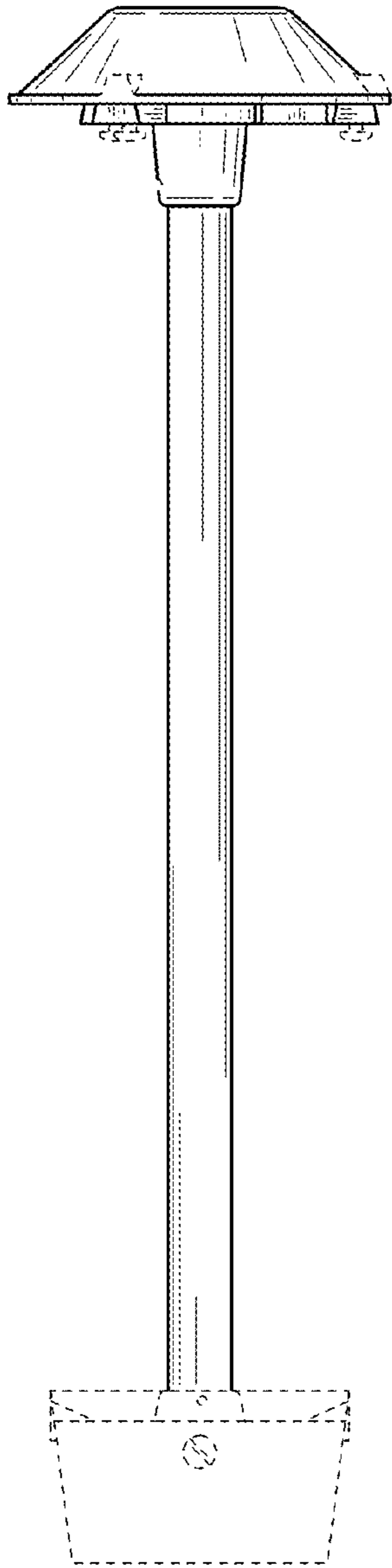


FIG. 2

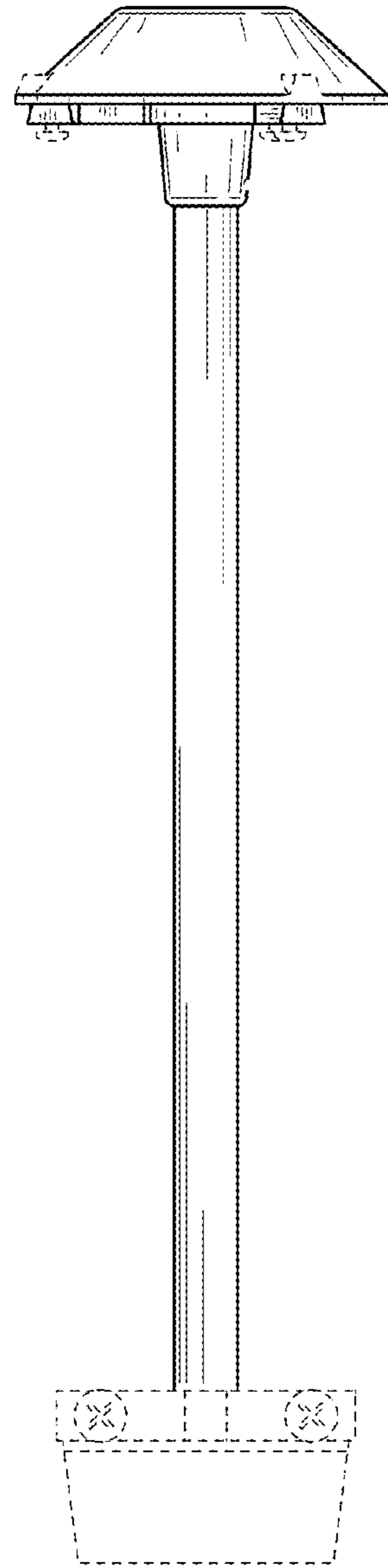


FIG. 3

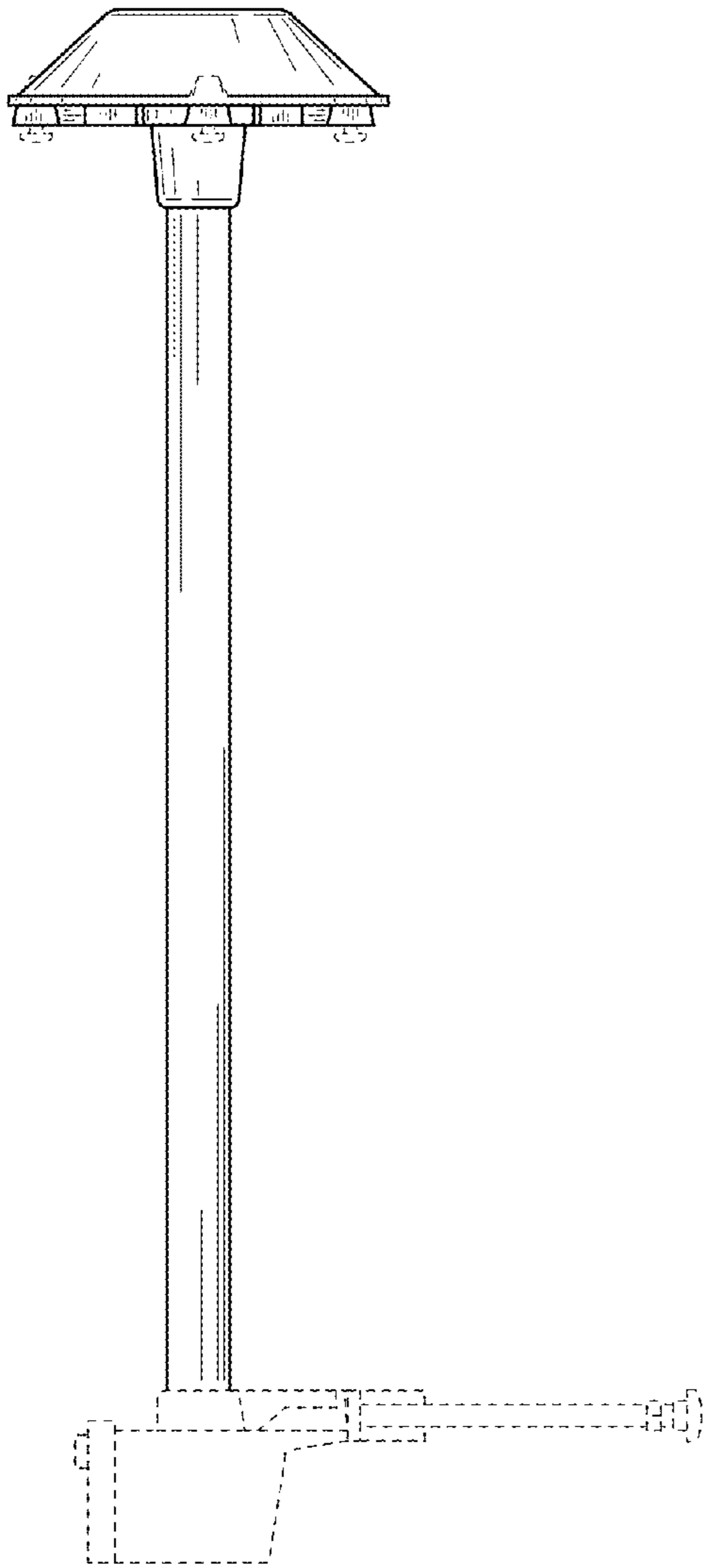


FIG. 4

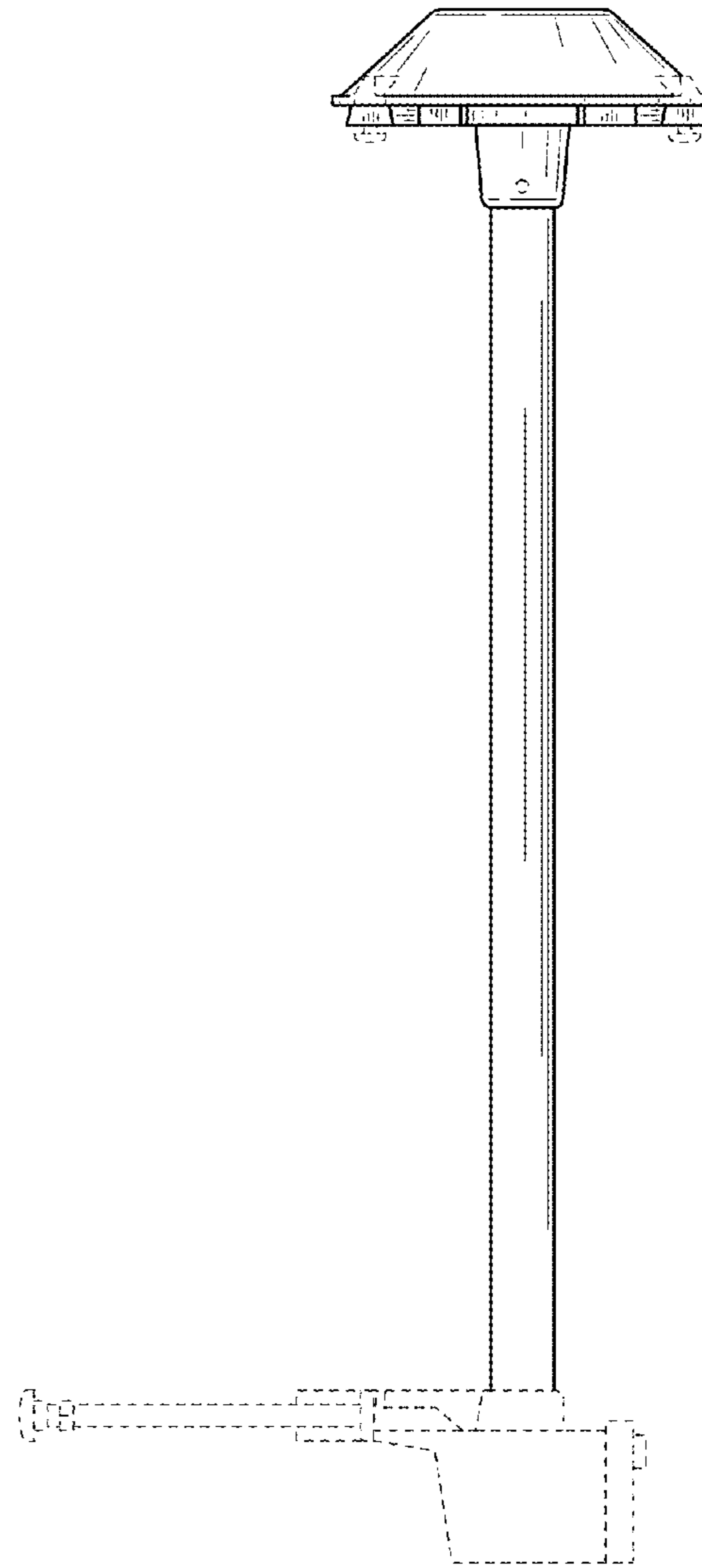


FIG. 5

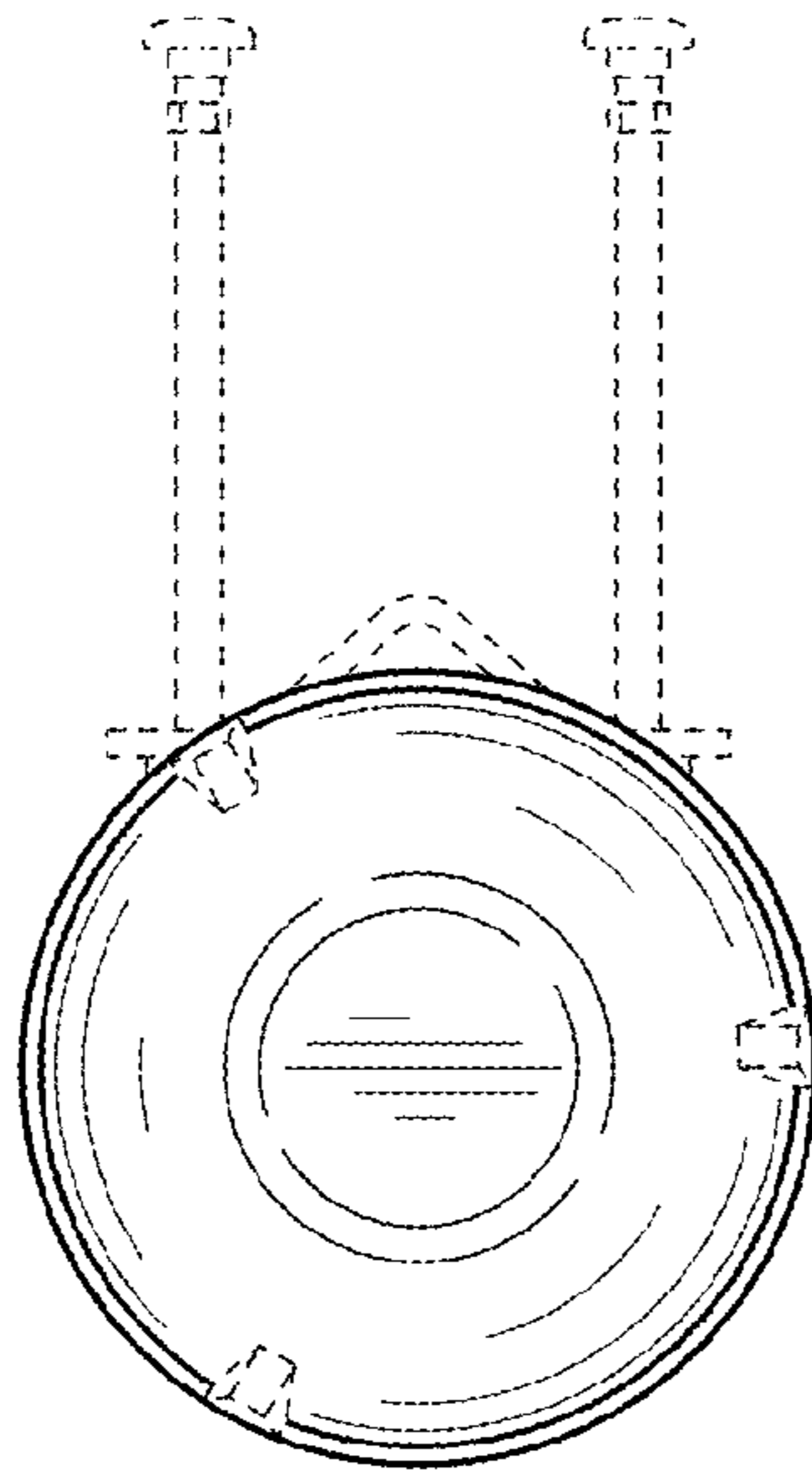


FIG. 6

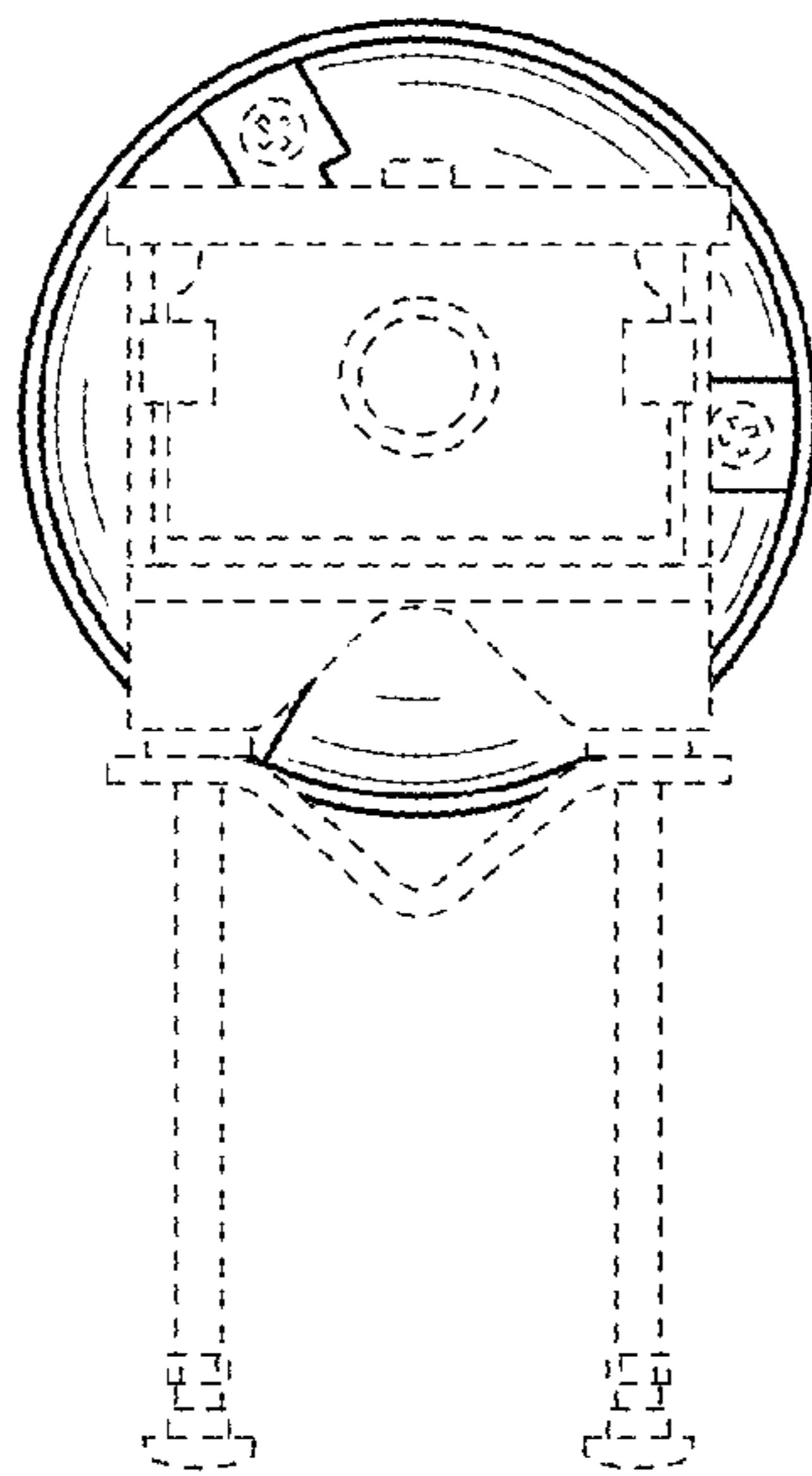


FIG. 7